



US00D663466S

(12) **United States Design Patent**
Rashidi

(10) **Patent No.:** **US D663,466 S**

(45) **Date of Patent:** **** Jul. 10, 2012**

- (54) **LED LIGHT WITH BAFFLE TRIM**
- (76) Inventor: **Hamid Rashidi**, Montebello, CA (US)
- (**) Term: **14 Years**
- (21) Appl. No.: **29/372,708**
- (22) Filed: **Dec. 30, 2010**
- (51) **LOC (9) Cl.** **26-05**
- (52) **U.S. Cl.** **D26/74**
- (58) **Field of Classification Search** D26/74,
D26/72, 113, 118, 133, 134, 136, 24, 59,
D26/63, 75, 76, 77, 78, 79, 80, 81, 82, 83,
D26/84, 85, 138; 362/126, 145, 146, 147,
362/148, 150, 151, 152, 153, 153.1, 218,
362/217.05, 217.06, 217.07, 294, 296.01,
362/296.07, 296.08, 311.01, 311.07, 311.09,
362/345, 364, 365, 366, 373; D23/379
See application file for complete search history.

(56) **References Cited**

U.S. PATENT DOCUMENTS

D320,862 S *	10/1991	Moeller et al.	D26/24
D326,537 S *	5/1992	Gattari	D26/74
D326,729 S *	6/1992	Gattari	D26/74
D573,294 S *	7/2008	Chan et al.	D26/74
D591,894 S *	5/2009	Flank	D26/74

D595,005 S *	6/2009	Chou	D26/74
D610,290 S *	2/2010	Yoshinobu et al.	D26/74
D610,291 S *	2/2010	Yoshinobu et al.	D26/74
D610,292 S *	2/2010	Yoshinobu et al.	D26/74
D631,588 S *	1/2011	Bergmann et al.	D26/63
D646,011 S *	9/2011	Rashidi	D26/74
D654,205 S *	2/2012	Rashidi	D26/74
2010/0061108 A1 *	3/2010	Zhang et al.	362/364

* cited by examiner

Primary Examiner — Angela J Lee

(74) *Attorney, Agent, or Firm* — Thomas I. Rozsa

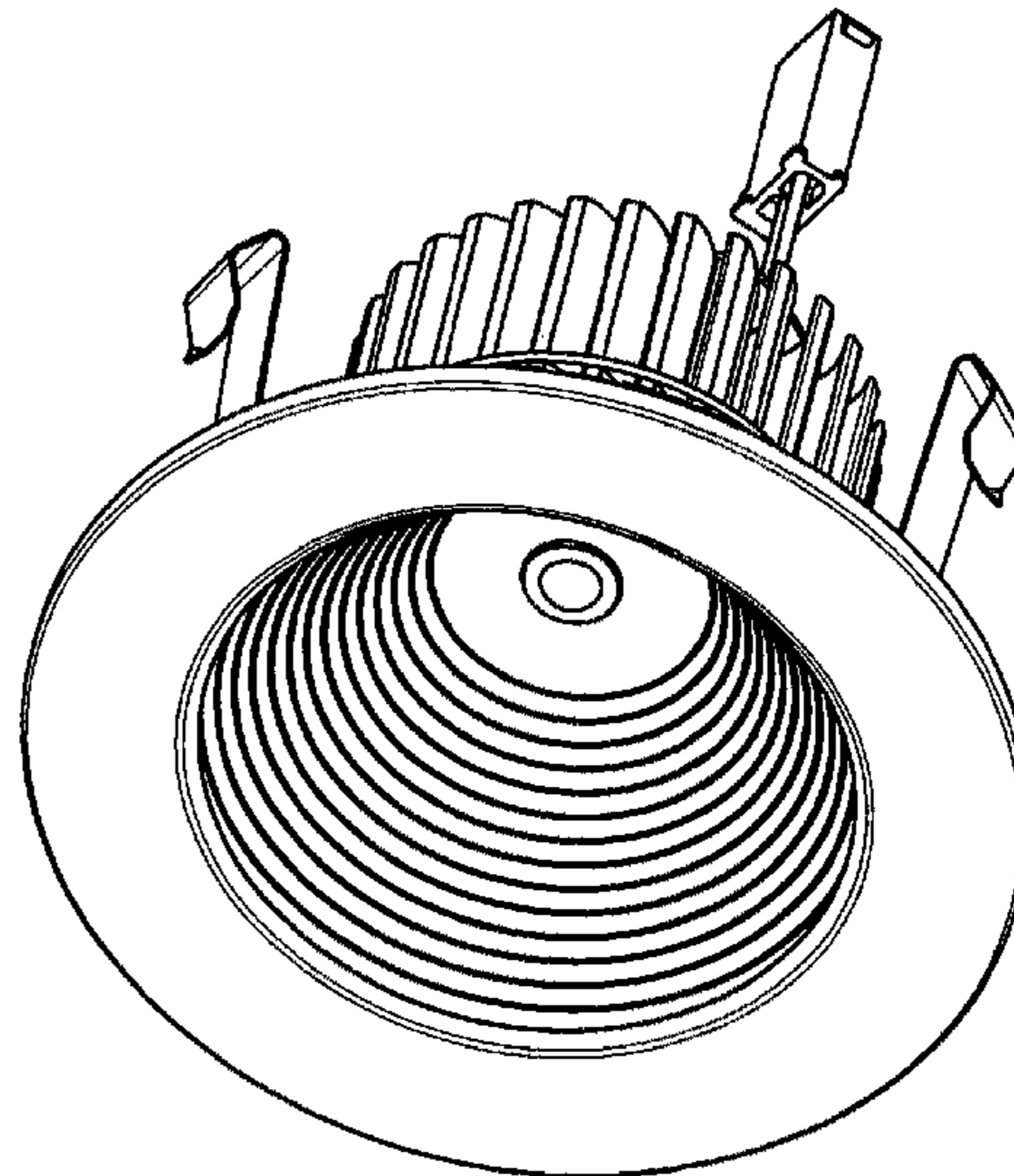
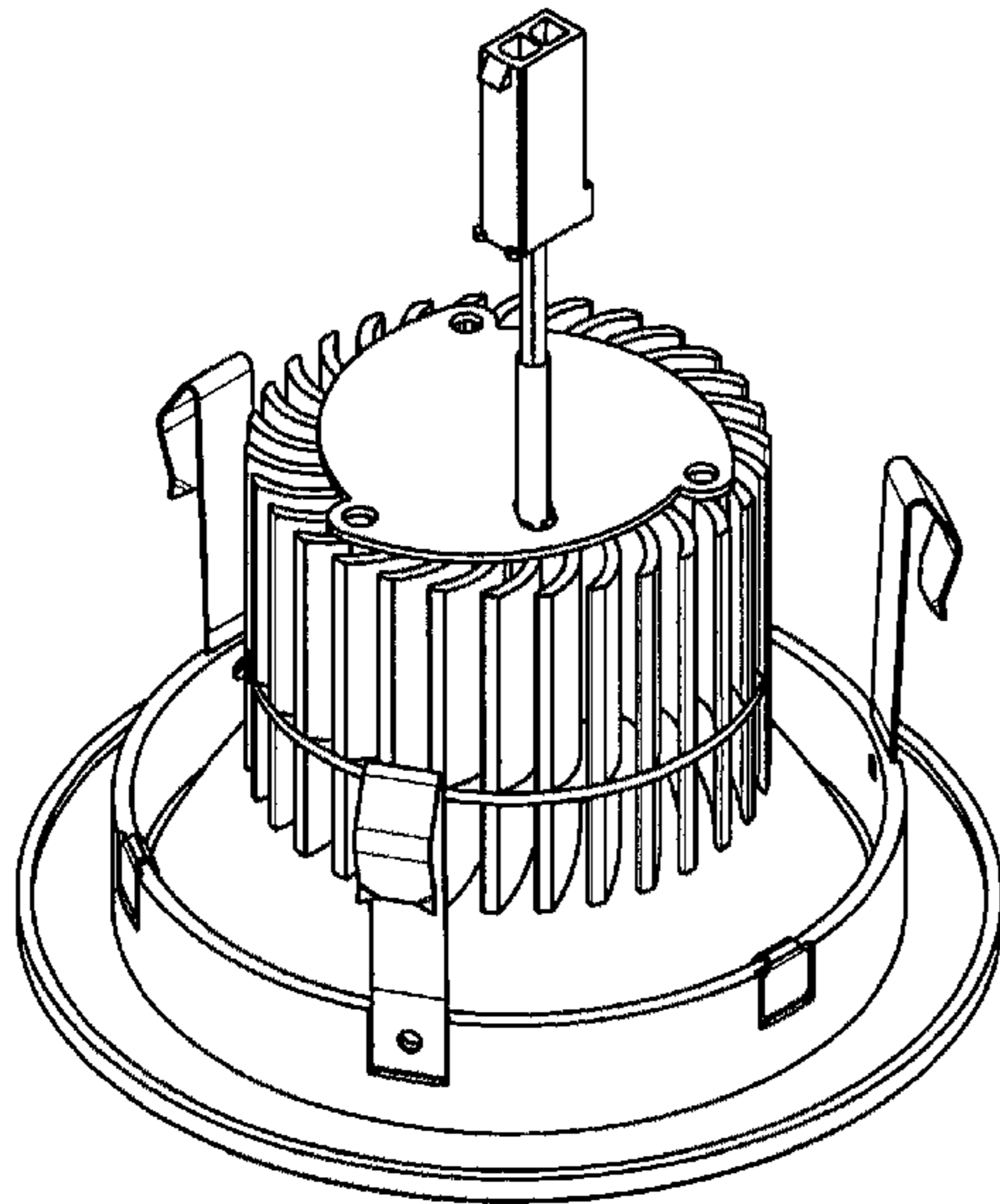
(57) **CLAIM**

The ornamental design for a LED light with baffle trim, as shown and described.

DESCRIPTION

FIG. 1 is a side perspective view of the embodiment of the LED light with baffle trim, showing my design;
 FIG. 2 is a right side elevational view thereof;
 FIG. 3 is a left side elevational view thereof;
 FIG. 4 is a front view thereof;
 FIG. 5 is a rear view thereof;
 FIG. 6 is a top view thereof;
 FIG. 7 is a bottom view thereof; and,
 FIG. 8 is a bottom perspective view thereof.

1 Claim, 8 Drawing Sheets



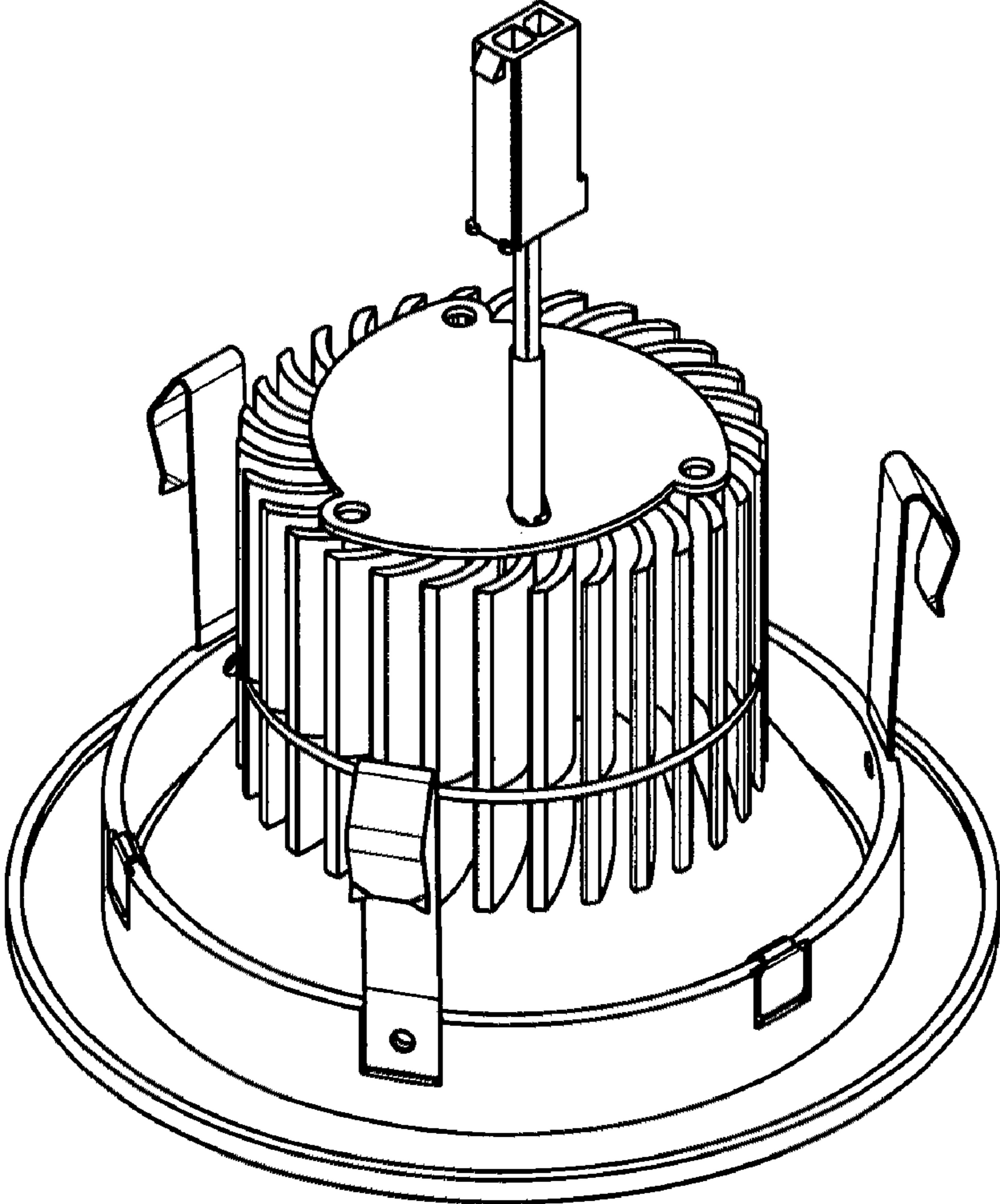


FIG.1

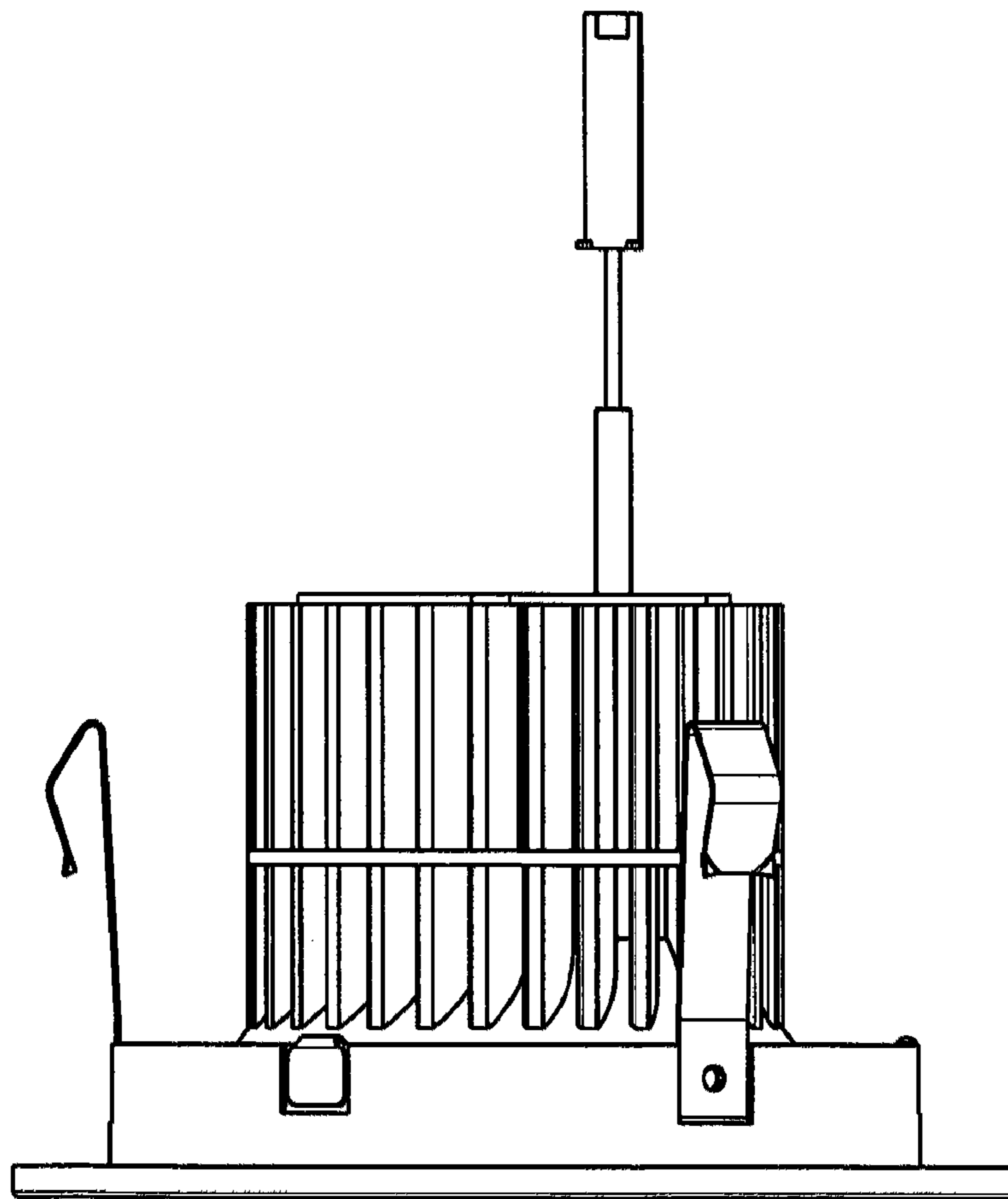


FIG. 2

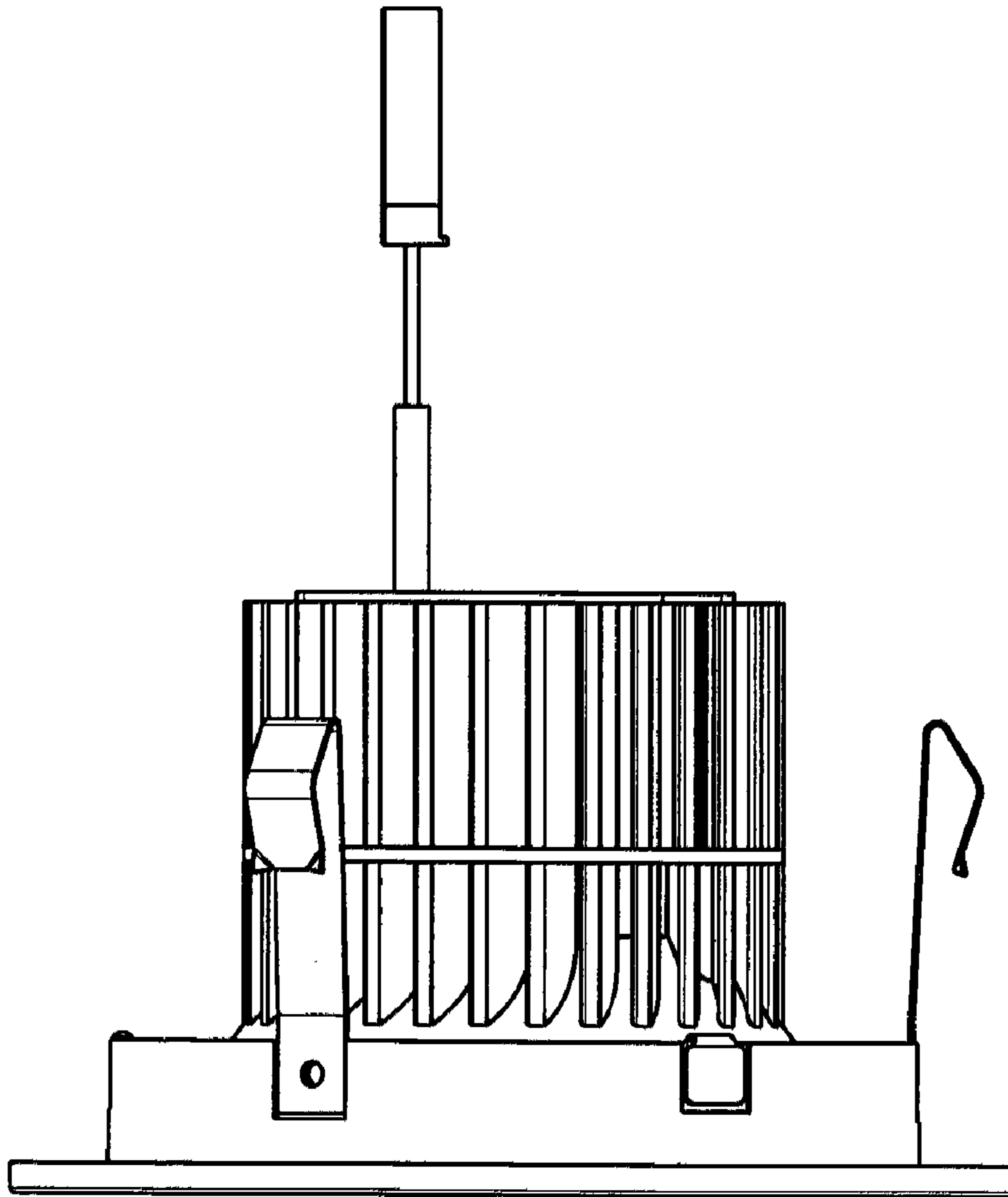


FIG. 3

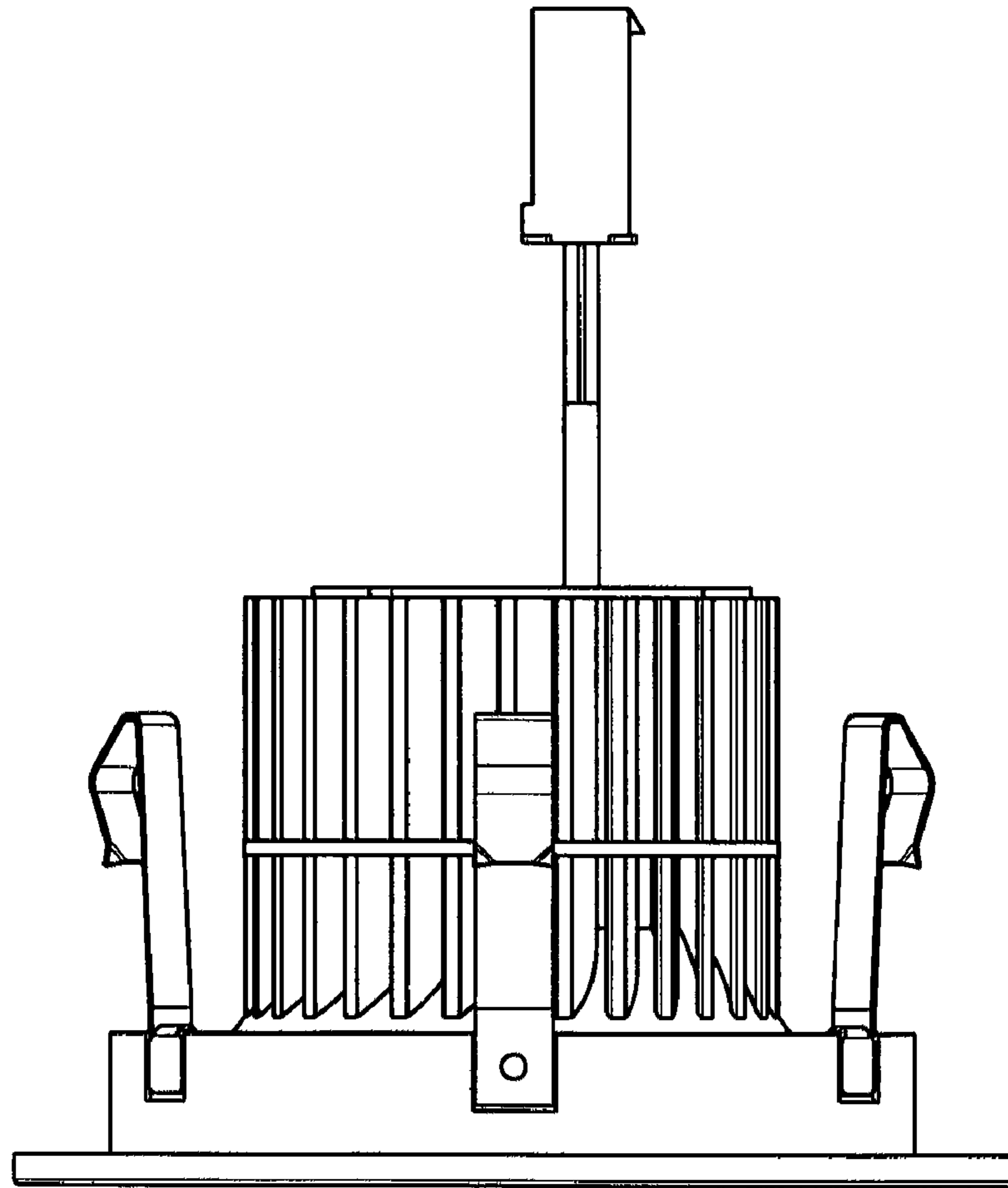


FIG. 4

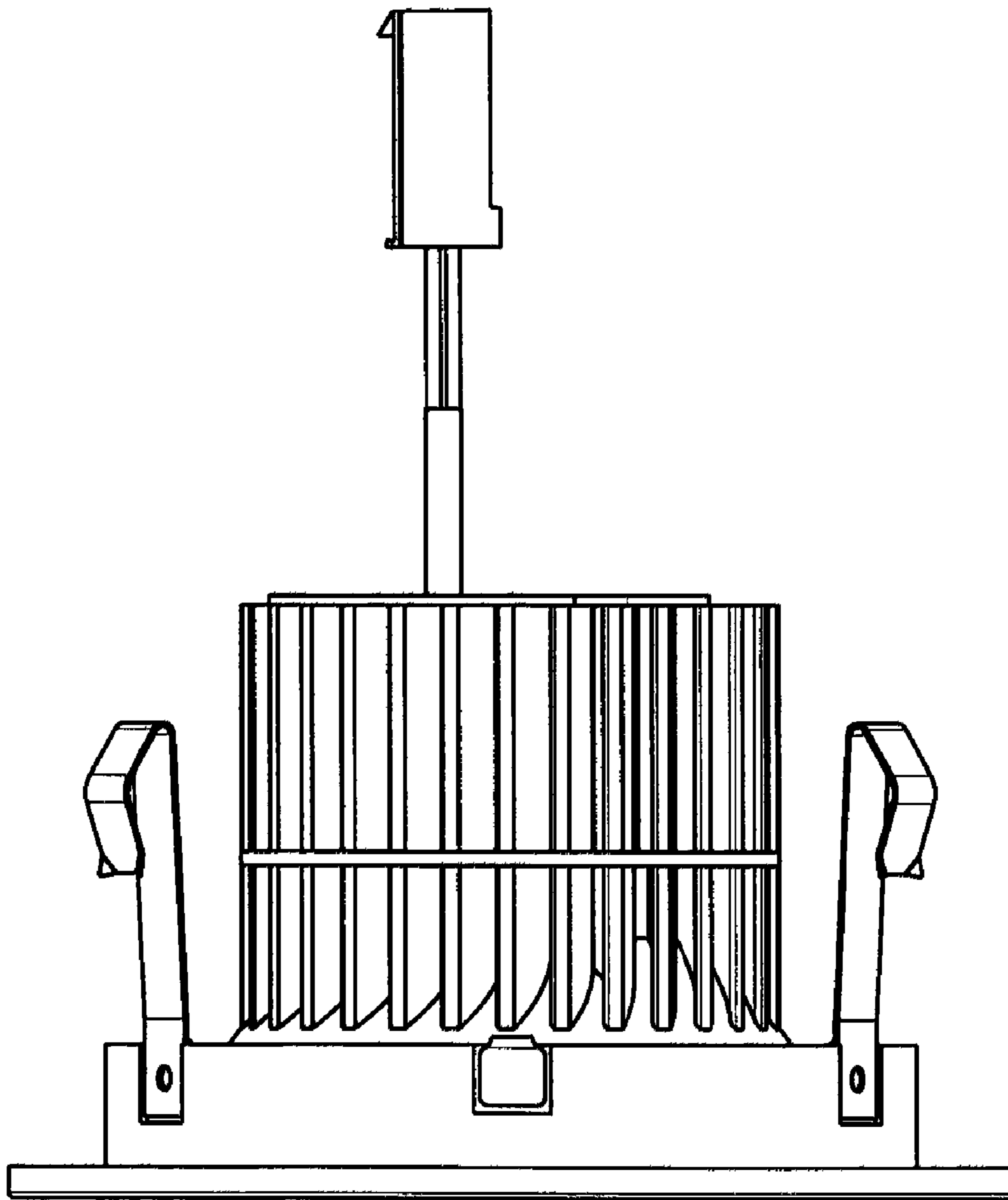


FIG. 5

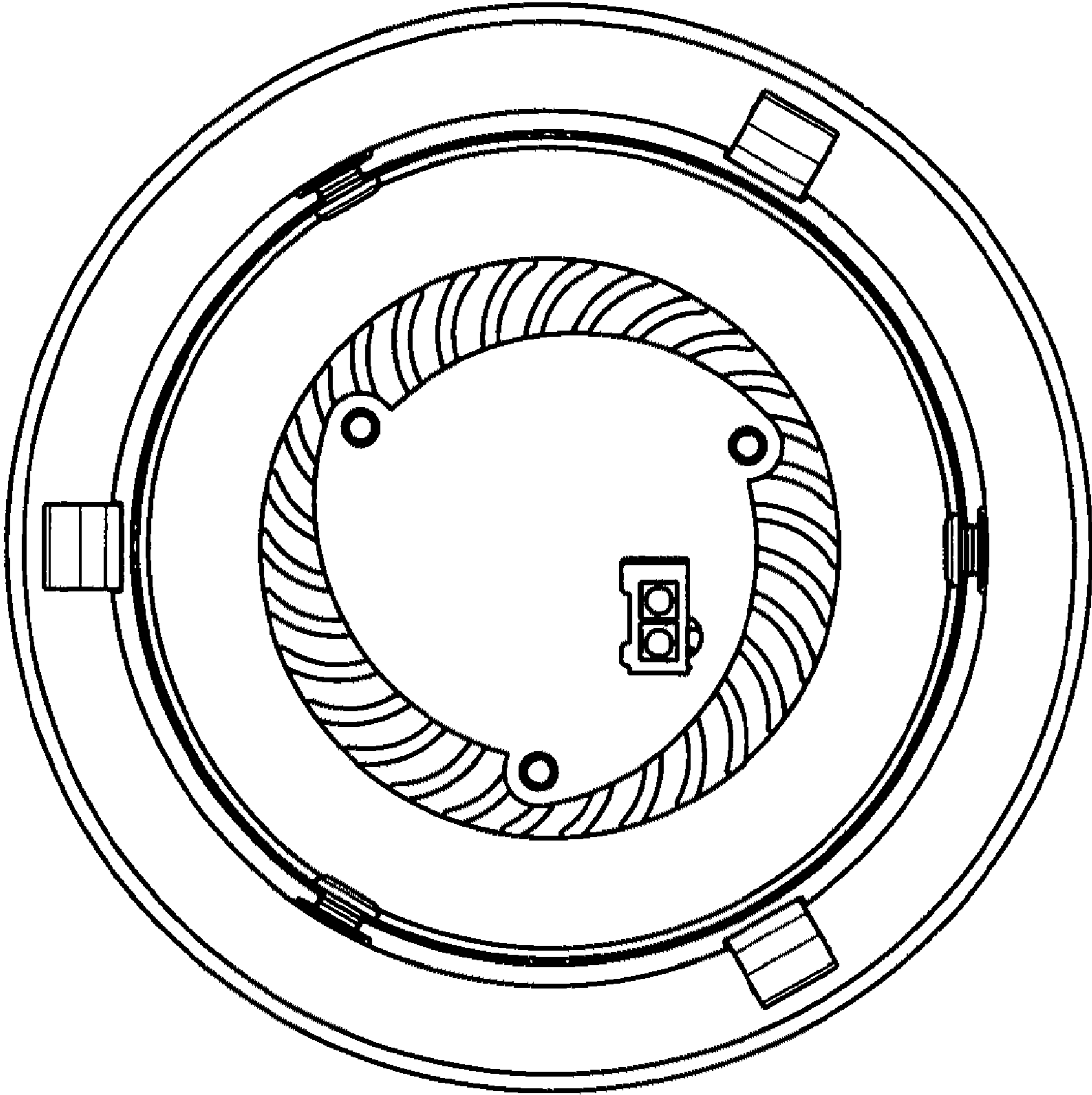


FIG. 6

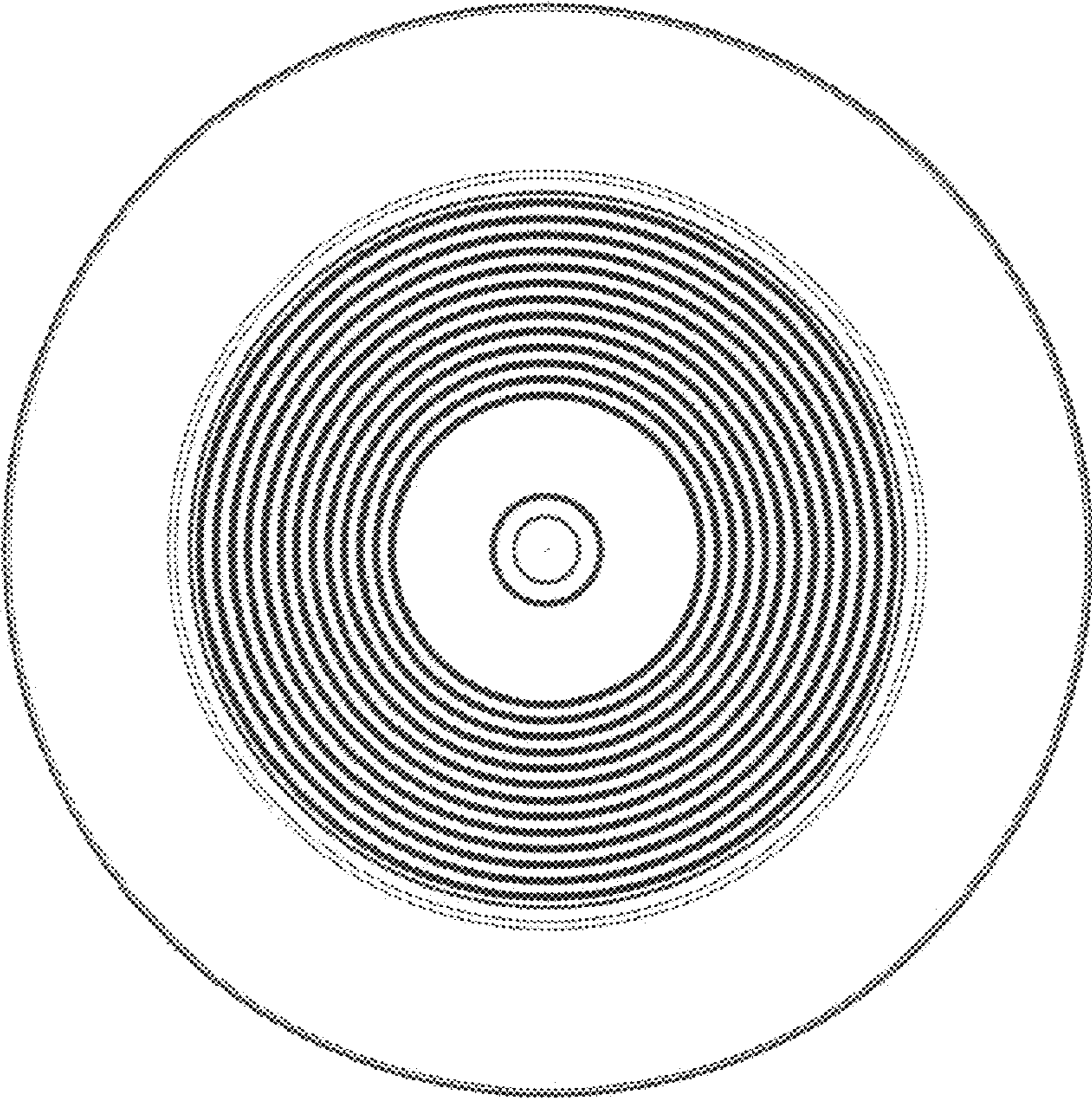


FIG. 7

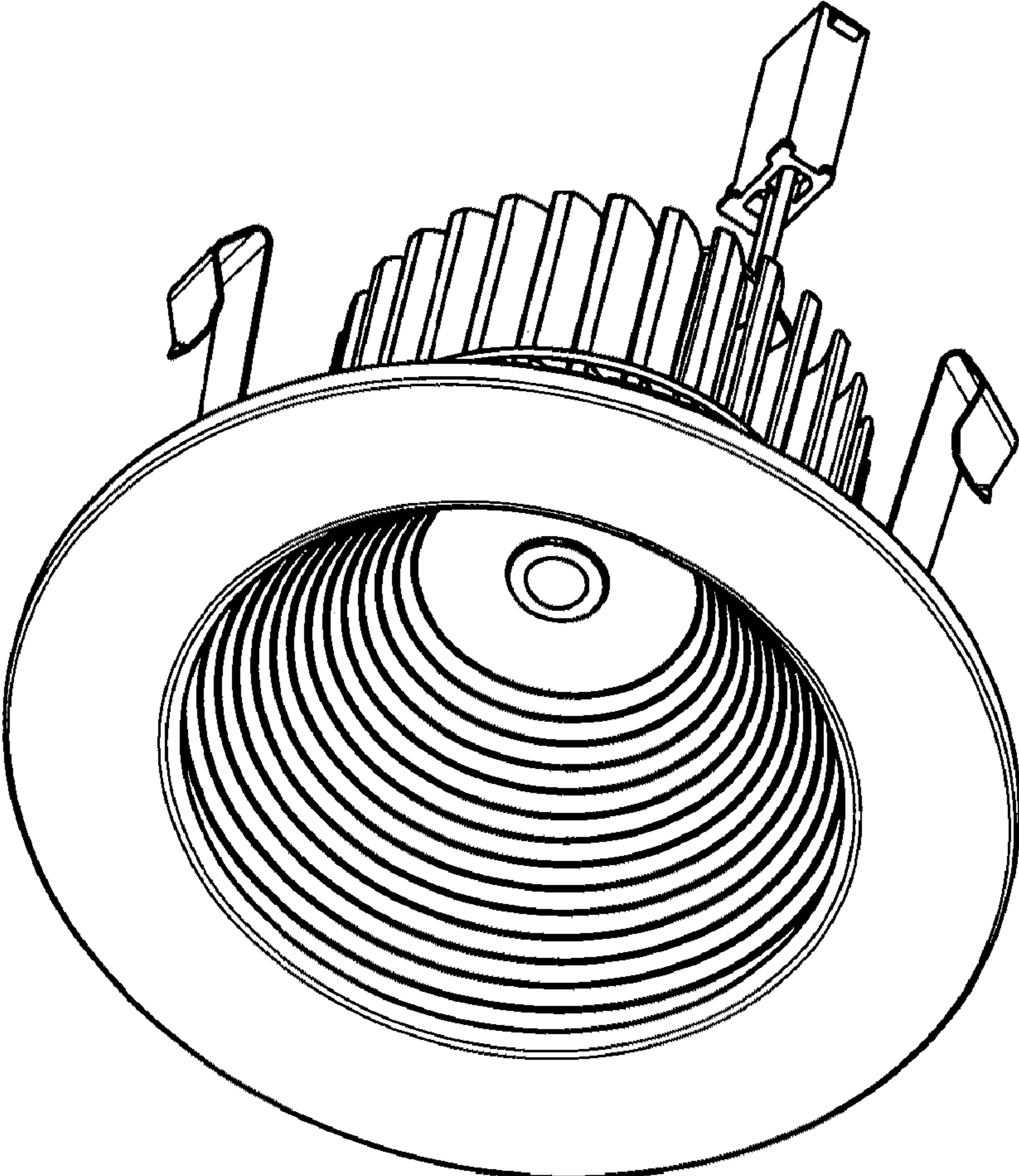


FIG. 8