



US00D663464S

(12) **United States Design Patent**
Lee

(10) **Patent No.:** **US D663,464 S**
(45) **Date of Patent:** **** Jul. 10, 2012**

(54) **LED LAMP**

(75) Inventor: **Meng-Yun Lee**, Taipei Hsien (TW)

(73) Assignee: **Edison Opto Corporation**, Taipei Hsien (TW)

(**) Term: **14 Years**

(21) Appl. No.: **29/384,035**

(22) Filed: **Jan. 26, 2011**

(51) **LOC (9) Cl.** **26-05**

(52) **U.S. Cl.** **D26/72**

(58) **Field of Classification Search** D26/67-72,
D26/85, 92, 119; 362/145, 183, 249.02,
362/249.03, 249.04, 249.06, 249.16, 231,
362/431

See application file for complete search history.

(56) **References Cited**

U.S. PATENT DOCUMENTS

D163,812 S *	7/1951	Mehr	D26/72
D167,080 S *	6/1952	Huegel	D26/88
D210,015 S *	1/1968	Kahn	D22/123
D212,708 S *	11/1968	Mayer	D26/86
D215,068 S *	8/1969	Kostritsky	D26/67
D257,065 S *	9/1980	Silvestris	D26/72
D436,211 S *	1/2001	Neeld et al.	D26/85
D450,406 S *	11/2001	Knappstein	D26/72
D528,694 S *	9/2006	Barozzini	D26/72
D604,006 S *	11/2009	Silver	D26/88

D625,455 S *	10/2010	Sonneman	D26/85
D627,502 S *	11/2010	Zheng et al.	D26/72
2009/0147518 A1 *	6/2009	Shuai et al.	362/249.02

* cited by examiner

Primary Examiner — Clare E Heflin

(74) *Attorney, Agent, or Firm* — Rosenberg, Klein & Lee

(57) **CLAIM**

The ornamental design for an LED lamp, as shown and described.

DESCRIPTION

FIG. 1 is a top perspective view of an LED lamp showing my new design;

FIG. 2 is a front elevational view thereof.

FIG. 3 is a rear elevational view thereof.

FIG. 4 is a left side elevational view thereof.

FIG. 5 is a right side elevational view thereof.

FIG. 6 is a top plan view thereof;

FIG. 7 is a bottom plan view thereof;

FIG. 8 is a bottom perspective view thereof;

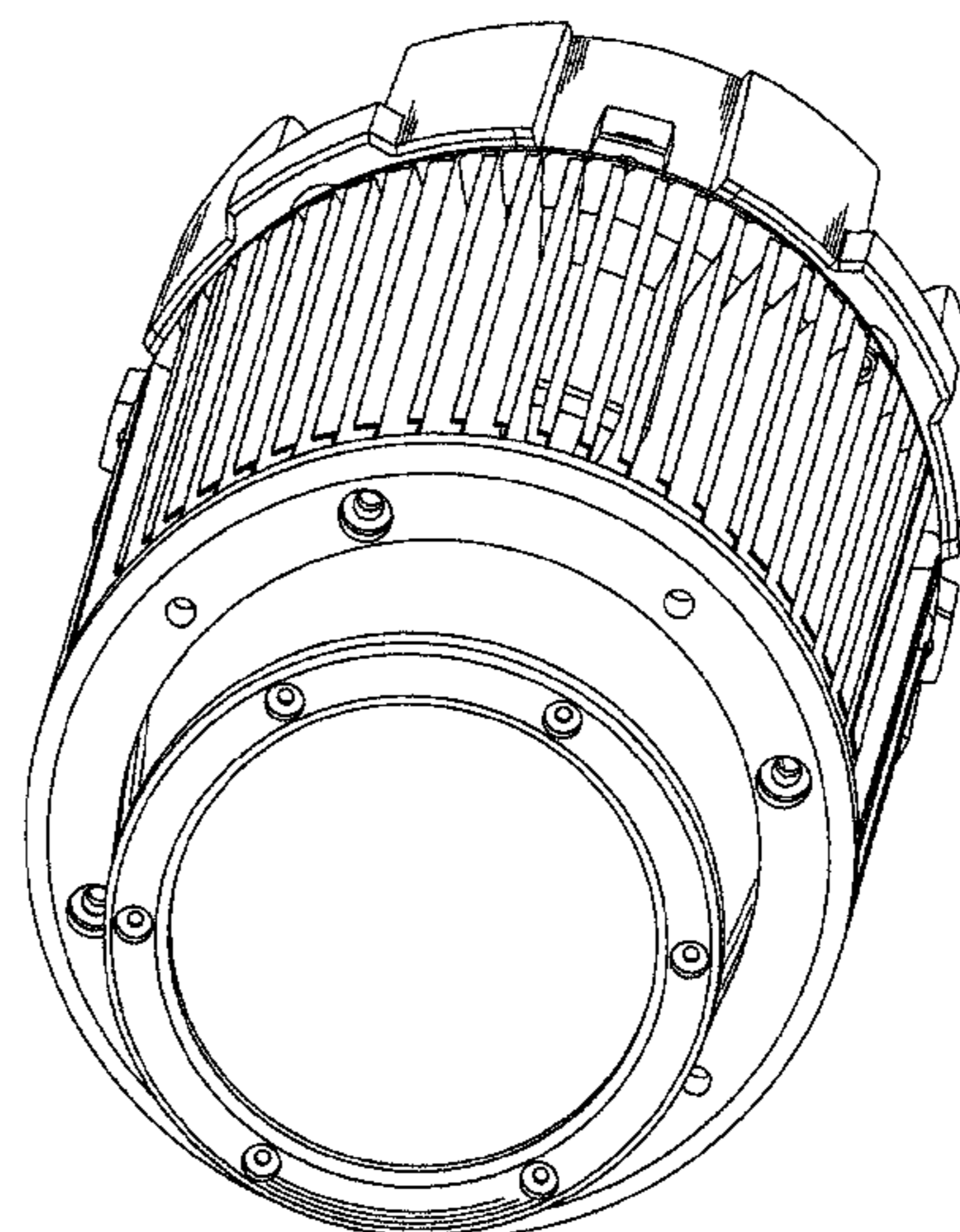
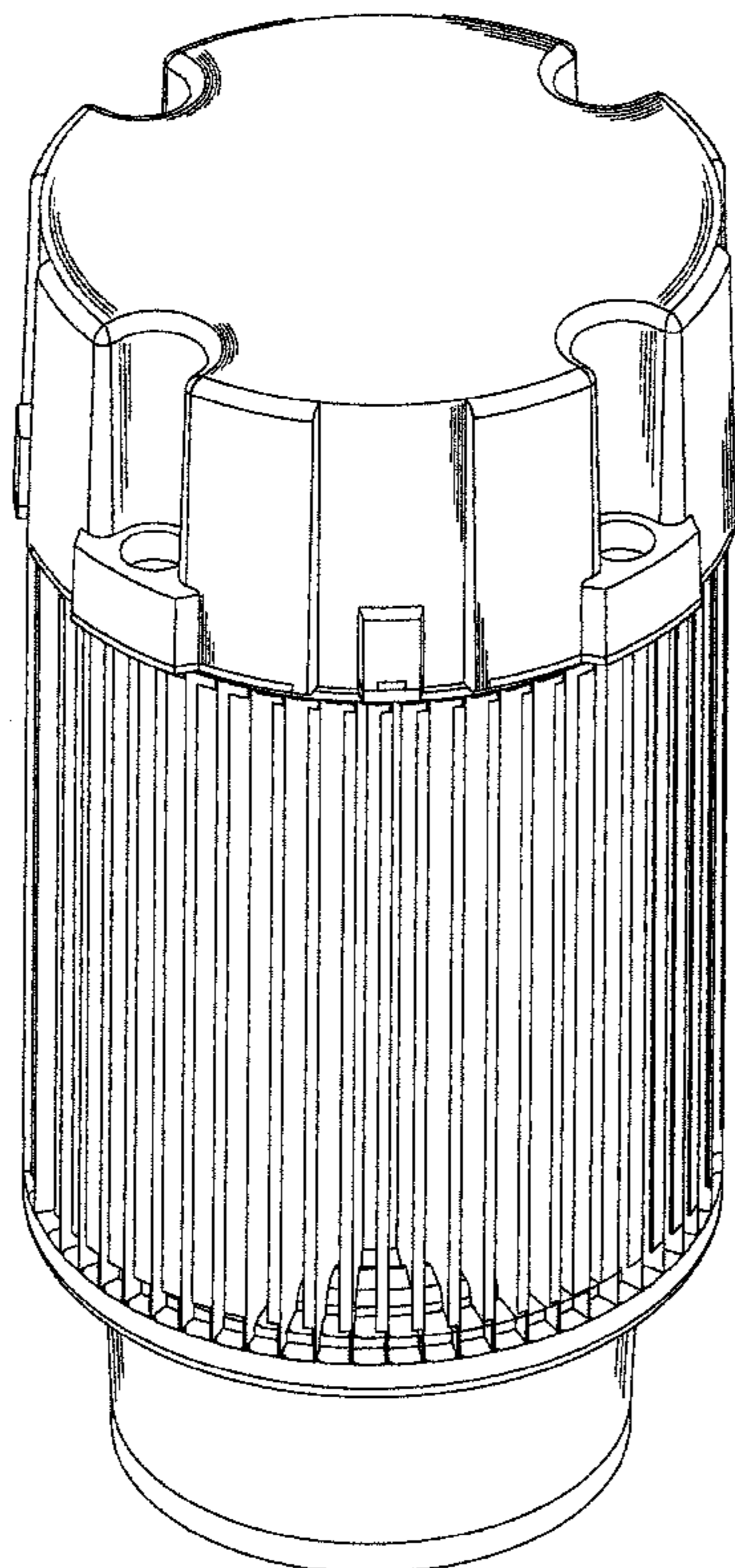
FIG. 9 is a top perspective view showing the LED lamp with a suspension ring and double bolt fastener;

FIG. 10 is a top perspective view showing the LED lamp with a two-string suspension and a double bolt fastener; and,

FIG. 11 is a top perspective view showing the LED lamp with a single rod suspension and a double bolt fastener.

The broken lines shown on the drawings depict various suspension means and double bolt fasteners, which form no part of the claimed design.

1 Claim, 11 Drawing Sheets



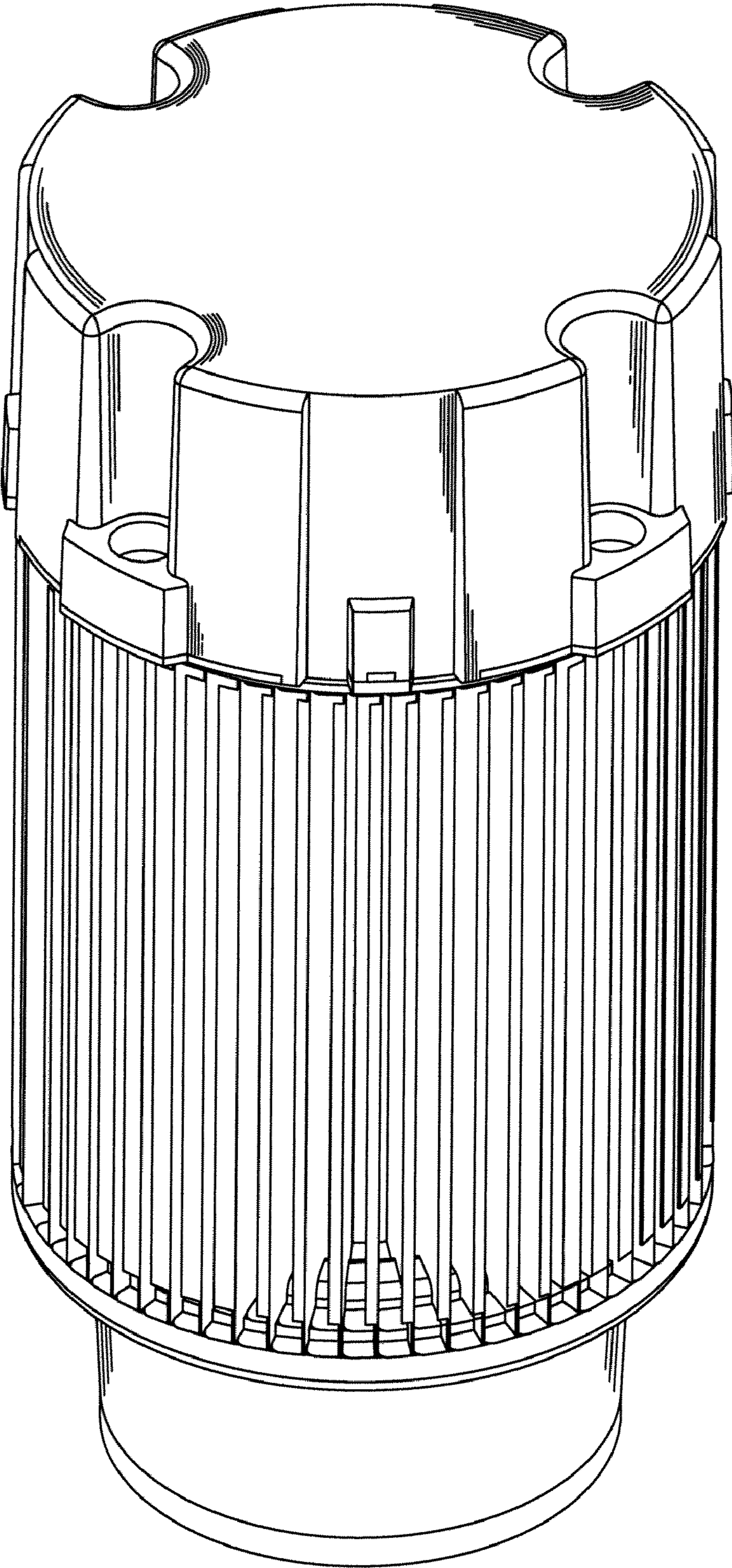


FIG. 1

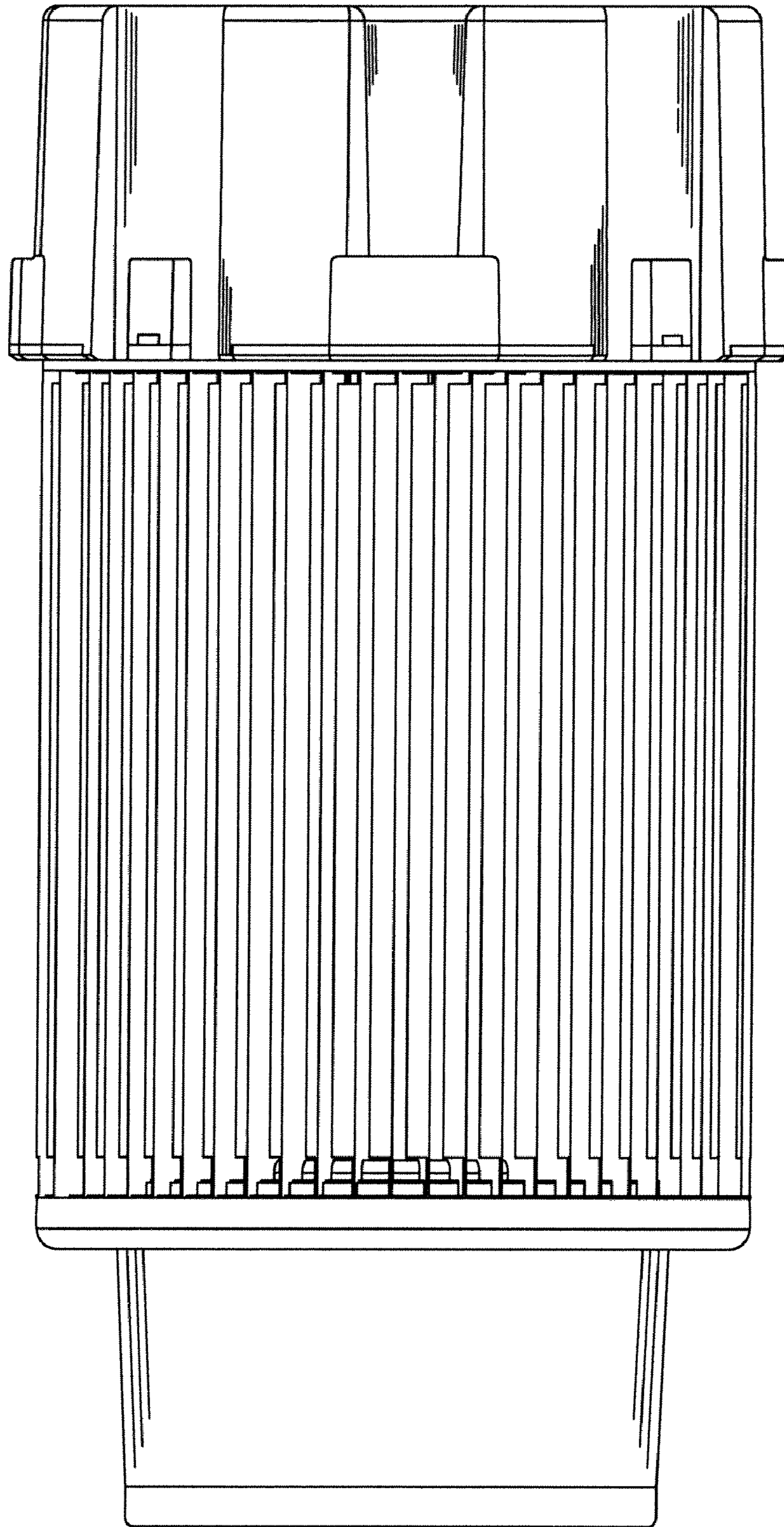


FIG.2

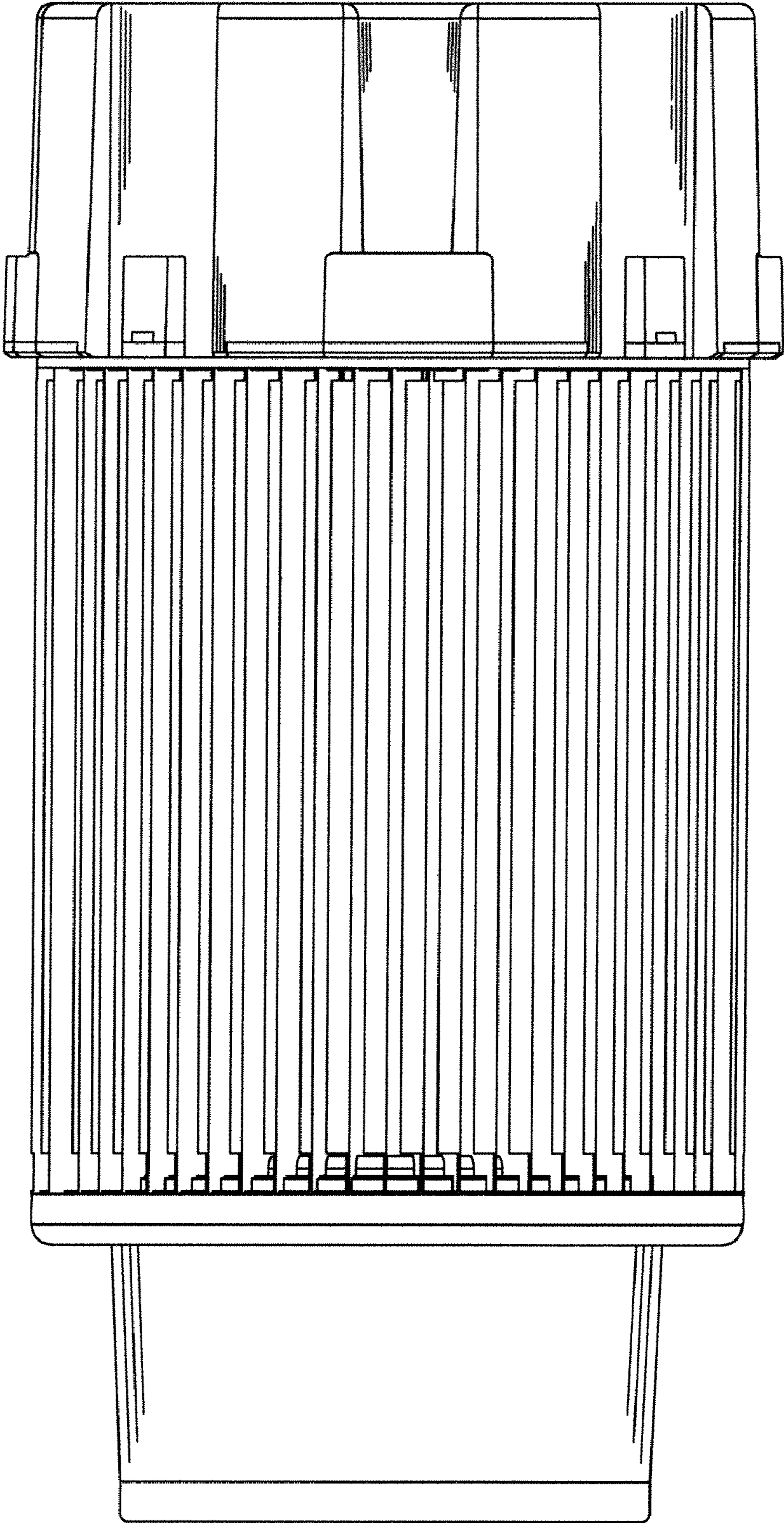


FIG.3

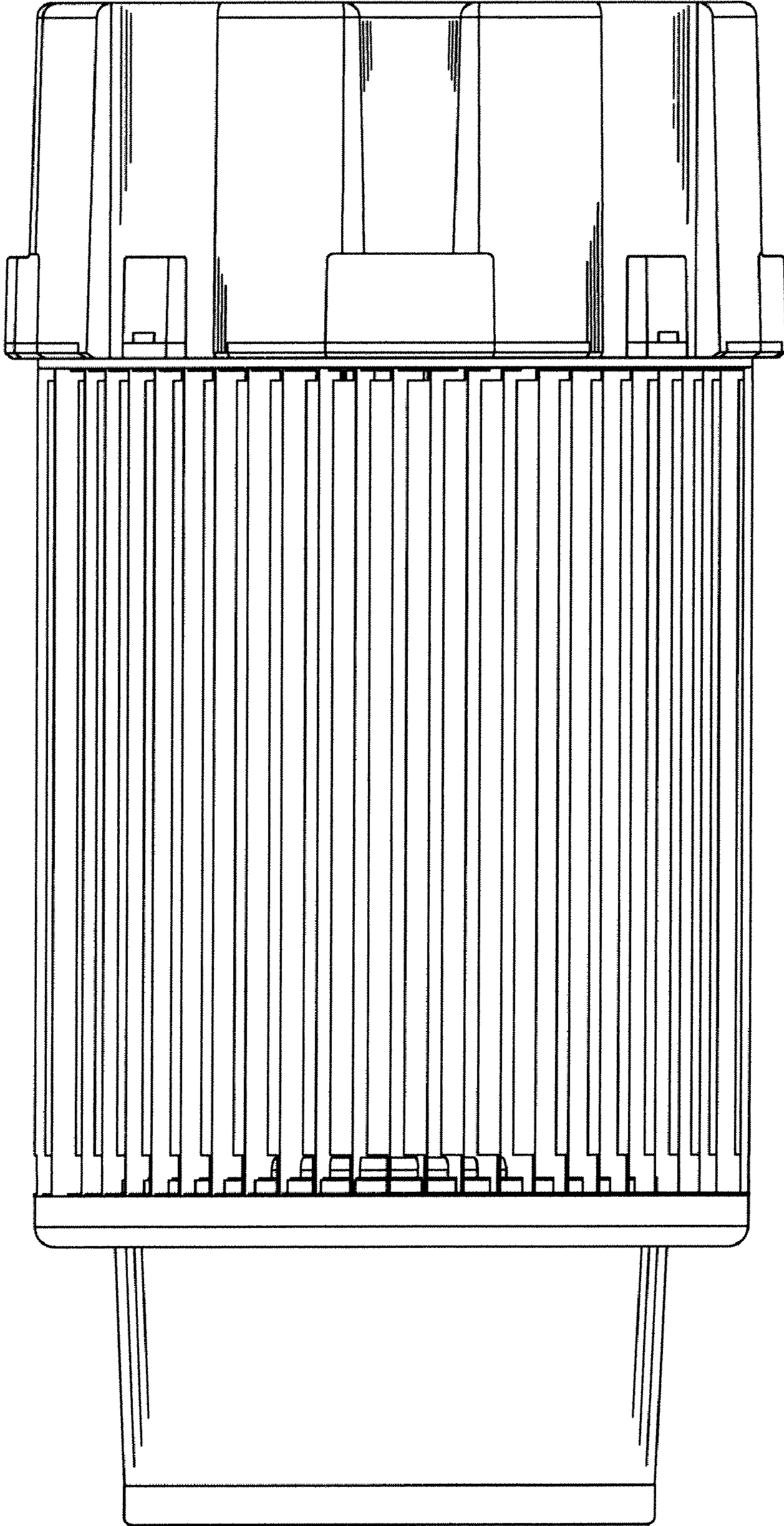


FIG.4

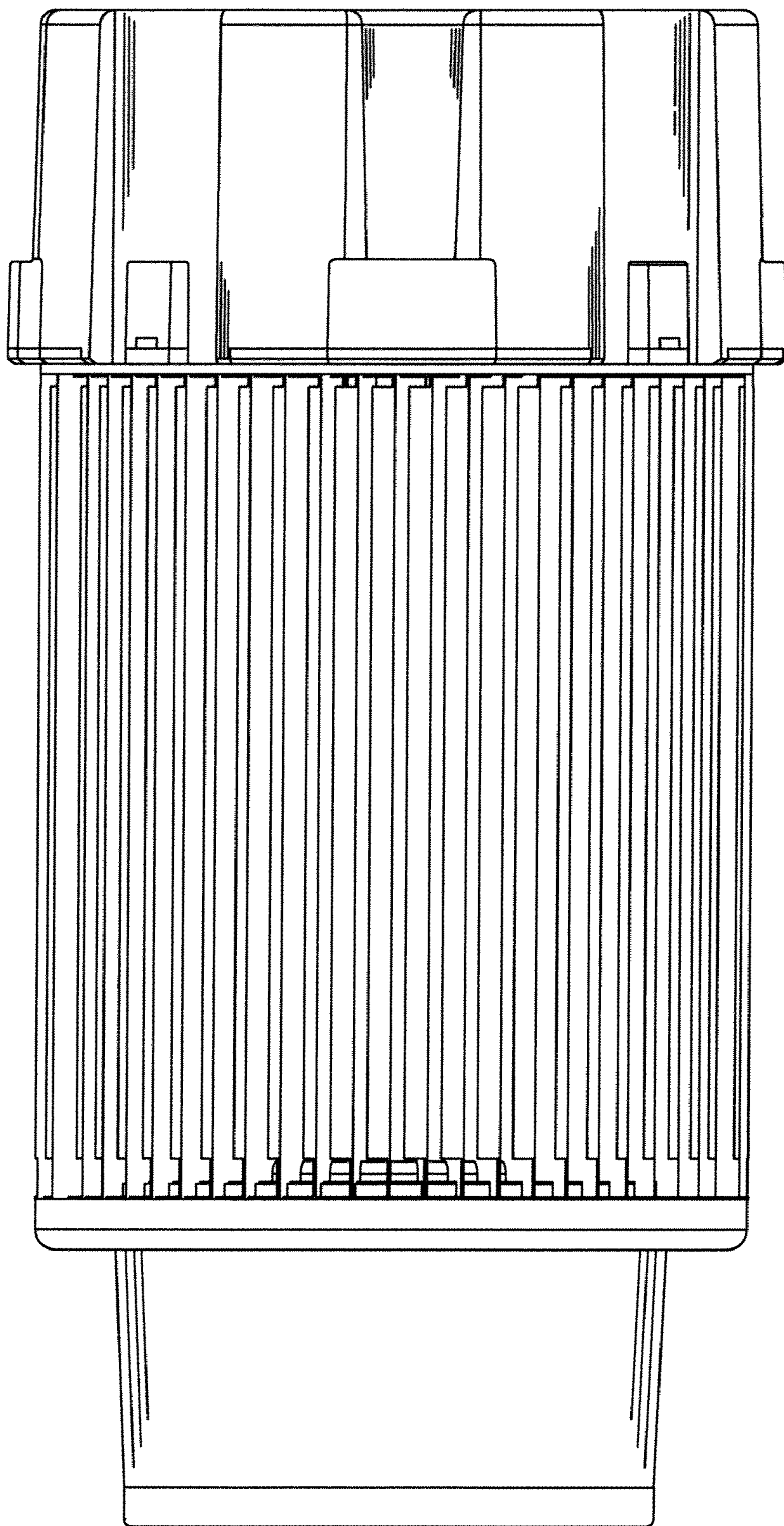


FIG.5

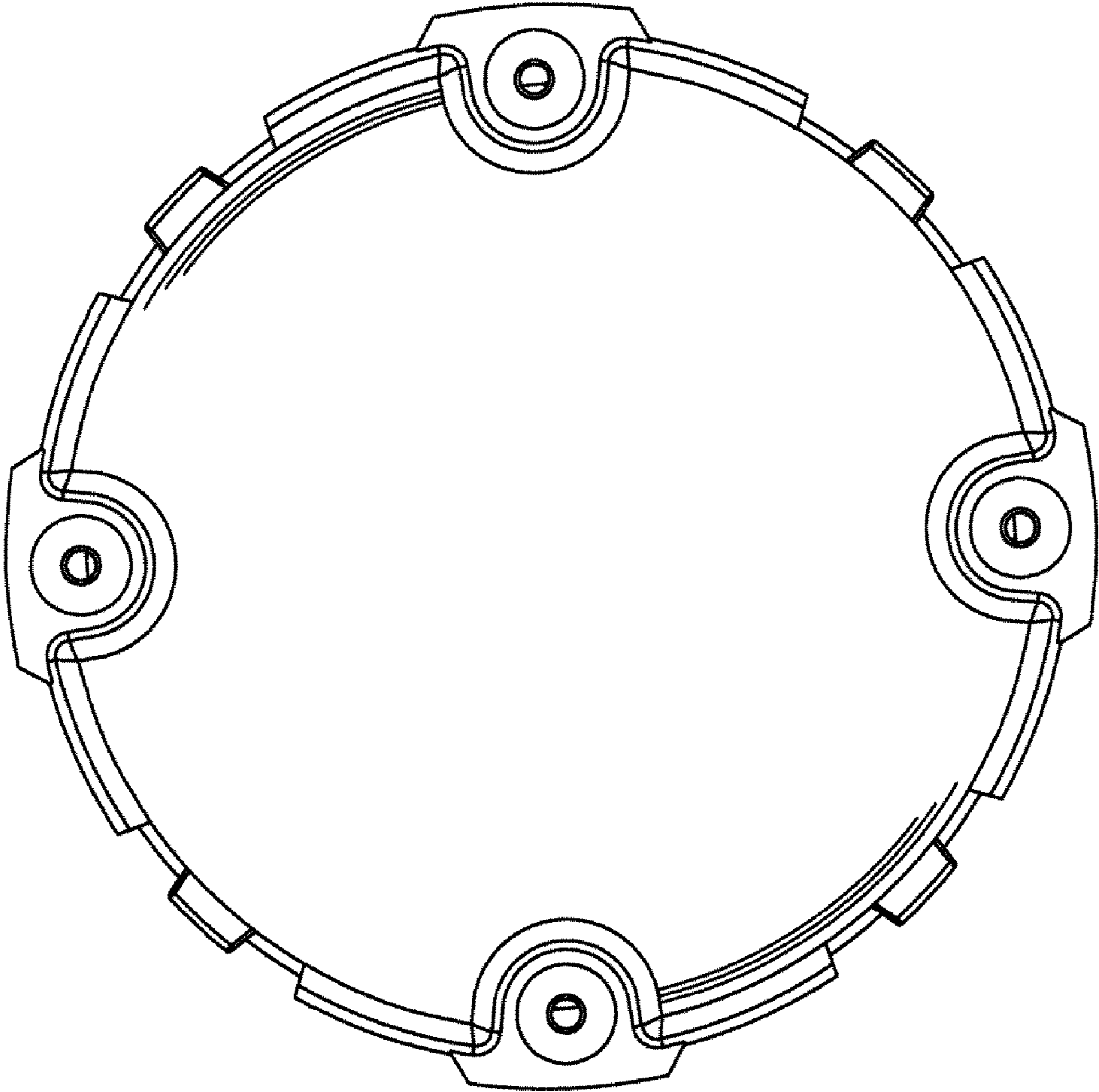


FIG.6

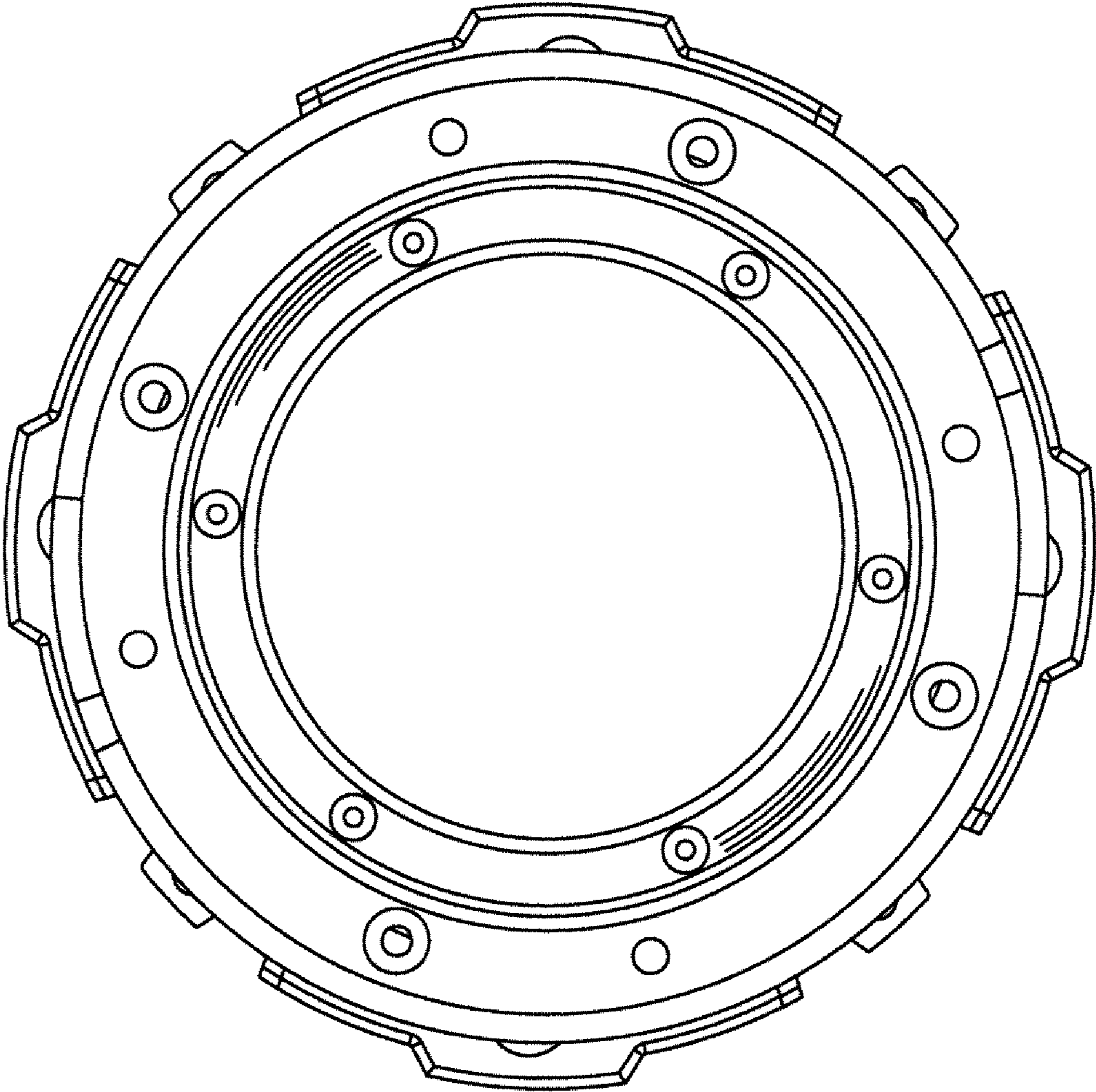


FIG. 7

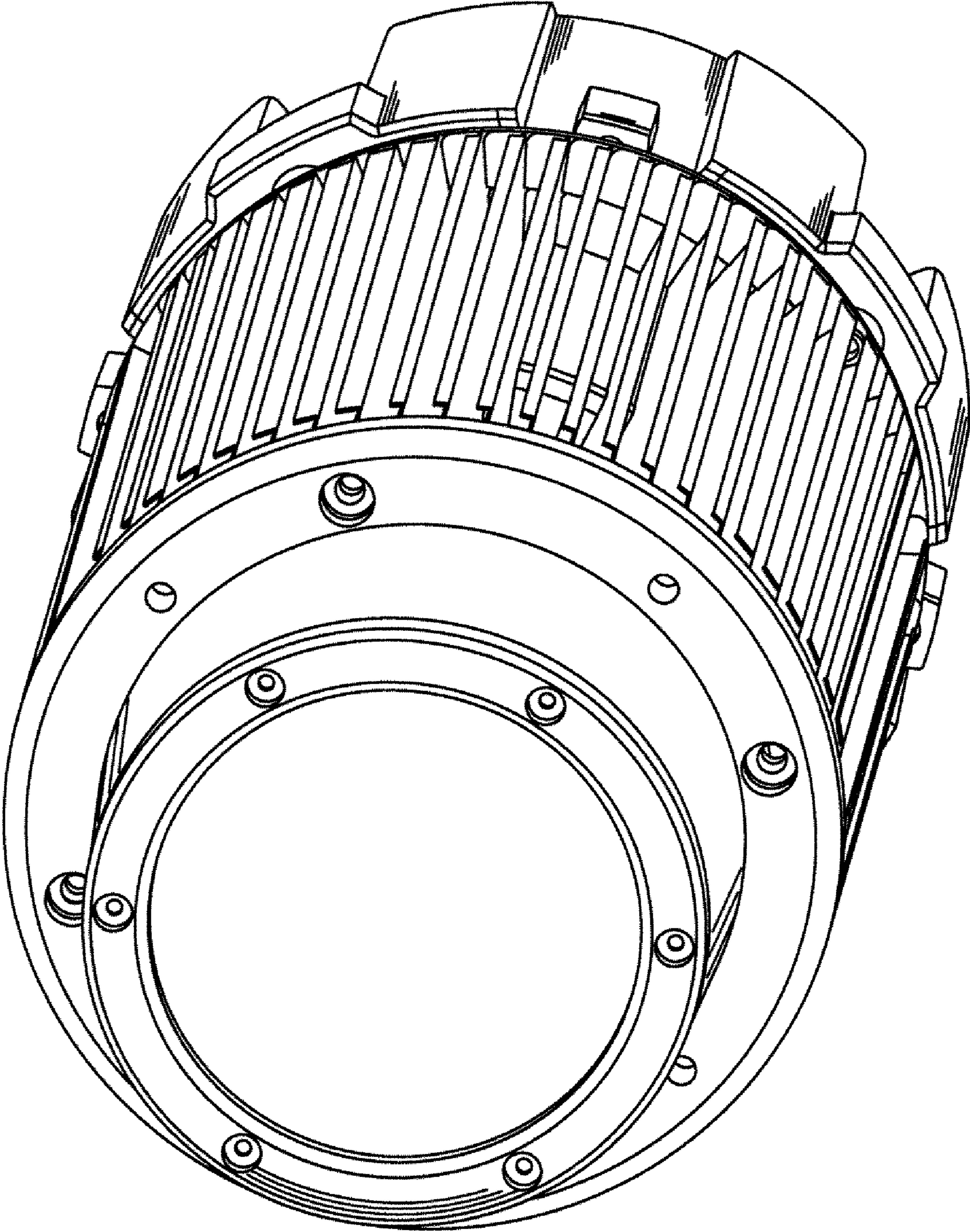


FIG.8

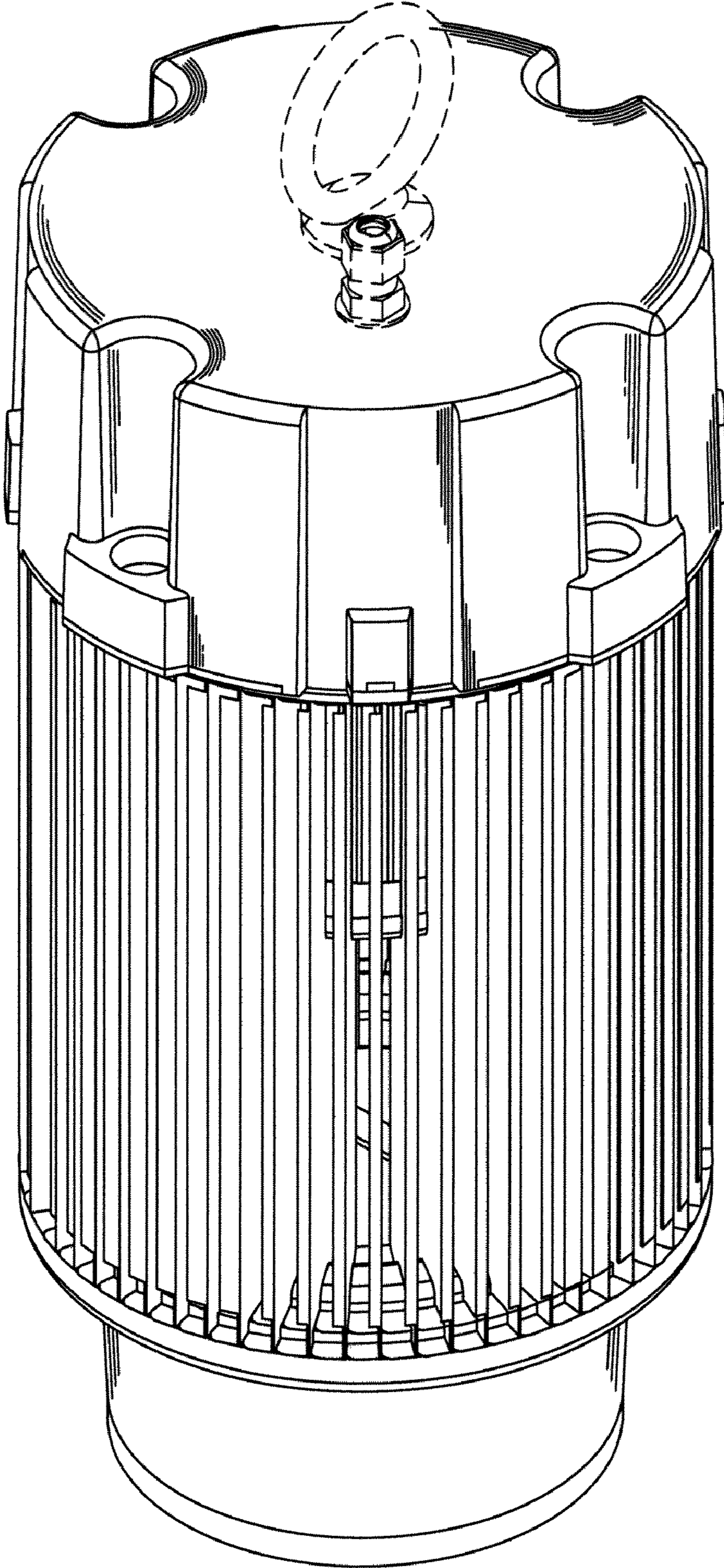


FIG. 9

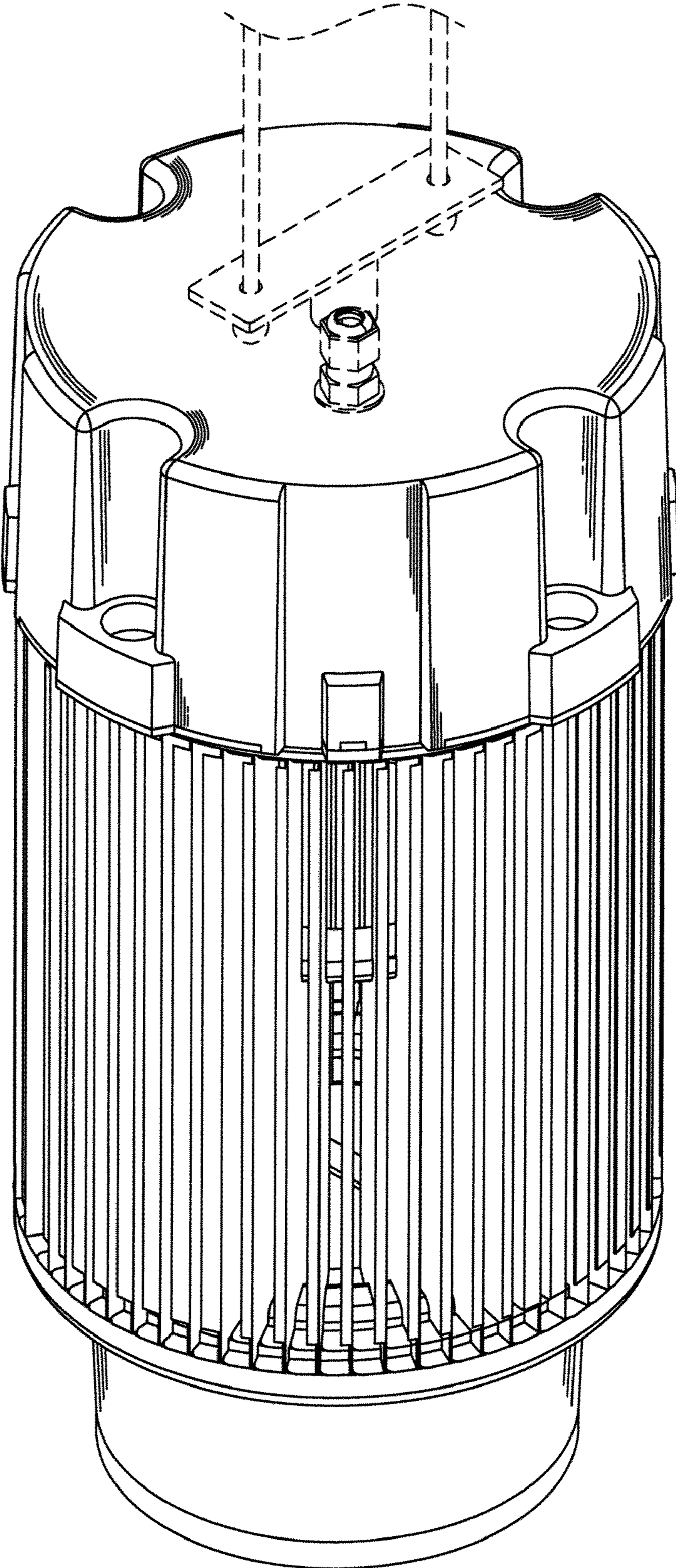


FIG. 10

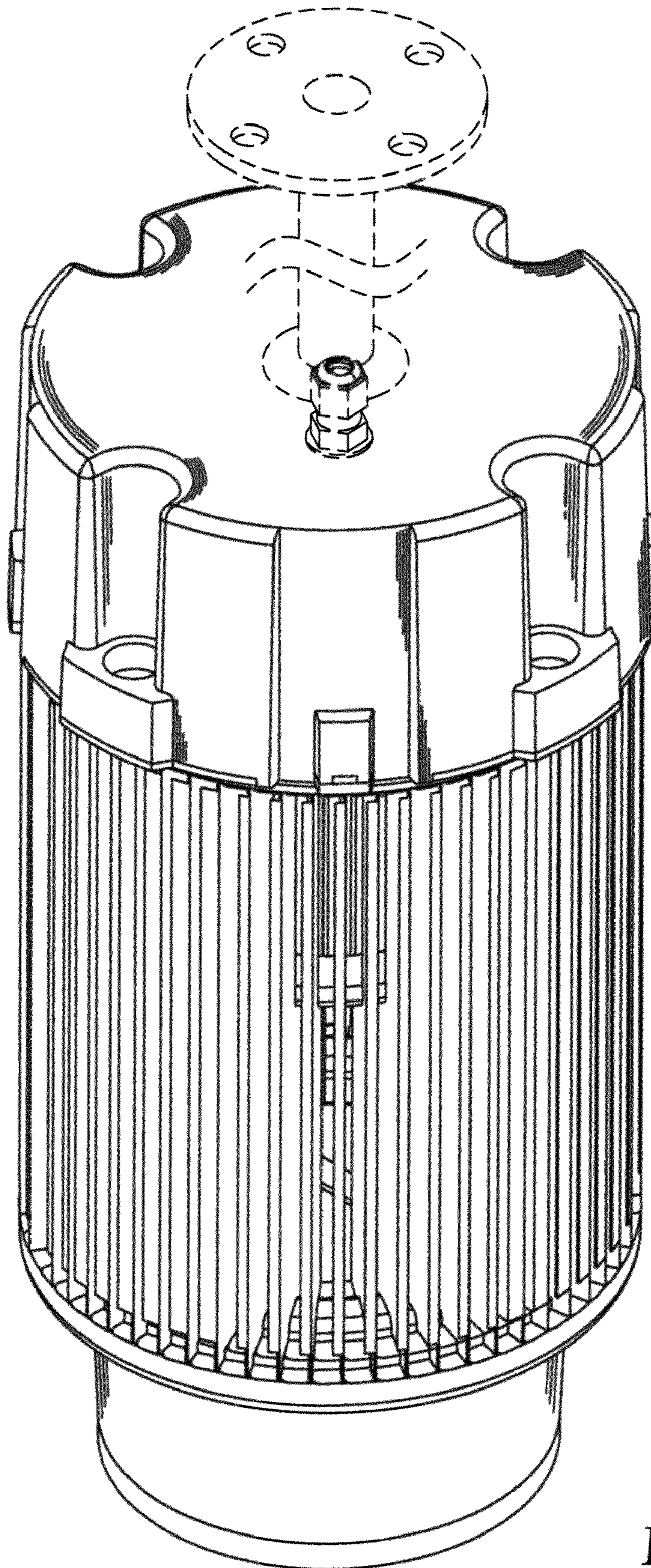


FIG.11