



US00D663463S

(12) **United States Design Patent**
Lee et al.

(10) **Patent No.:** **US D663,463 S**

(45) **Date of Patent:** **** Jul. 10, 2012**

(54) **OUTDOOR LIGHT FIXTURE**

(75) Inventors: **Po Sum Lee**, North Point (CN); **Jack Lockhart**, Birmingham, AL (US); **Brandon Kyle Gleaton**, Dallas, TX (US)

(73) Assignee: **J. Baxter Brinkmann International Corporation**, Dallas, TX (US)

(**) Term: **14 Years**

(21) Appl. No.: **29/394,557**

(22) Filed: **Jun. 17, 2011**

(51) **LOC (9) Cl.** **26-05**

(52) **U.S. Cl.** **D26/71; D26/68**

(58) **Field of Classification Search** D26/67-71,
D26/85, 92, 107; 362/147, 157, 183, 186,
362/431, 432

See application file for complete search history.

(56) **References Cited**

U.S. PATENT DOCUMENTS

D187,814 S *	5/1960	Thurston	D26/107
D205,719 S *	9/1966	Pettengill	D26/69
D231,680 S *	5/1974	Keller	D26/68
D354,367 S *	1/1995	Harrington	D26/68
D377,399 S *	1/1997	Kay	D26/68
D416,350 S	11/1999	Porter	
D425,645 S *	5/2000	Giese et al.	D26/68
D428,180 S *	7/2000	Orellana et al.	D26/67
D451,227 S *	11/2001	Orellana et al.	D26/67
D462,134 S	8/2002	Cheong	
D494,698 S *	8/2004	Hon et al.	D26/67
6,799,869 B1	10/2004	Beadle	
D559,422 S *	1/2008	Sooferian	D26/68
D615,688 S *	5/2010	Chen	D26/68
D625,453 S *	10/2010	Morton et al.	D26/68

OTHER PUBLICATIONS

Dabmar Green Pith Helmet Landscape Path Light, at Internet website <http://www.amazon.com>, printed Sep. 28, 2010 (1 pg.).

Dabmar Copper Finish Bell Landscape Path Light, at Internet website <http://www.lampsplus.com>, printed Sep. 28, 2010 (1 pg.).

Garden light, from Home Lighting & Accessories catalog, dated Jun. 1997, p. 143.

Various garden lights, from catalogs, undated (6 pgs.).

* cited by examiner

Primary Examiner — Clare E Heflin

(74) *Attorney, Agent, or Firm* — Sheppard, Mullin, Richter & Hampton LLP

(57) **CLAIM**

We claim the ornamental design for an outdoor light fixture, as shown and described.

DESCRIPTION

FIG. 1 is a perspective view of the outdoor light fixture showing the new design;

FIG. 2 is a front elevational view thereof;

FIG. 3 is a rear elevational view thereof;

FIG. 4 is a left side elevational view thereof;

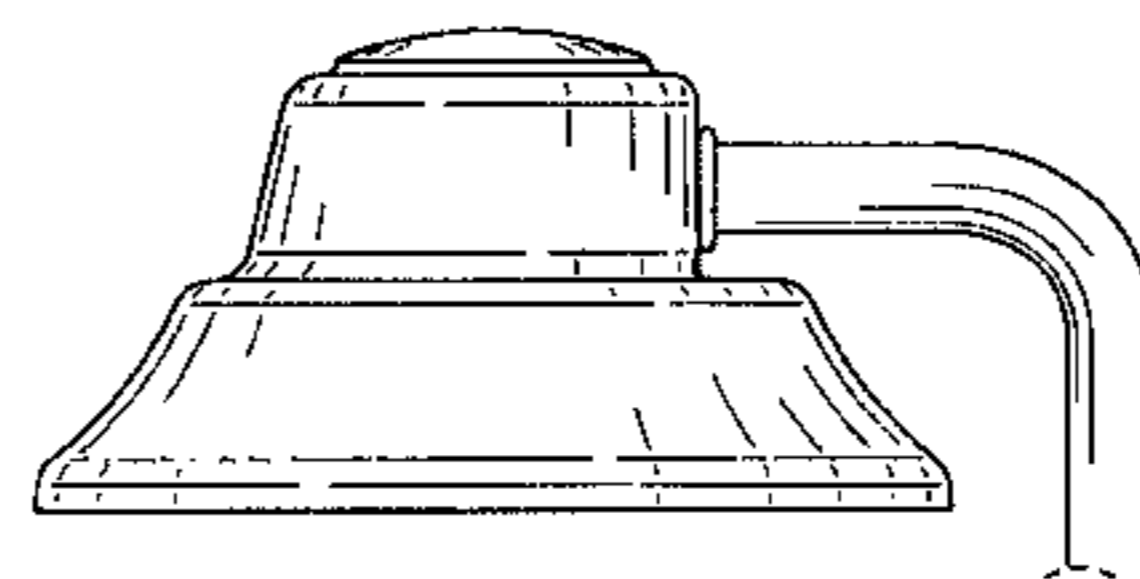
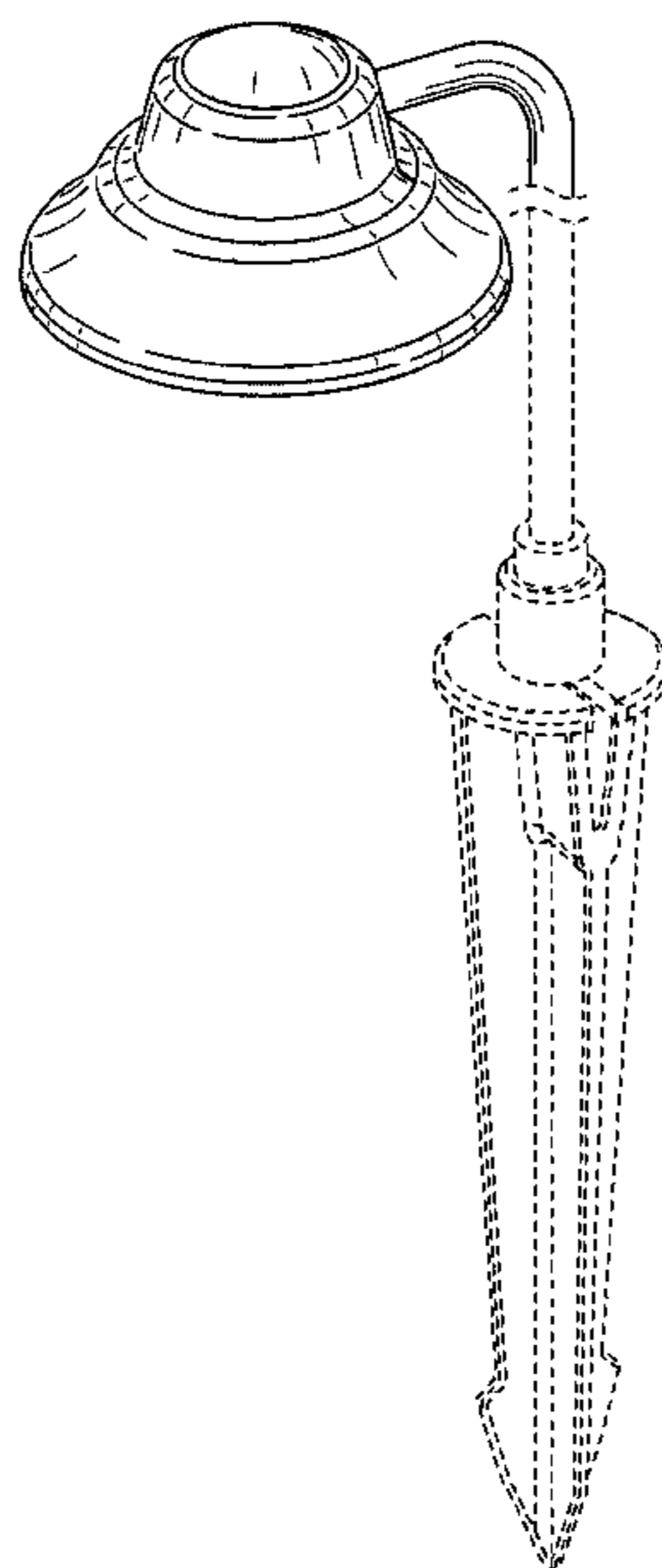
FIG. 5 is a right side elevational view thereof;

FIG. 6 is a top plan view thereof; and,

FIG. 7 is a bottom plan view thereof.

The broken lines immediately adjacent the shaded area of the support represent the bounds of the claimed design while all other broken lines are directed to environment and are for illustrative purposes only; the broken lines form no part of the claimed design.

1 Claim, 2 Drawing Sheets



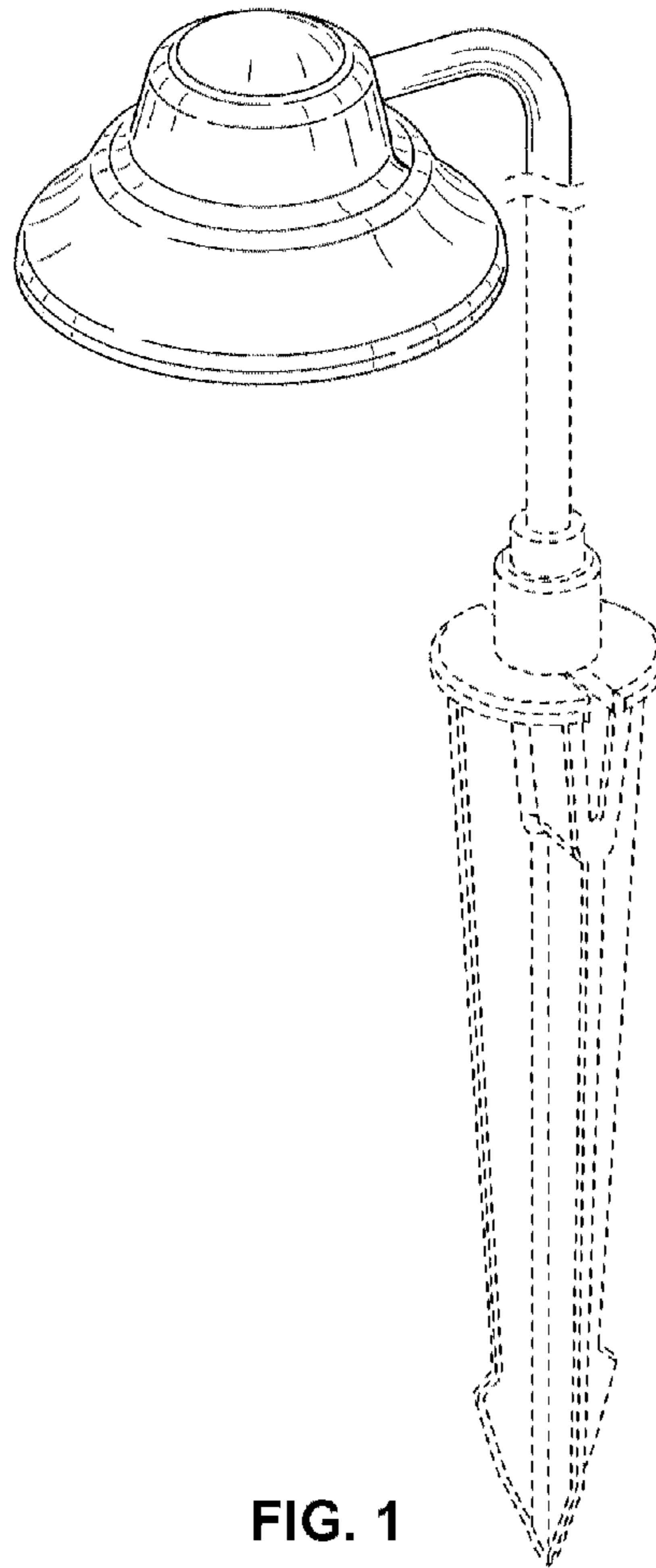


FIG. 1

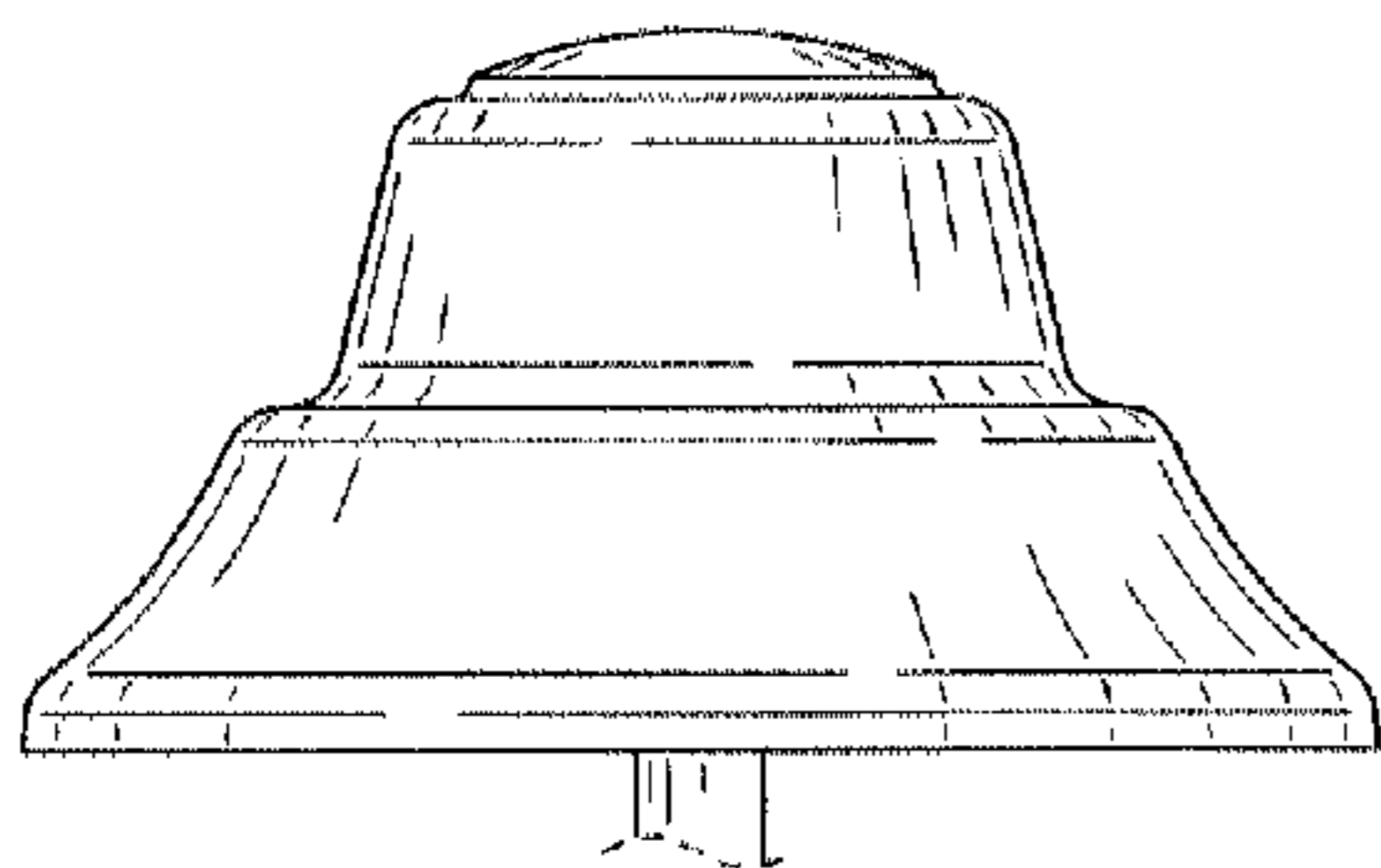


FIG. 2

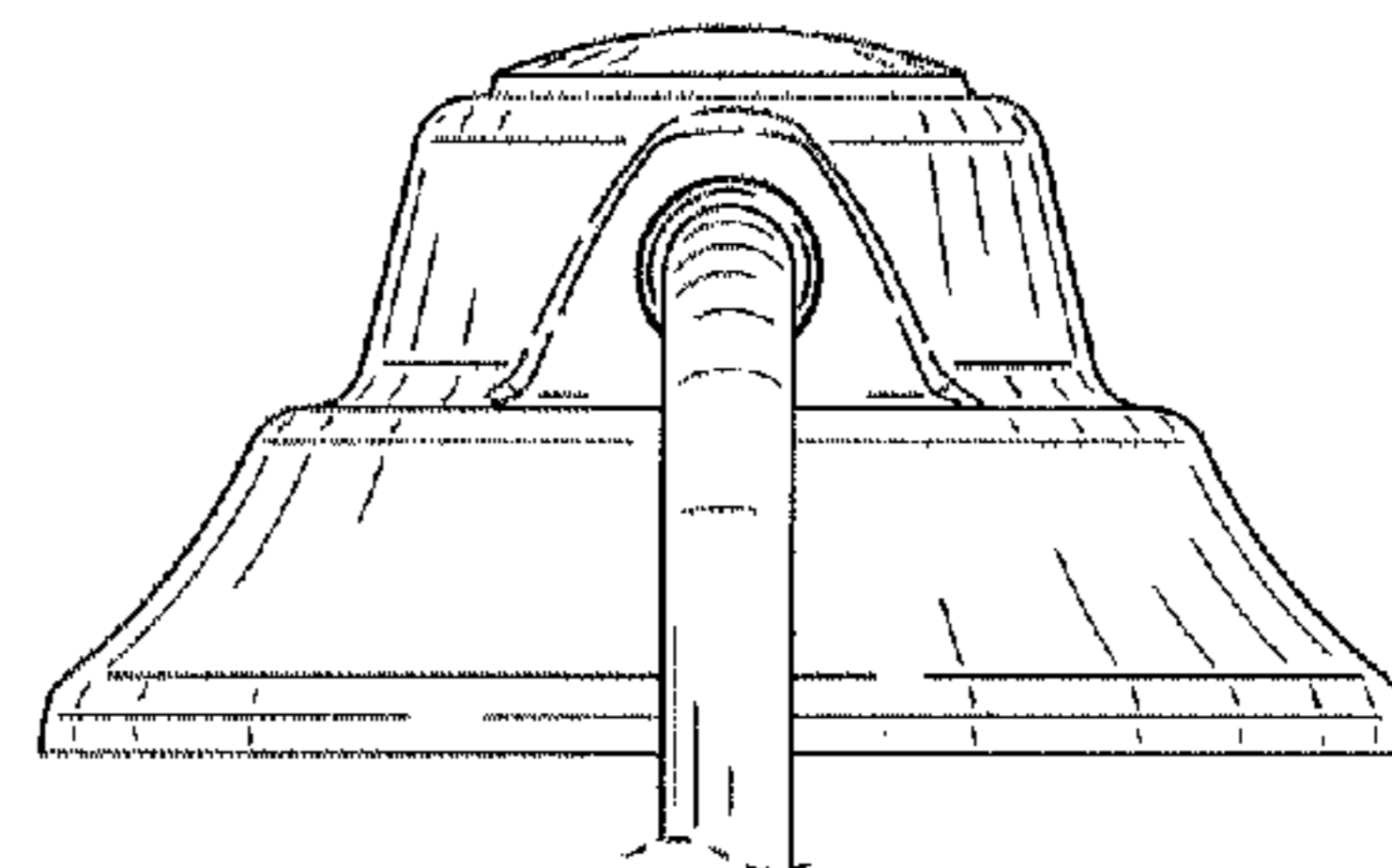


FIG. 3

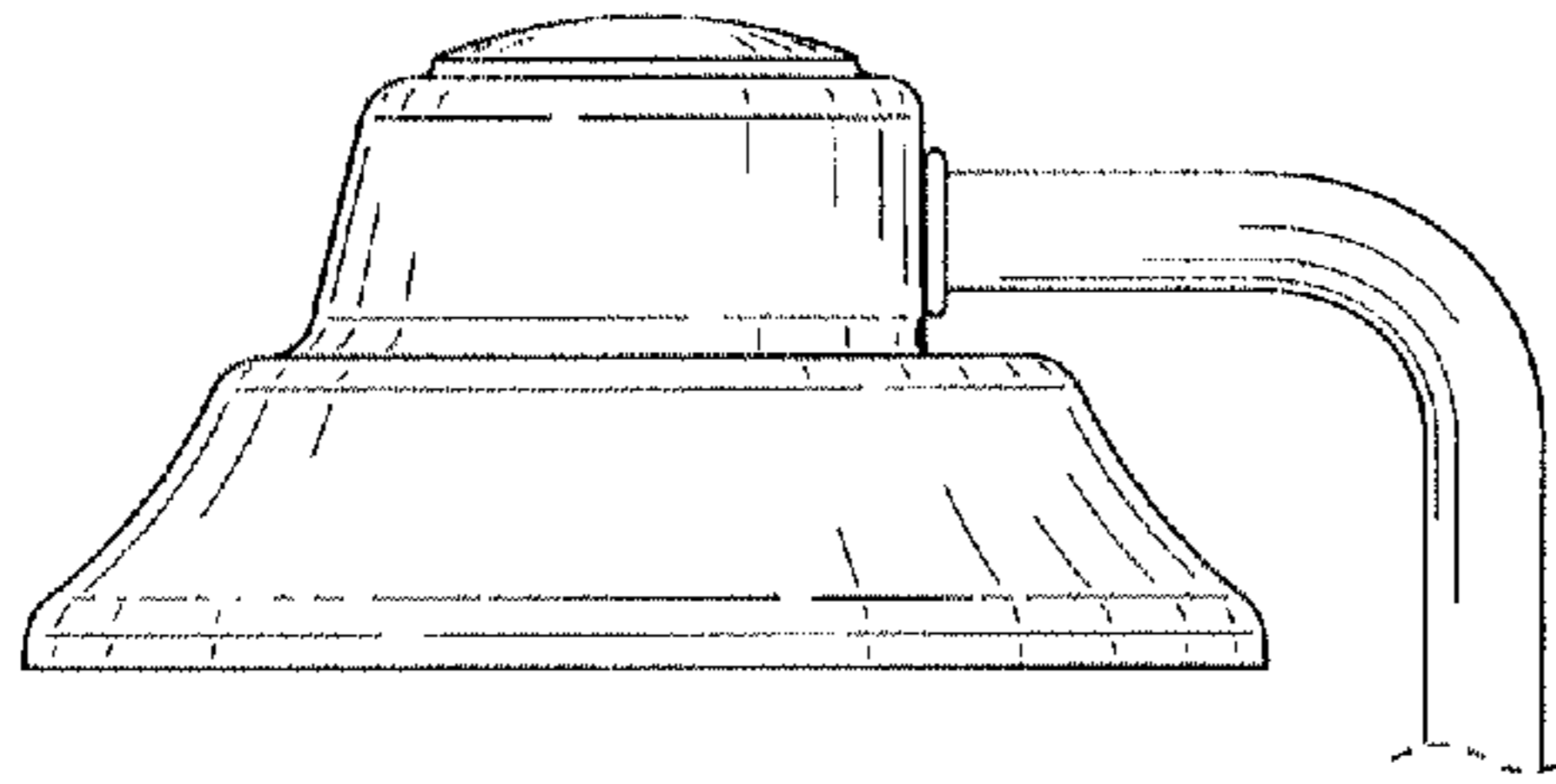


FIG. 4

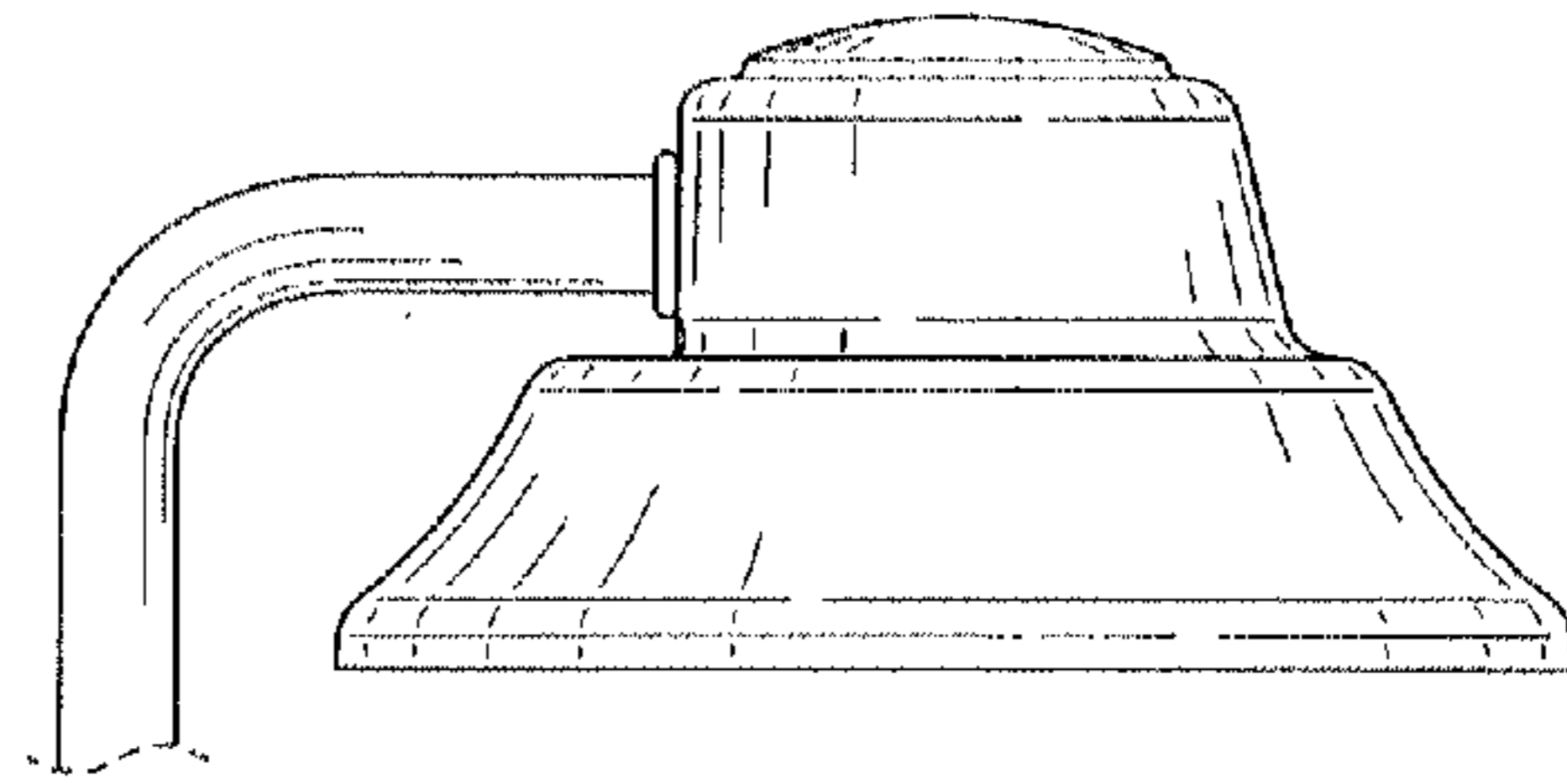


FIG. 5

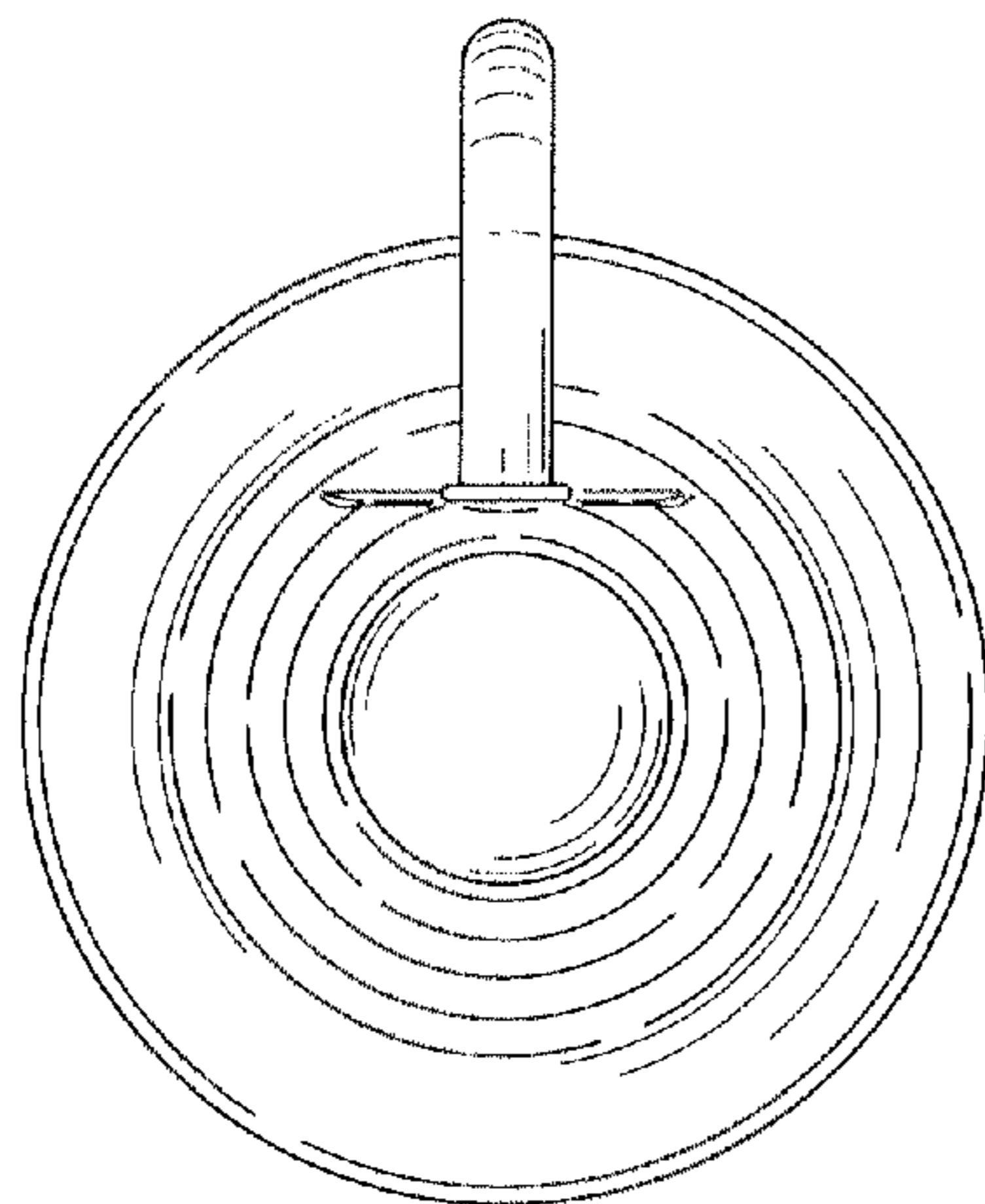


FIG. 6

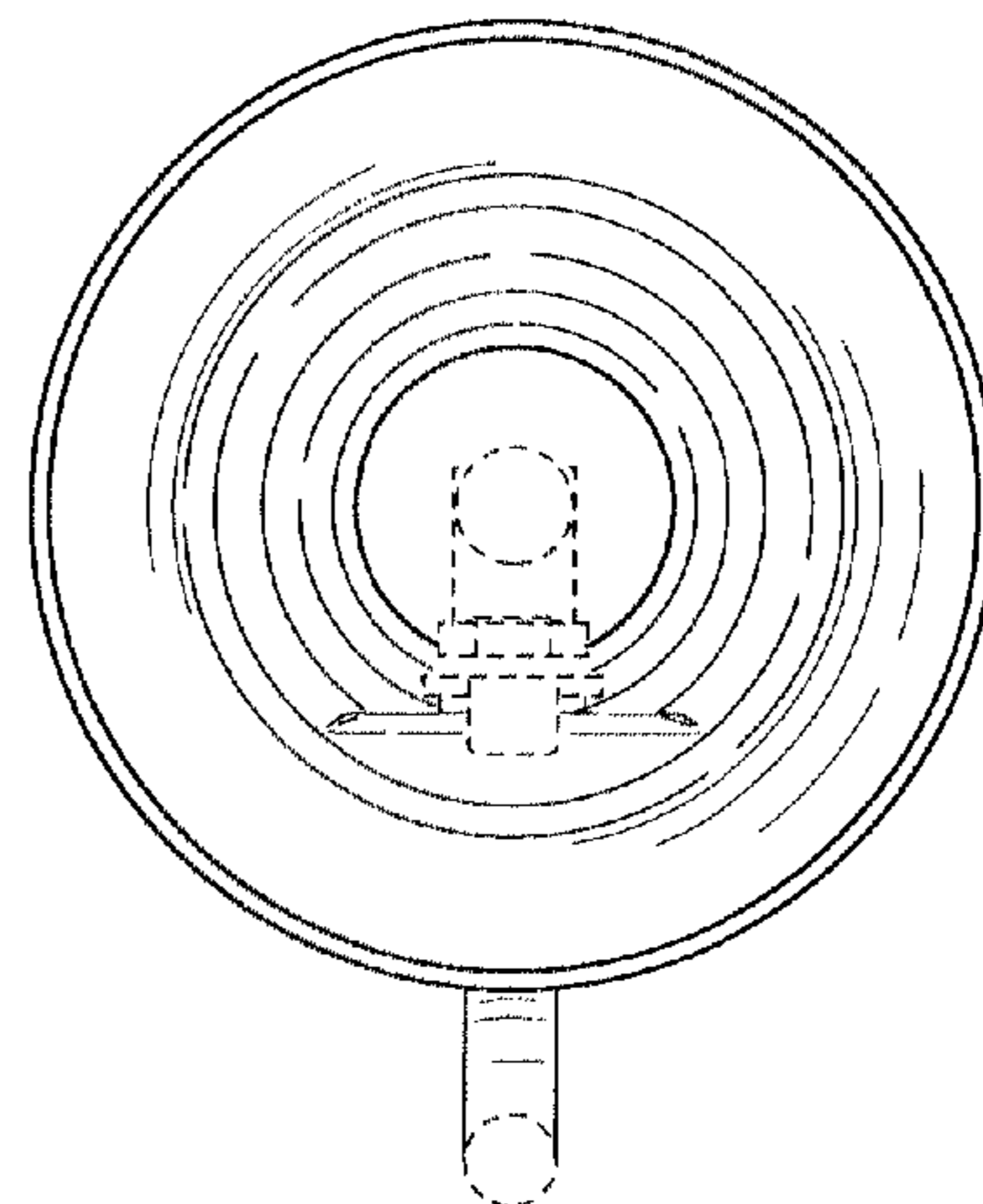


FIG. 7