



US00D663462S

(12) **United States Design Patent**
Butler et al.

(10) **Patent No.:** **US D663,462 S**
(45) **Date of Patent:** **** Jul. 10, 2012**

(54) **LIGHT FIXTURE**

(75) Inventors: **Doyle Scott Butler**, Dunwoody, GA (US); **Daniel Vincent Sekowski**, Loganville, GA (US)

(73) Assignee: **ABL IP Holding LLC**, Conyers, GA (US)

(**) Term: **14 Years**

(21) Appl. No.: **29/373,707**

(22) Filed: **May 13, 2011**

(51) **LOC (9) Cl.** **26-05**

(52) **U.S. Cl.** **D26/71**

(58) **Field of Classification Search** D26/67-71, D26/92; 362/102, 120, 183, 249.02, 431
See application file for complete search history.

(56) **References Cited**

U.S. PATENT DOCUMENTS

D220,778 S *	5/1971	Jablonski	D26/71
D391,659 S *	3/1998	Gaskins et al.	D26/71
D573,741 S	7/2008	Lou		
7,420,811 B2	9/2008	Chan		
D580,582 S	11/2008	Fan		
D599,939 S	9/2009	Zheng et al.		
D599,942 S	9/2009	Zheng		
D601,292 S	9/2009	Yan et al.		
D603,077 S	10/2009	Kinnune et al.		
7,637,630 B2	12/2009	Wilcox et al.		
7,641,363 B1	1/2010	Chang et al.		
7,677,768 B2	3/2010	Huang et al.		
7,682,055 B2	3/2010	Shuai et al.		
D614,791 S	4/2010	Nibaldi		
7,695,161 B2	4/2010	Zhang et al.		
7,699,498 B2	4/2010	Zheng		
D615,233 S	5/2010	Josefowicz et al.		
D615,234 S *	5/2010	Oblak	D26/71

D615,235 S	5/2010	Zheng		
D615,690 S	5/2010	Zheng et al.		
D616,592 S	5/2010	Chen		
D619,748 S	7/2010	Jong		
7,758,211 B2	7/2010	Zheng et al.		
D622,433 S	8/2010	Waters		
D622,888 S *	8/2010	Chakravarty et al.	D26/71
7,771,088 B2	8/2010	Chen		
7,775,692 B2	8/2010	Li		
7,794,116 B2	9/2010	Shuai et al.		
7,832,898 B2 *	11/2010	Li	362/249.02
D634,875 S *	3/2011	Jiang et al.	D26/71
D636,920 S	4/2011	Boissevain		
D642,724 S *	8/2011	Galipeau et al.	D26/71
D644,370 S *	8/2011	Lickiss	D26/85

(Continued)

Primary Examiner — Clare E Heflin

(74) *Attorney, Agent, or Firm* — Kilpatrick Townsend & Stockton LLP

(57) **CLAIM**

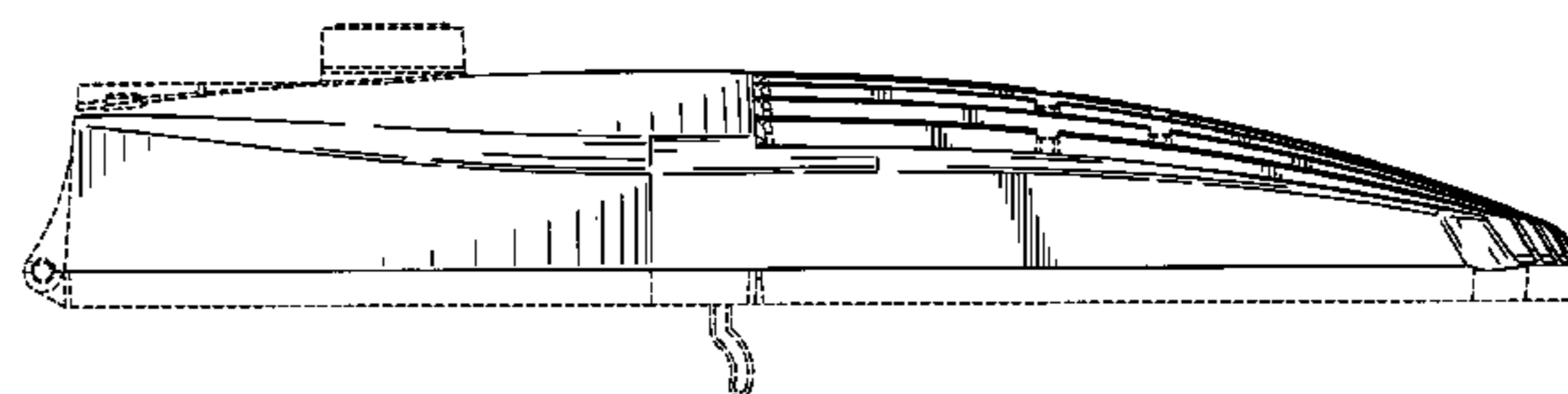
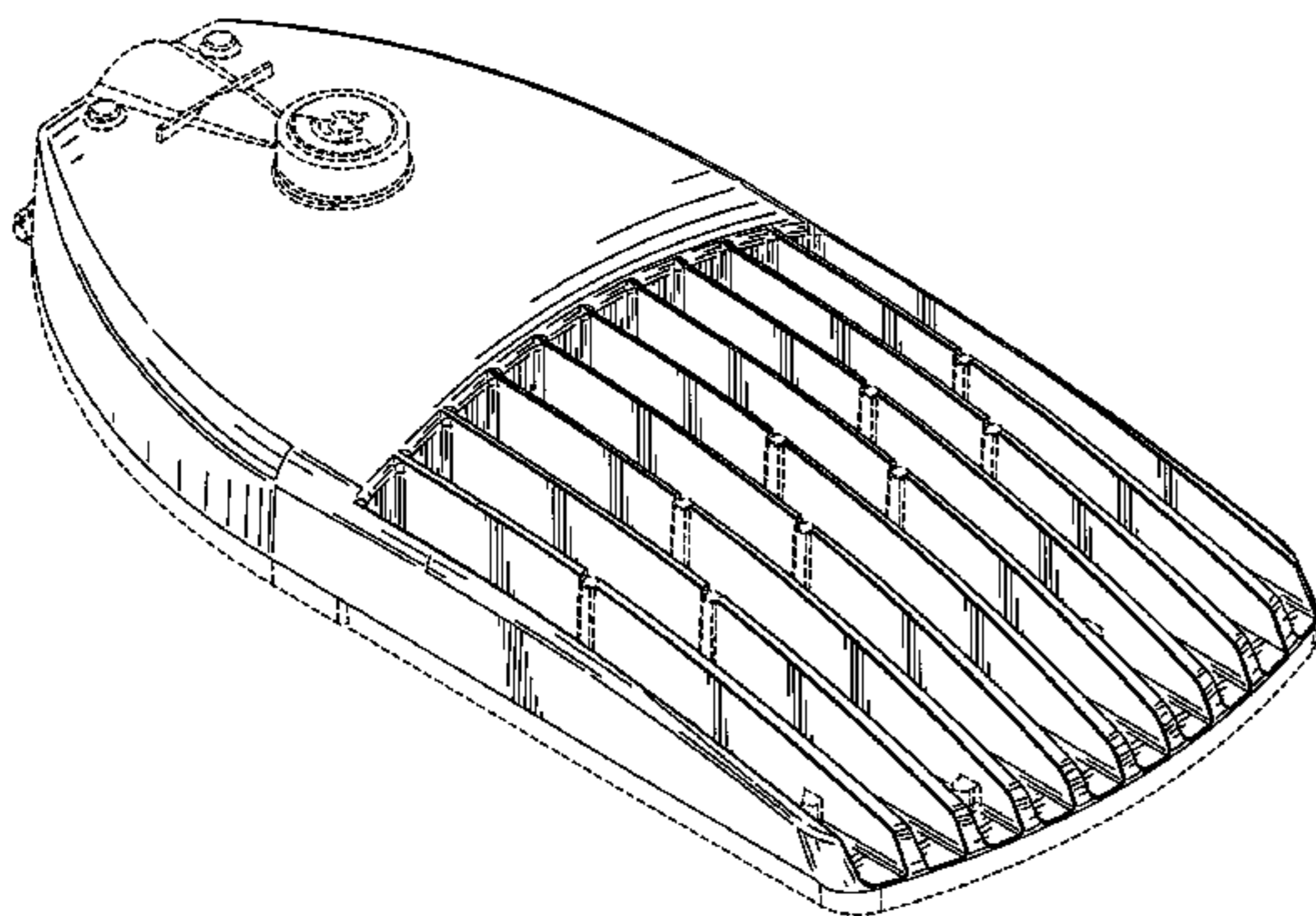
The ornamental design for a light fixture, as shown and described.

DESCRIPTION

FIG. 1 is a top perspective view of a light fixture, showing our new design.
FIG. 2 is a right side view of the light fixture of FIG. 1, the left side view being a mirror image of the right side view.
FIG. 3 is a front view of the light fixture of FIG. 1.
FIG. 4 is a rear view of the light fixture of FIG. 1.
FIG. 5 is a top plan view of the light fixture of FIG. 1.
FIG. 6 is a bottom plan view of the light fixture of FIG. 1; and, FIG. 7 is a bottom perspective view of the light fixture of FIG. 1.

In the drawings, the broken lines form no part of the claimed design.

1 Claim, 5 Drawing Sheets



US D663,462 S

Page 2

U.S. PATENT DOCUMENTS

8,021,026	B2 *	9/2011	Liu et al.	362/419	2009/0323343	A1	12/2009	Wang
D648,885	S *	11/2011	Toratani	D26/71	2010/0027269	A1	2/2010	Lo et al.
2009/0046460	A1	2/2009	Li		2010/0039827	A1	2/2010	Li
2009/0213588	A1	8/2009	Manes		2010/0079991	A1	4/2010	Zhang
2009/0237930	A1	9/2009	Li		2010/0085751	A1	4/2010	Shaner
2009/0244895	A1	10/2009	Chen		2010/0195333	A1	8/2010	Schaefer et al.
2009/0251898	A1	10/2009	Kinnune et al.		2010/0246179	A1	9/2010	Long et al.
2009/0310356	A1	12/2009	Laporte		2010/0271822	A1	10/2010	Luo et al.
2009/0310363	A1	12/2009	Liu et al.					

* cited by examiner

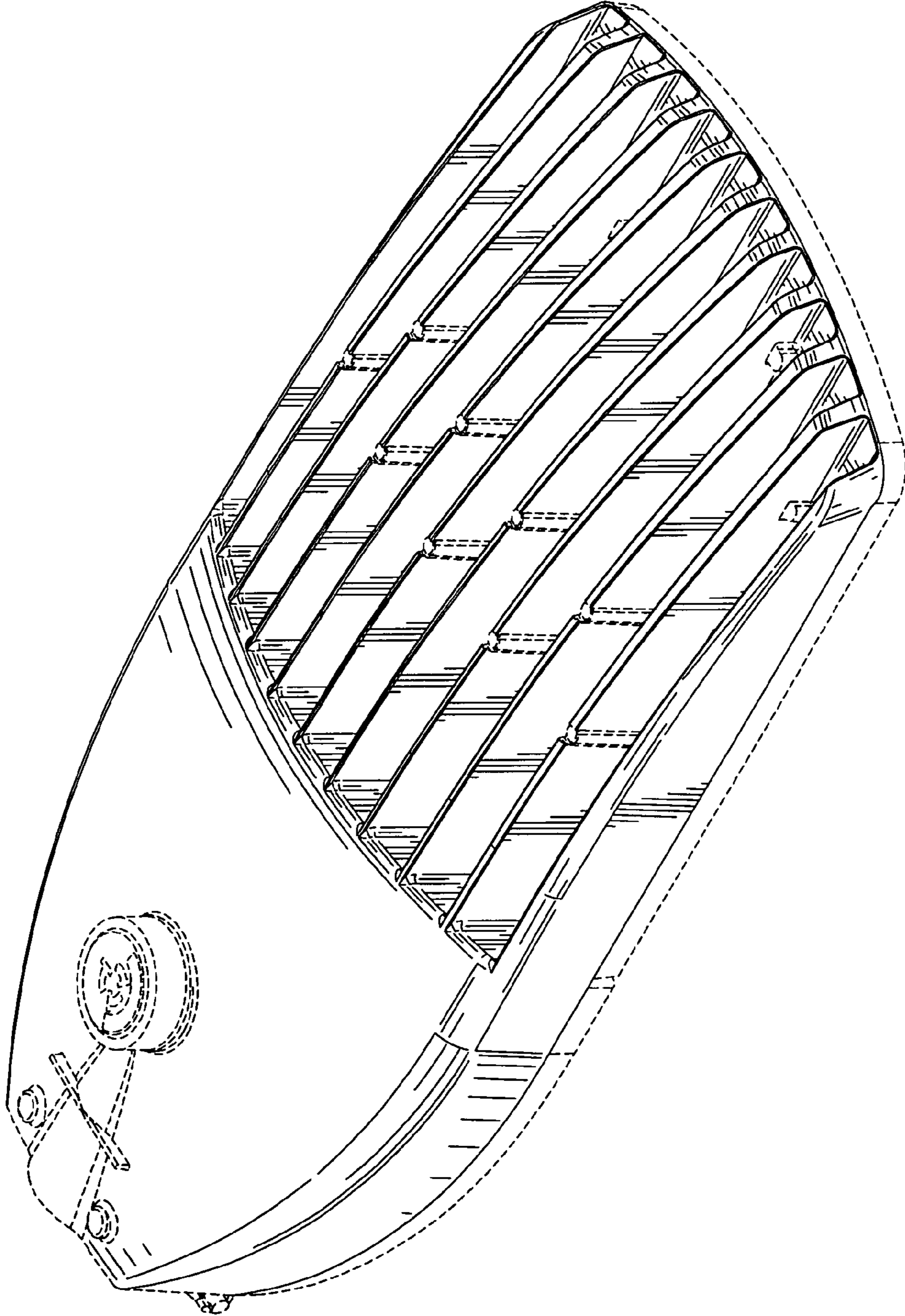


FIG. 1

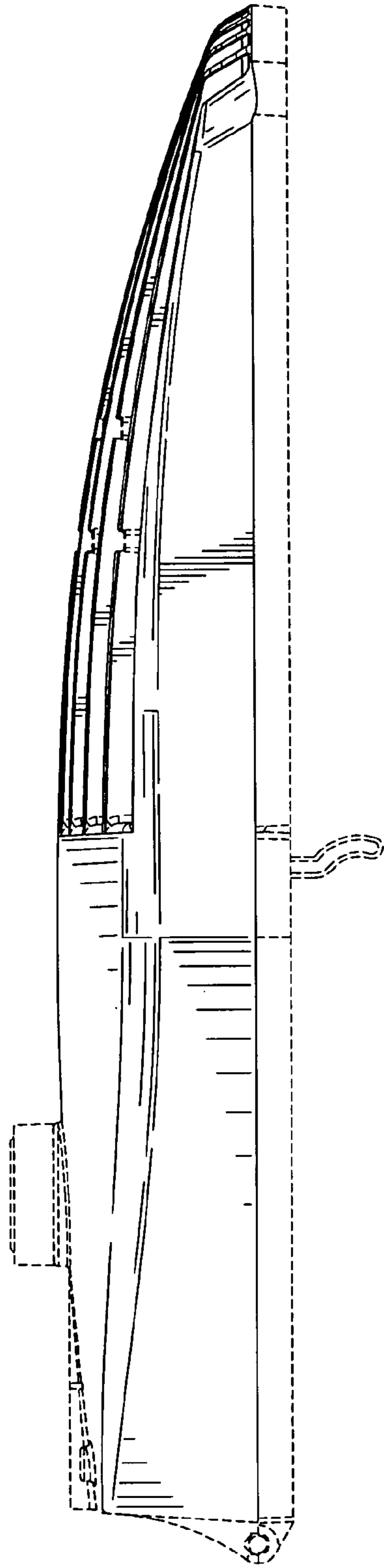


FIG. 2

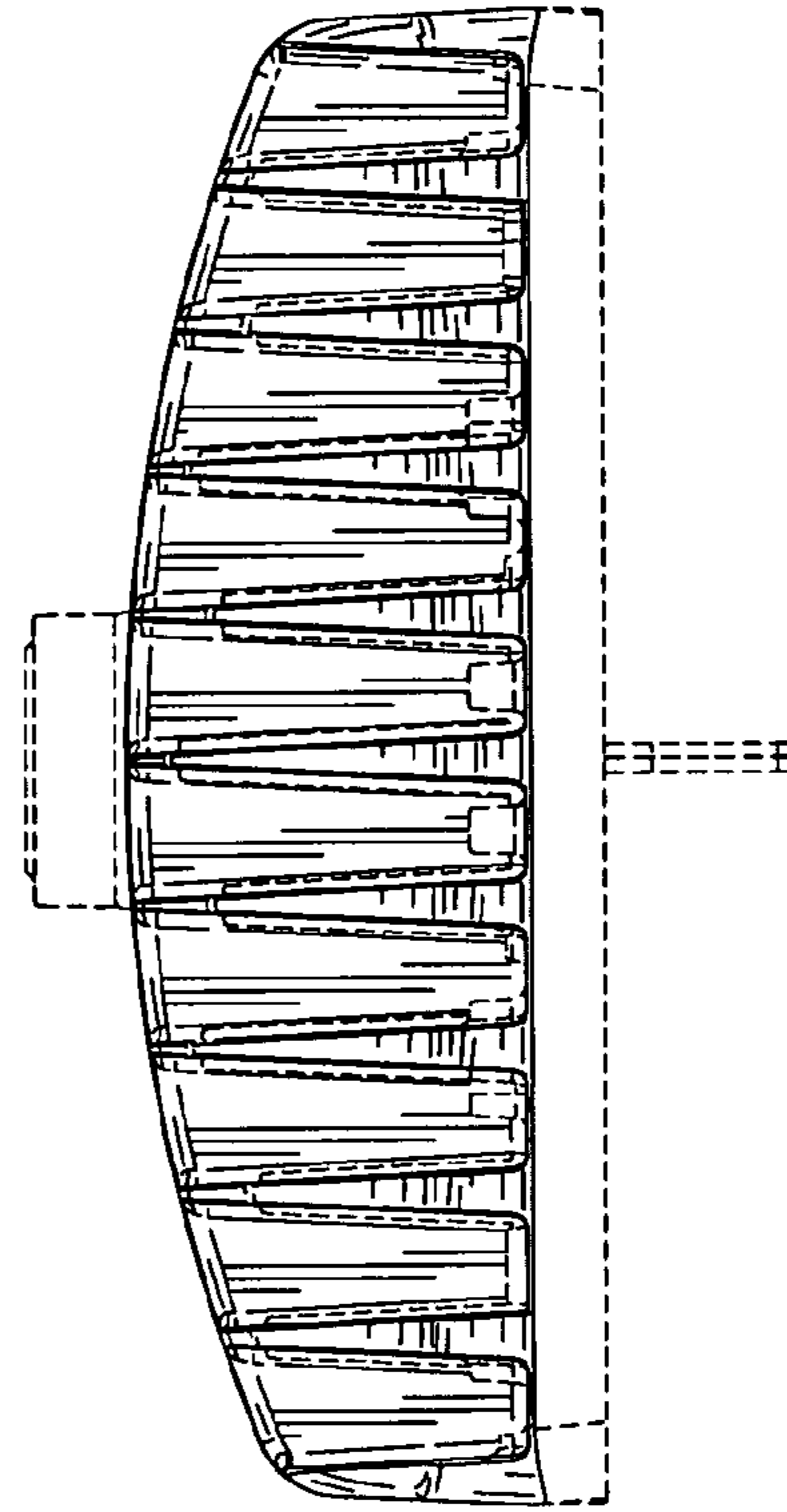


FIG. 3

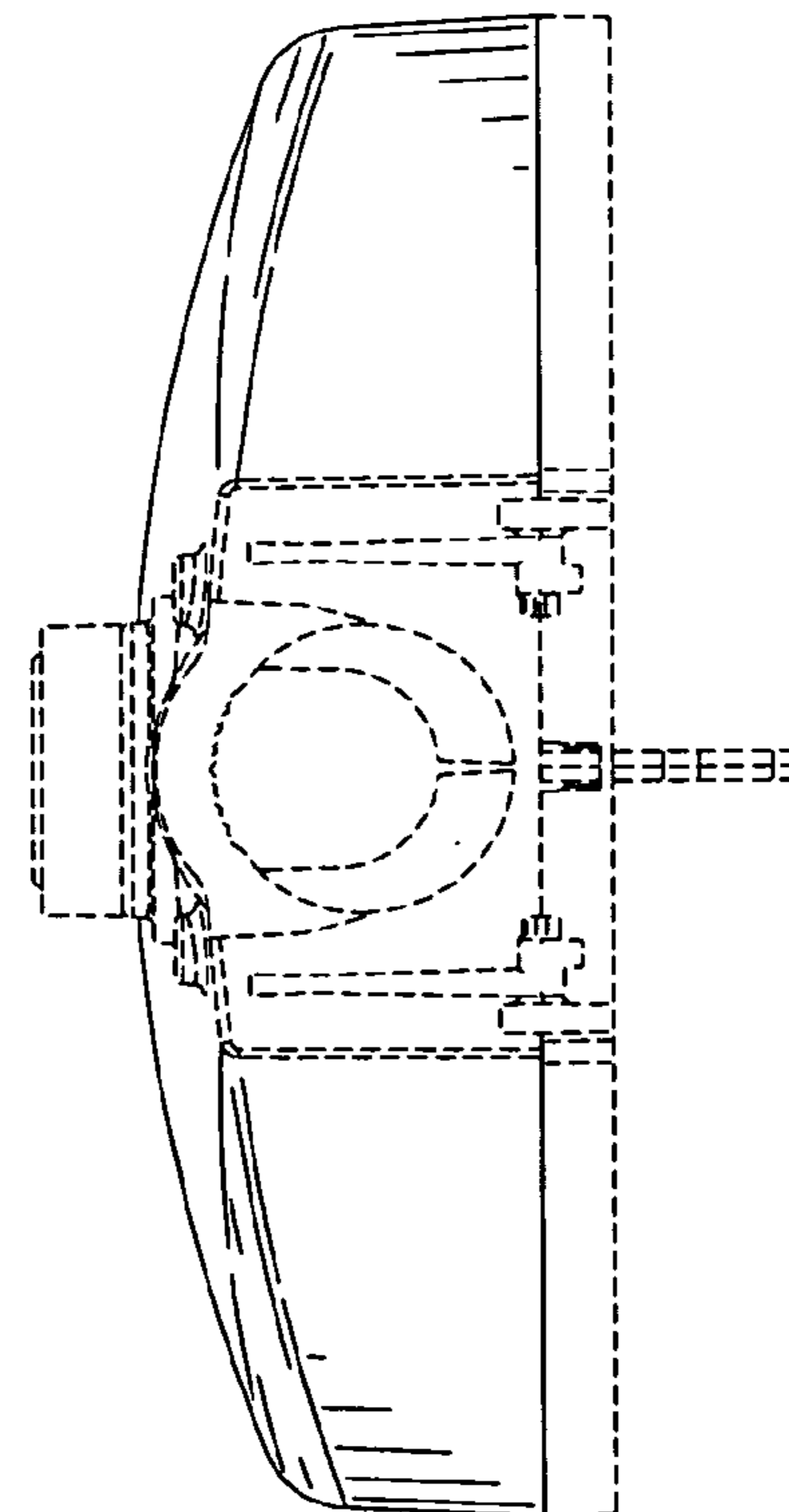


FIG. 4

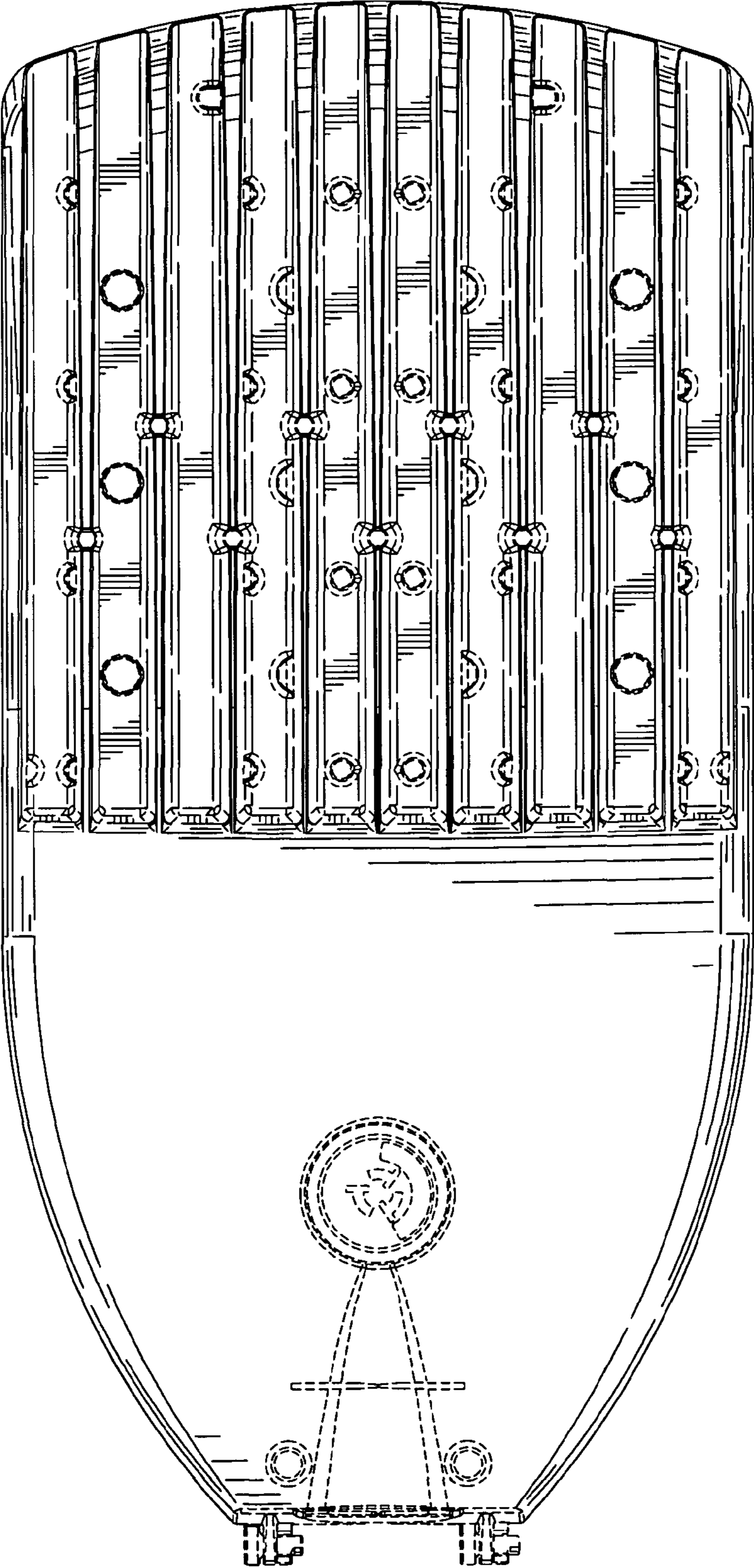


FIG. 5

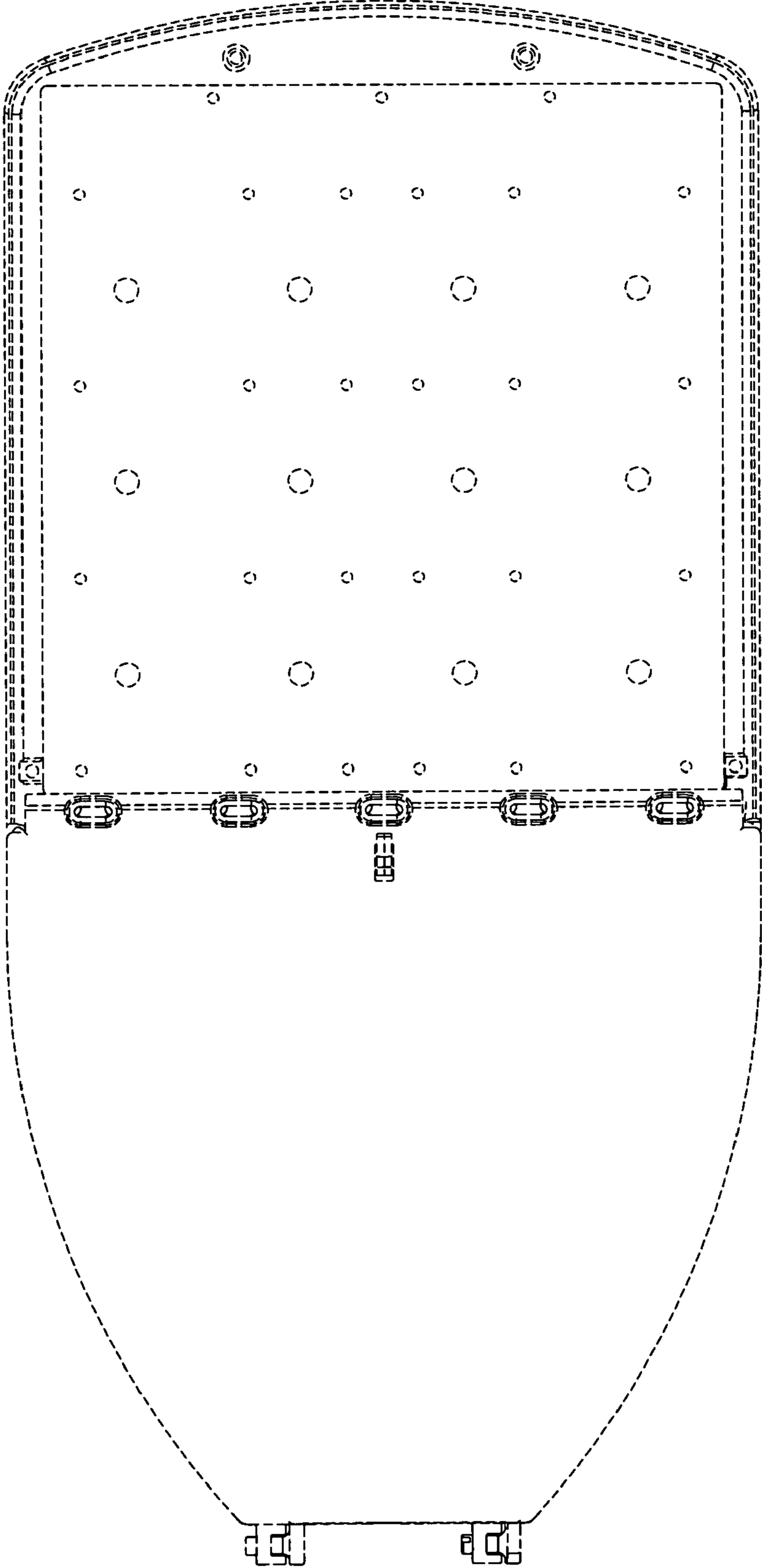


FIG. 6

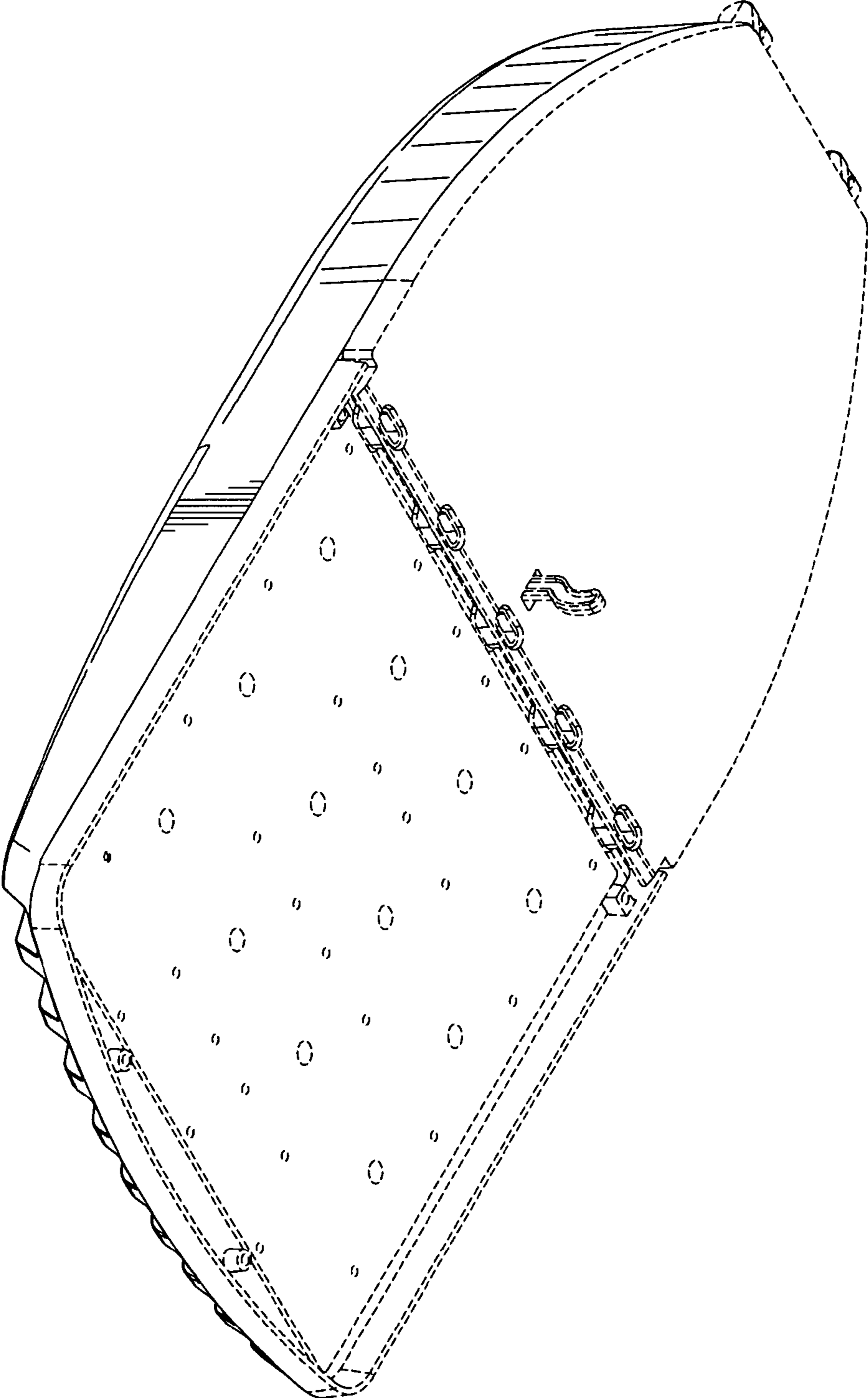


FIG. 7