

US00D663461S

(12) **United States Design Patent**
Schefers et al.

(10) **Patent No.:** **US D663,461 S**

(45) **Date of Patent:** **** Jul. 10, 2012**

(54) **EXTENDABLE LIGHT POLE**

(76) Inventors: **Allen J. Schefers**, Wayzata, MN (US);
Douglas J. Reak, Crystal, MN (US)

(**) Term: **14 Years**

(21) Appl. No.: **29/400,687**

(22) Filed: **Aug. 31, 2011**

(51) **LOC (9) Cl.** **26-05**

(52) **U.S. Cl.** **D26/68**

(58) **Field of Classification Search** D26/67-71,
D26/85, 92, 107; 362/147, 157, 183, 186,
362/431, 432

See application file for complete search history.

(56) **References Cited**

U.S. PATENT DOCUMENTS

D452,028 S *	12/2001	Lee	D26/67
D492,055 S *	6/2004	Hon et al.	D26/67
D497,022 S *	10/2004	Bucher et al.	D26/67
D509,613 S *	9/2005	Sooferian	D26/67
D530,034 S *	10/2006	Hon et al.	D26/67
D532,141 S *	11/2006	Chen	D26/67
D533,294 S *	12/2006	Chen	D26/67
D535,425 S *	1/2007	Chen	D26/67
D539,957 S *	4/2007	Luo	D26/67
D563,586 S *	3/2008	Lee et al.	D26/67

D610,285 S *	2/2010	Sanoner	D26/68
D629,951 S *	12/2010	Sooferian	D26/68
D655,028 S *	2/2012	Cravedi	D26/68

* cited by examiner

Primary Examiner — Clare E Heflin

(74) *Attorney, Agent, or Firm* — Patterson Thuent
Christensen Pedersen, P.A.

(57) **CLAIM**

We claim the ornamental design for extendable light pole, as shown.

DESCRIPTION

FIG. 1 is a perspective view of an extendable light pole according to the invention;
 FIG. 2 is an exploded perspective view of the extendable light pole of FIG. 1;
 FIG. 3 is an end view of the extendable light pole of FIG. 1;
 FIG. 4 is an end view of the extendable light pole of FIG. 1;
 and,
 FIG. 5 is a side view of the extendable light pole showing the support pole broken-away for ease of illustration only.
 Items shown in broken lines are for illustrative purposes only and form no part of the claimed invention.

1 Claim, 4 Drawing Sheets

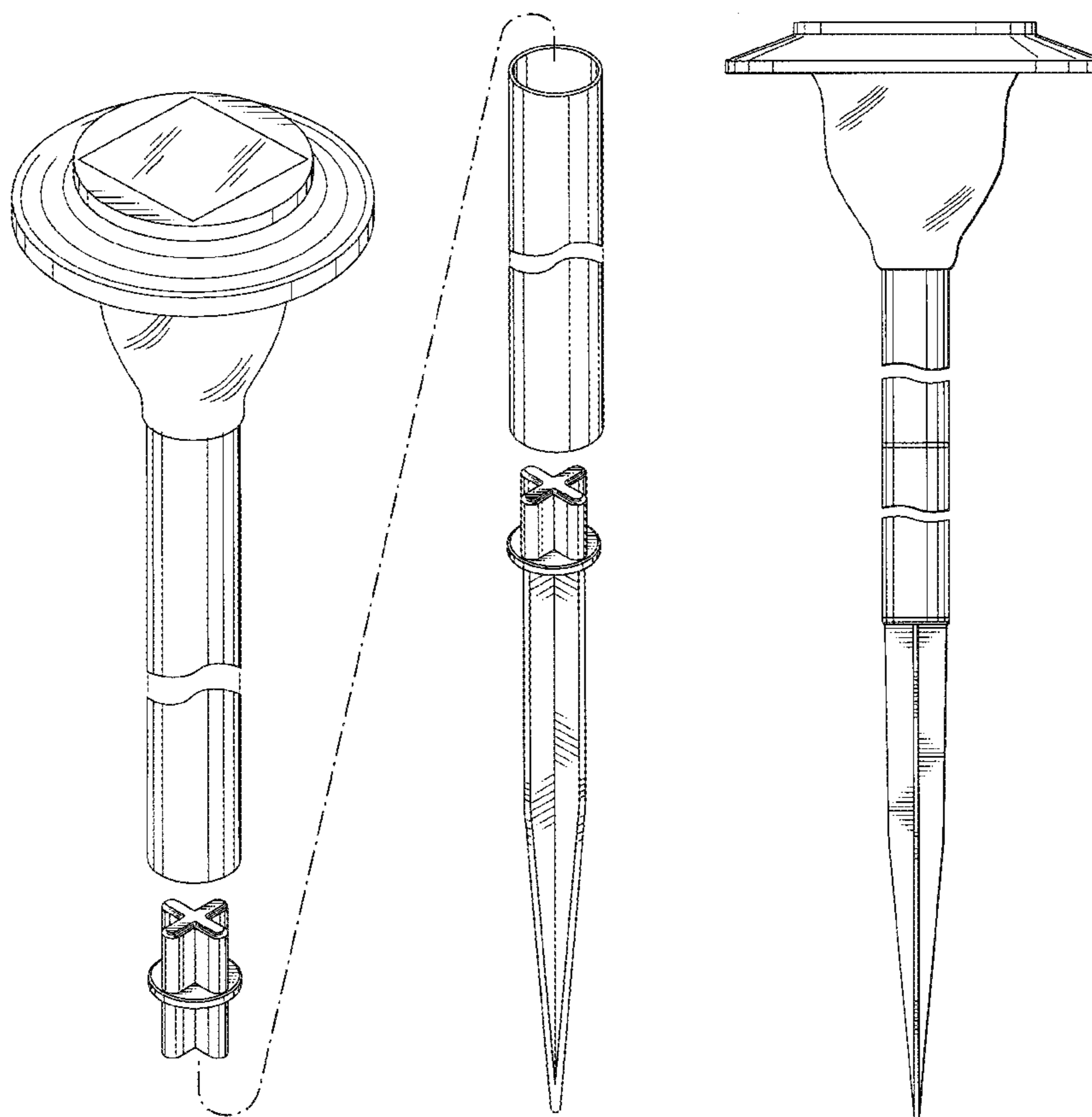


Fig. 1

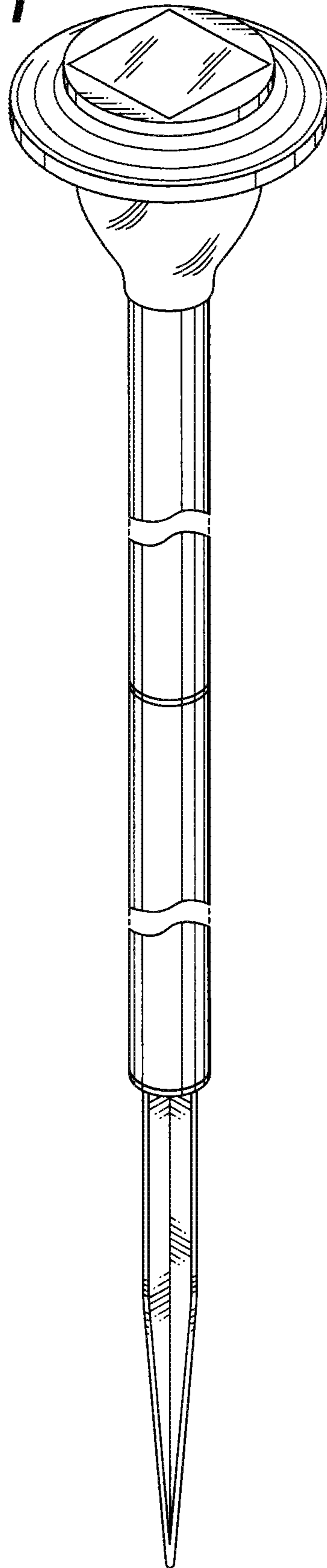


Fig. 2

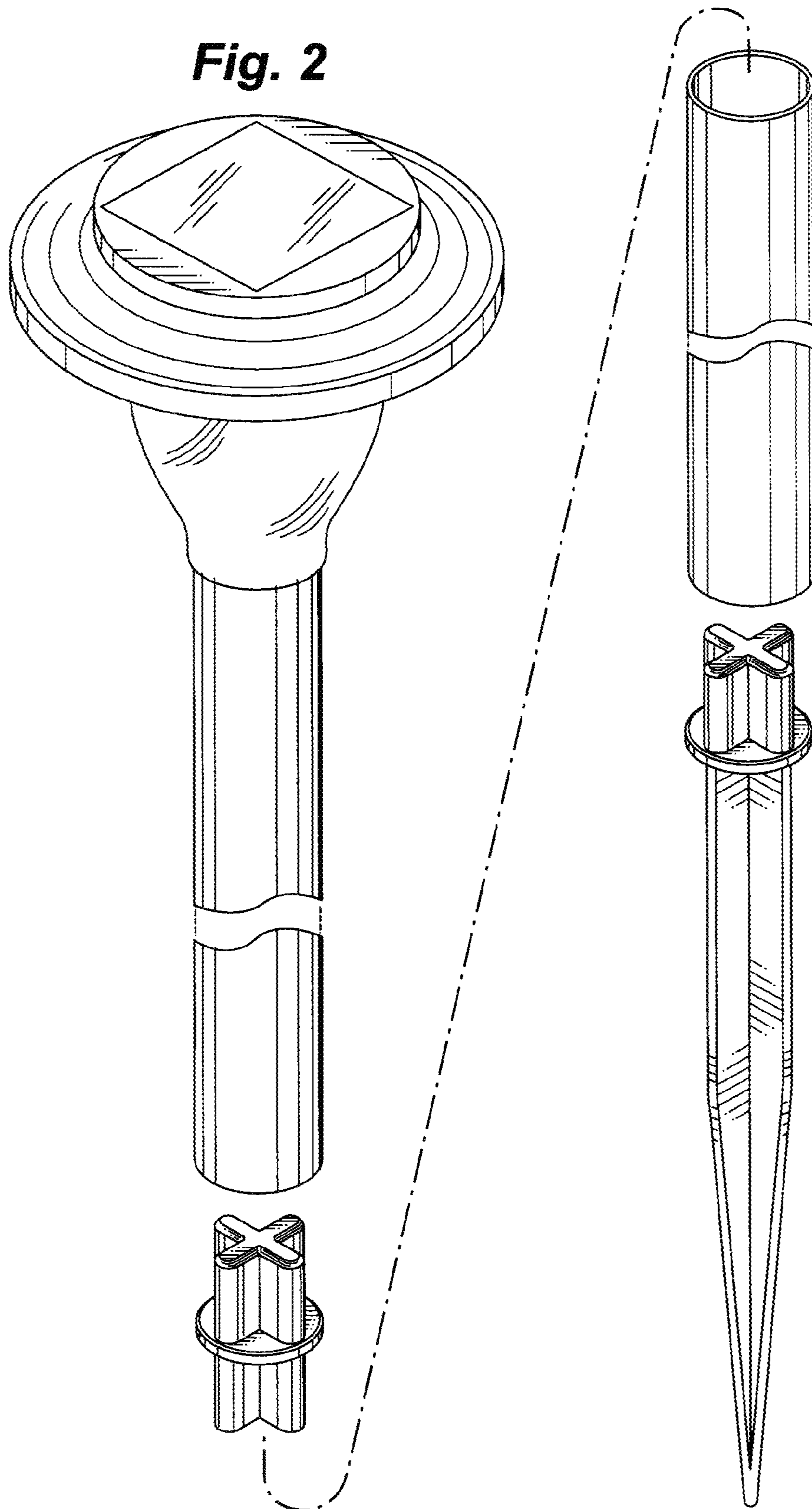


Fig. 3

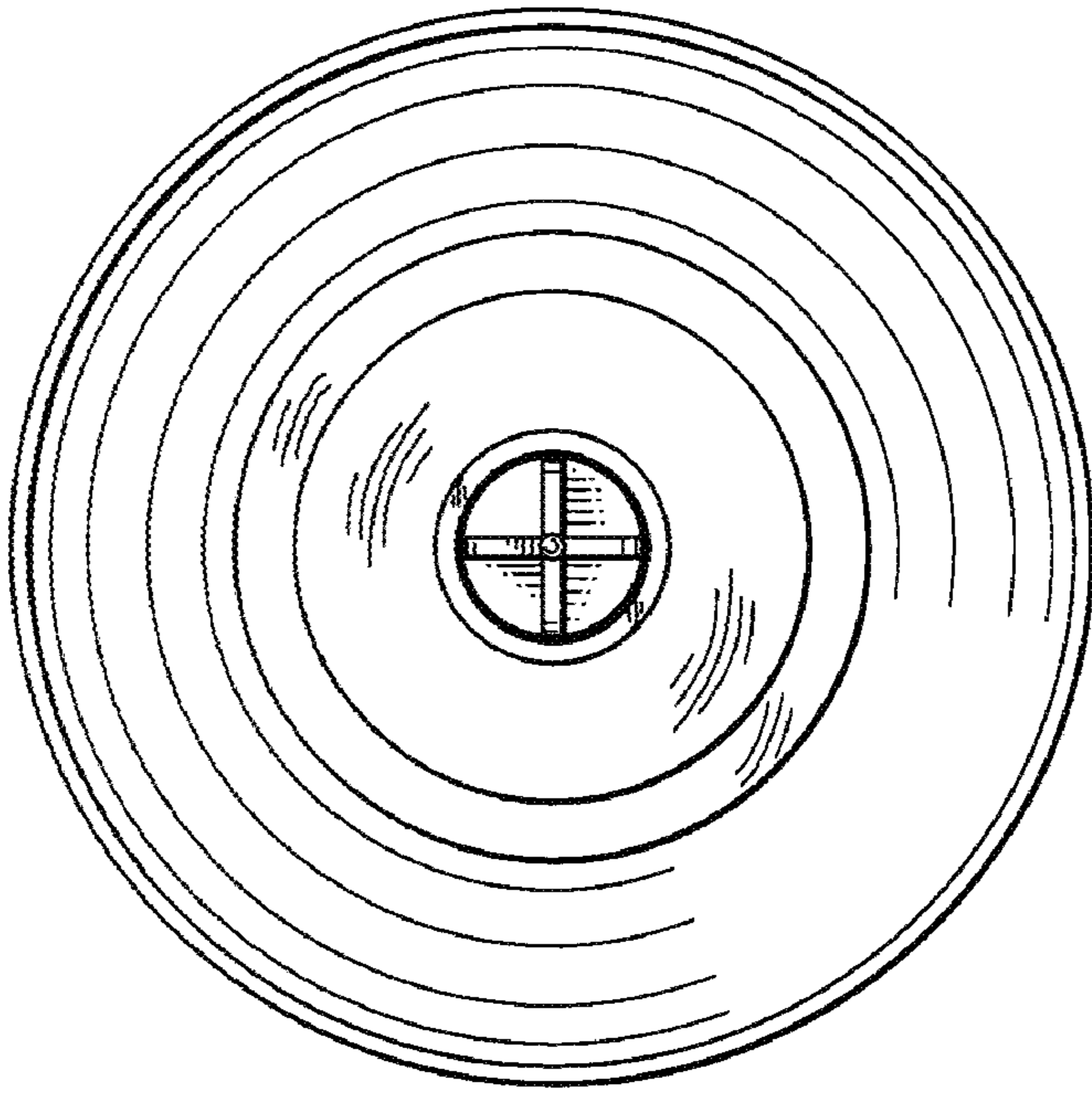


Fig. 4

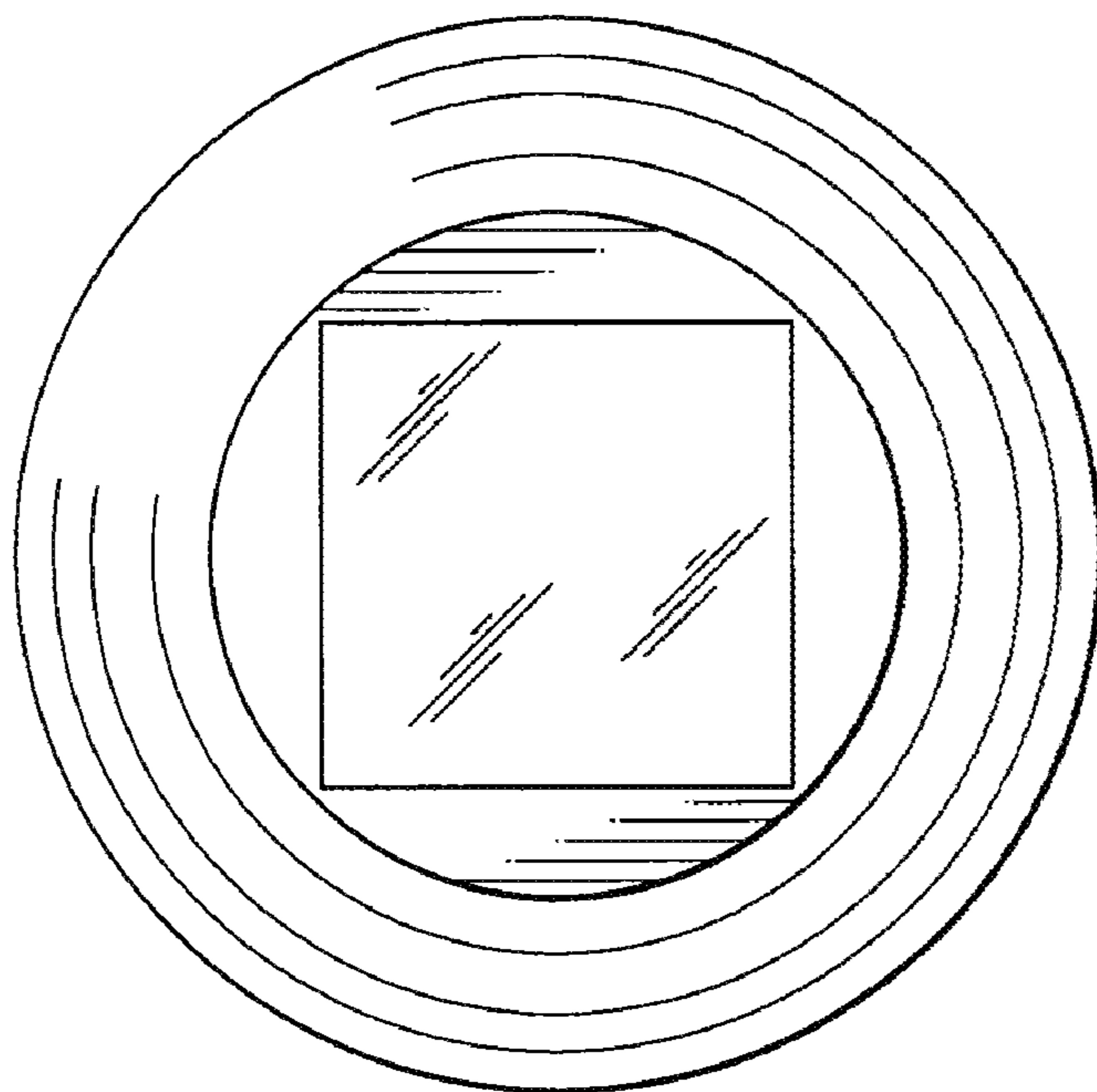


Fig. 5

