



US00D663455S

(12) **United States Design Patent**
Glasbrenner

(10) **Patent No.:** **US D663,455 S**
(45) **Date of Patent:** **** Jul. 10, 2012**

- (54) **CEILING FAN LIGHT KIT**
- (75) Inventor: **Brian Glasbrenner**, Smyrna, GA (US)
- (73) Assignee: **Air Cool Industrial Co., Ltd.**, Taichung (TW)
- (**) Term: **14 Years**
- (21) Appl. No.: **29/402,258**
- (22) Filed: **Sep. 22, 2011**
- (51) **LOC (9) Cl.** **26-03**
- (52) **U.S. Cl.** **D26/59**
- (58) **Field of Classification Search** D26/36, D26/59, 71, 74, 76, 85, 87, 89, 90, 91, 124; 362/147, 148, 365, 453-456, 479, 483, 488, 362/490; D23/377, 379, 411
See application file for complete search history.

(56) **References Cited**

U.S. PATENT DOCUMENTS

D56,845 S *	1/1921	Adam	D26/89
D57,418 S *	3/1921	Adam	D26/89
D57,421 S *	3/1921	Adam	D26/89
D58,776 S *	8/1921	Lapidus	D26/36
D67,935 S *	8/1925	Ullman	D26/89
2,225,217 A *	12/1940	Hicok	362/355
D414,857 S *	10/1999	Zuege	D23/377

D428,982 S *	8/2000	Oldenburg	D23/377
D505,721 S *	5/2005	Pickett	D23/411
D549,814 S *	8/2007	Gajewski	D23/377
D551,335 S *	9/2007	Gajewski	D23/377
D566,321 S *	4/2008	Pickett	D26/89
D570,022 S *	5/2008	Ertze	D26/59

* cited by examiner

Primary Examiner — Clare E Heflin

(74) *Attorney, Agent, or Firm* — Ming Chow; Sinorica, LLC

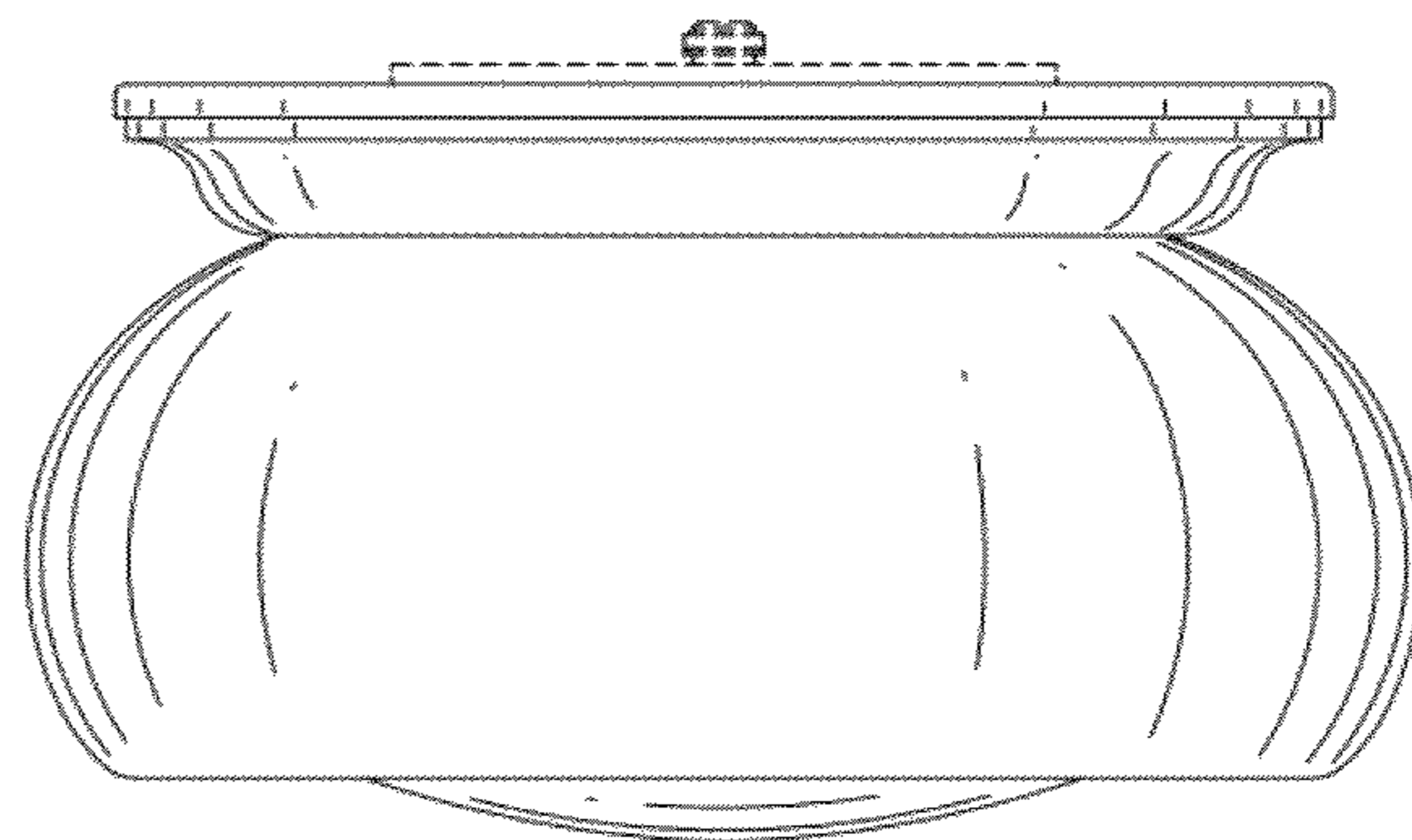
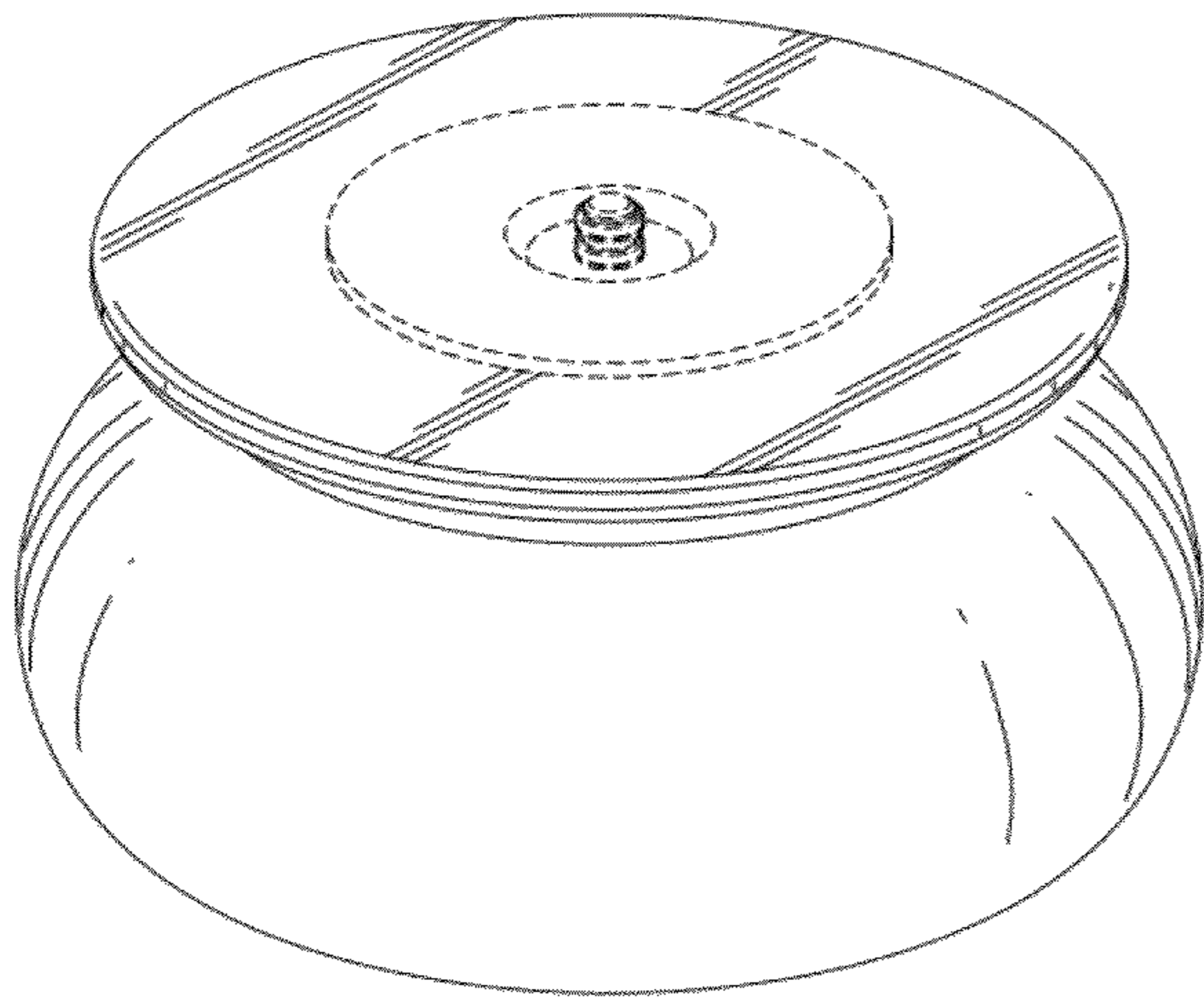
(57) **CLAIM**

I claim the ornamental design for a ceiling fan light kit, as shown and described.

DESCRIPTION

FIG. 1 is a front perspective view of a ceiling fan light kit showing my new design;
 FIG. 2 is a front elevational view thereof;
 FIG. 3 is a rear elevational view thereof.
 FIG. 4 is a left side elevational view thereof;
 FIG. 5 is a right side elevational view thereof;
 FIG. 6 is a top plan view thereof; and,
 FIG. 7 is a bottom plan view thereof.
 The broken lines shown on the drawings are understood to represent portions of the article in which the design is embodied that are not considered part of the claimed design.

1 Claim, 5 Drawing Sheets



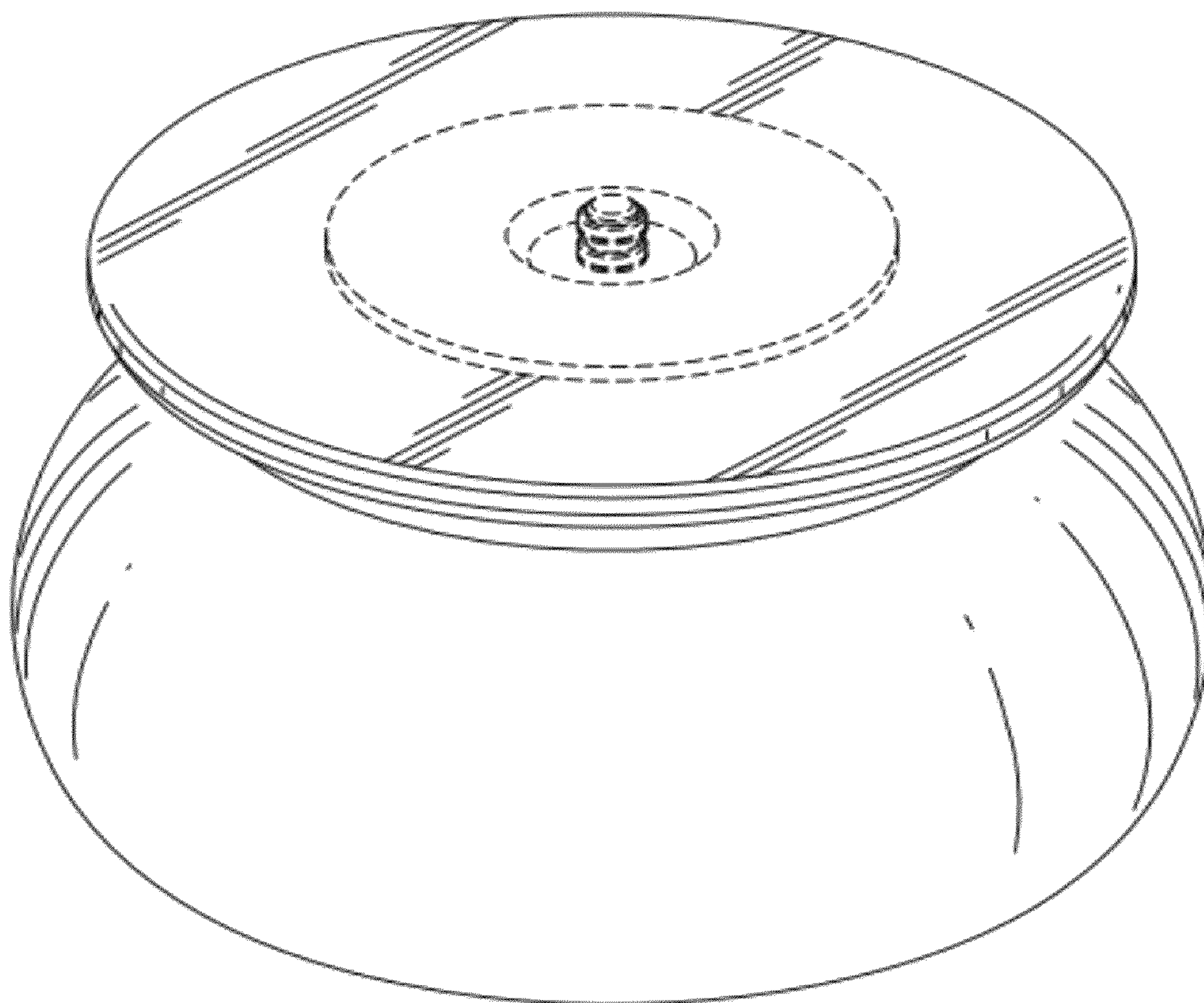


FIG. 1

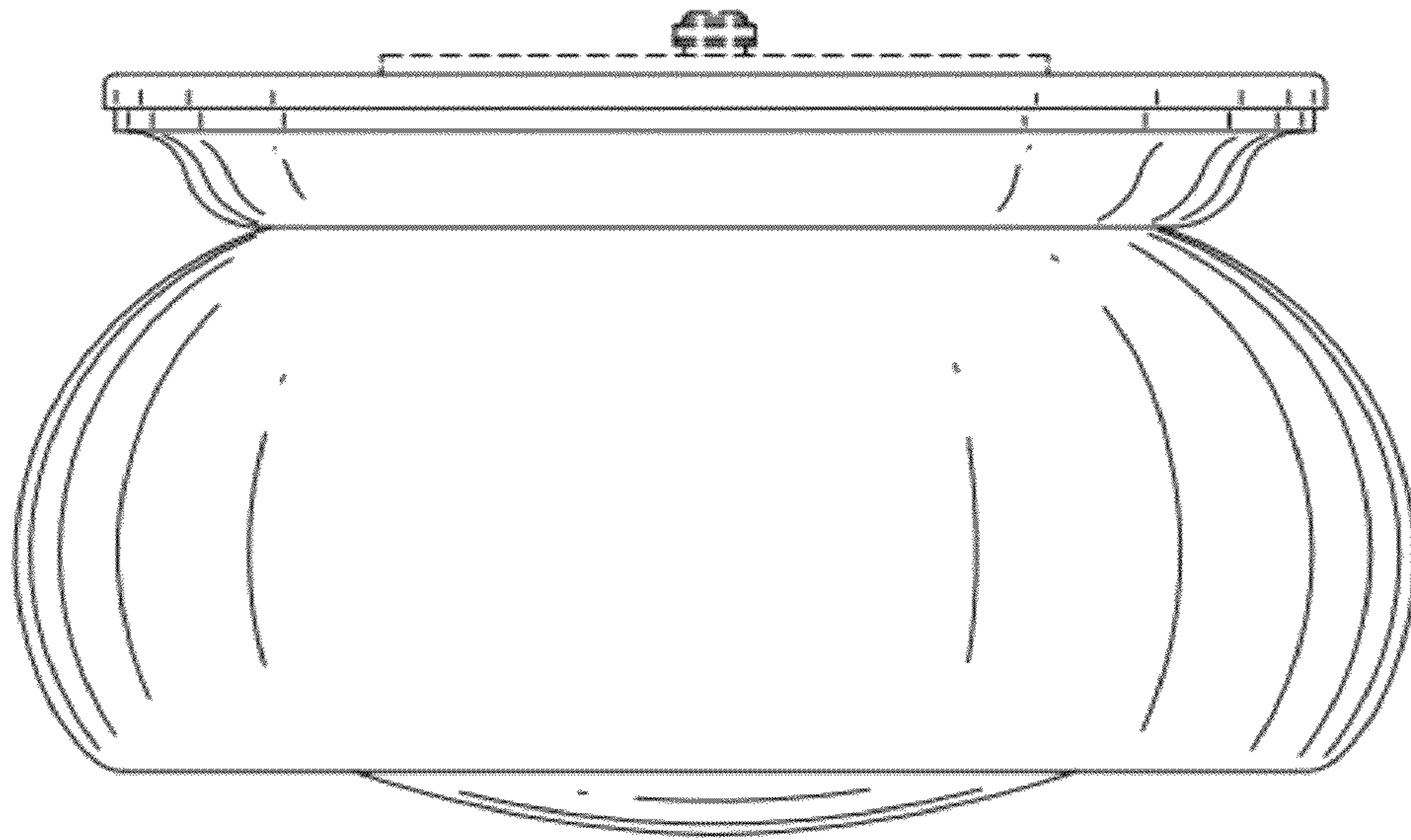


FIG. 2

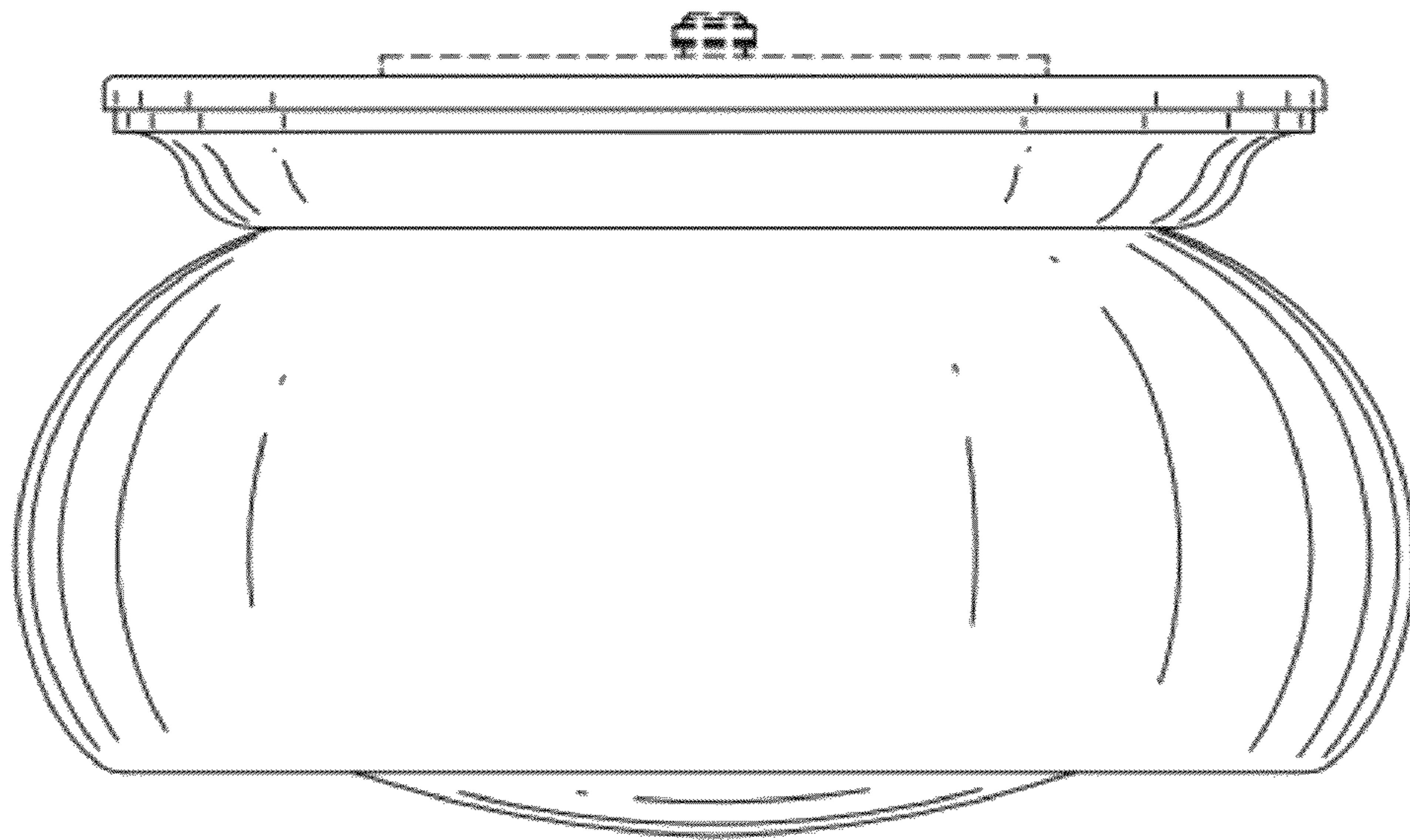


FIG. 3

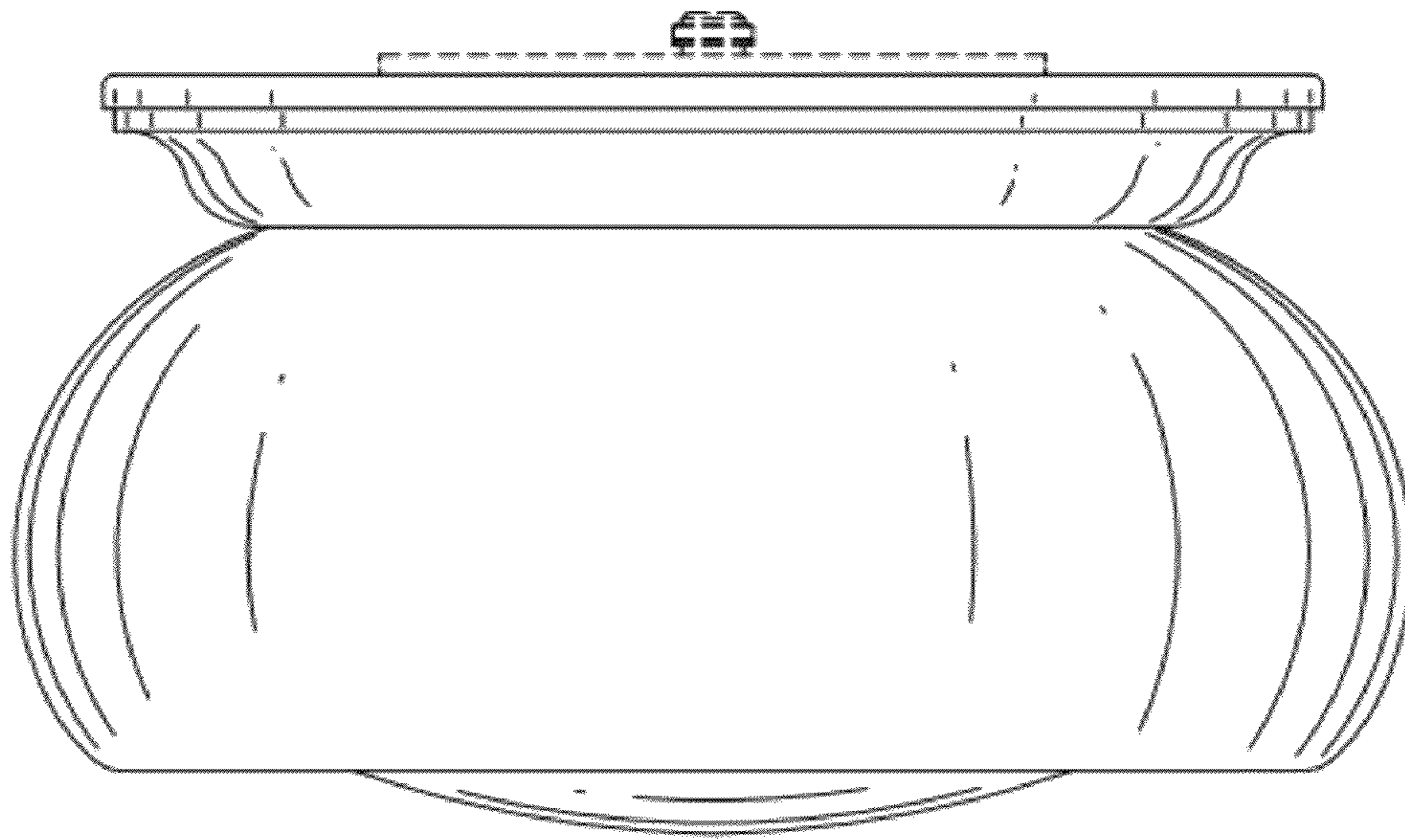


FIG. 4

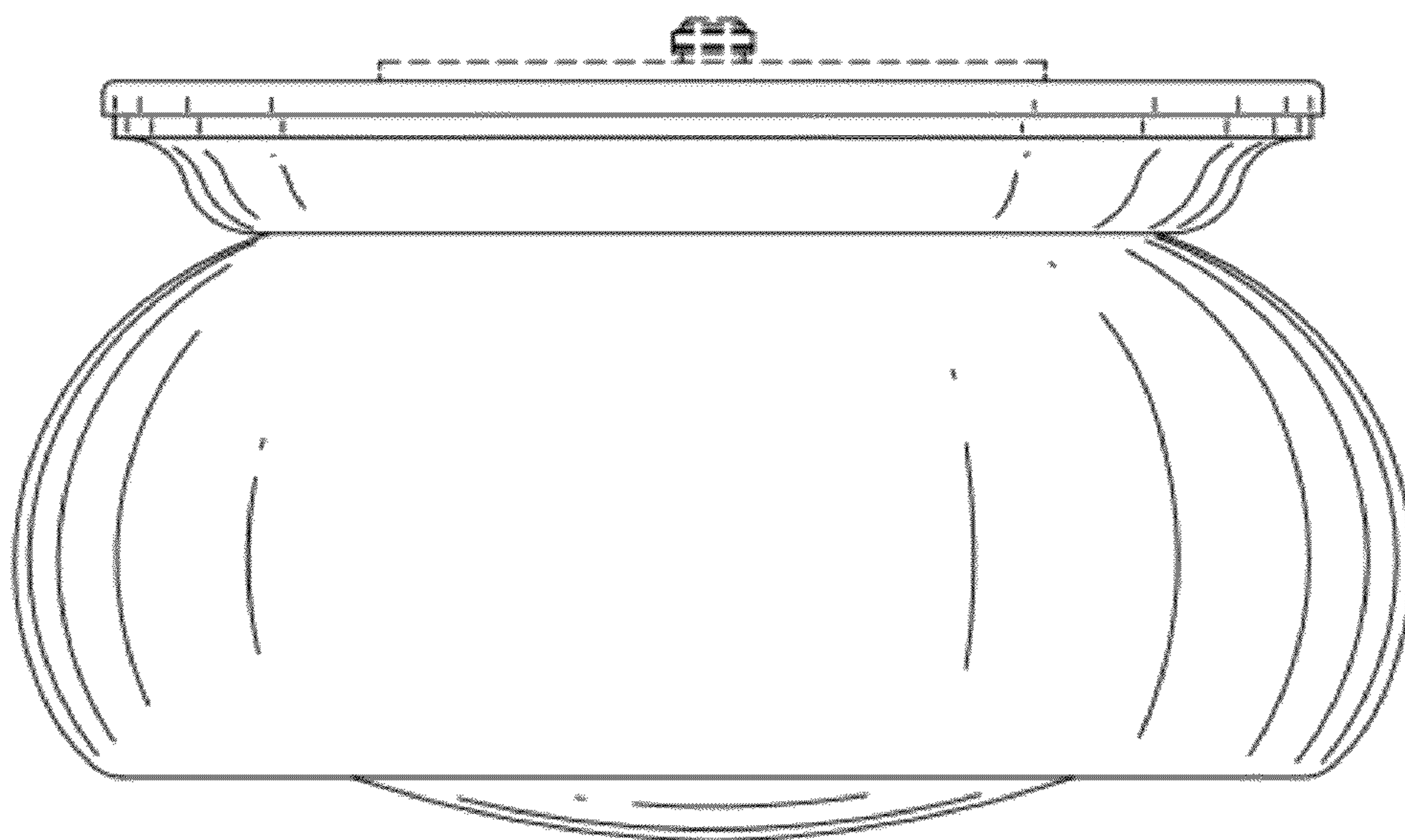


FIG. 5

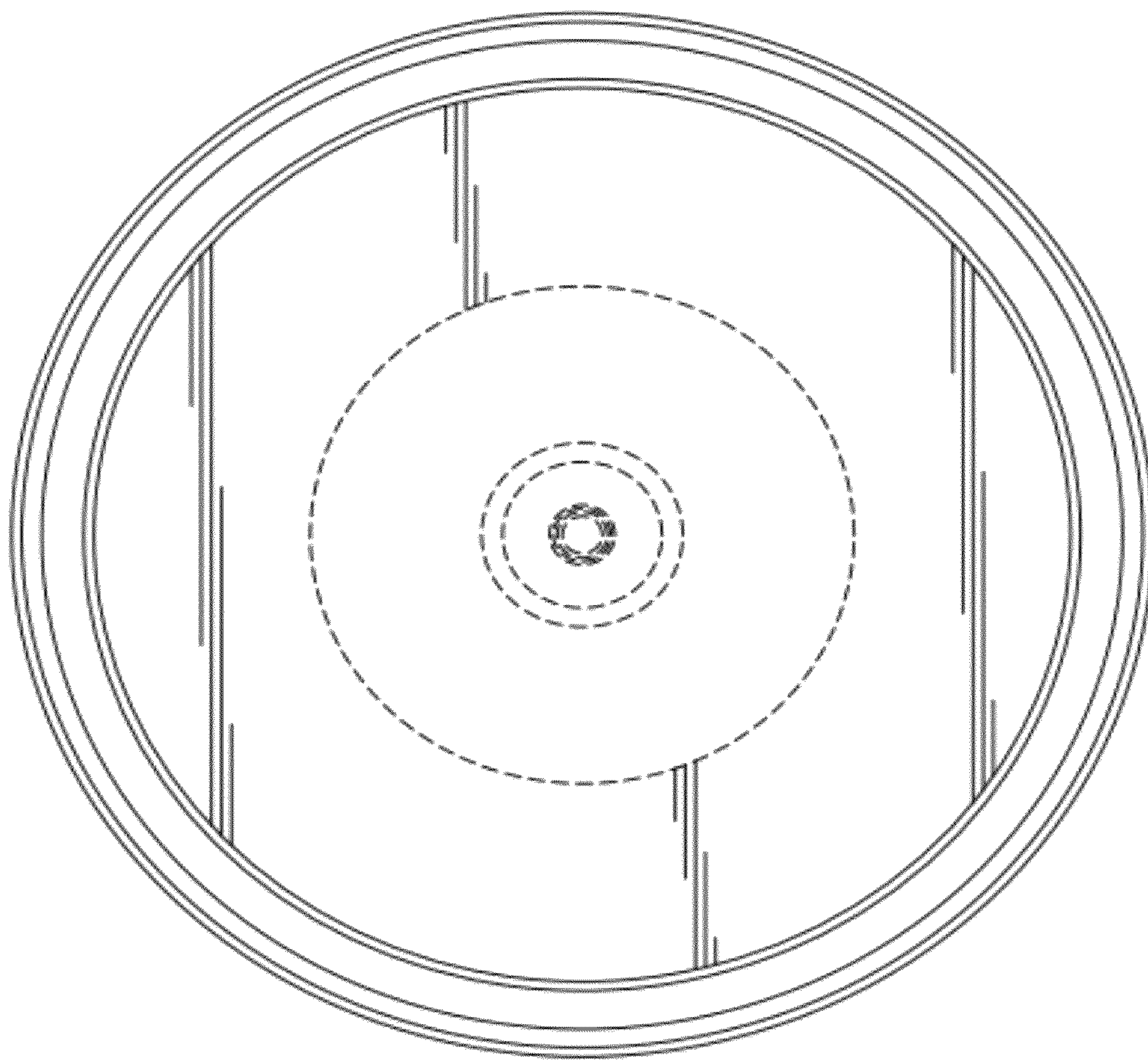


FIG. 6

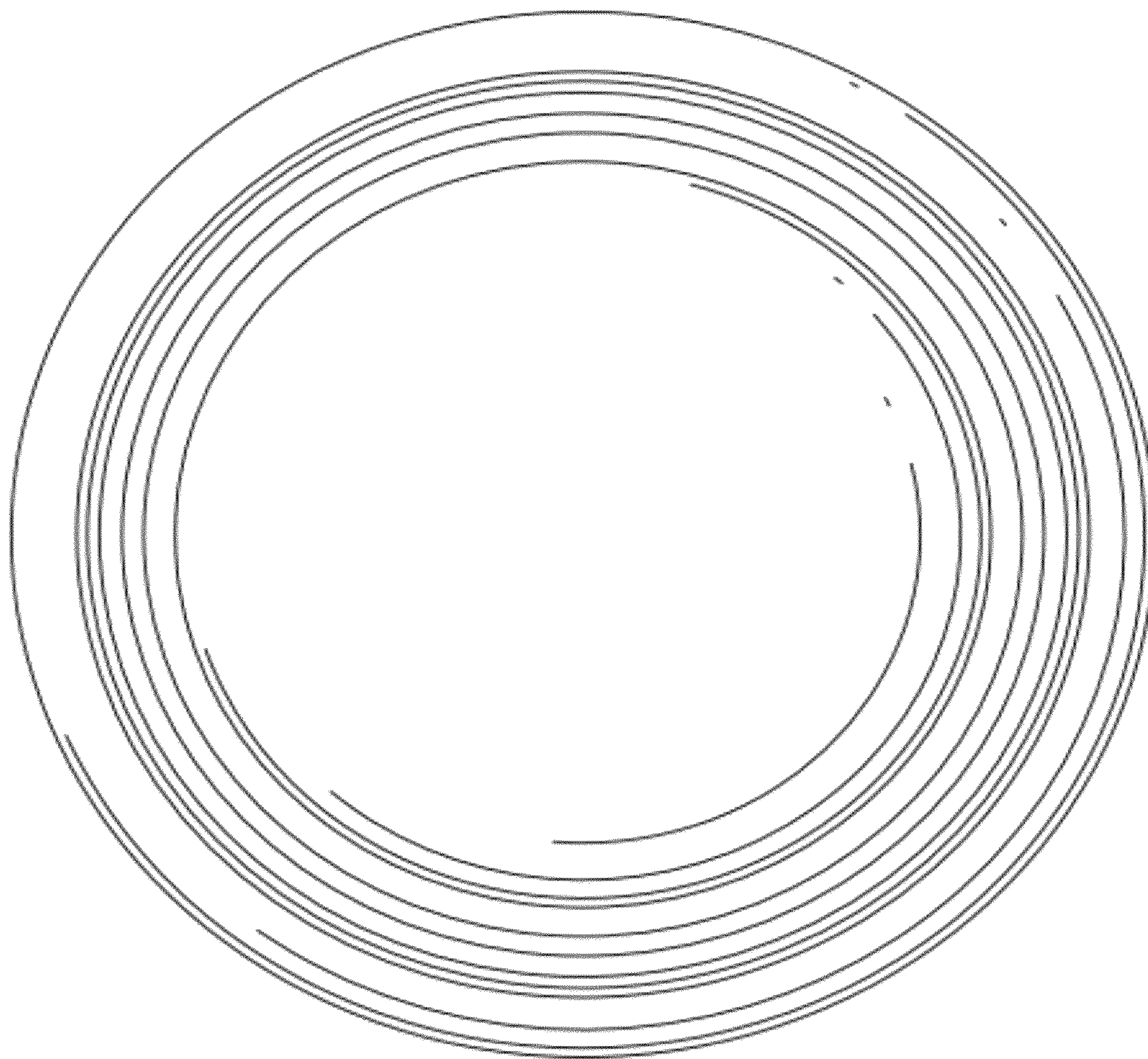


FIG. 7