

US00D663454S

(12) **United States Design Patent**  
**Sham**

(10) **Patent No.:** **US D663,454 S**

(45) **Date of Patent:** **\*\* Jul. 10, 2012**

(54) **WORKLIGHT**

(75) Inventor: **Steven Sham**, Kowloon (HK)

(73) Assignee: **Lumilite International Ltd**, Kowloon (HK)

(\*\*) Term: **14 Years**

(21) Appl. No.: **29/388,833**

(22) Filed: **Apr. 1, 2011**

(51) **LOC (9) Cl.** ..... **26-02**

(52) **U.S. Cl.** ..... **D26/37**

(58) **Field of Classification Search** ..... D26/37,  
D26/38, 39, 40, 44, 46, 49; 362/157, 158,  
362/183, 184, 194-496, 200-208, 253  
See application file for complete search history.

(56) **References Cited**

**U.S. PATENT DOCUMENTS**

D315,029 S *	2/1991	Kwan	.....	D26/42
D384,202 S *	9/1997	Gilmore	.....	D3/274
D425,642 S *	5/2000	Zeller	.....	D26/44
D514,721 S *	2/2006	Osiecki et al.	.....	D26/44
D572,393 S *	7/2008	Johnston et al.	.....	D26/37
D610,726 S *	2/2010	Patel et al.	.....	D26/37
D612,967 S *	3/2010	Gan et al.	.....	D26/46
D617,926 S *	6/2010	Kung	.....	D26/46

D631,586 S *	1/2011	Li et al.	.....	D26/37
D640,397 S *	6/2011	Molina et al.	.....	D26/38
D640,398 S *	6/2011	Molina et al.	.....	D26/38
D643,138 S *	8/2011	Kawase et al.	.....	D26/37

\* cited by examiner

*Primary Examiner* — Ian Simmons

*Assistant Examiner* — Carissa C Fitts

(74) *Attorney, Agent, or Firm* — Schwabe Williamson & Wyatt

(57) **CLAIM**

I claim the ornamental design for a worklight, as shown and described.

**DESCRIPTION**

FIG. 1 is a perspective view of a worklight showing our new design;

FIG. 2 is a front view of the worklight of FIG. 1;

FIG. 3 is a back view of the worklight of FIG. 1;

FIG. 4 is a right side view of the worklight of FIG. 1;

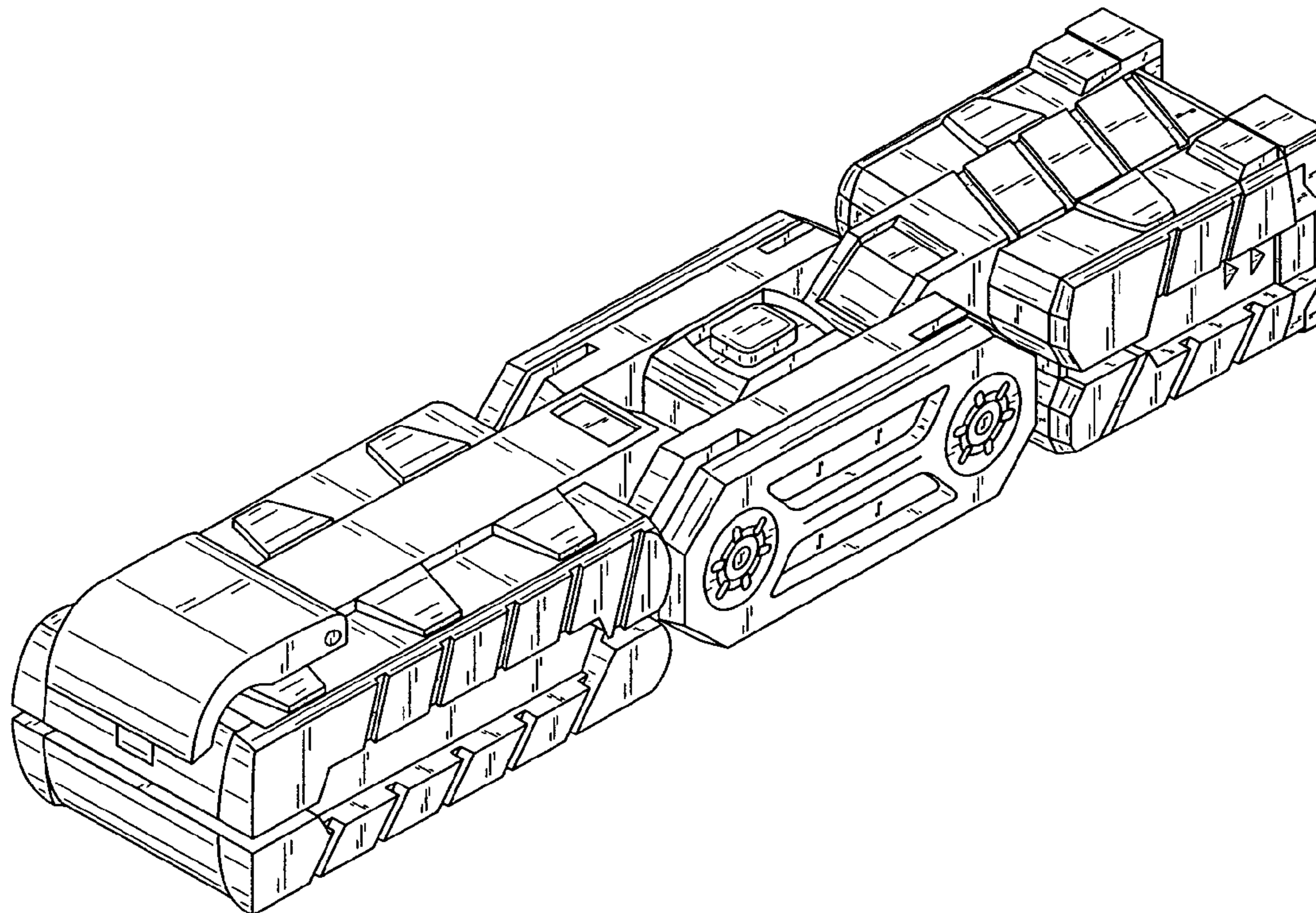
FIG. 5 is a left side view of the worklight of FIG. 1;

FIG. 6 is a top view of the worklight of FIG. 1; and,

FIG. 7 is a bottom view of the worklight of FIG. 1.

The broken line showing is for environmental purposes only and forms no part of the claimed design.

**1 Claim, 4 Drawing Sheets**



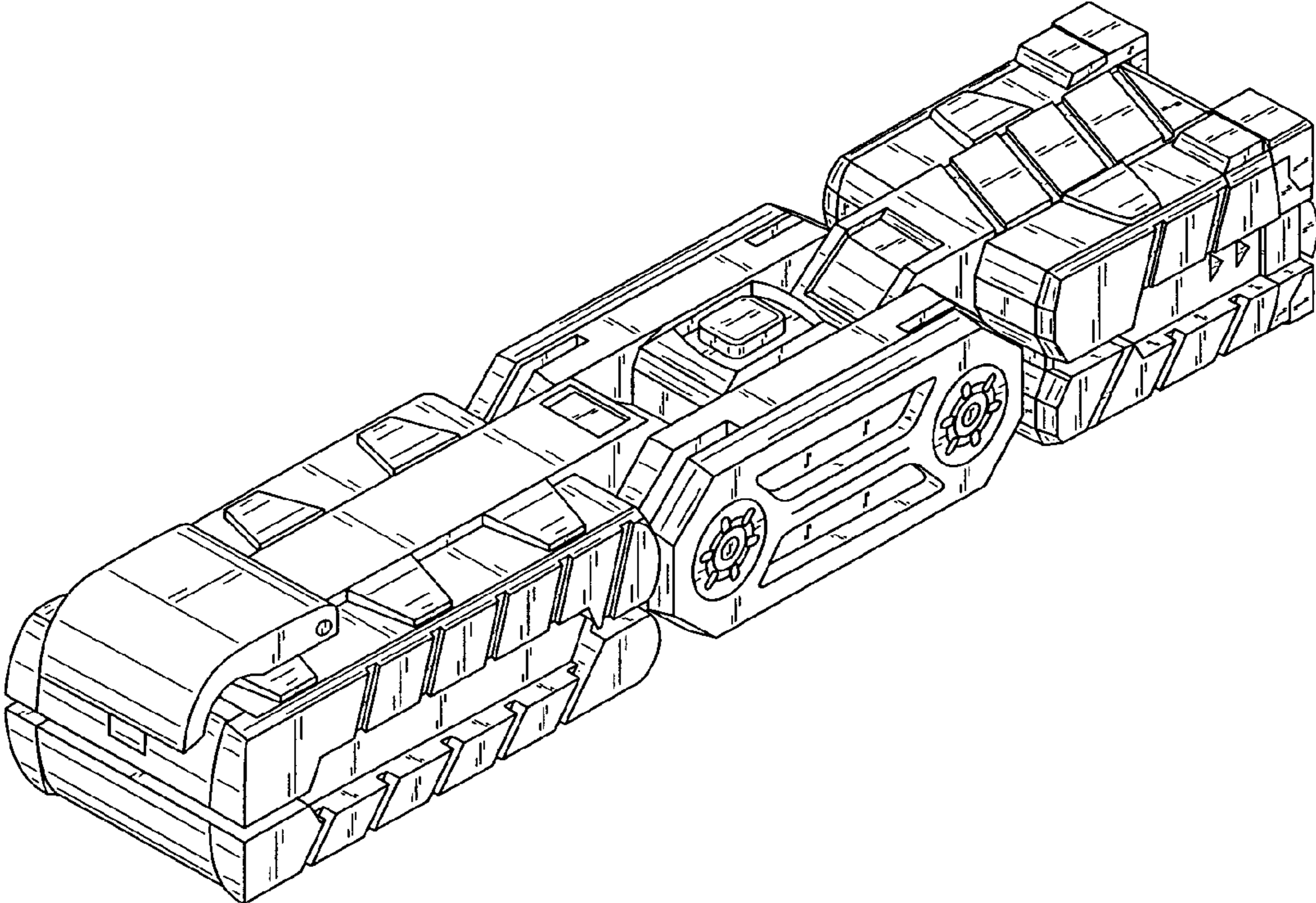


FIG. 1

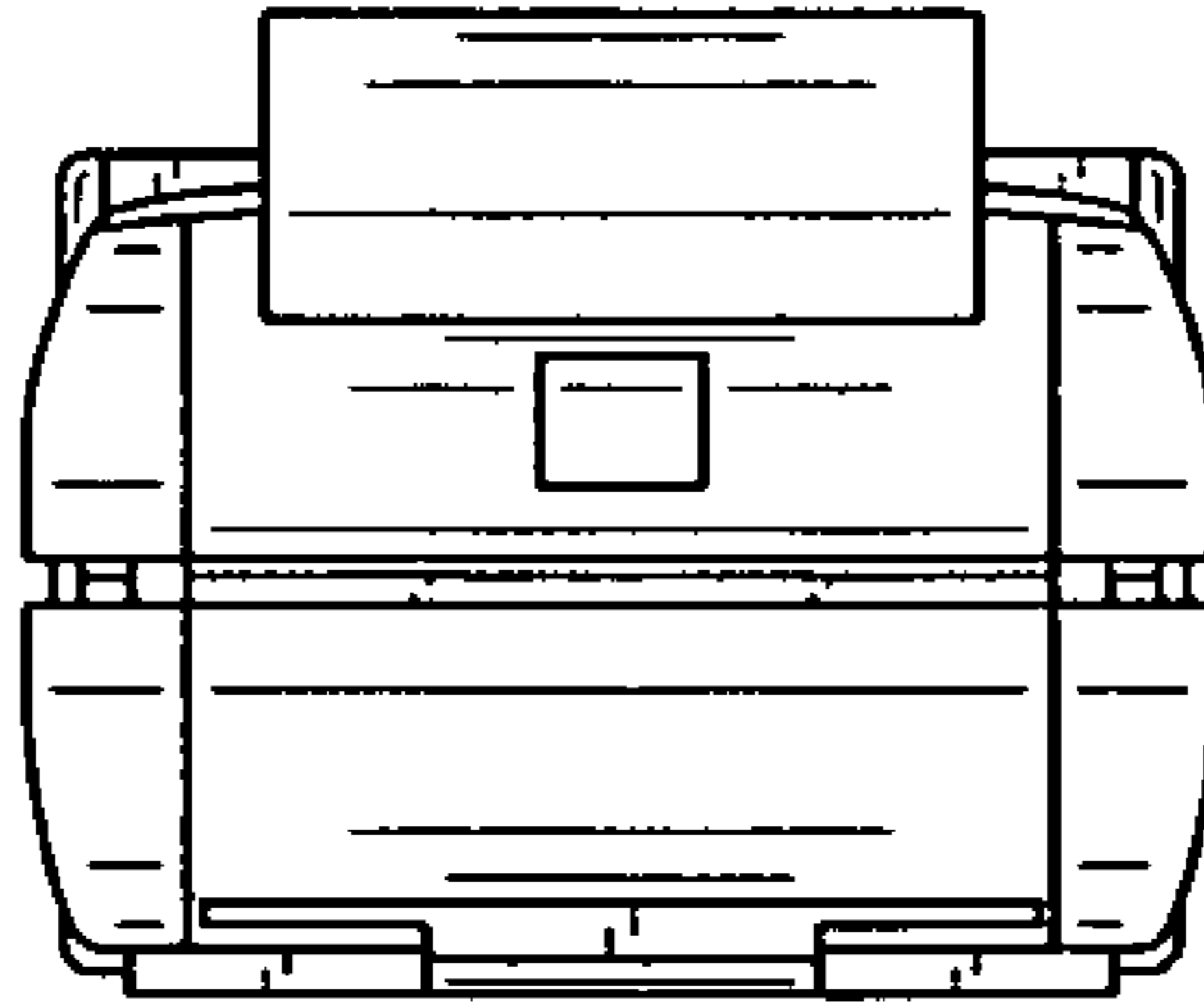


FIG. 2

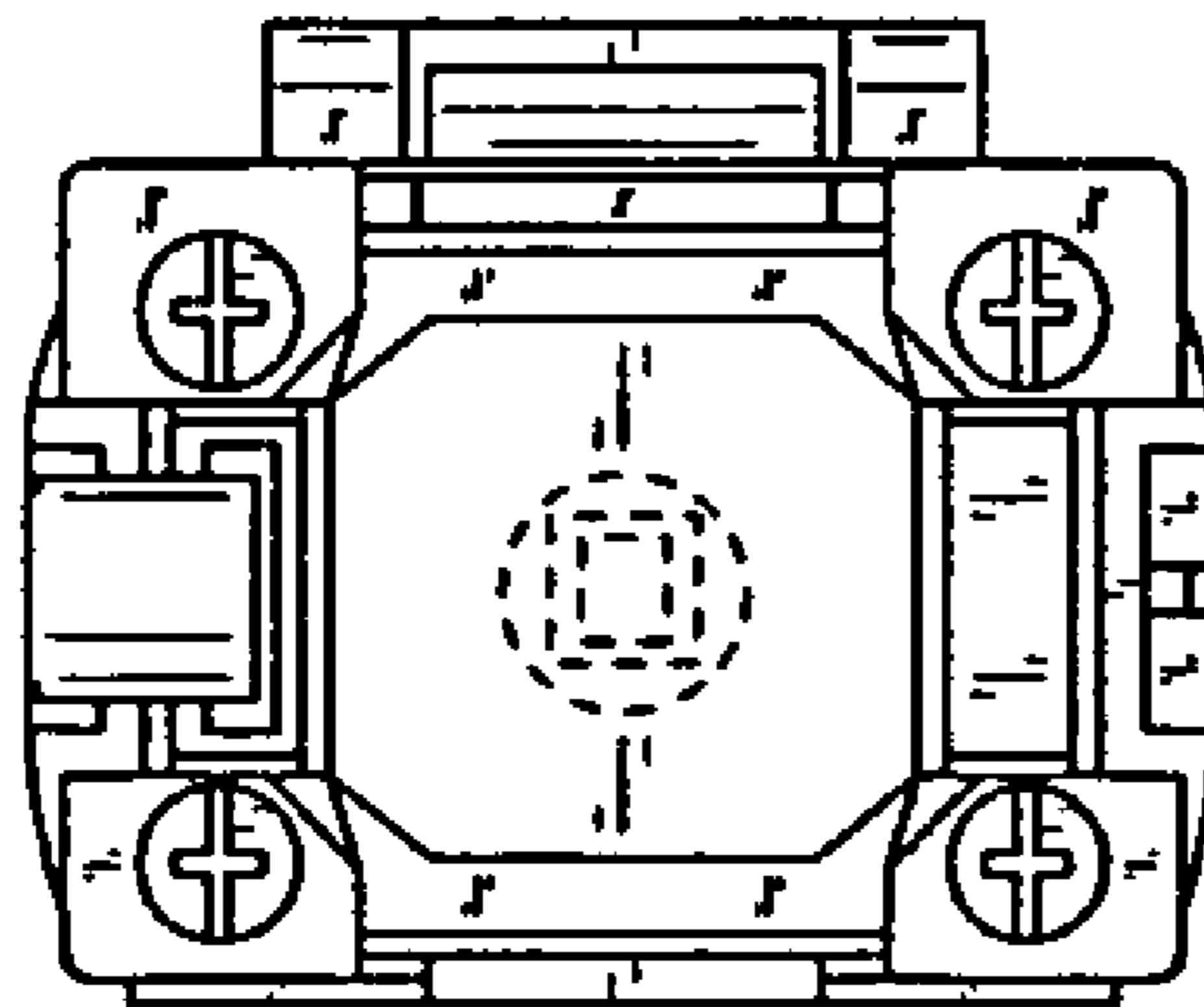


FIG. 3

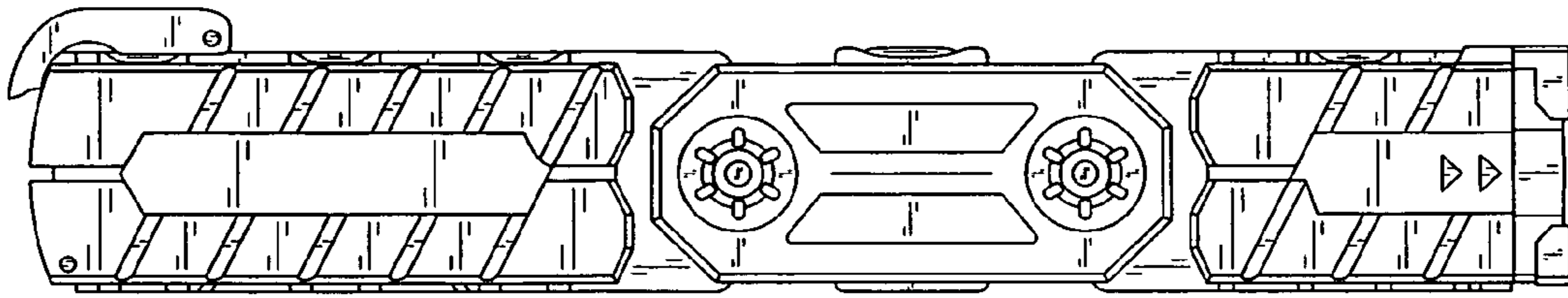


FIG. 4

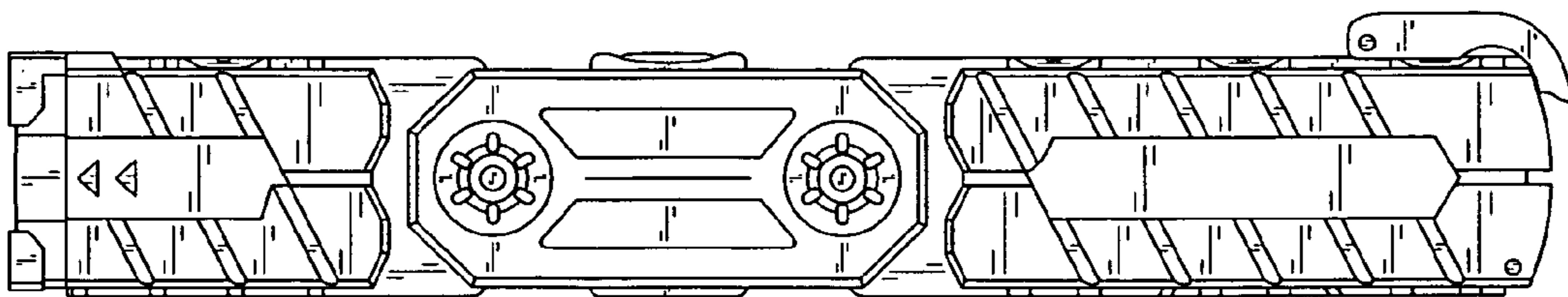


FIG. 5

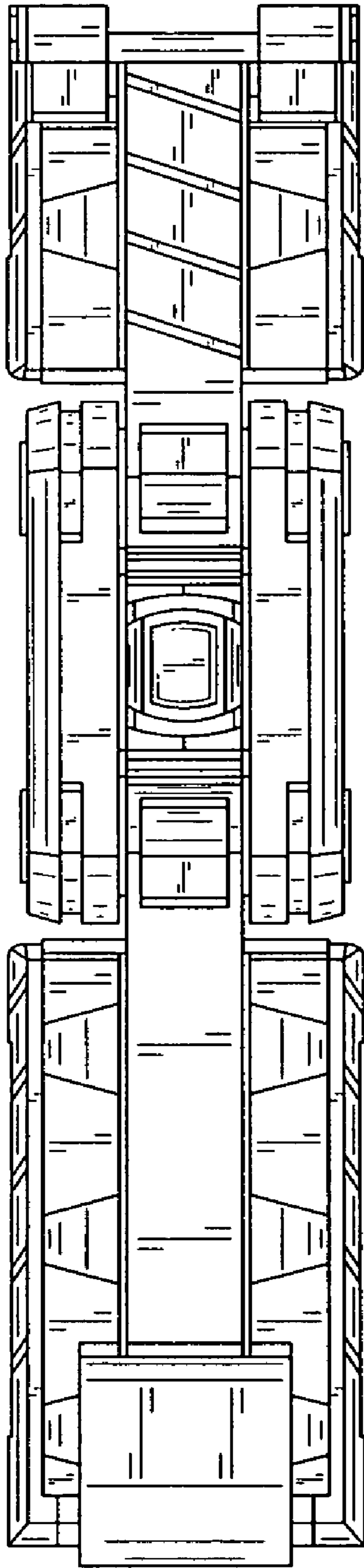


FIG. 6

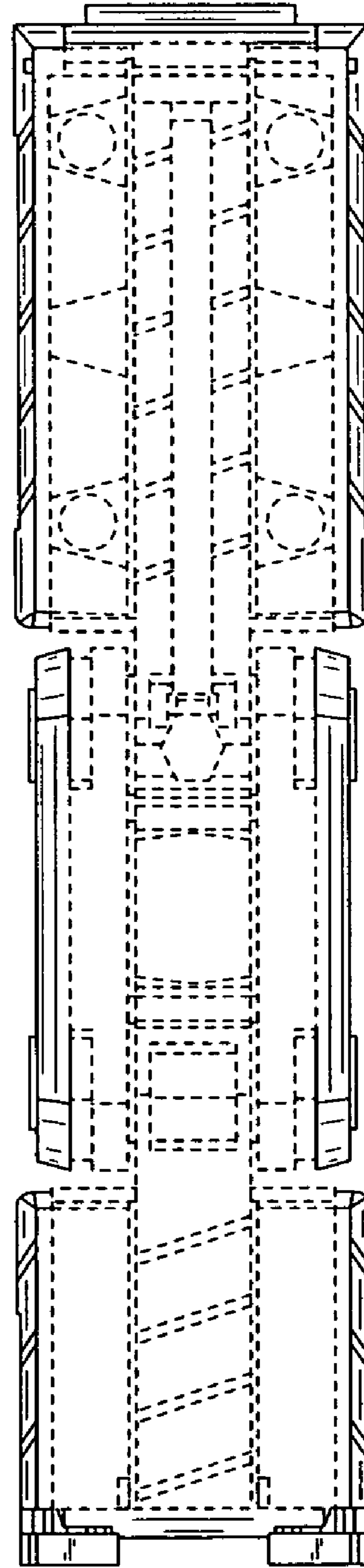


FIG. 7