



US00D663451S

(12) **United States Design Patent**
Ueda et al.

(10) **Patent No.:** **US D663,451 S**
(45) **Date of Patent:** **** Jul. 10, 2012**

(54) **HEADLAMP FOR A BICYCLE**
(75) Inventors: **Takashi Ueda**, Osaka (JP); **Toshiyuki Nagano**, Osaka (JP)
(73) Assignee: **Cateye Co., Ltd.**, Osaka (JP)
(**) Term: **14 Years**

D497,444 S * 10/2004 Okuda et al. D26/28
D498,550 S * 11/2004 Chen D26/28
D514,239 S * 1/2006 Okuda D26/28
D540,481 S * 4/2007 Okuda D26/28
D540,966 S * 4/2007 Ueda et al. D26/28
D541,447 S * 4/2007 Ueda et al. D26/28
D560,834 S * 1/2008 Nagano D26/28
D605,790 S * 12/2009 Hsing-Tsun D26/28
D629,538 S * 12/2010 Nagano D26/28

(21) Appl. No.: **29/374,499**

FOREIGN PATENT DOCUMENTS

JP D1294514 2/2007

(22) Filed: **Aug. 23, 2011**

* cited by examiner

(30) **Foreign Application Priority Data**

Primary Examiner — Marcus Jackson

(74) *Attorney, Agent, or Firm* — Olson & Cepuritis, Ltd.

Mar. 11, 2011 (JP) 2011-005597

(57) **CLAIM**

(51) **LOC (9) Cl.** **26-06**

The ornamental design for a headlamp for a bicycle, as shown.

(52) **U.S. Cl.** **D26/28**

DESCRIPTION

(58) **Field of Classification Search** D26/28-36;
362/459-468, 475-478, 485-487
See application file for complete search history.

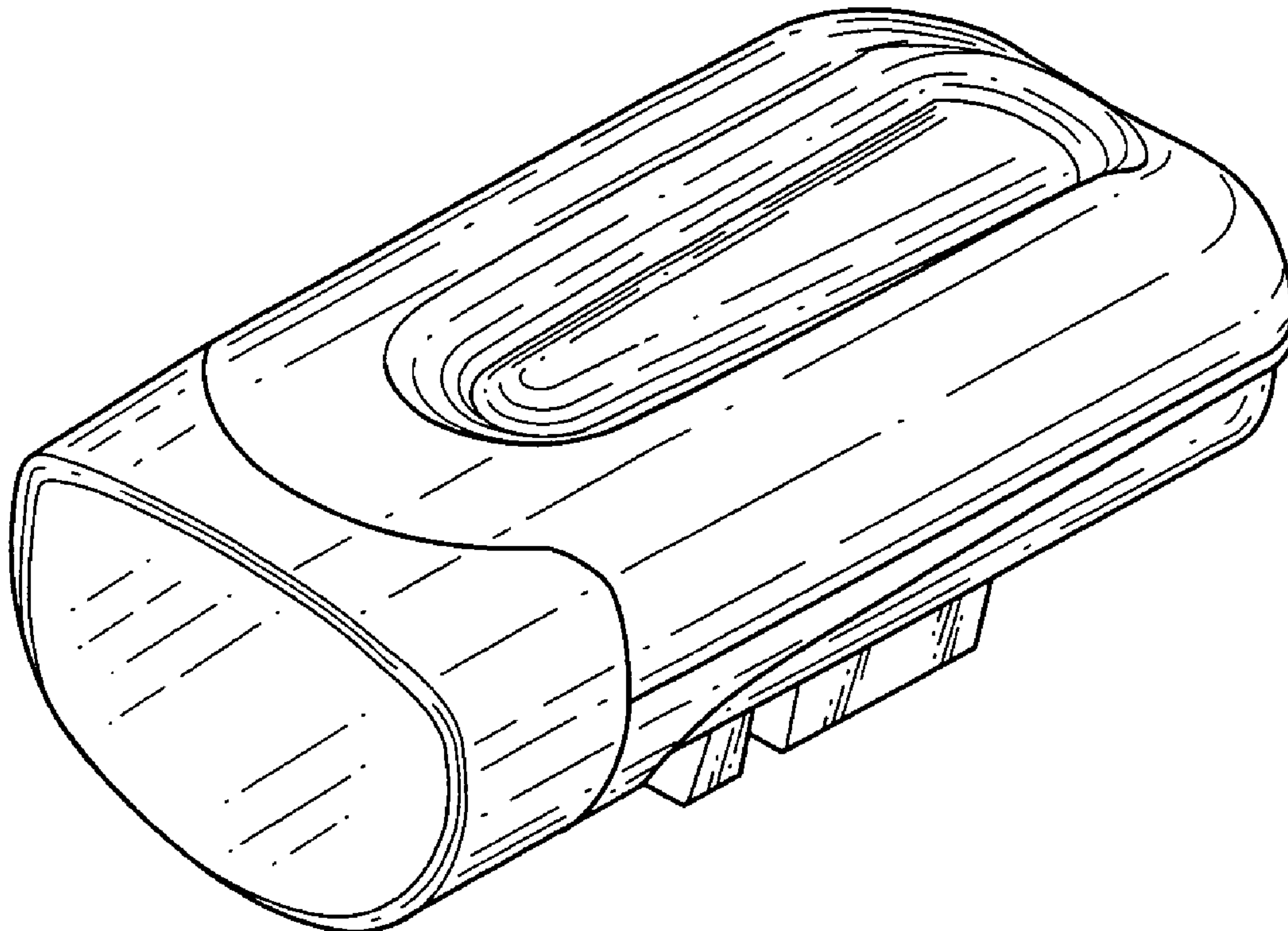
FIG. 1 is a perspective view of a headlamp for a bicycle showing our new design;
FIG. 2 is a front view thereof;
FIG. 3 is a rear view thereof;
FIG. 4 is a top plan view thereof;
FIG. 5 is a bottom plan view thereof;
FIG. 6 is a right side view thereof; and,
FIG. 7 is a left side view thereof.

(56) **References Cited**

U.S. PATENT DOCUMENTS

D441,107 S * 4/2001 Okuda D26/28
D441,471 S * 5/2001 Nagano D26/28
D444,581 S * 7/2001 Okuda D26/28
D446,466 S * 8/2001 Chiu D10/114.1

1 Claim, 4 Drawing Sheets



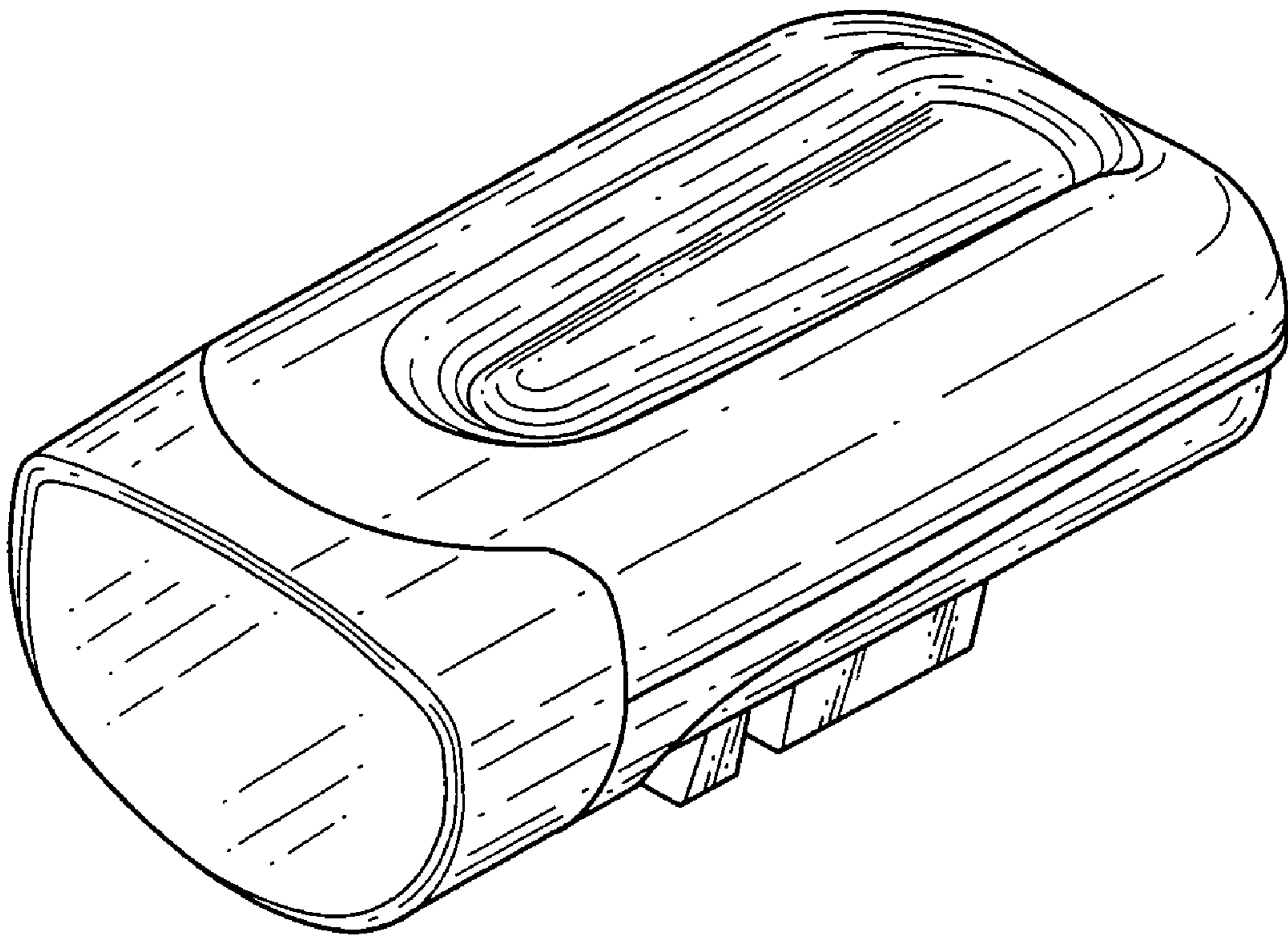


Fig. 1

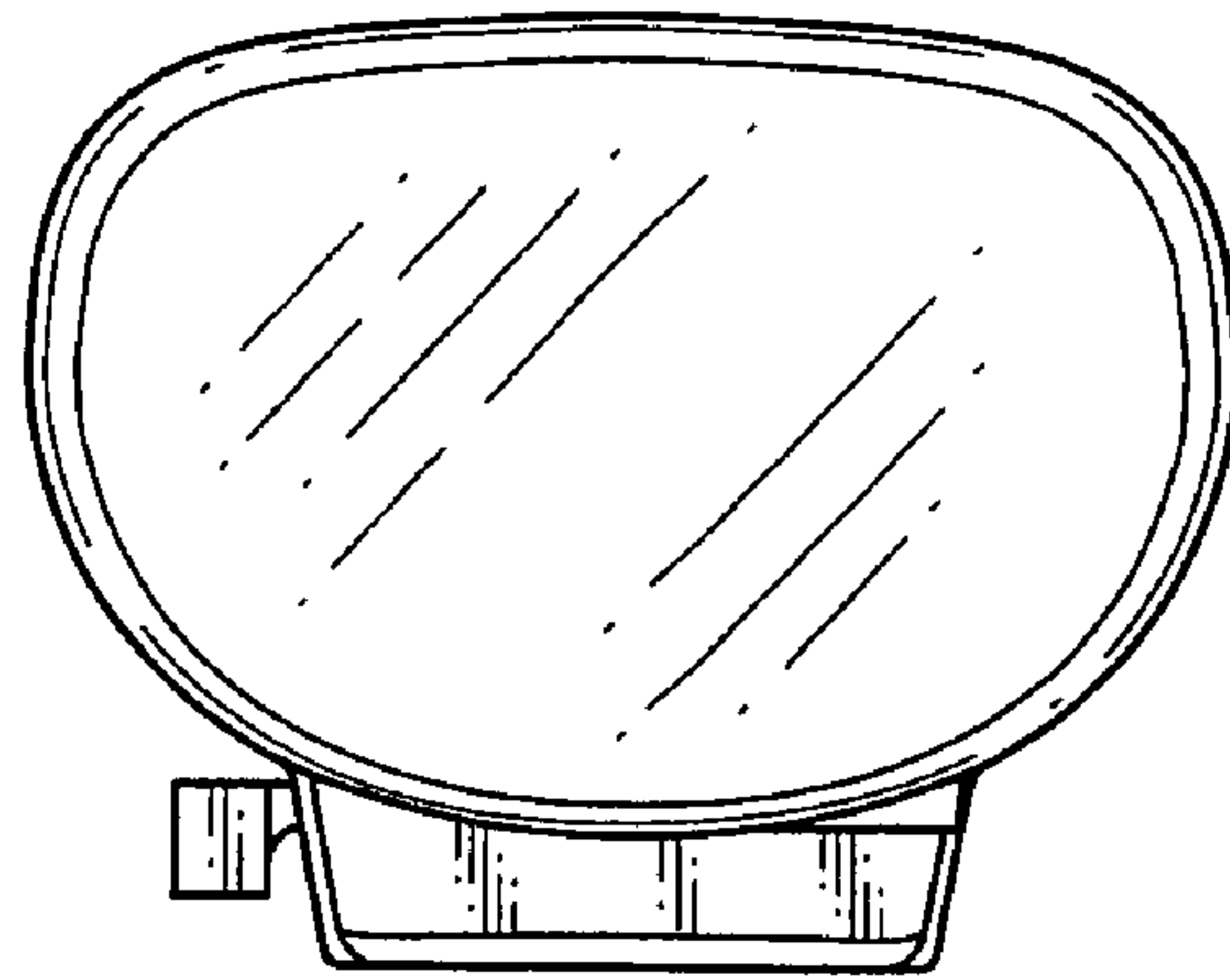


Fig. 2

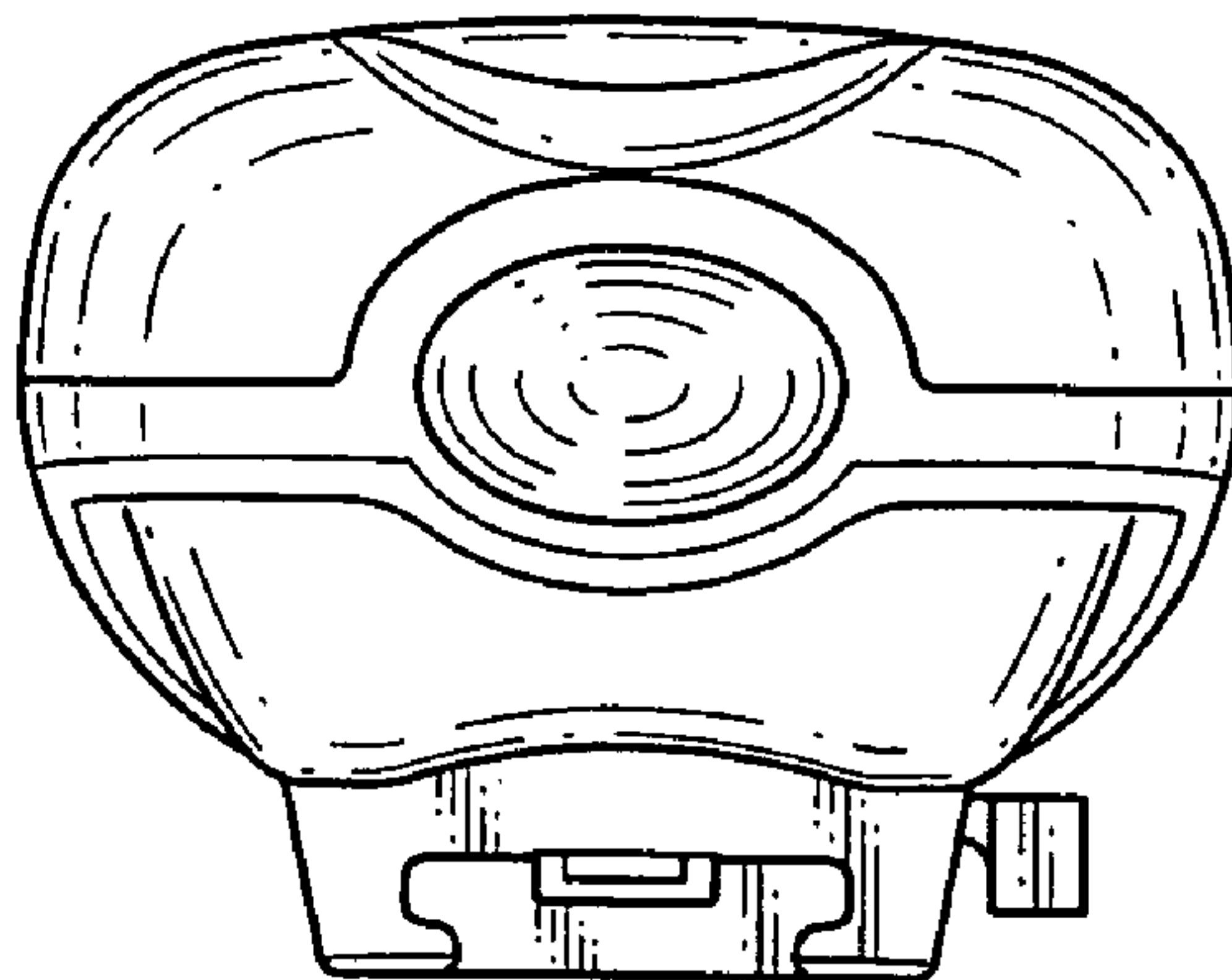


Fig. 3

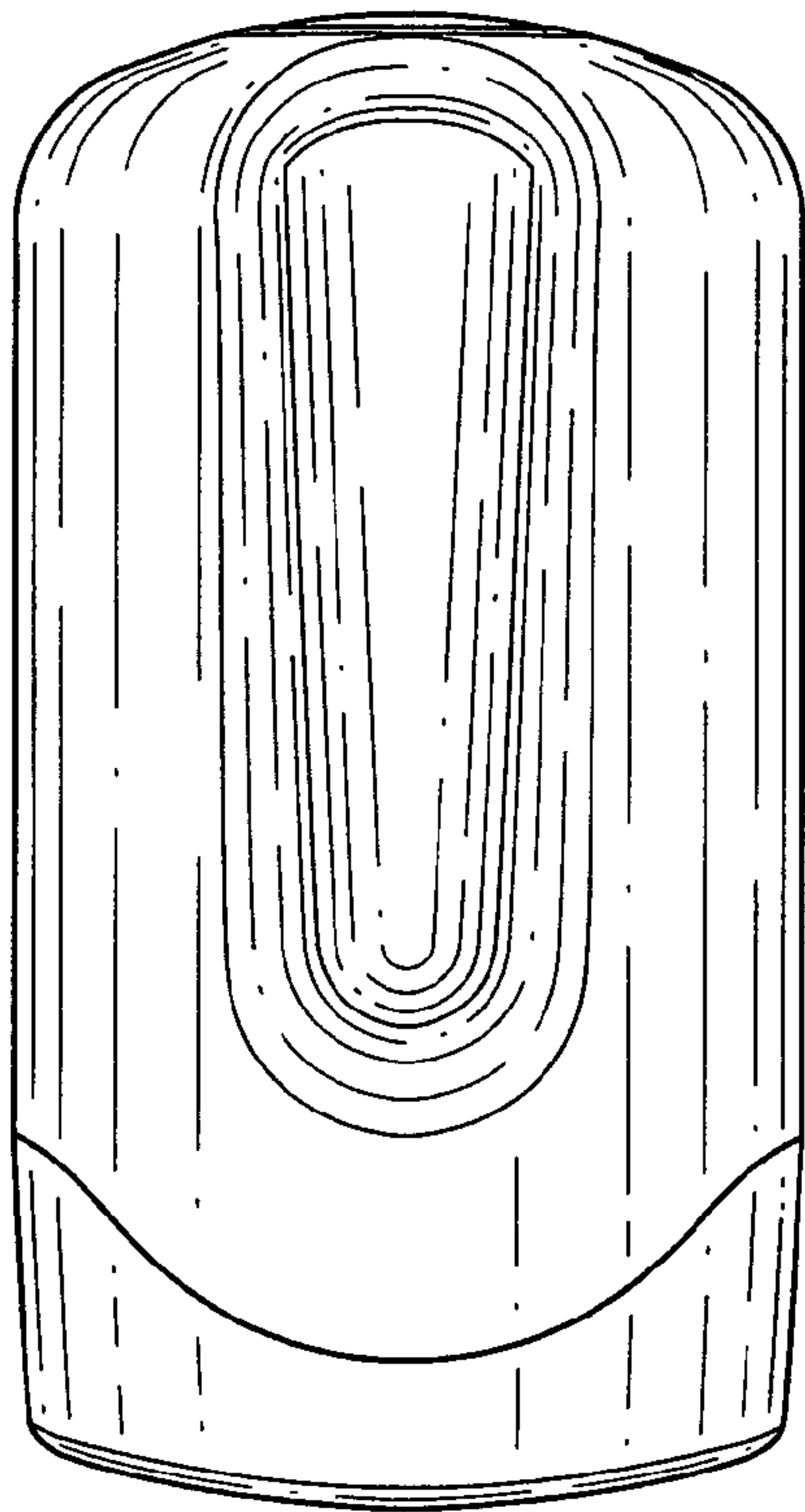


Fig. 4

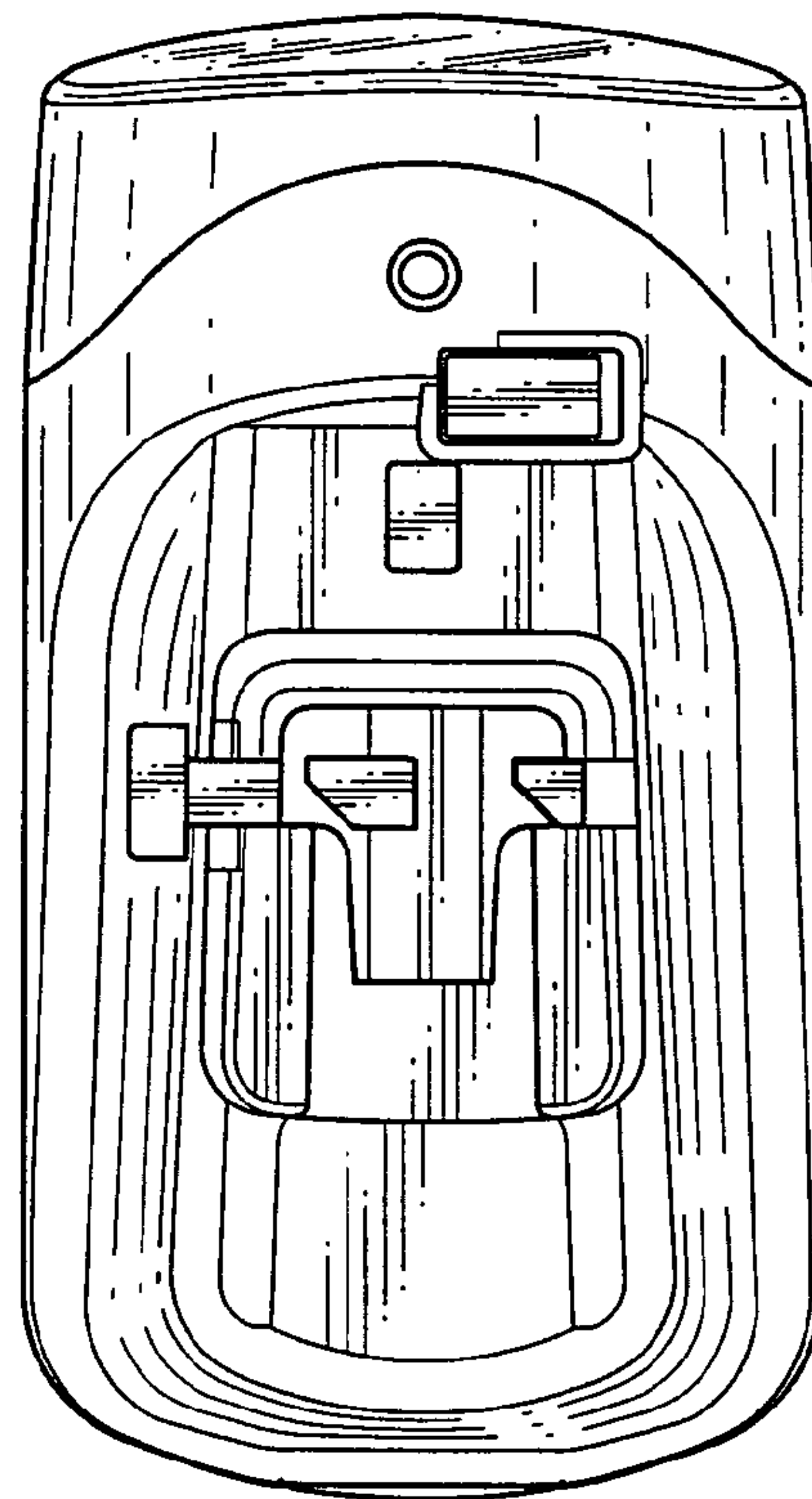


Fig. 5

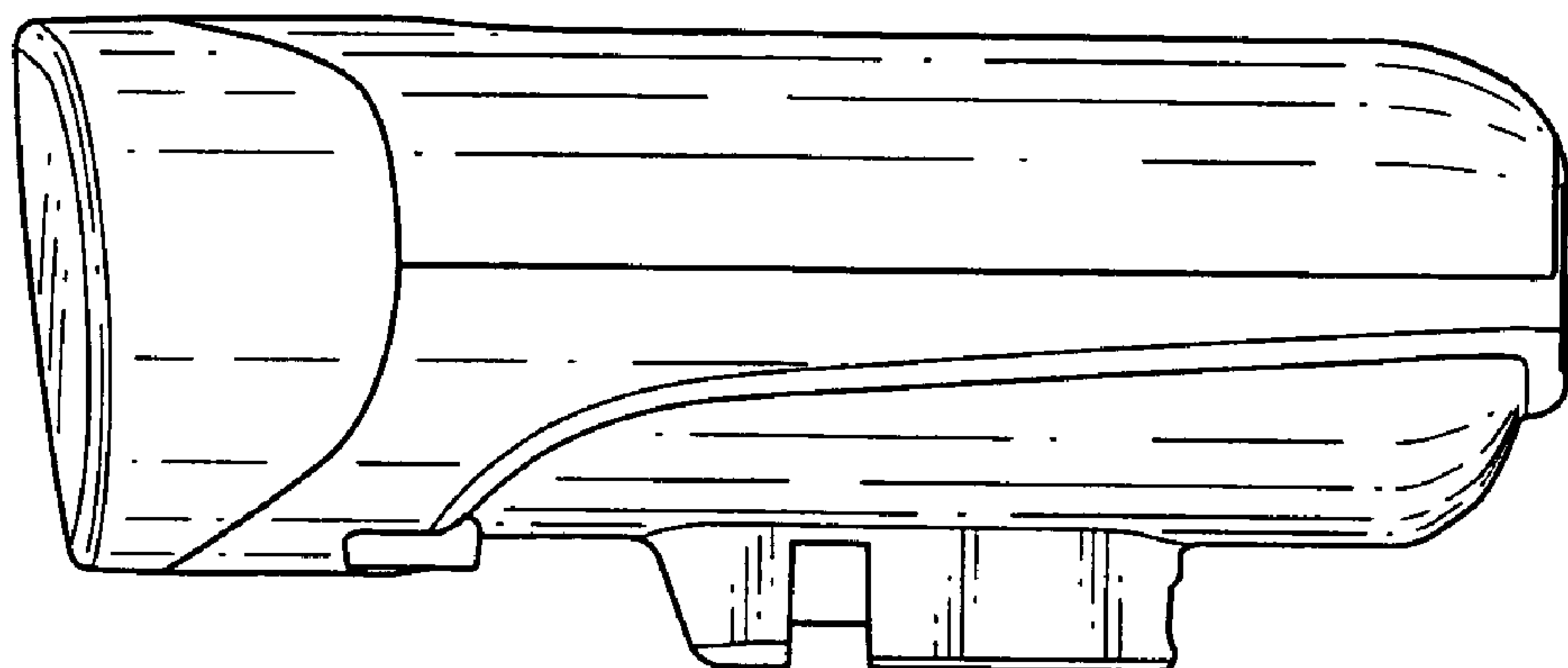


Fig. 6

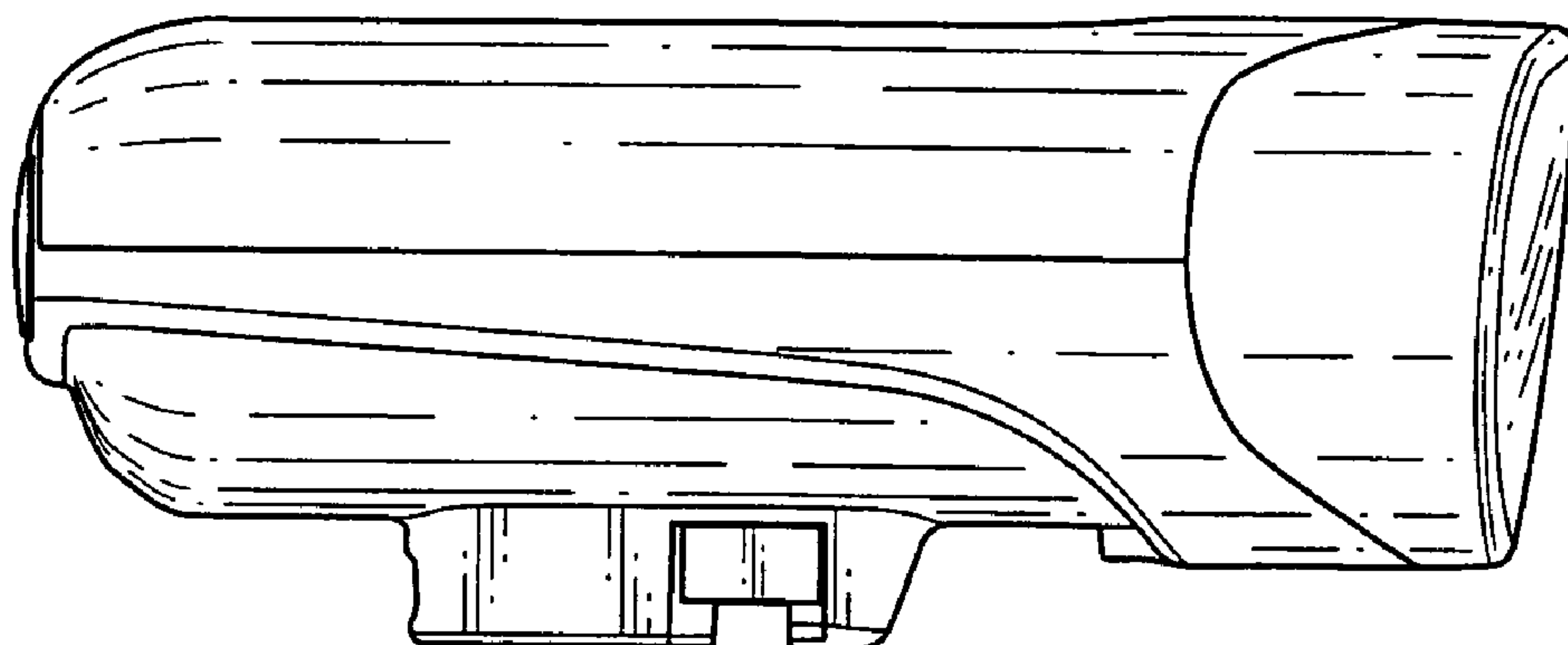


Fig. 7