



US00D663449S

(12) **United States Design Patent**
Wakamiya et al.

(10) **Patent No.:** **US D663,449 S**
(45) **Date of Patent:** **** Jul. 10, 2012**

(54) **LIGHT-EMITTING DIODE LAMP**

(75) Inventors: **Akihito Wakamiya**, Hyogo (JP); **Akio Kitada**, Osaka (JP); **Yoshinori Kakuno**, Osaka (JP); **Katsushi Seki**, Shiga (JP)

(73) Assignee: **Panasonic Corporation**, Osaka (JP)

(**) Term: **14 Years**

(21) Appl. No.: **29/394,764**

(22) Filed: **Jun. 21, 2011**

(30) **Foreign Application Priority Data**

May 13, 2011 (JP) 2011-010743

(51) **LOC (9) Cl.** **26-04**

(52) **U.S. Cl.** **D26/3**

(58) **Field of Classification Search** D26/1-4;
313/313, 315, 316, 317, 318, 493; 315/52,
315/53, 56, 57, 58

See application file for complete search history.

(56) **References Cited**

U.S. PATENT DOCUMENTS

D584,429 S * 1/2009 Pei et al. D26/3
D606,673 S * 12/2009 Kao D26/3
D610,724 S * 2/2010 Chiang et al. D26/3
D611,172 S * 3/2010 Lin et al. D26/3
D636,504 S * 4/2011 Duster D26/3

FOREIGN PATENT DOCUMENTS

JP D1407531 2/2011

* cited by examiner

Primary Examiner — Marcus Jackson

(74) *Attorney, Agent, or Firm* — Brinks Hofer Gilson & Lione

(57) **CLAIM**

We claim the ornamental design for a light-emitting diode lamp, as shown and described.

DESCRIPTION

FIG. 1 is a front perspective view of a light-emitting diode lamp of the present invention;

FIG. 2 is a rear perspective view thereof;

FIG. 3 is a front view thereof;

FIG. 4 is a rear view thereof;

FIG. 5 is a first side view thereof;

FIG. 6 is a second side view thereof;

FIG. 7 is a top view thereof; and,

FIG. 8 is a bottom view thereof.

The broken line showing of light-emitting diode lamp is included for the purpose of illustrating environment and forms no part of the claimed design.

It is understood that the bracketed portion represents indeterminate length.

1 Claim, 5 Drawing Sheets

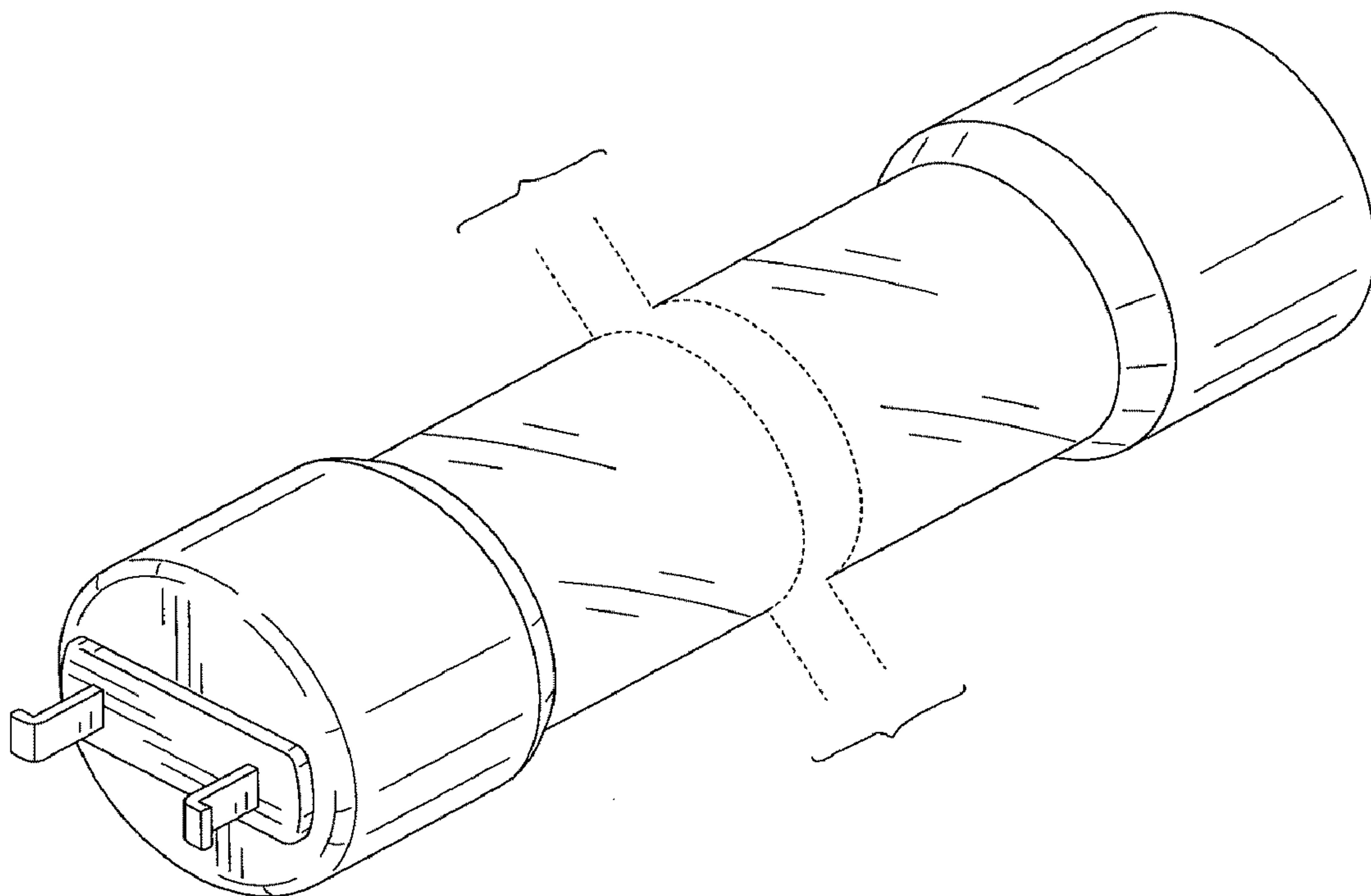


FIG.1

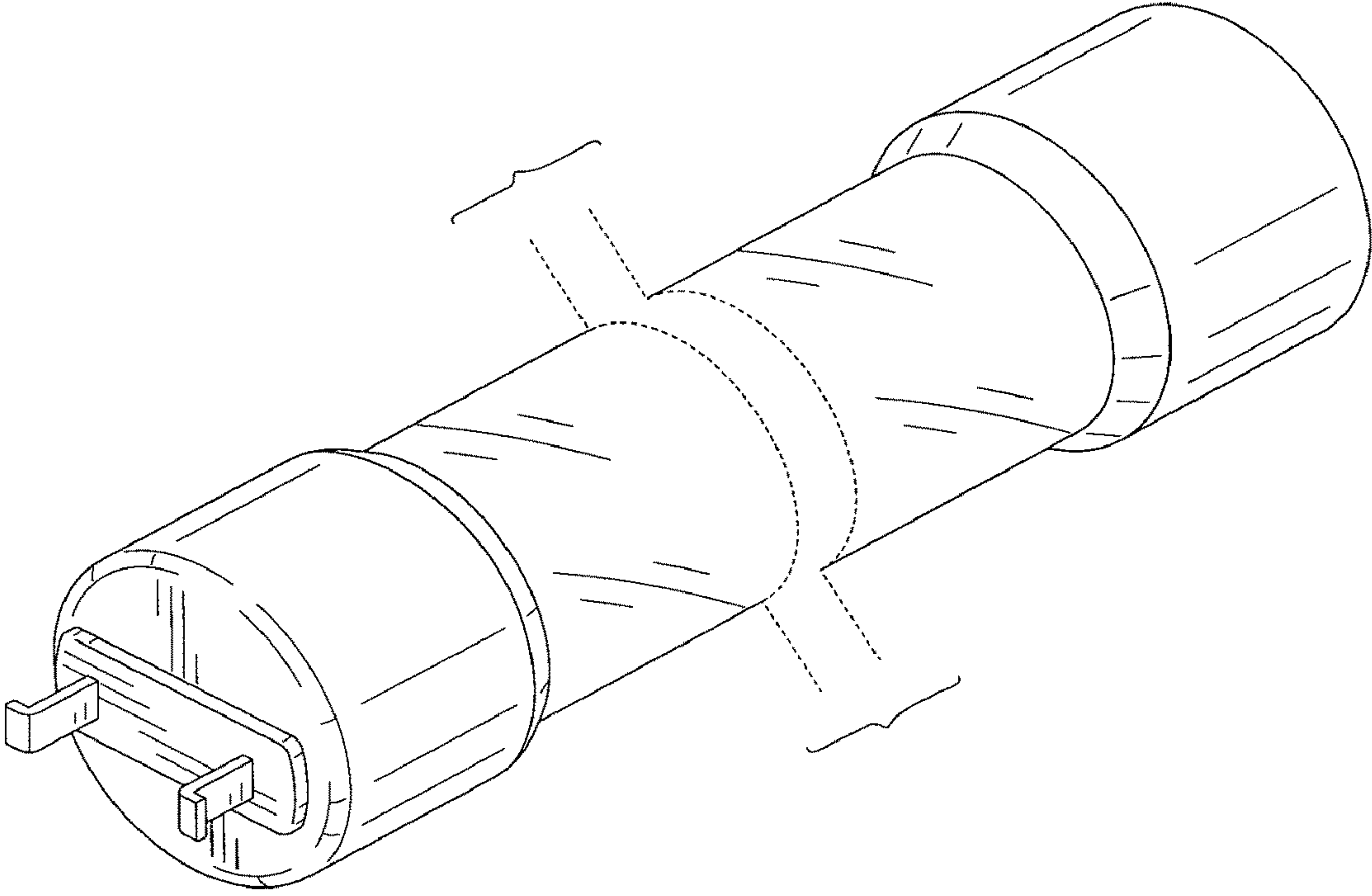


FIG.2

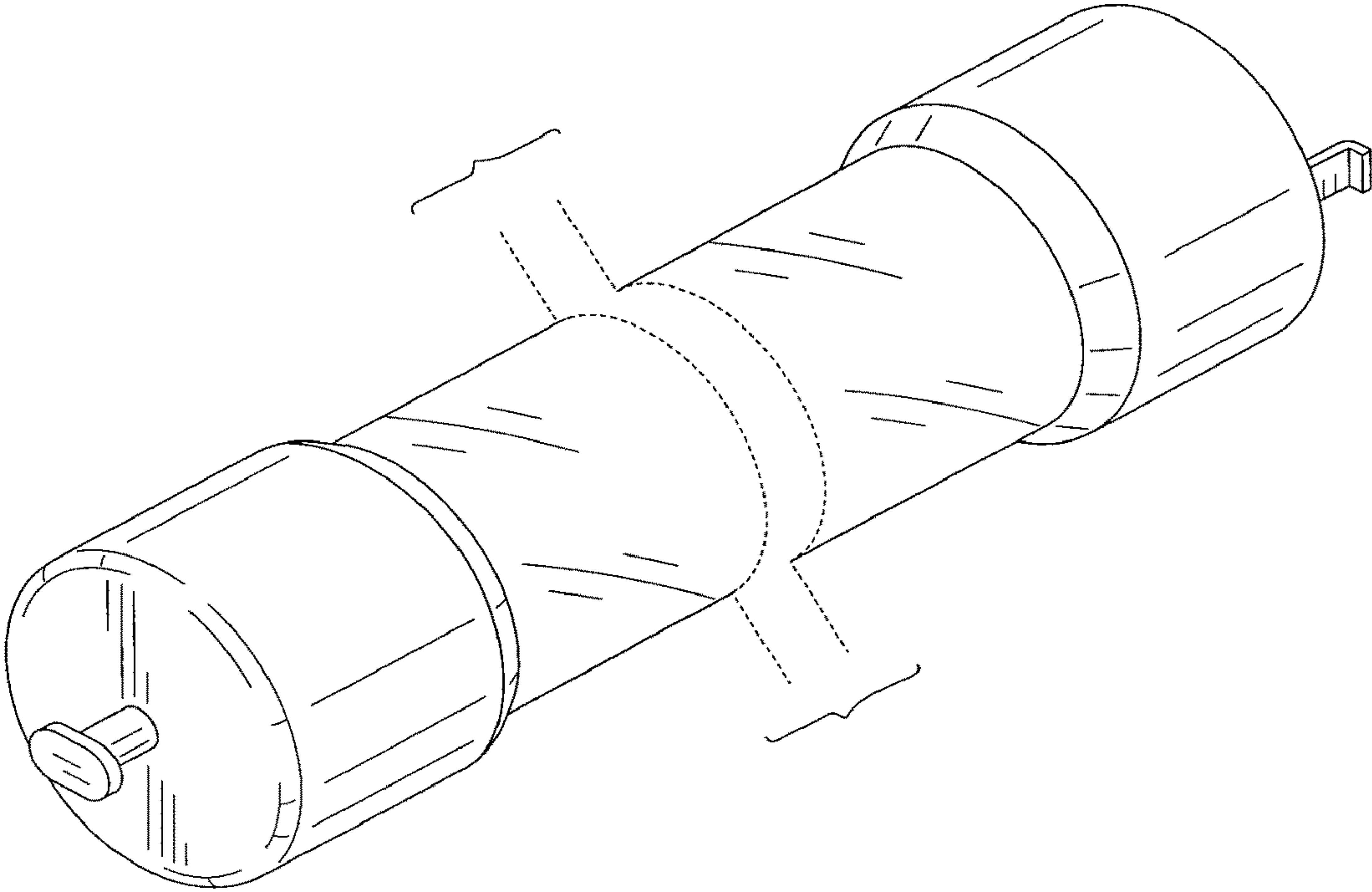


FIG.3

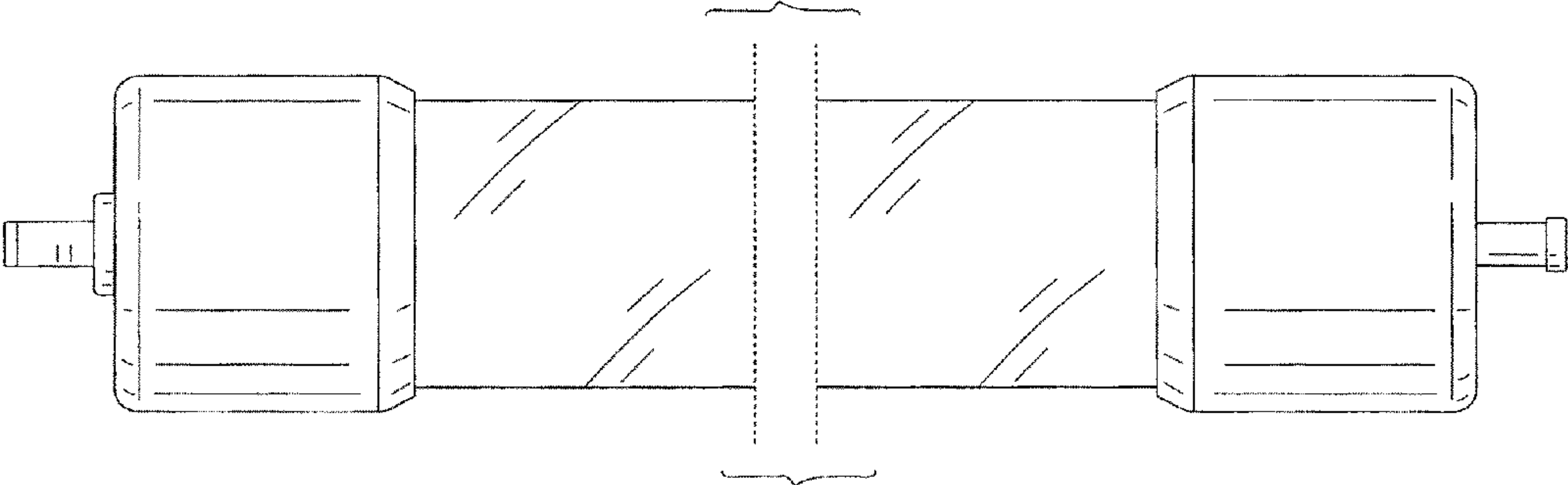


FIG.4

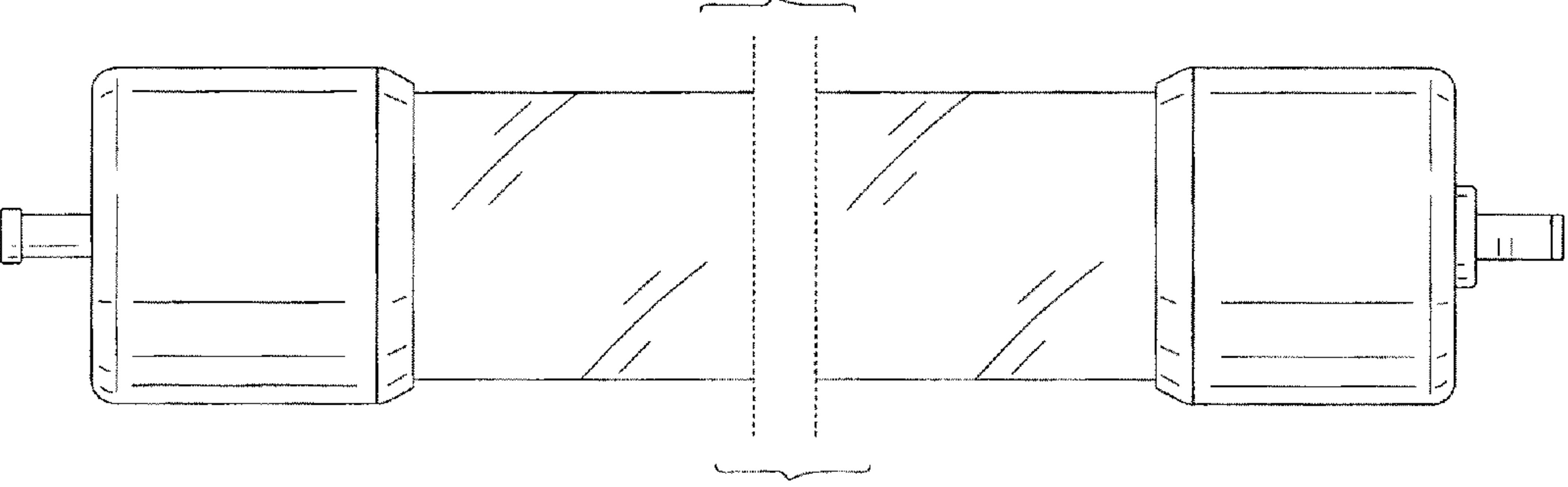


FIG. 5

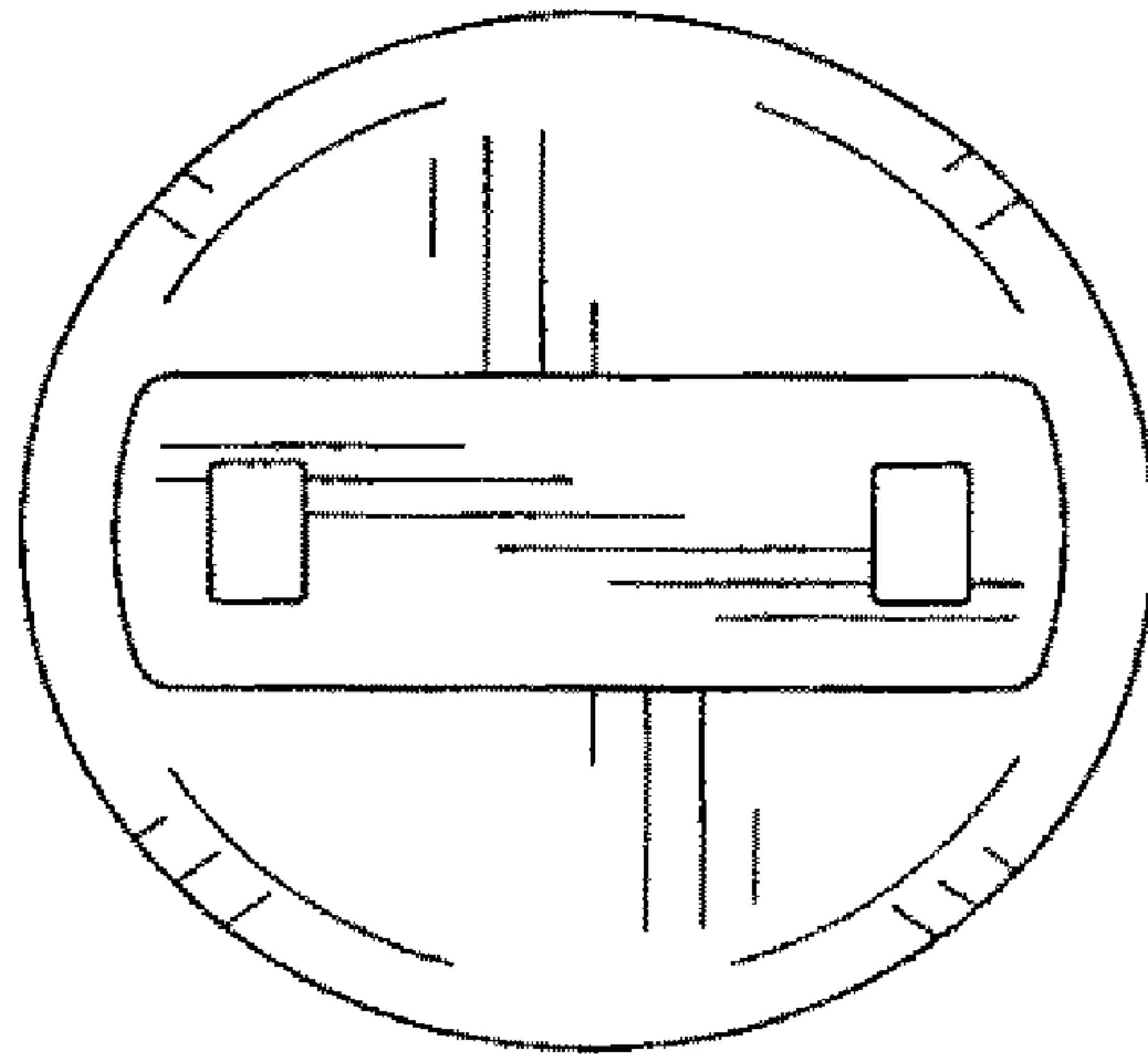


FIG. 6

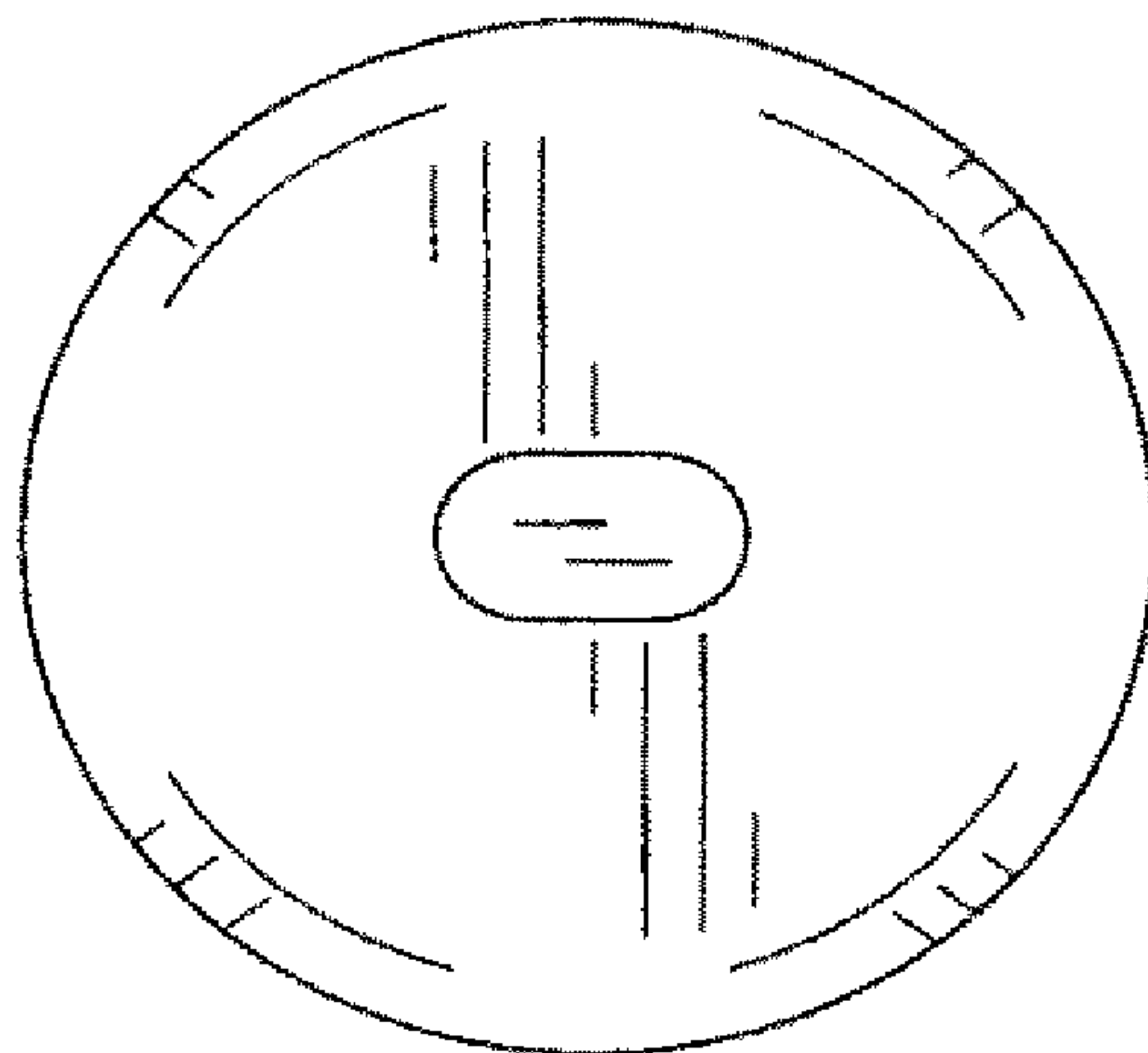


FIG.7

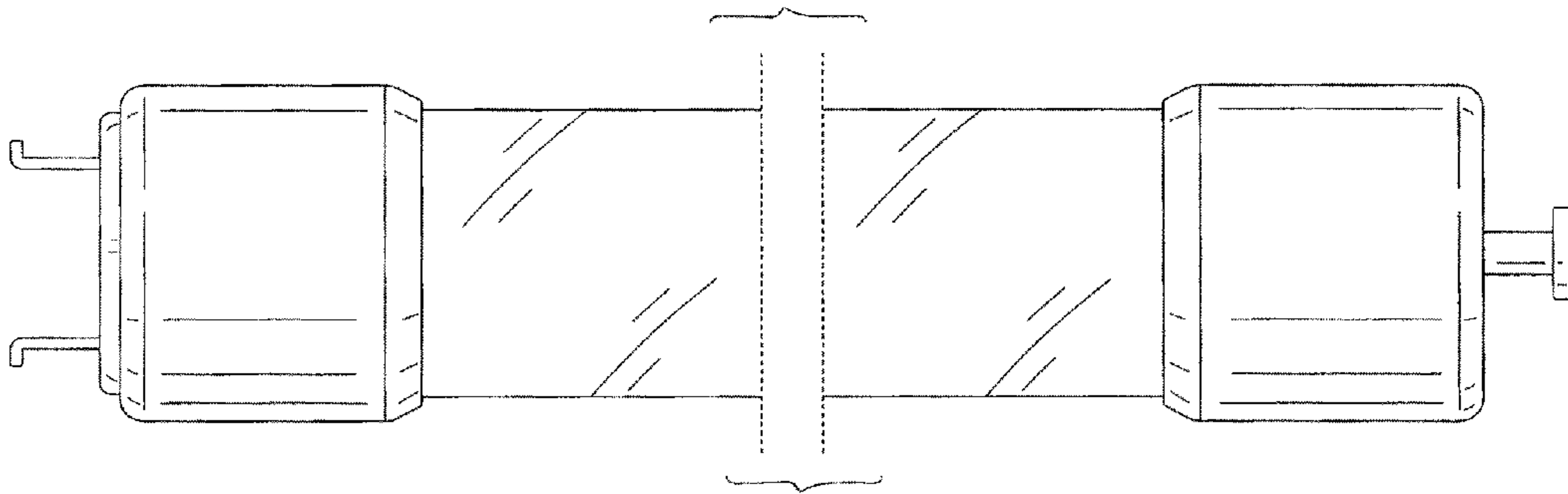


FIG.8

