



US00D663447S

(12) **United States Design Patent**
Lee et al.

(10) **Patent No.:** **US D663,447 S**
(45) **Date of Patent:** **** Jul. 10, 2012**

- (54) **LIGHT EMITTING DIODE LAMP**
- (75) Inventors: **Jiann-Hung Lee**, Taipei County (TW);
Ming-Chih Huang, Taipei County (TW)
- (73) Assignees: **Cal-Comp Electronics & Communications Company Limited**,
New Taipei (TW); **Kinpo Electronics, Inc.**, New Taipei (TW)

- (**) Term: **14 Years**
- (21) Appl. No.: **29/378,890**
- (22) Filed: **Nov. 11, 2010**

- (30) **Foreign Application Priority Data**
 - Jul. 9, 2010 (TW) 99303409
 - Jul. 12, 2010 (TW) 99303409U01
 - Jul. 15, 2010 (TW) 99303503
- (51) **LOC (9) Cl.** **26-04**
- (52) **U.S. Cl.** **D26/2**
- (58) **Field of Classification Search** D26/1-4;
313/313, 315, 316, 317, 318, 493; 315/52,
315/53, 56, 57, 58
See application file for complete search history.

- (56) **References Cited**
 - U.S. PATENT DOCUMENTS
 - D508,575 S * 8/2005 Buschmann et al. D26/2
 - D528,227 S * 9/2006 Chou et al. D26/2
 - D531,741 S * 11/2006 Takahashi D26/2
 - D534,665 S * 1/2007 Egawa et al. D26/2
 - D581,556 S * 11/2008 To et al. D26/2
 - D600,367 S * 9/2009 Bertram et al. D26/2
 - D601,278 S * 9/2009 Takahashi D26/2
 - D617,915 S * 6/2010 Wada et al. D26/2

* cited by examiner

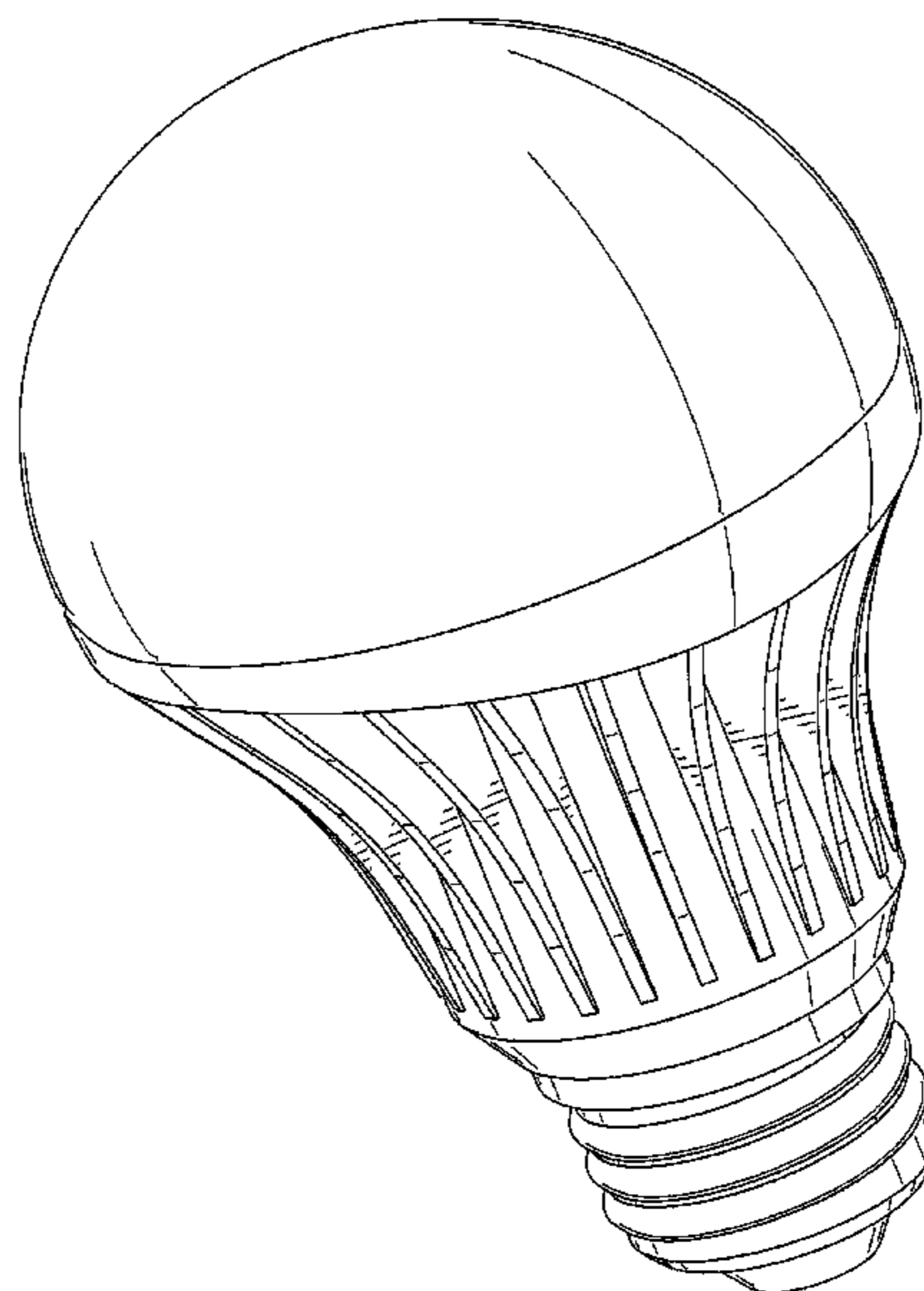
Primary Examiner — Marcus Jackson
(74) *Attorney, Agent, or Firm* — Jianq Chyun IP Office

(57) **CLAIM**
The ornamental design for a light emitting diode lamp, as shown and described.

DESCRIPTION

FIG. 1 is a perspective view of a lighting emitting diode lamp showing a first embodiment of our new design;
 FIG. 2 is another perspective view thereof;
 FIG. 3 is a front view thereof;
 FIG. 4 is a rear view thereof;
 FIG. 5 is a left side view thereof;
 FIG. 6 is a right side view thereof;
 FIG. 7 is a top view thereof;
 FIG. 8 is a bottom view thereof;
 FIG. 9 is a perspective view of a lighting emitting diode lamp showing a second embodiment of our new design;
 FIG. 10 is another perspective view thereof;
 FIG. 11 is a front view thereof;
 FIG. 12 is a rear view thereof;
 FIG. 13 is a left side view thereof;
 FIG. 14 is a right side view thereof;
 FIG. 15 is a top view thereof;
 FIG. 16 is a bottom view thereof;
 FIG. 17 is a perspective view of a lighting emitting diode lamp showing a third embodiment of our new design;
 FIG. 18 is another perspective view thereof;
 FIG. 19 is a front view thereof;
 FIG. 20 is a rear view thereof;
 FIG. 21 is a left side view thereof;
 FIG. 22 is a right side view thereof;
 FIG. 23 is a top view thereof; and,
 FIG. 24 is a bottom view thereof.

1 Claim, 24 Drawing Sheets



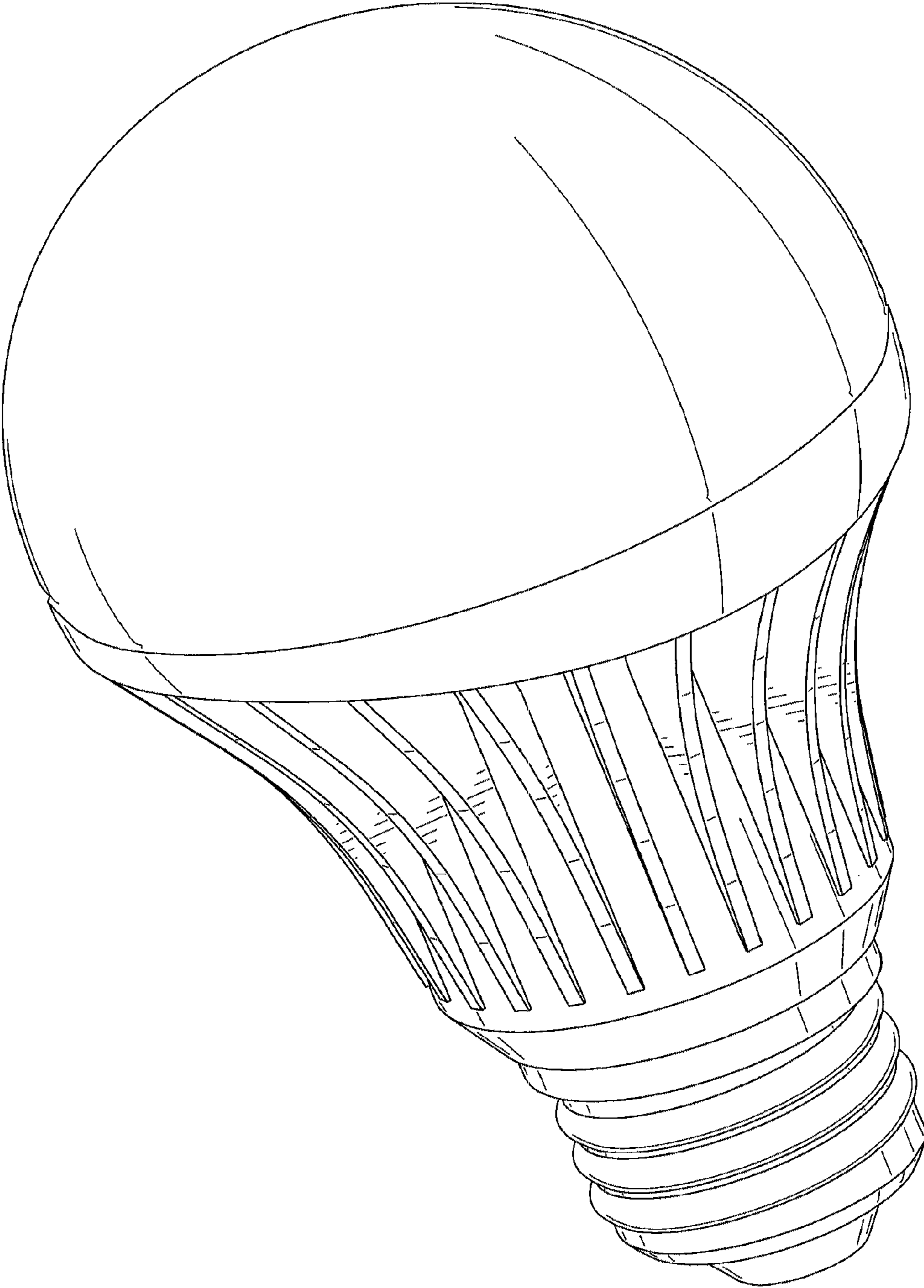


FIG. 1

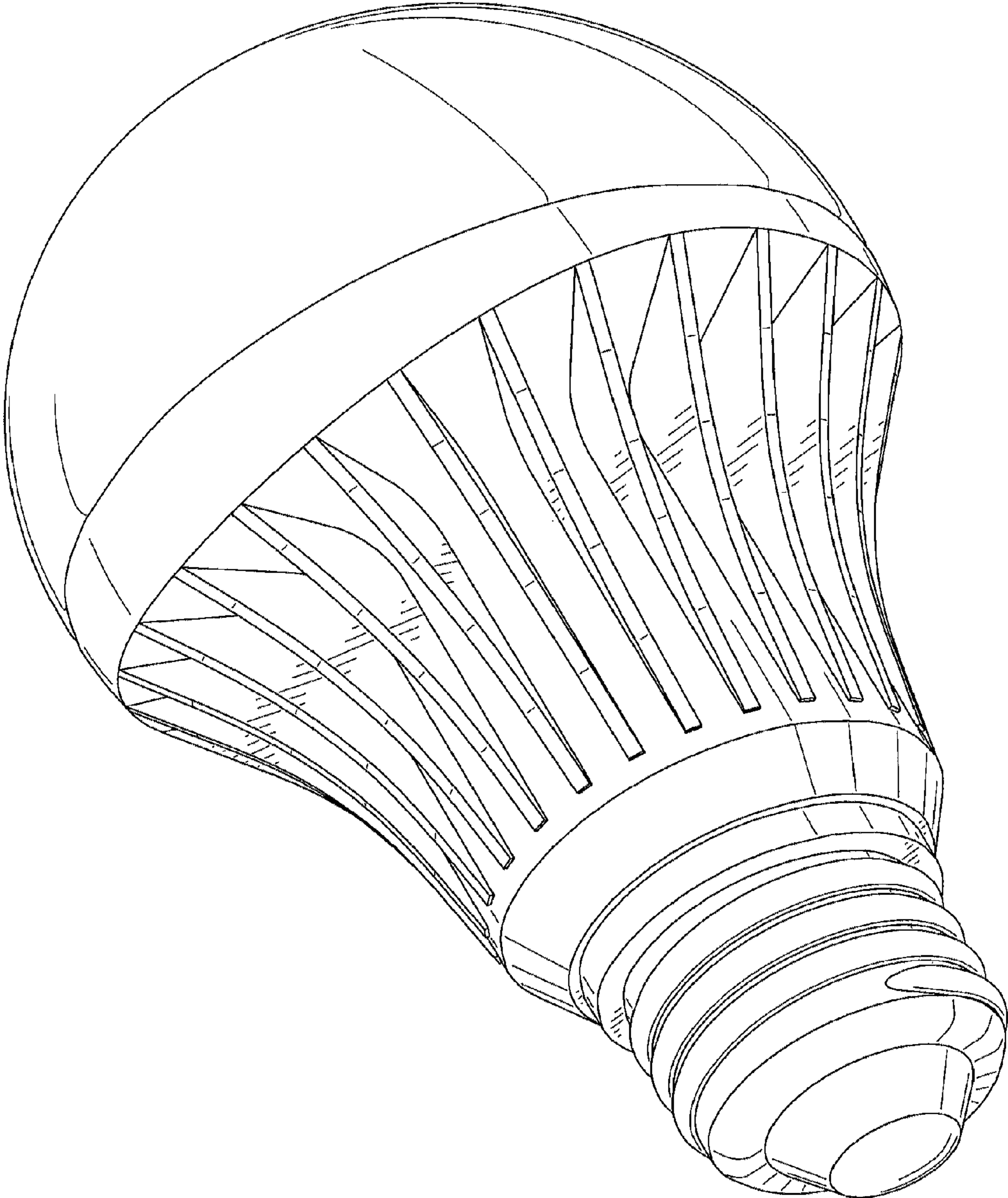


FIG. 2

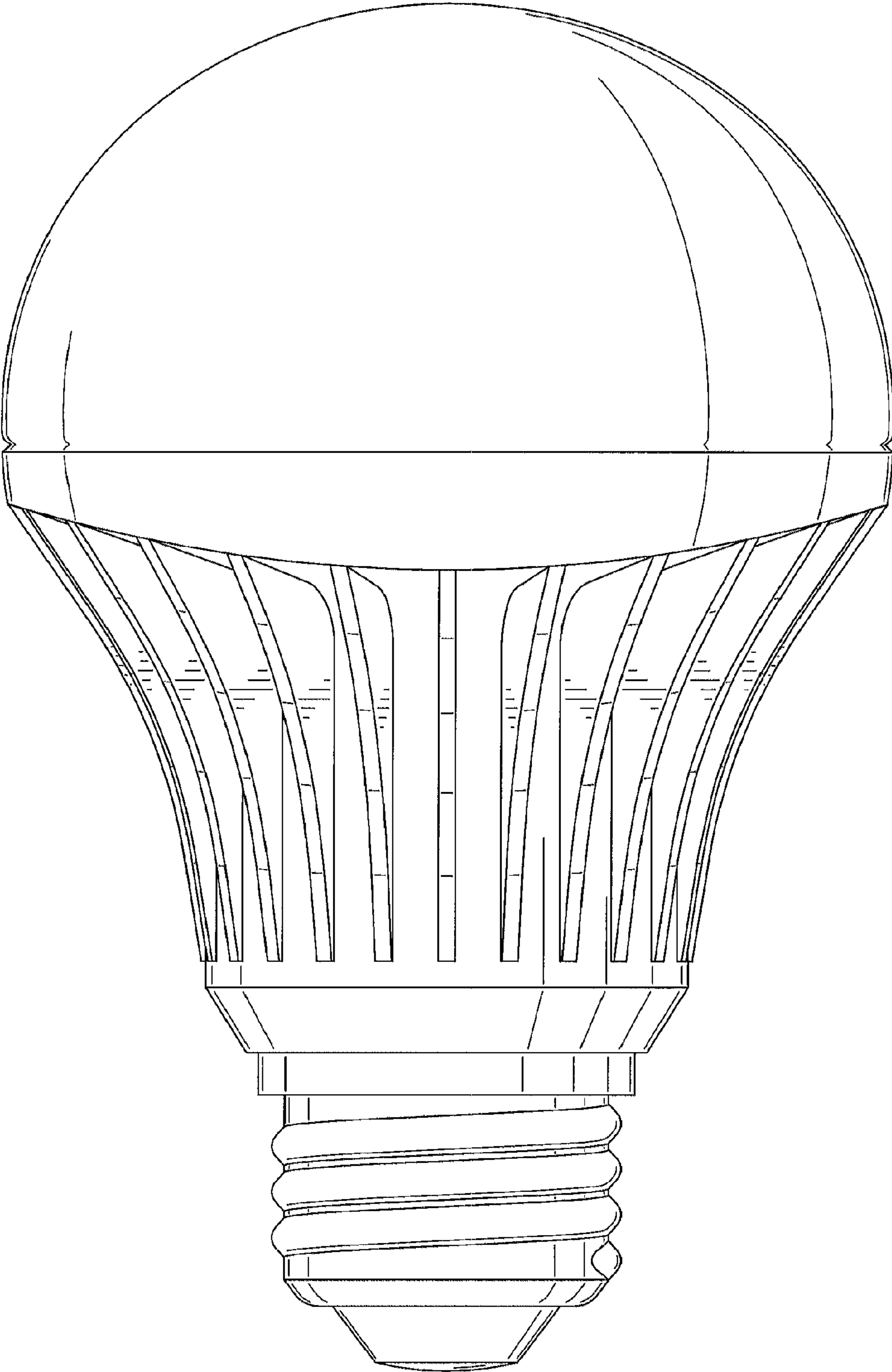


FIG. 3

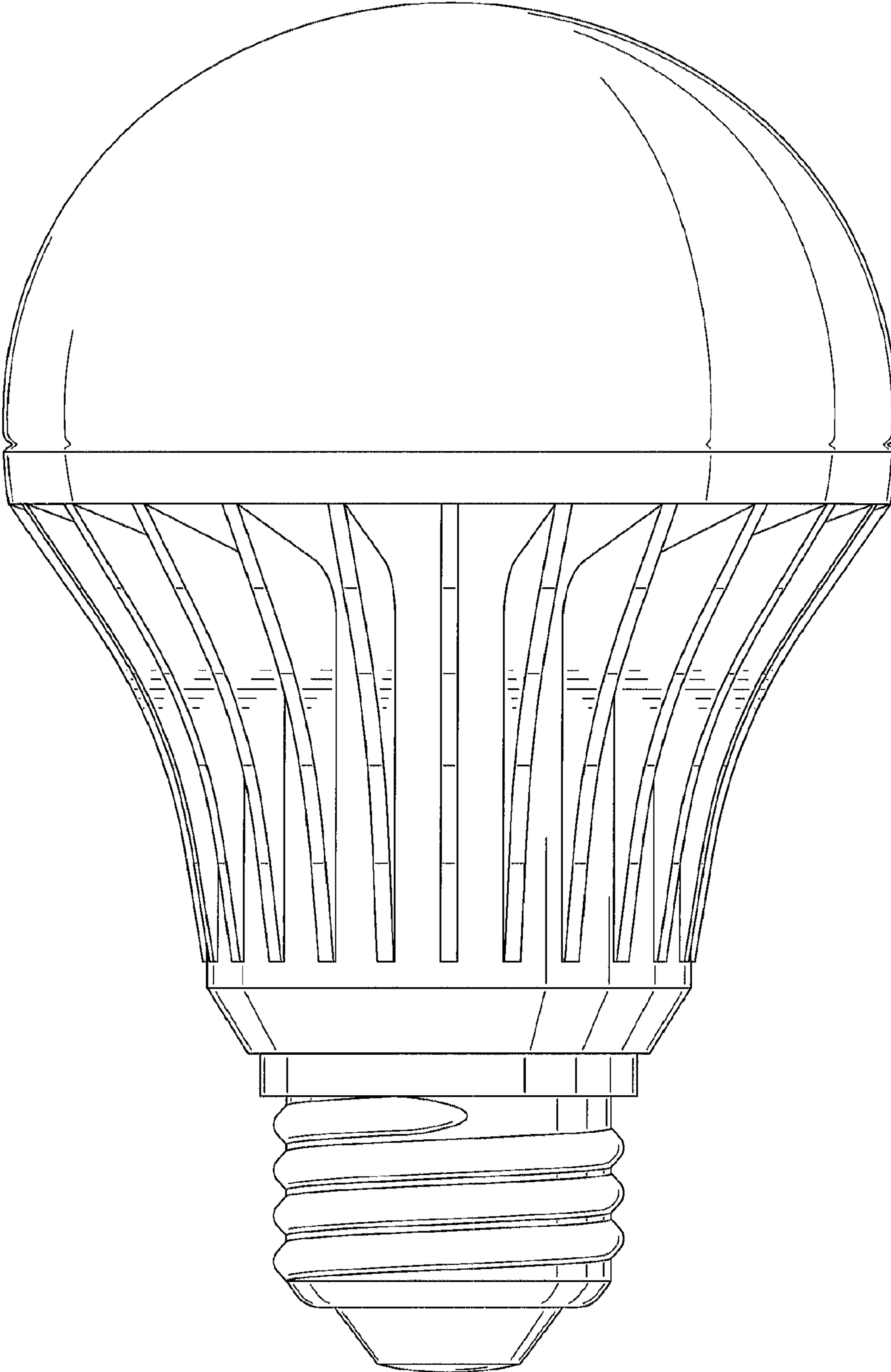


FIG. 4

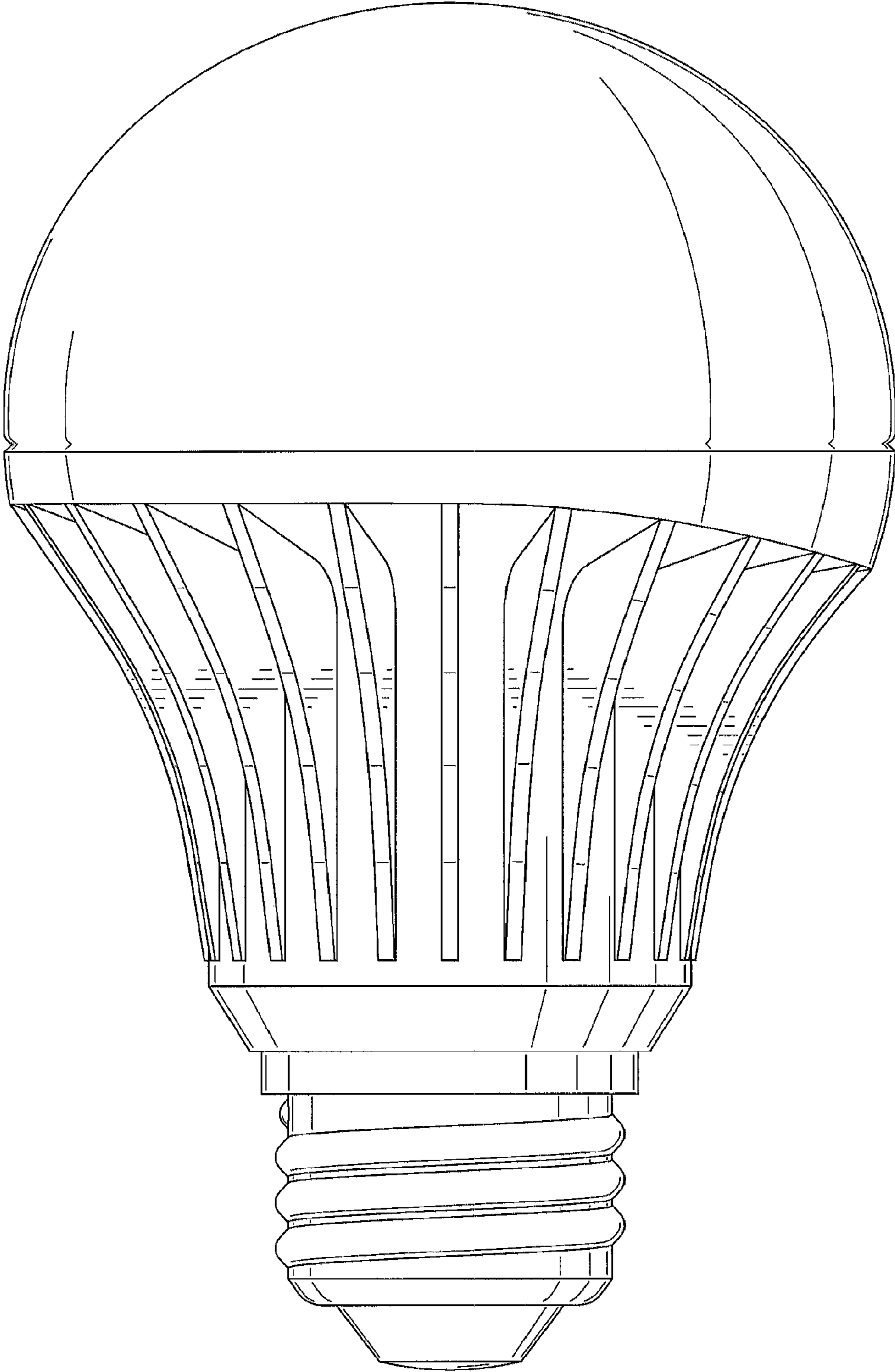


FIG. 5

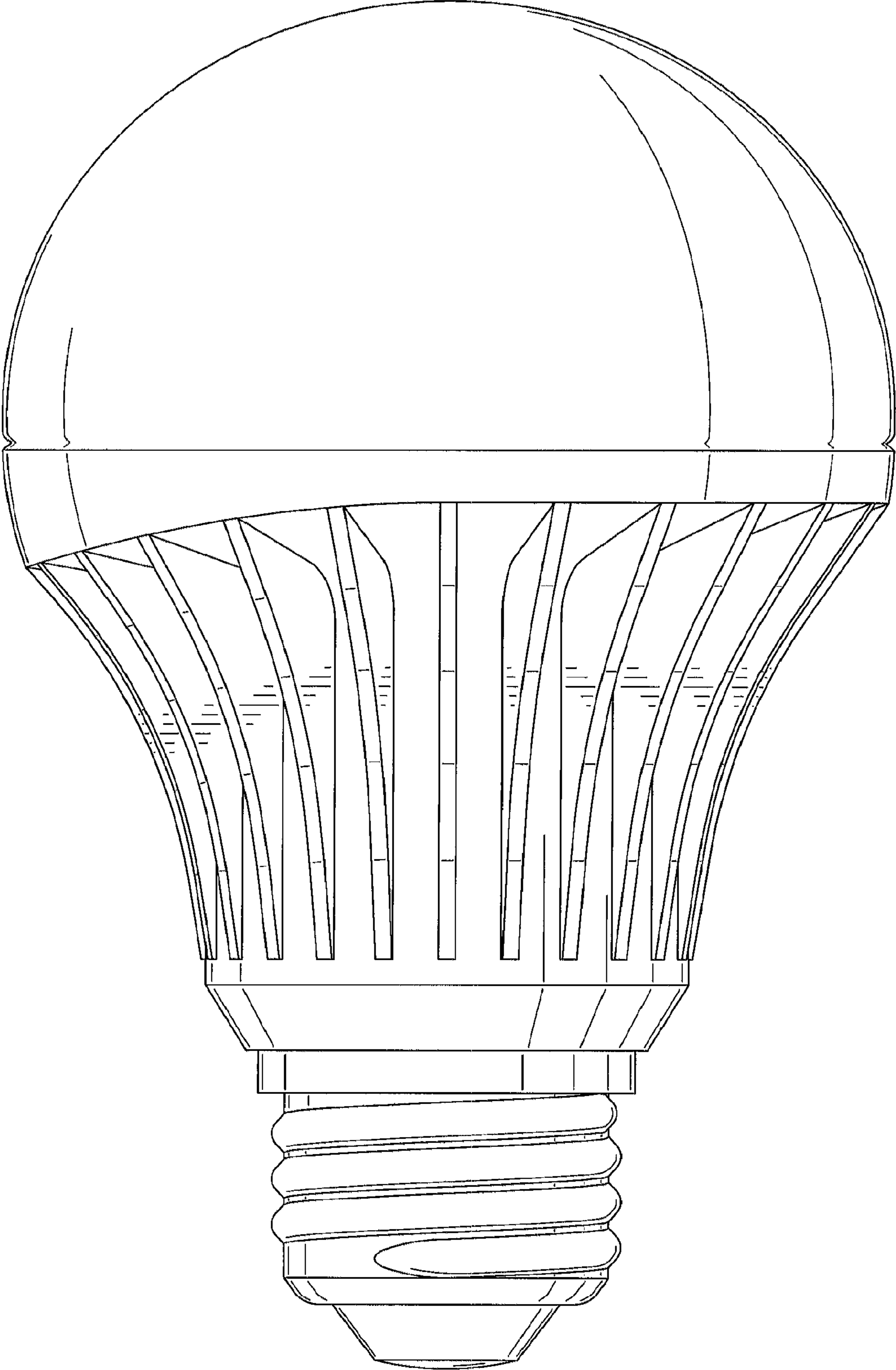


FIG. 6

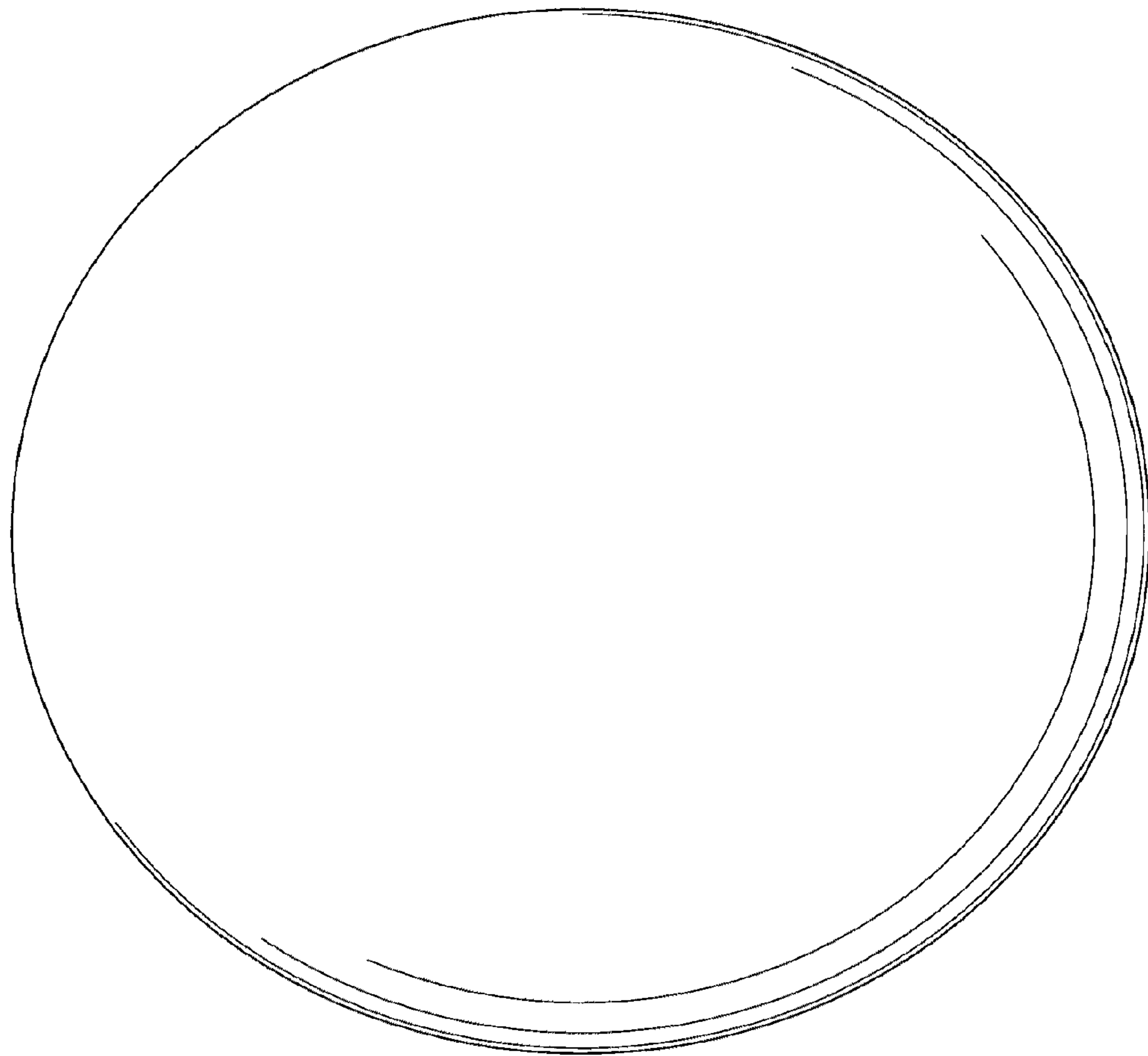


FIG. 7

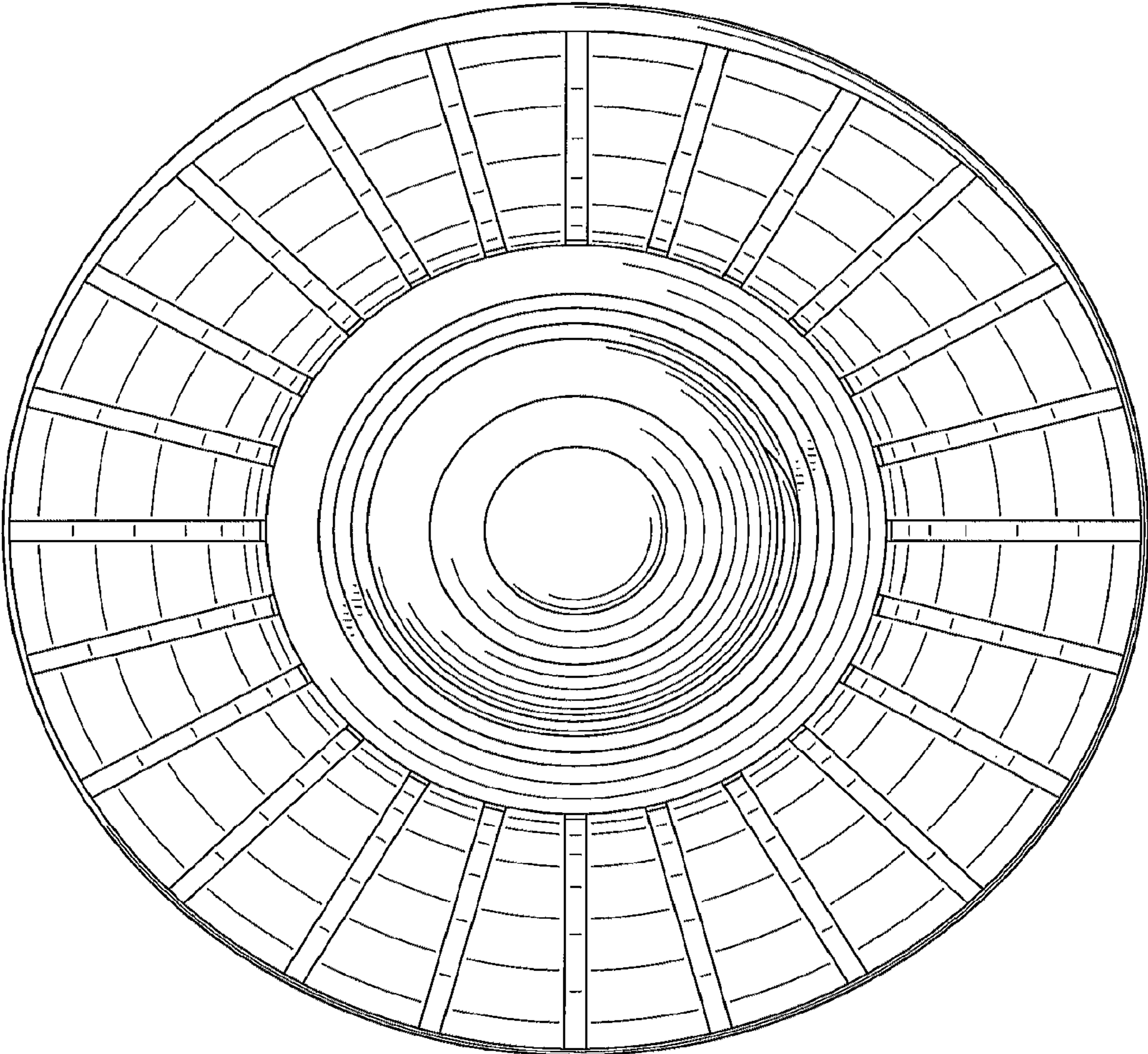


FIG. 8

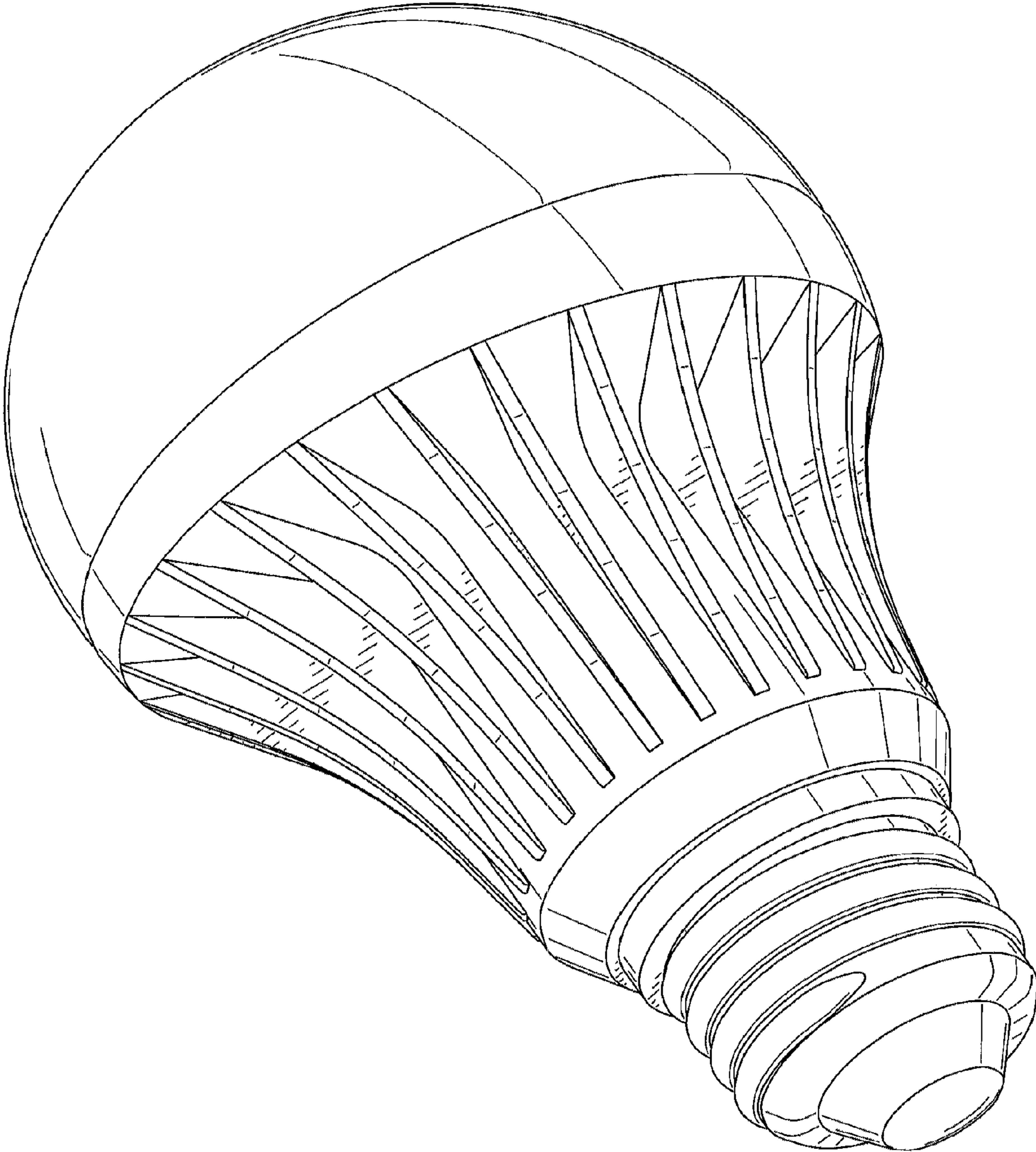


FIG. 9

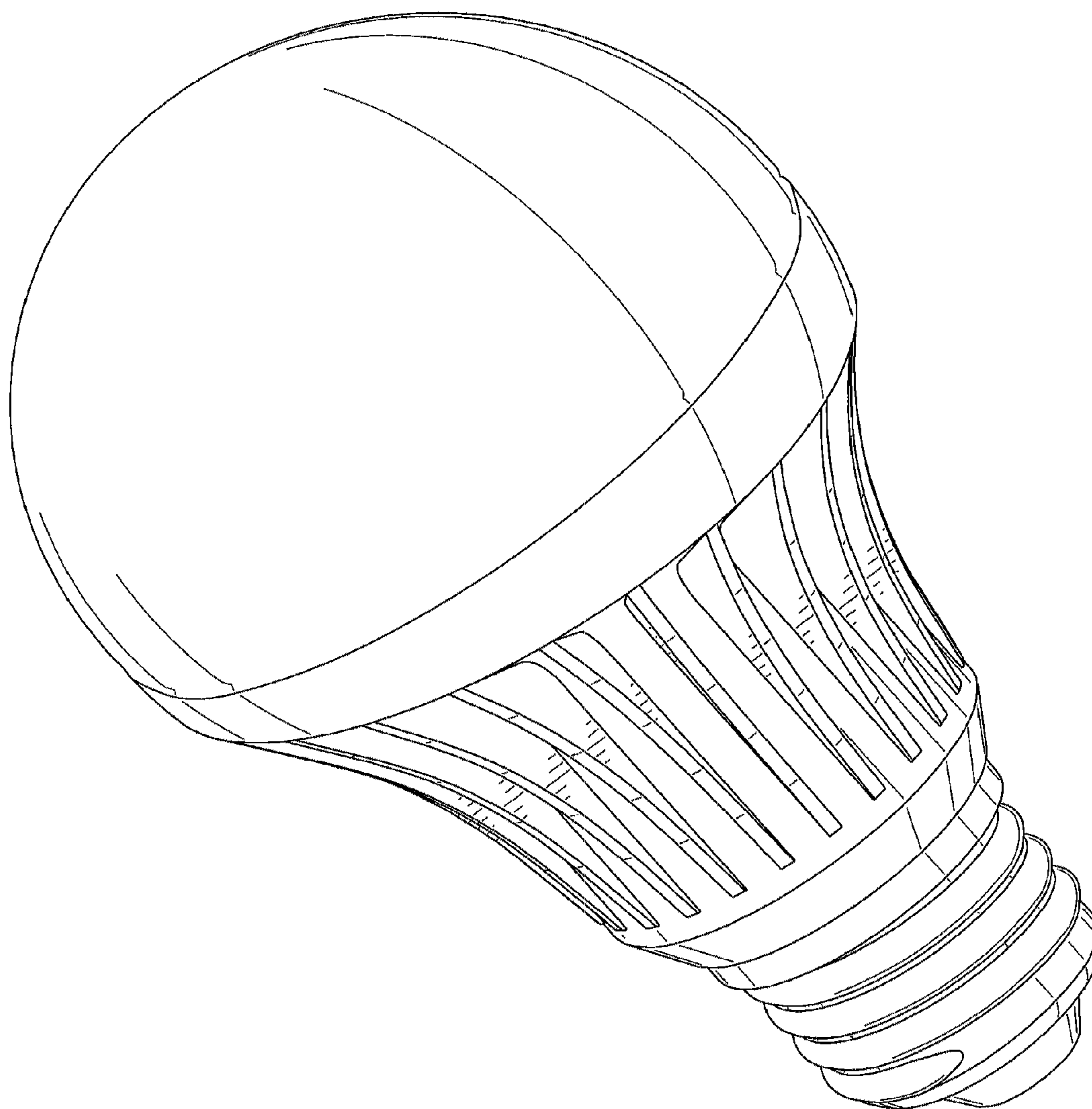


FIG. 10

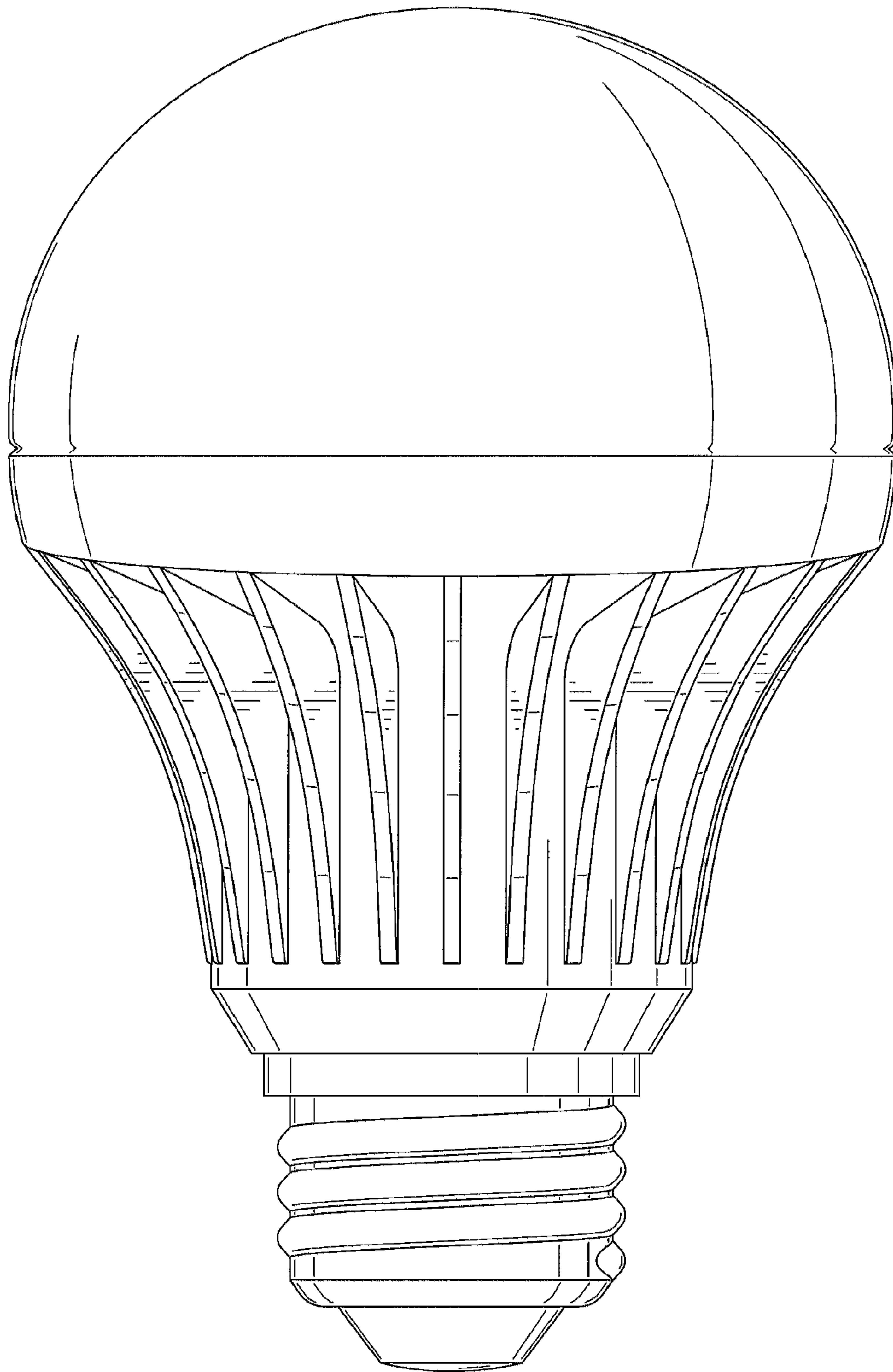


FIG. 11

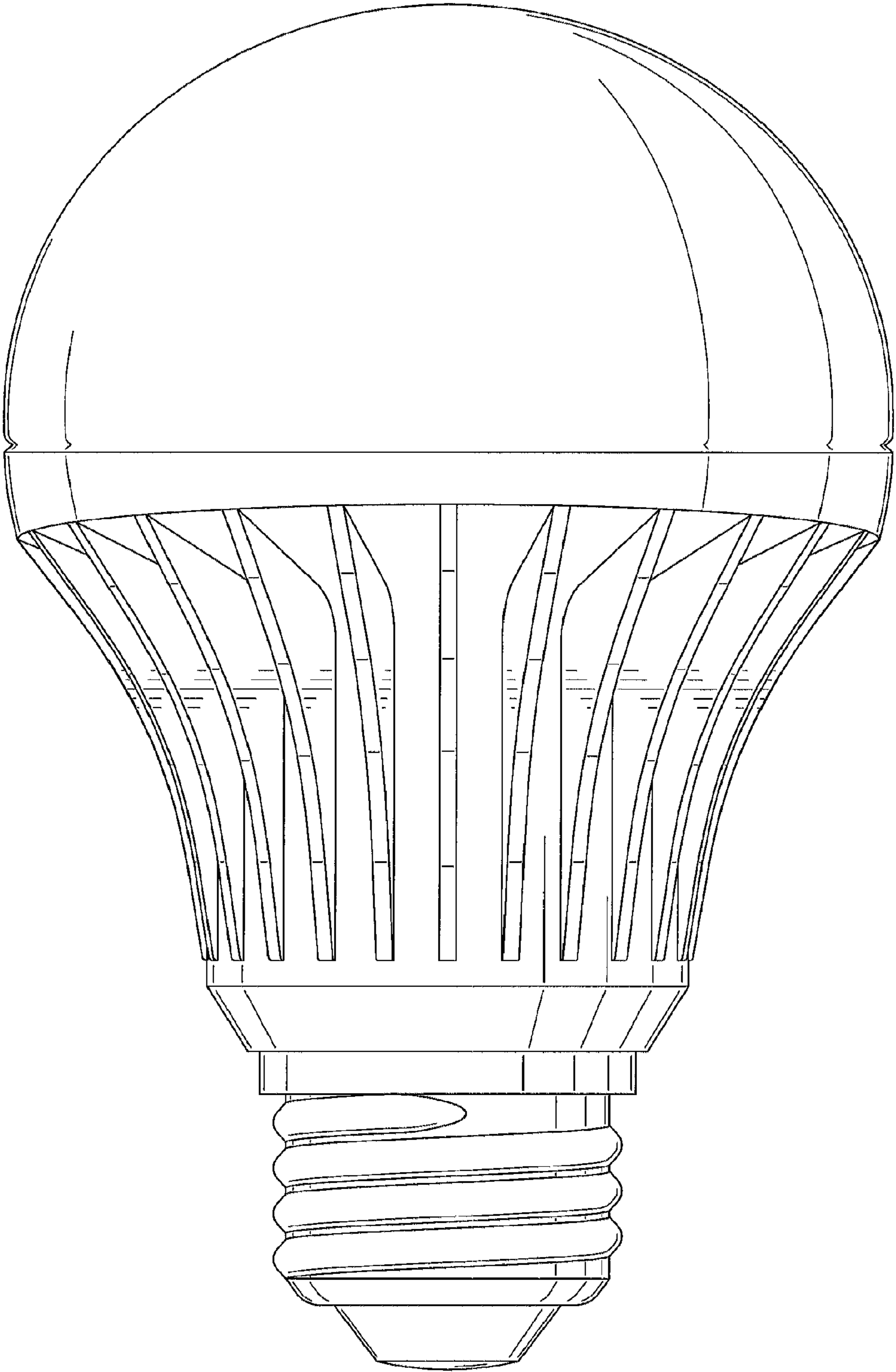


FIG. 12

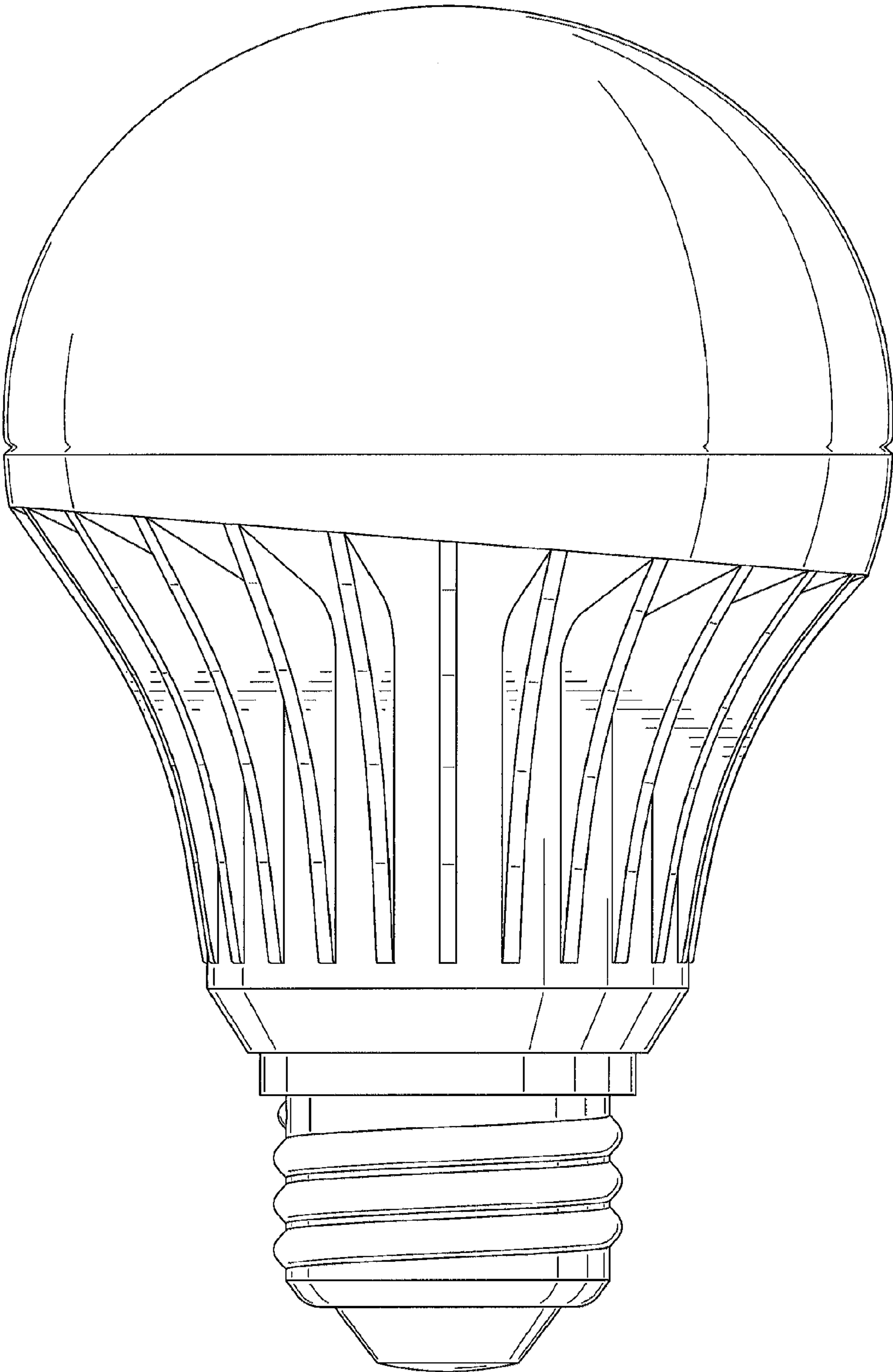


FIG. 13

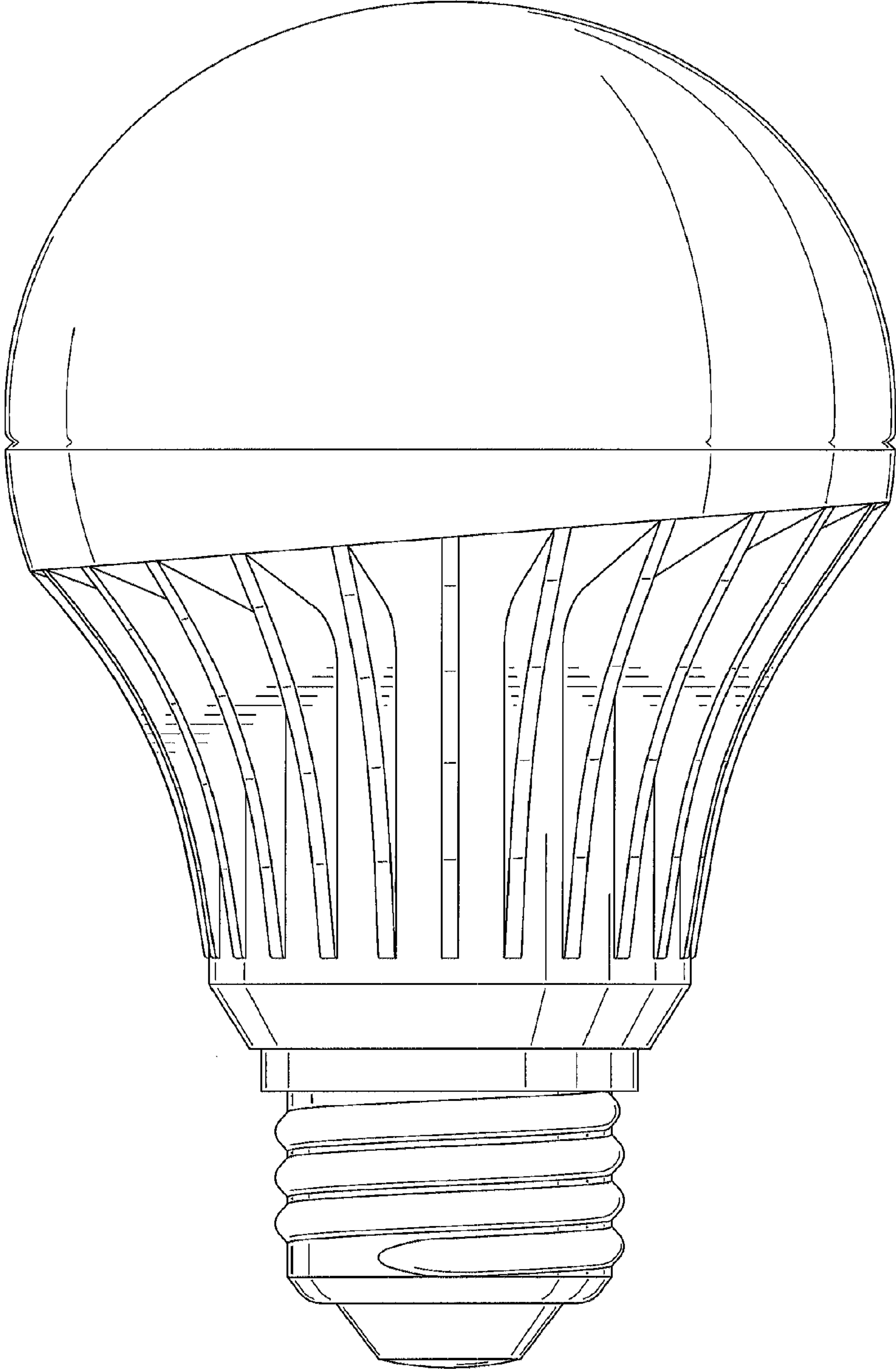


FIG. 14

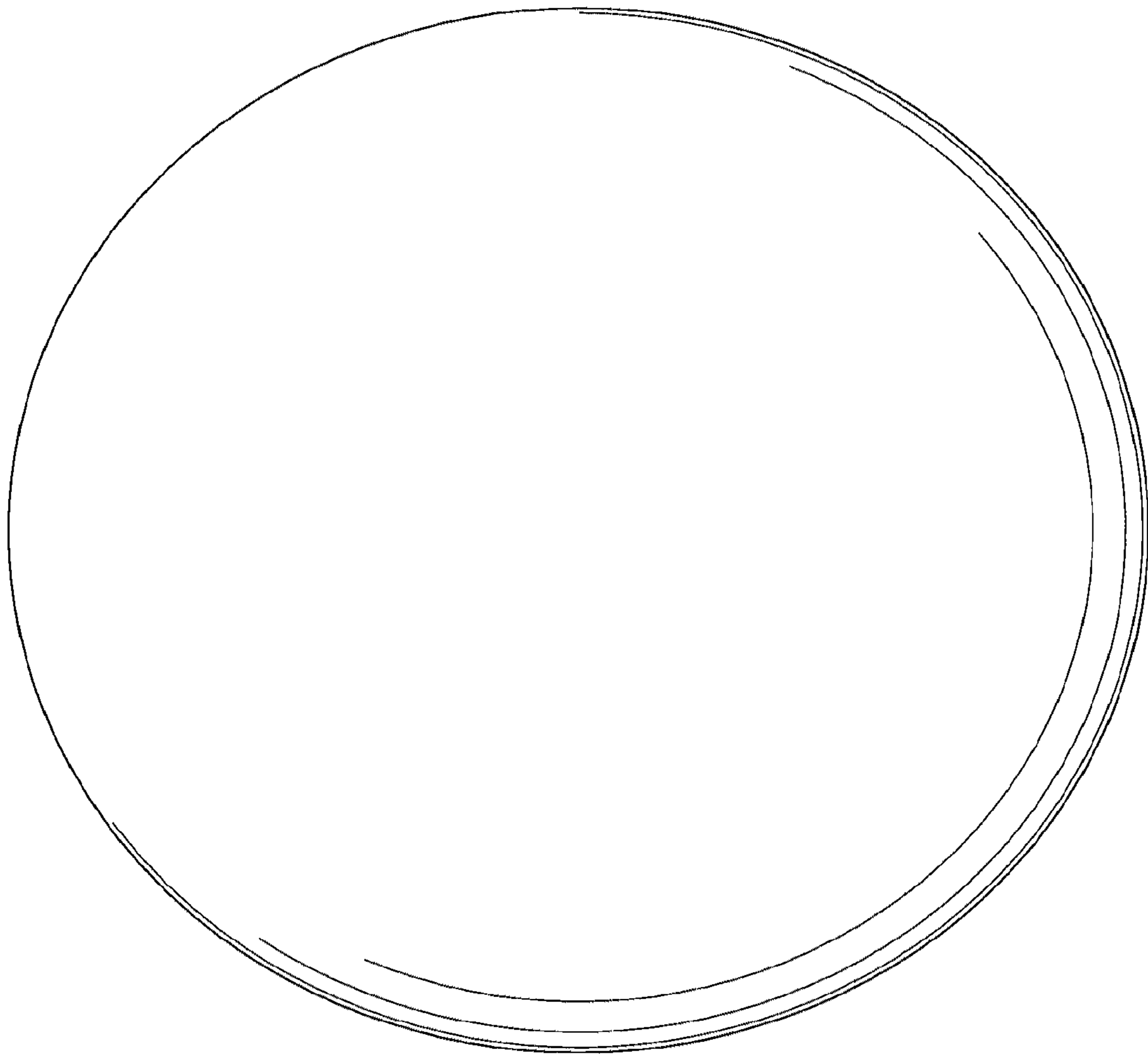


FIG. 15

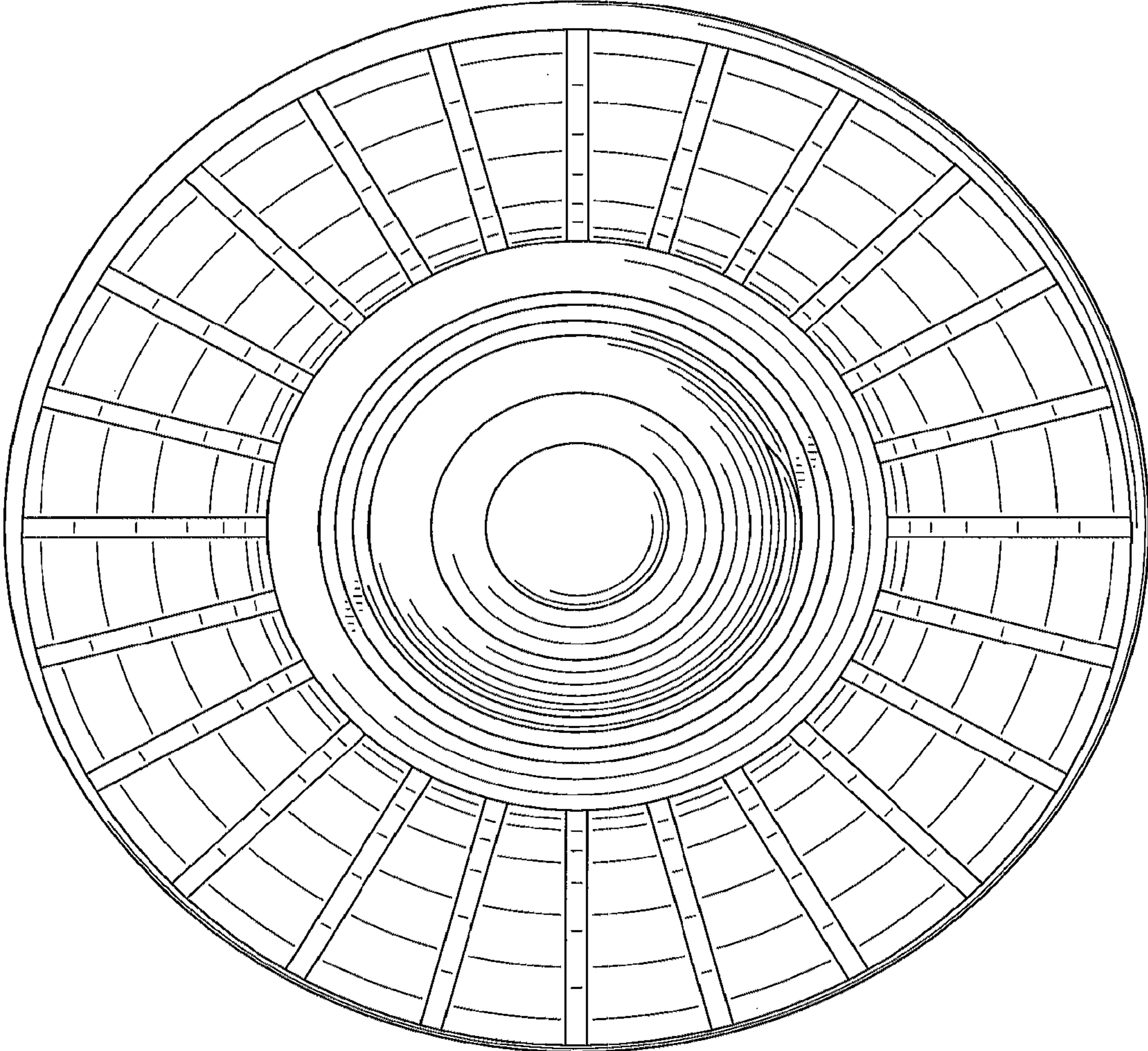


FIG. 16

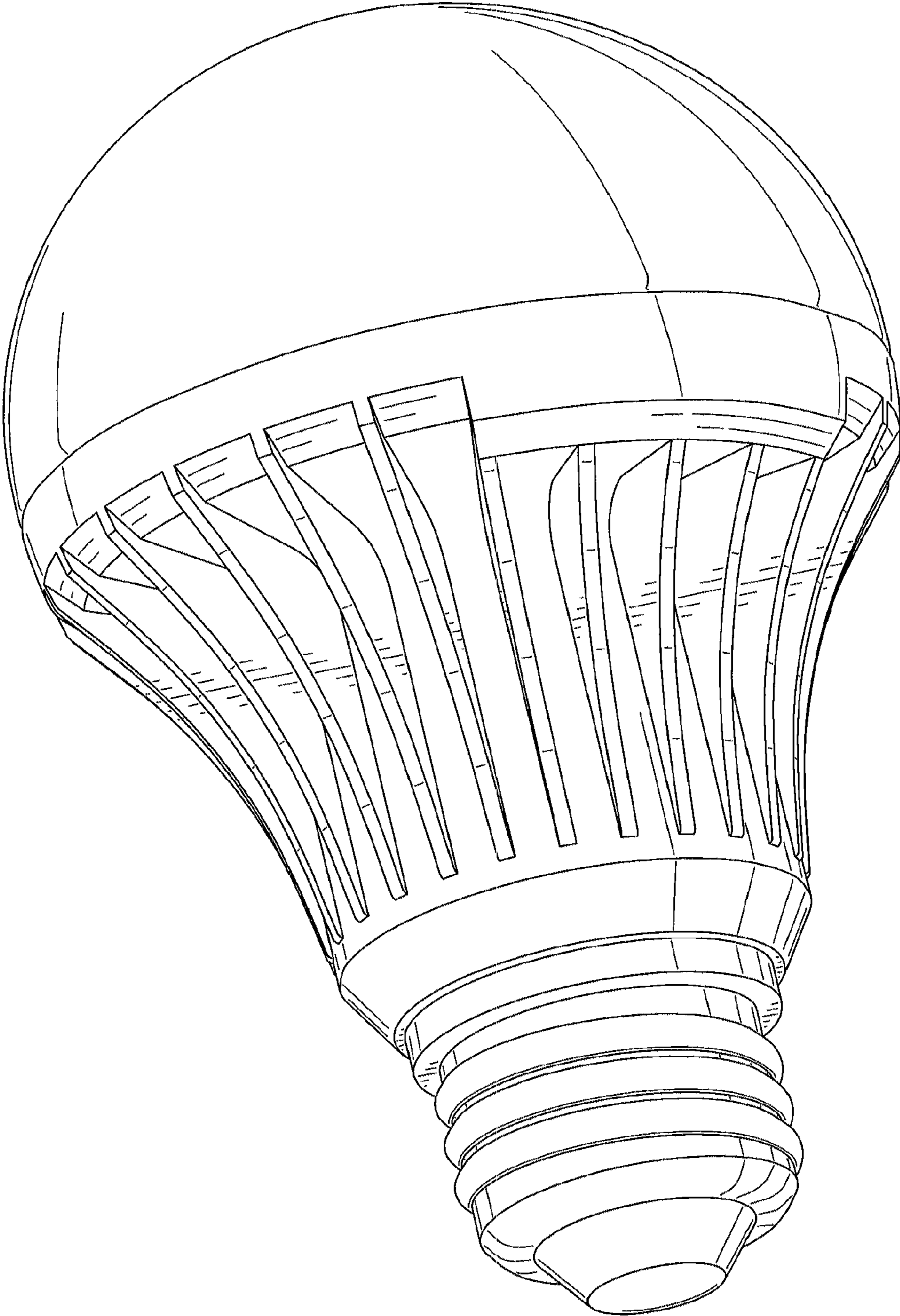


FIG. 17

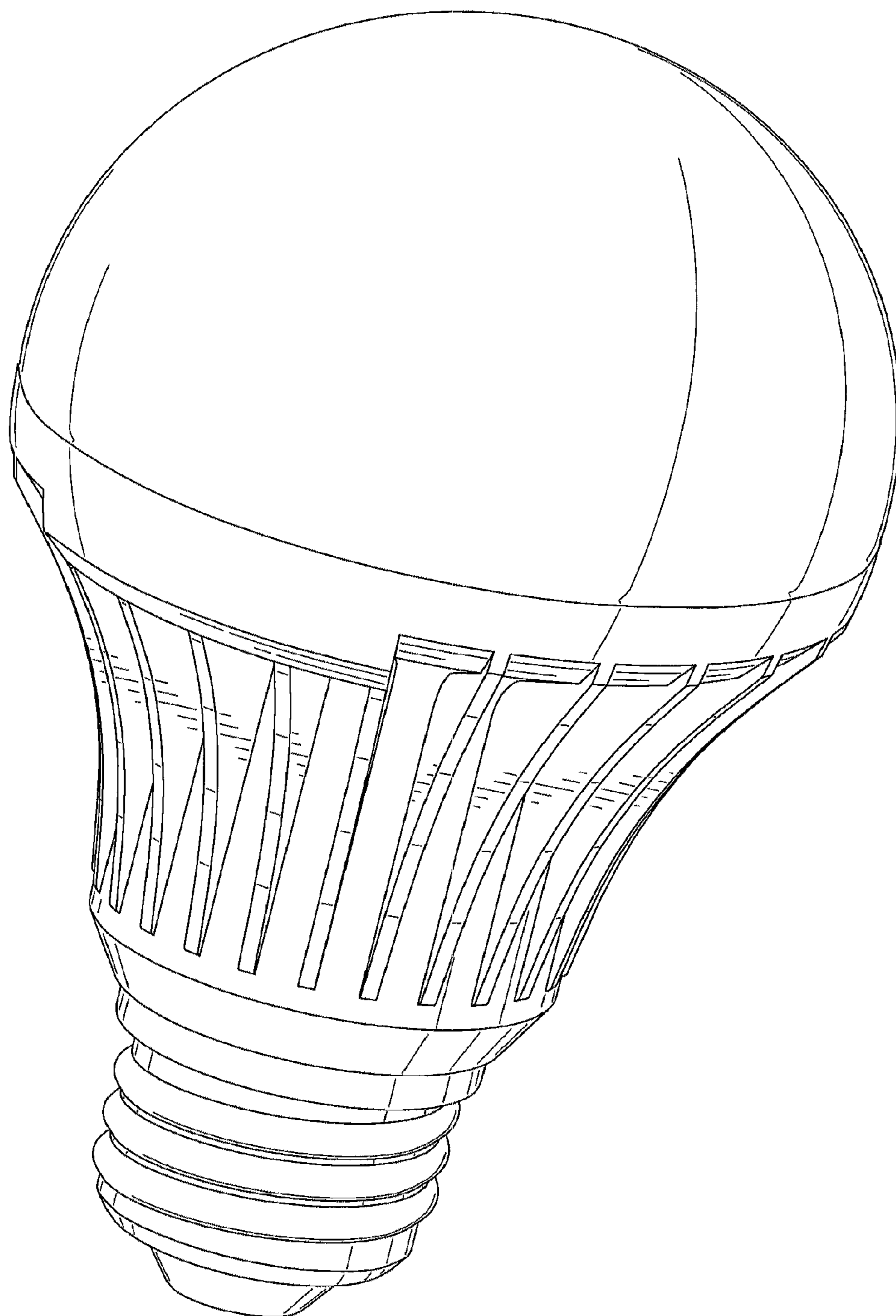


FIG. 18

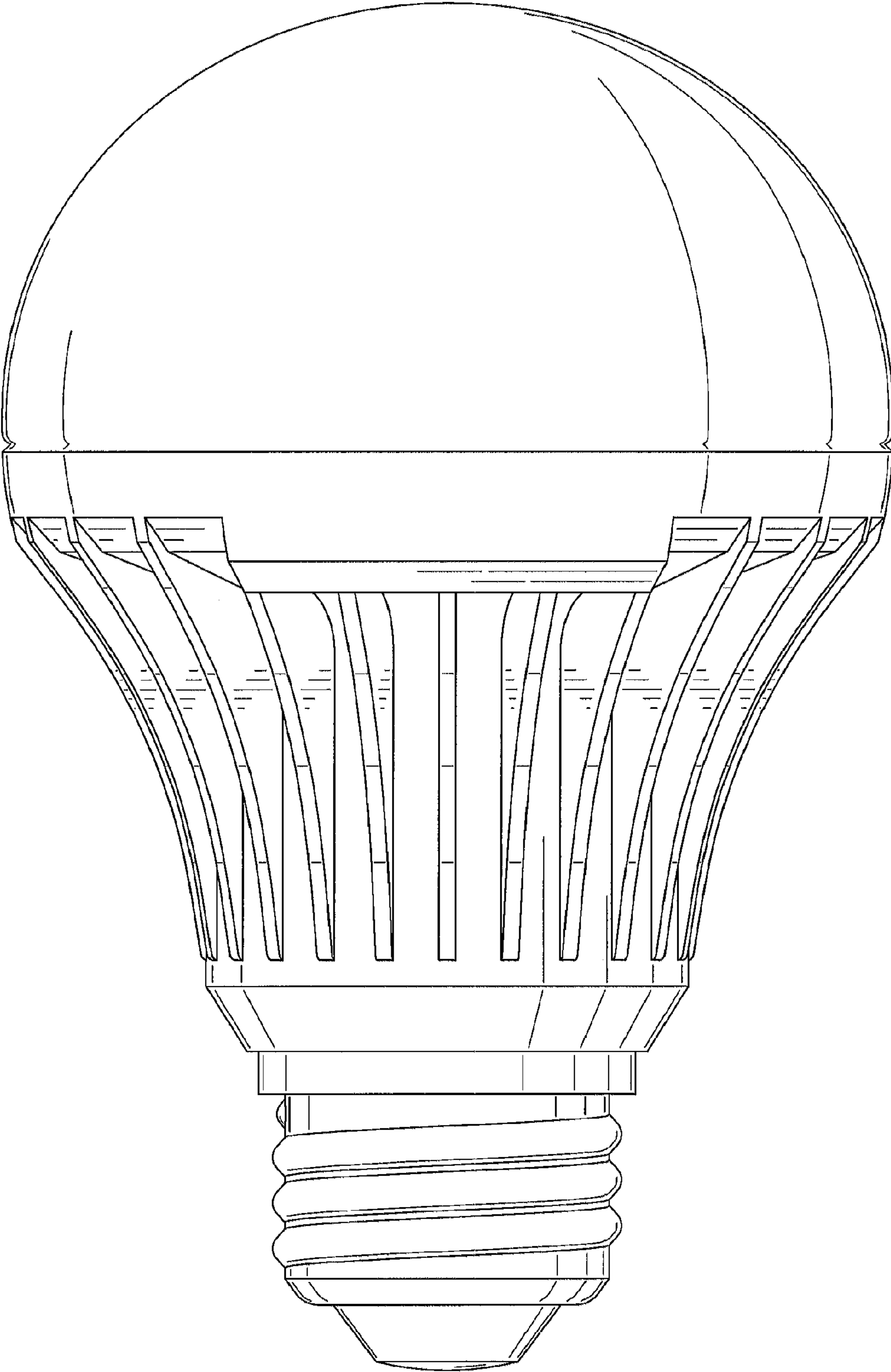


FIG. 19

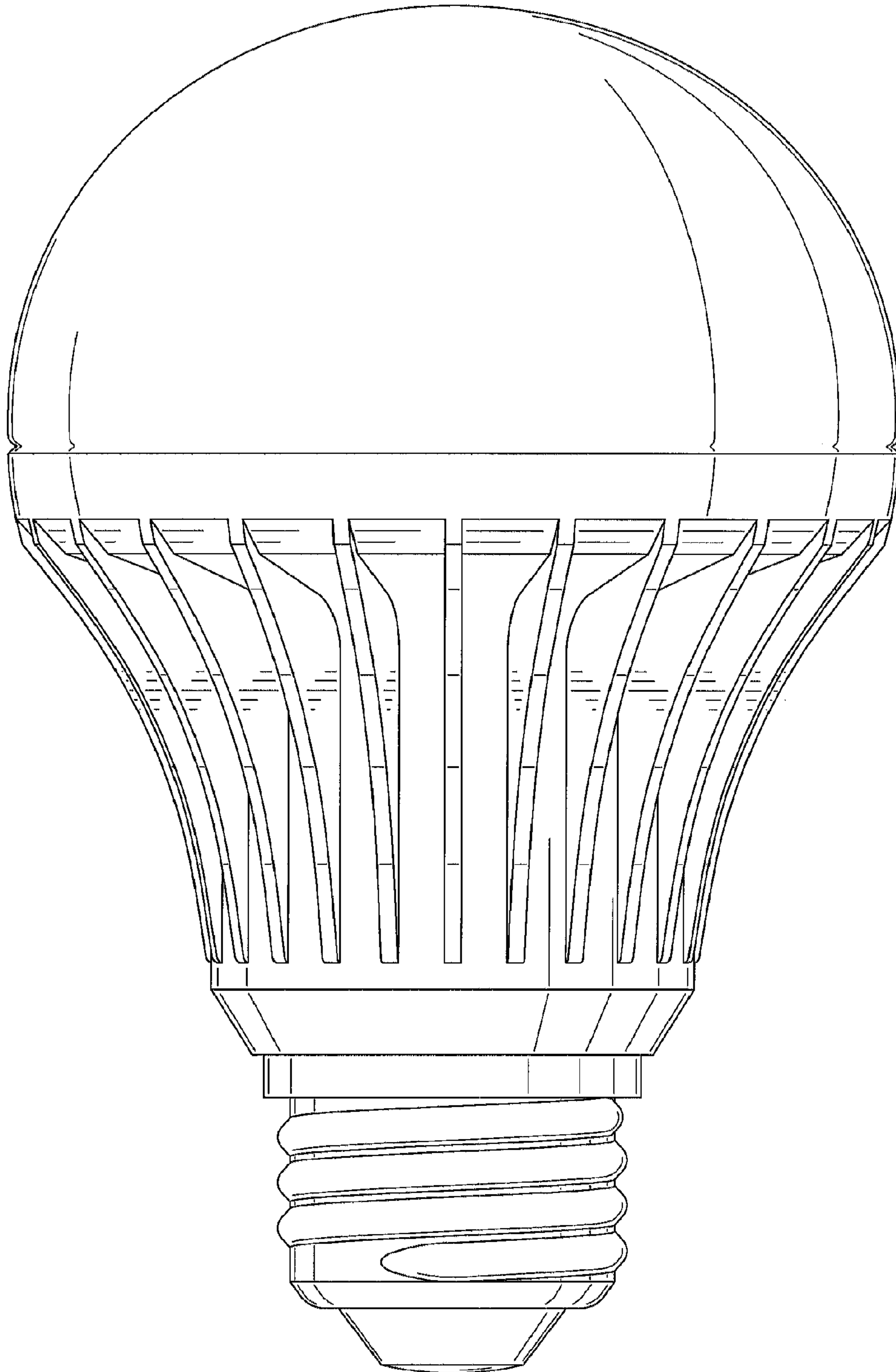


FIG. 20

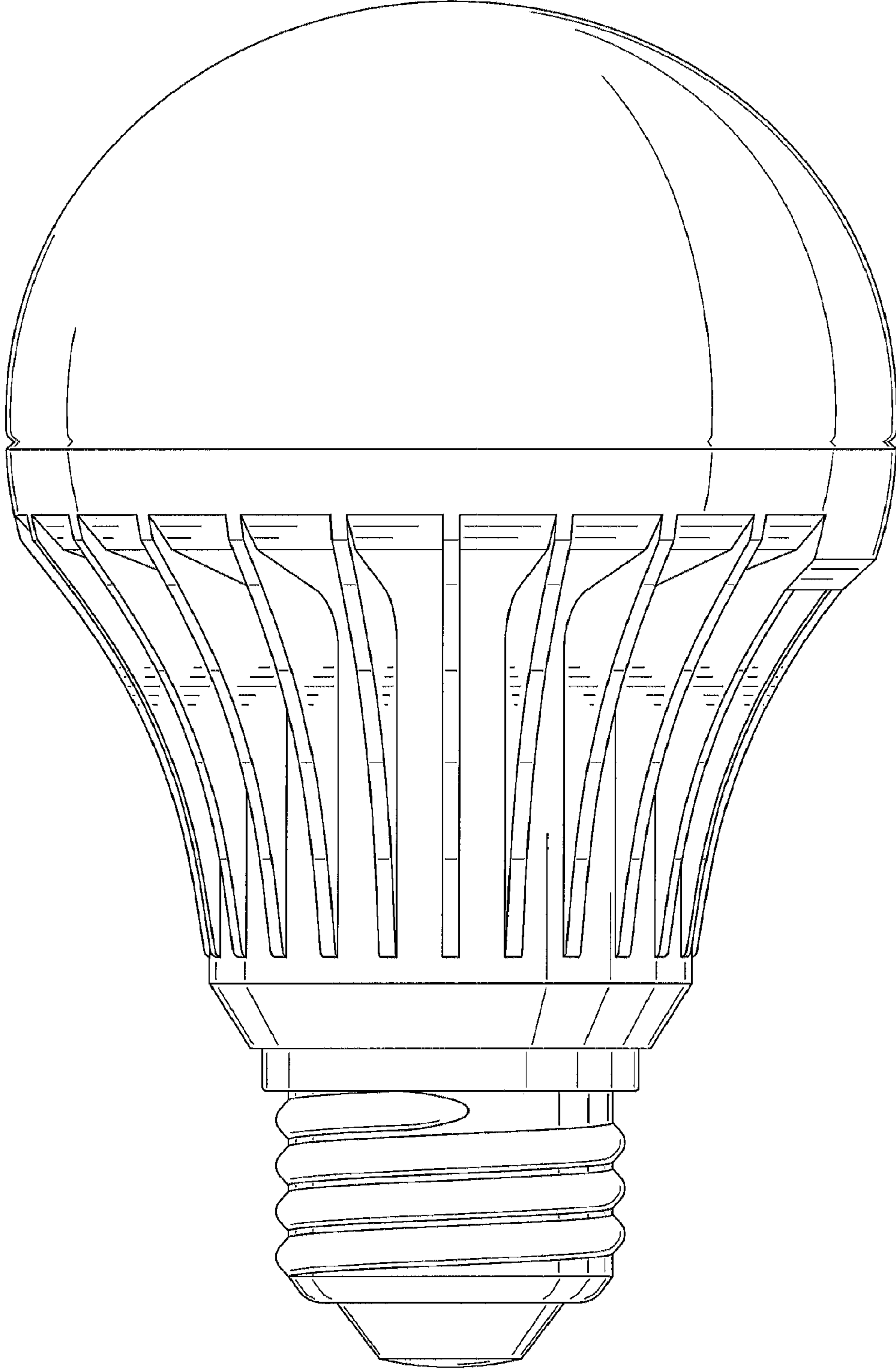


FIG. 21

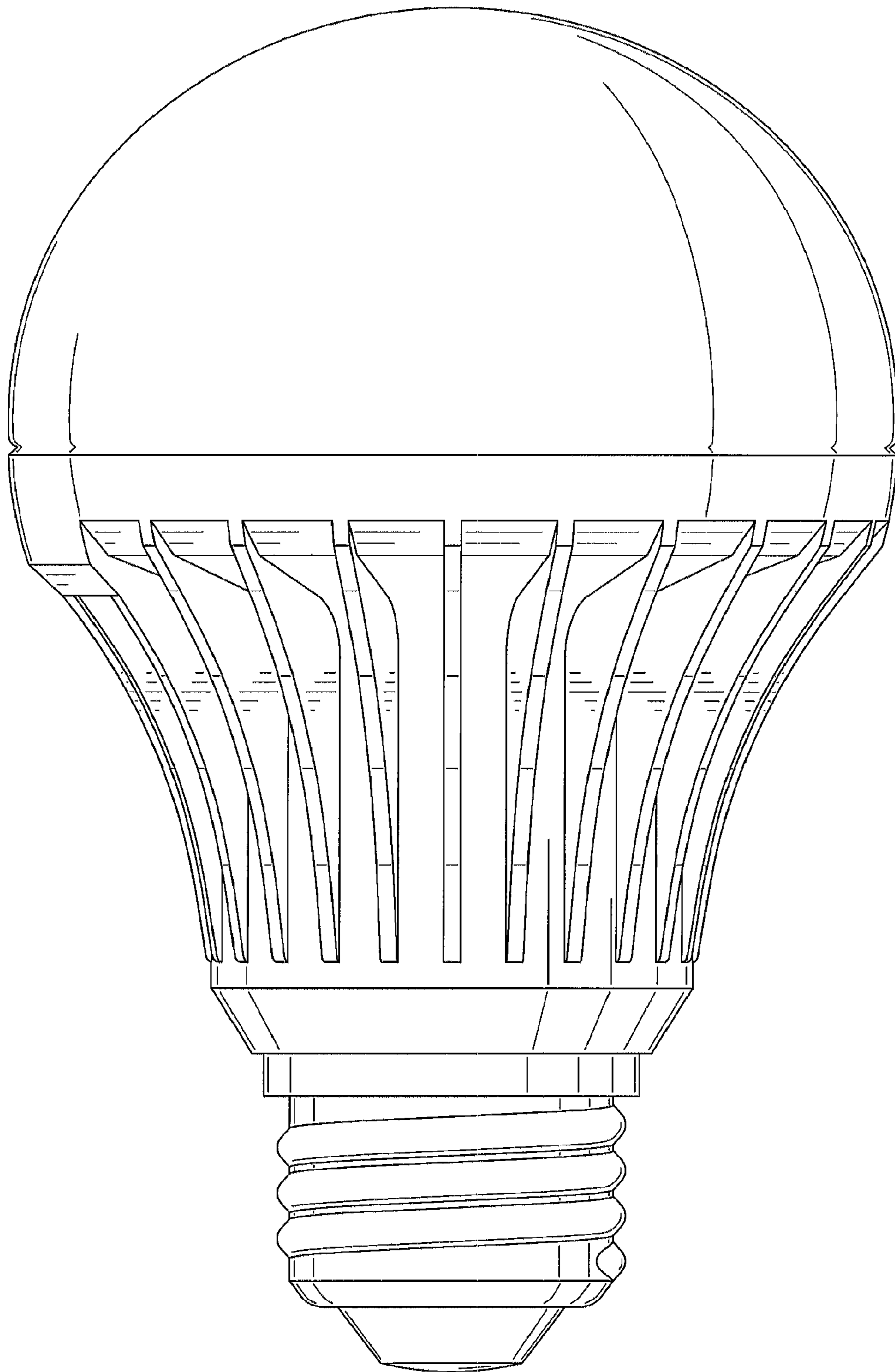


FIG. 22

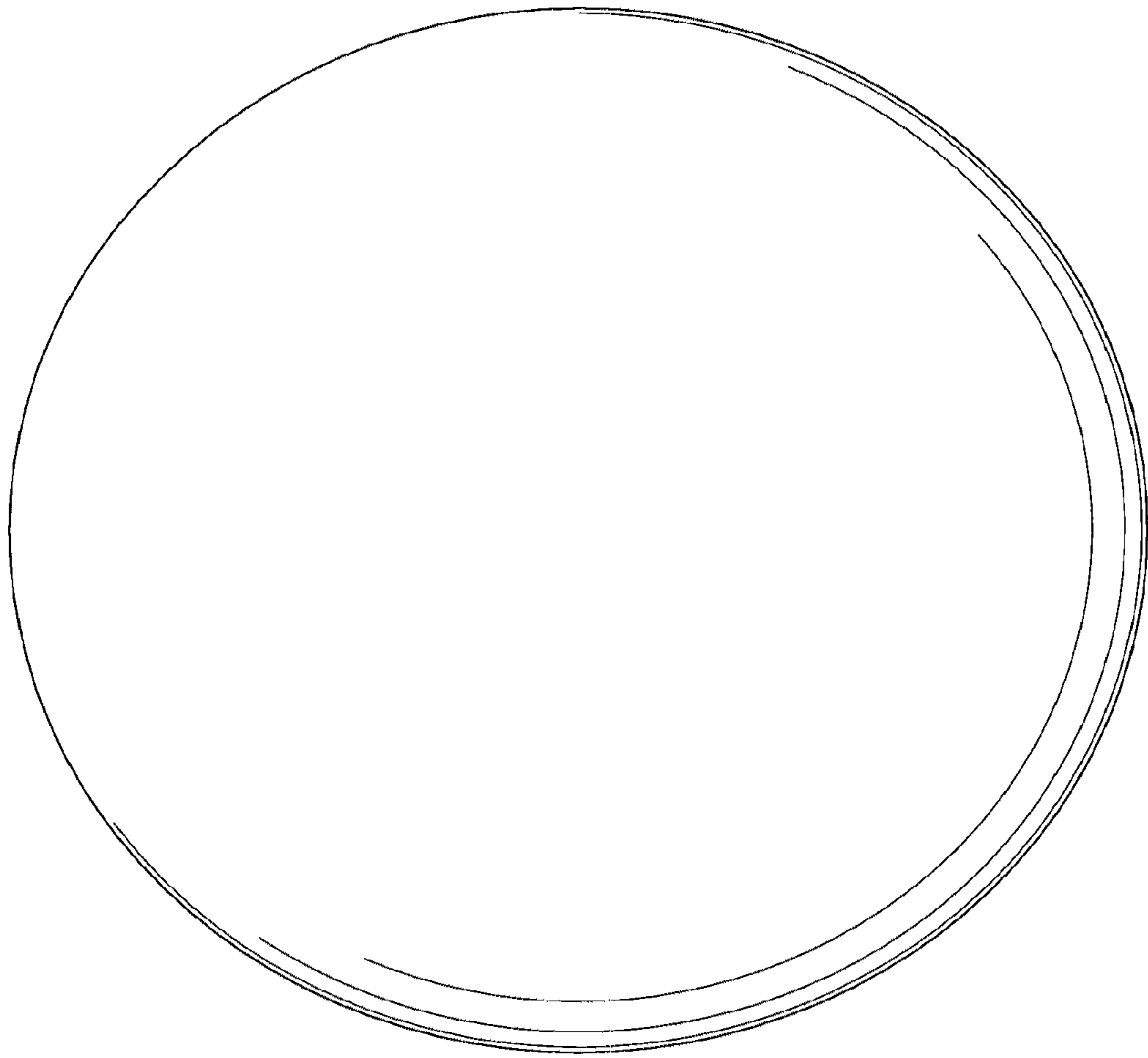


FIG. 23

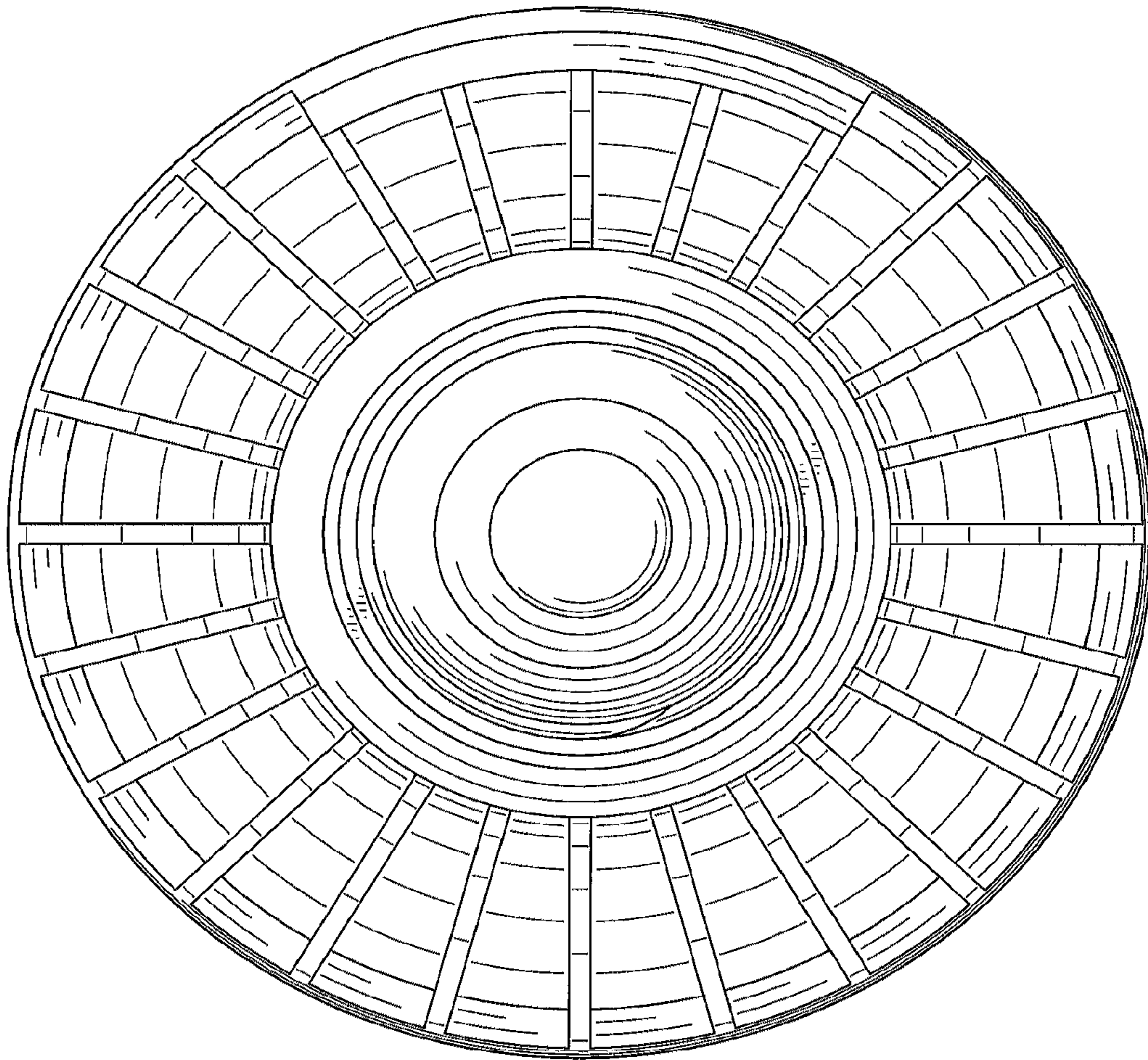


FIG. 24