



US00D663446S

(12) **United States Design Patent**  
**Maxik et al.**

(10) **Patent No.:** **US D663,446 S**  
(45) **Date of Patent:** **\*\* Jul. 10, 2012**

(54) **BODY PORTION OF A BULB**

(75) Inventors: **Fredric S. Maxik**, Indialantic, FL (US);  
**David Henderson**, Indialantic, FL (US);  
**Mark Penley Boomgaarden**, Indian  
Harbour Beach, FL (US); **Addy S.**  
**Widjaja**, Palm Bay, FL (US); **Emilio**  
**Flores**, Indian Harbor, FL (US); **Shane**  
**Sullivan**, Indialantic, FL (US); **Wei Sun**,  
Davie, FL (US)

(73) Assignee: **Lighting Science Group Corporation**,  
Satellite Beach, FL (US)

(\*\*) Term: **14 Years**

(21) Appl. No.: **29/360,982**

(22) Filed: **May 4, 2010**

(51) **LOC (9) Cl.** ..... **26-04**

(52) **U.S. Cl.** ..... **D26/2**

(58) **Field of Classification Search** ..... D26/1-4;  
313/313, 315, 316, 317, 318, 493; 315/52,  
315/53, 56, 57, 58

See application file for complete search history.

(56) **References Cited**

U.S. PATENT DOCUMENTS

4,375,607 A 3/1983 Morton et al.  
(Continued)

FOREIGN PATENT DOCUMENTS

WO 2006118457 11/2006  
(Continued)

OTHER PUBLICATIONS

<http://img.diytrade.com/cdimg/395588/7678937/...http://images.google.com/imgres?imgurl=http://img.diytrade.com/cdimg/3...>  
prior to May 4, 2010.

(Continued)

*Primary Examiner* — Marcus Jackson

(74) *Attorney, Agent, or Firm* — Cantor Colburn LLP

(57) **CLAIM**

We claim, the ornamental design for a body portion of a bulb,  
as shown and described.

**DESCRIPTION**

FIG. 1 is a first side plan view of a third embodiment of the  
invention, the body portion of a bulb being symmetric about  
a center axis;

FIG. 2 is a top plan view of the embodiment of FIG. 1;

FIG. 3 is a bottom plan view of the embodiment of FIG. 1;

FIG. 4 is a first perspective view of the embodiment of FIG. 1;

FIG. 5 is a second perspective view of the embodiment of  
FIG. 1;

FIG. 6 is a first side plan view of a fourth embodiment of the  
invention, the body portion of a bulb being symmetric about  
a center axis;

FIG. 7 is a top plan view of the embodiment of FIG. 6;

FIG. 8 is a bottom plan view of the embodiment of FIG. 6;

FIG. 9 is a first perspective view of the embodiment of FIG. 6;  
and,

FIG. 10 is a second perspective view of the embodiment of  
FIG. 6.

The degree of transparency or opaqueness of the lens of the  
body portion of a bulb forms no part of the claimed design.  
The lens of the claimed body portion of a bulb may have  
facets, lenslets or other treatments.

The dotted lines shown in FIGS. 1-5 indicate that the outer  
diameter and shape of the lens may have any size diameter or  
curvature.

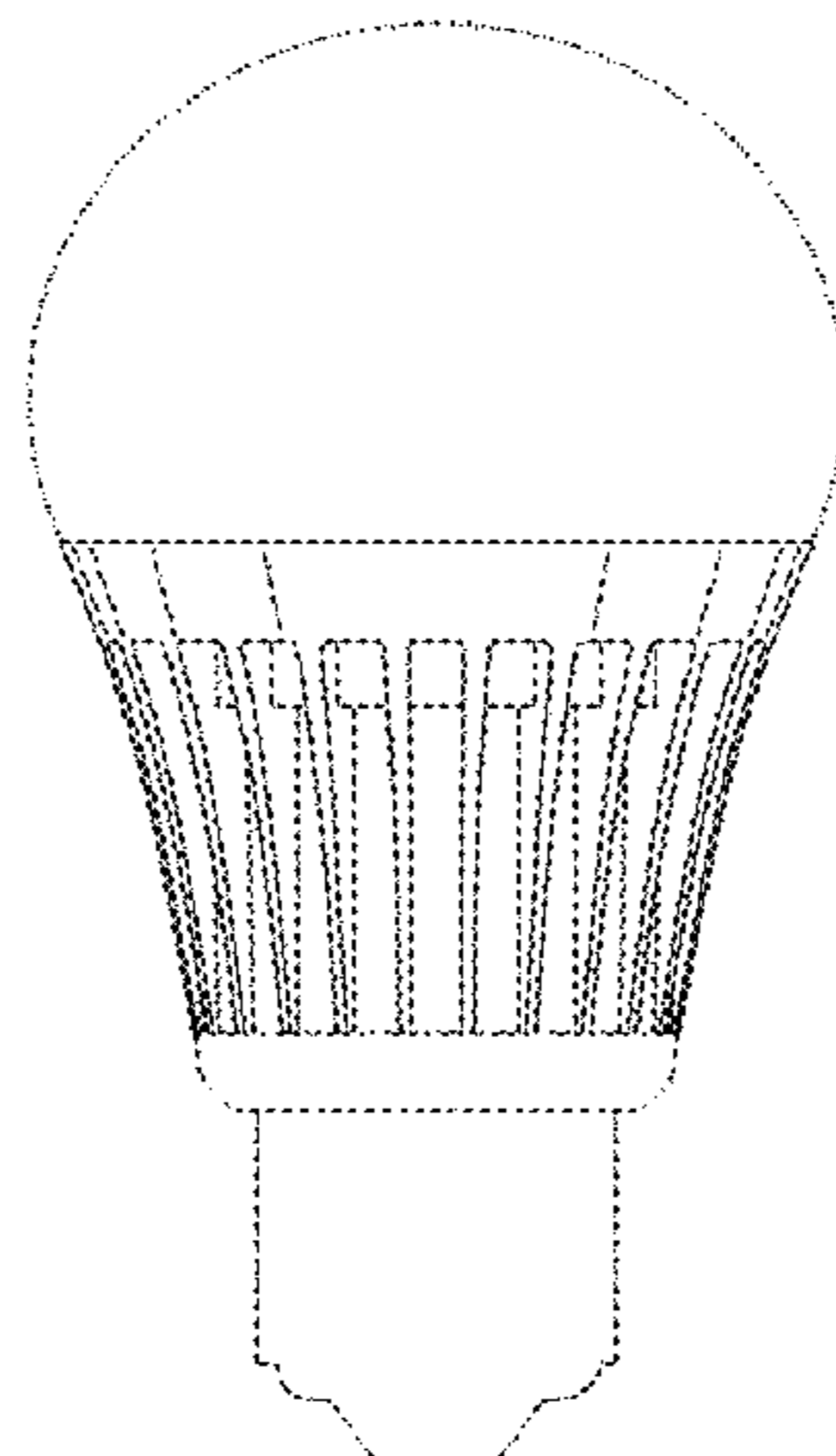
The phantom lines shown in FIG. 1-FIG. 10 are environmen-  
tal and not part of the claimed design.

The color and shading of the body portion of a bulb forms no  
part of the claimed design, the body portion of a bulb accord-  
ing to the claimed design may be any color or combination of  
colors.

The surface treatment of the body portion of a bulb forms no  
part of the claimed design, the body portion of a bulb of the  
claimed design may have any surface treatment.

References to “side”, “top”, “front” and “bottom” in the fig-  
ure descriptions are not meant to require certain in-use orien-  
tation; a body portion of a bulb according to the claimed  
design may be used in any orientation.

**1 Claim, 6 Drawing Sheets**



# US D663,446 S

Page 2

## U.S. PATENT DOCUMENTS

4,392,076 A 7/1983 Ishler et al.  
D271,424 S 11/1983 Young et al.  
D307,805 S 5/1990 Noe  
D321,260 S 10/1991 Bowman  
5,458,505 A 10/1995 Prager  
D391,006 S 2/1998 Yang  
5,791,769 A 8/1998 Yang  
D470,610 S 2/2003 Bobel  
6,515,433 B1 2/2003 Ge et al.  
D480,486 S 10/2003 Kakuno et al.  
6,655,823 B2 12/2003 Chang  
6,786,625 B2 9/2004 Wesson  
D497,439 S 10/2004 Shaw et al.  
6,848,812 B1 2/2005 Hsieh  
D508,575 S 8/2005 Buschmann et al.  
D516,229 S 2/2006 Tang  
D527,119 S 8/2006 Maxik et al.  
D528,227 S 9/2006 Chou et al.  
D528,673 S 9/2006 Maxik et al.  
D531,741 S 11/2006 Takahashi  
D534,665 S 1/2007 Egawa et al.  
D538,950 S 3/2007 Maxik  
D538,951 S 3/2007 Maxik et al.  
D538,952 S 3/2007 Maxik et al.  
D541,957 S 5/2007 Wang  
D545,457 S 6/2007 Chen  
7,226,189 B2 6/2007 Lee et al.  
D560,286 S 1/2008 Maxik et al.  
D566,300 S 4/2008 Lo  
7,367,688 B1 5/2008 Bucher et al.  
D570,504 S 6/2008 Maxik et al.  
D570,505 S 6/2008 Maxik et al.  
D572,385 S 7/2008 Mazzochette et al.  
7,434,964 B1 10/2008 Zheng et al.  
D581,554 S 11/2008 To et al.  
D581,583 S 11/2008 Peng  
7,448,772 B2 11/2008 Hampton  
D584,837 S 1/2009 Mazzochette et al.  
D586,497 S 2/2009 Wu et al.  
7,513,653 B1 4/2009 Liu et al.  
D593,222 S 5/2009 To et al.  
D594,143 S 6/2009 Montagnat et al.  
D594,995 S 6/2009 Komar  
D595,893 S 7/2009 Maxik et al.  
D597,704 S 8/2009 Peng  
D600,850 S 9/2009 Maxik et al.  
D601,276 S 9/2009 Grajcar

D601,277 S \* 9/2009 Grajcar ..... D26/2  
D601,278 S 9/2009 Takahashi  
D601,279 S 9/2009 Ou et al.  
D607,586 S 1/2010 Ko  
D608,478 S 1/2010 Maxik et al.  
D610,271 S 2/2010 Bi  
D610,722 S 2/2010 Bi  
D612,956 S 3/2010 Moon  
D613,433 S 4/2010 Moon  
7,717,590 B1 5/2010 Li  
D617,915 S \* 6/2010 Wada et al. .... D26/2  
D618,369 S 6/2010 Lee et al.  
D620,153 S 7/2010 Wang et al.  
D623,777 S \* 9/2010 Moon et al. .... D26/2  
D623,778 S 9/2010 Moon et al.  
D623,779 S 9/2010 Wang et al.  
D624,214 S 9/2010 Thomas et al.  
D624,215 S 9/2010 Moon et al.  
D624,669 S 9/2010 Tsai  
D625,437 S 10/2010 Zhang et al.  
D626,260 S 10/2010 Wei  
D626,667 S 11/2010 Jonsson et al.  
D627,087 S 11/2010 Jonsson et al.  
D628,322 S 11/2010 Sakai et al.  
D628,720 S 12/2010 Wang  
D629,129 S 12/2010 Lin et al.  
D629,930 S 12/2010 Cotter et al.  
D634,031 S \* 3/2011 de Visser et al. .... D26/2  
D634,037 S 3/2011 Jeong et al.  
2006/0215408 A1 9/2006 Lee  
2007/0285926 A1 12/2007 Maxik  
2008/0253125 A1 10/2008 Kang et al.  
2009/0141500 A1 6/2009 Peng  
2009/0296402 A1 12/2009 Chang et al.  
2010/0027270 A1 2/2010 Huang et al.  
2010/0091487 A1 4/2010 Shin

## FOREIGN PATENT DOCUMENTS

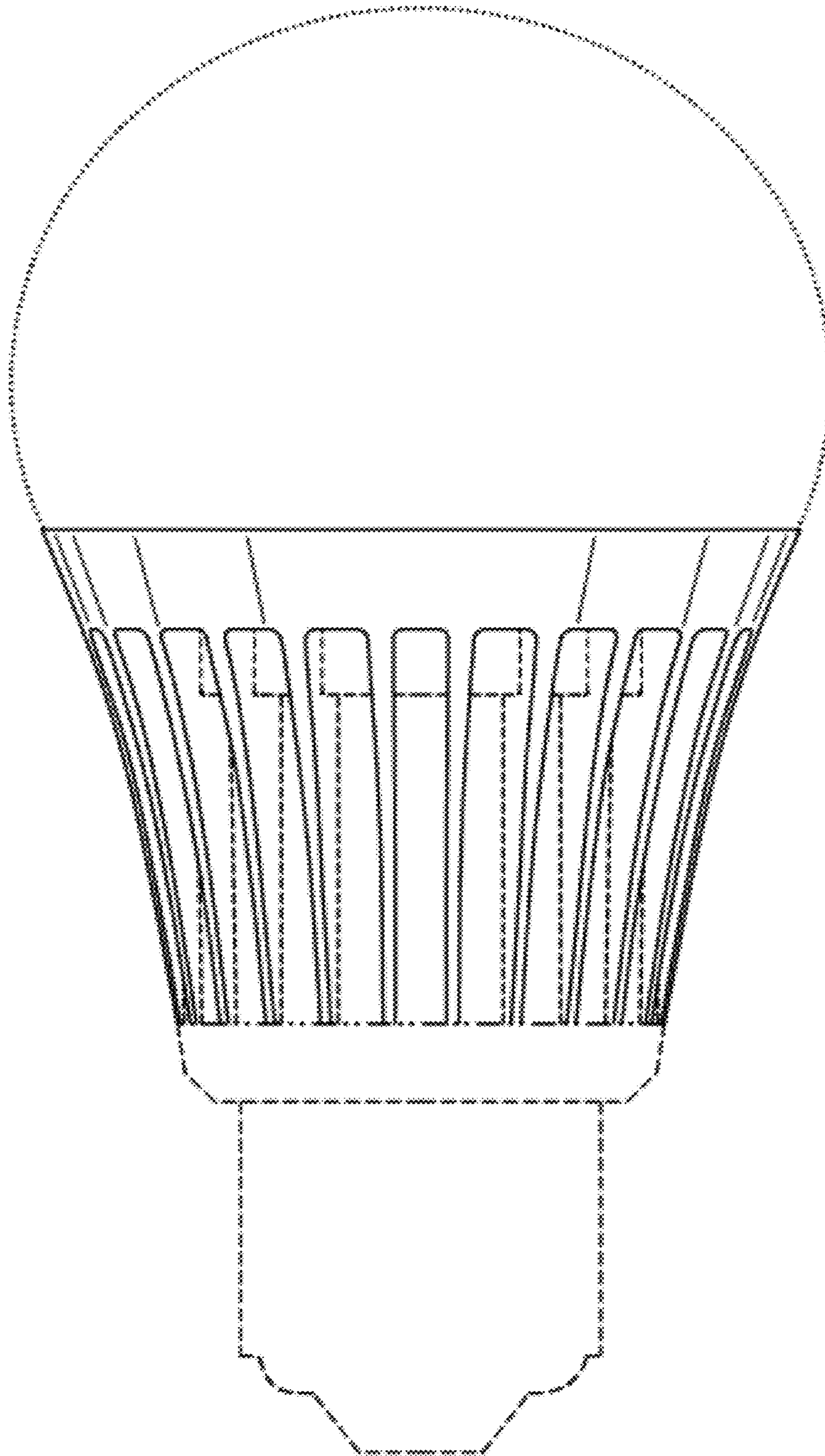
WO 2008113837 A2 9/2008

## OTHER PUBLICATIONS

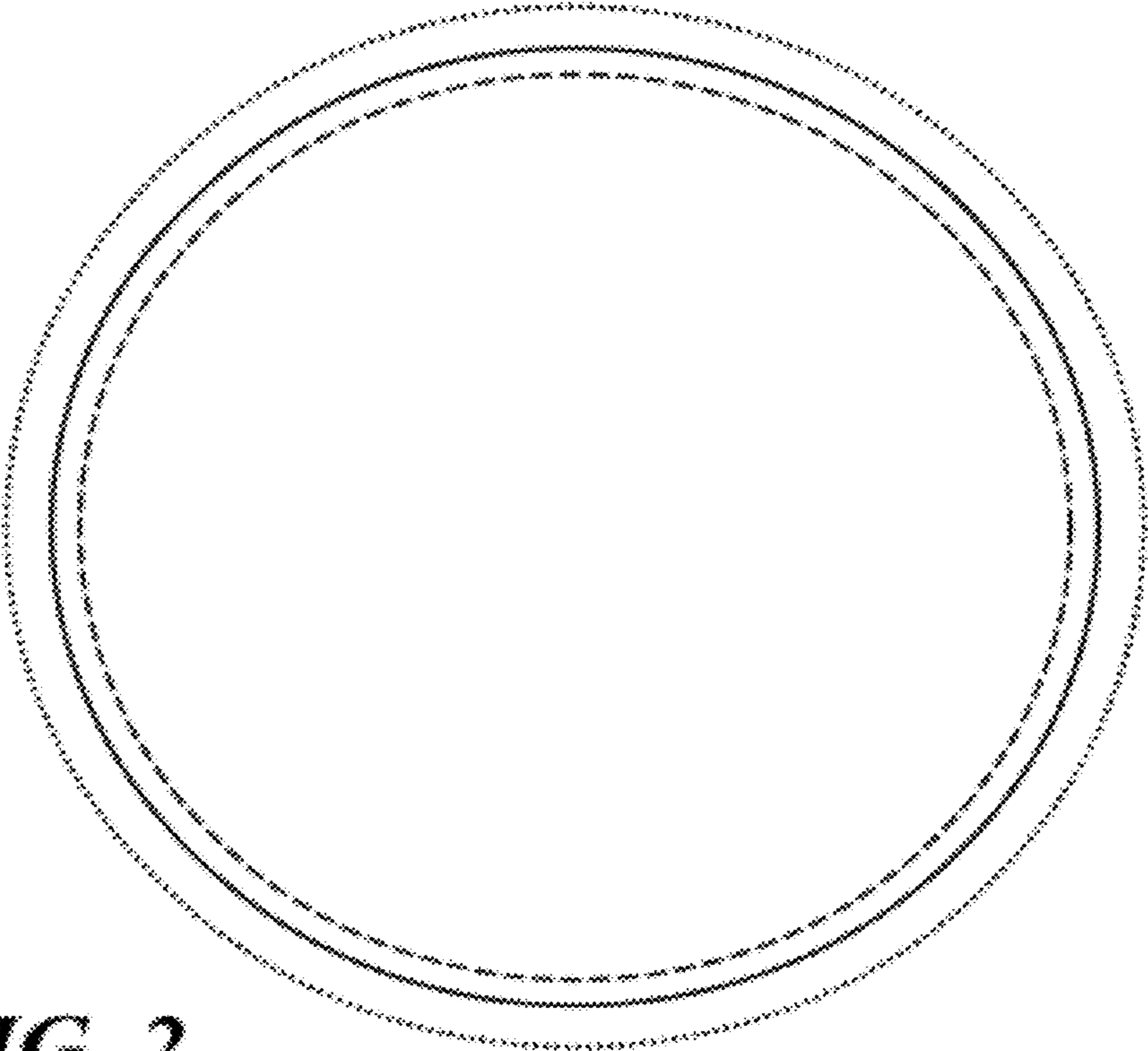
SP-E27 LB60 Nicha / Cree LED Lamp, posted Dec. 18, 2008, [http://www.diytrade.com/china/4/products/4950147/SP-E27\\_LB60\\_Nicha\\_Cree\\_LED\\_Lamp.html](http://www.diytrade.com/china/4/products/4950147/SP-E27_LB60_Nicha_Cree_LED_Lamp.html), accessed Jun. 30, 2009.  
F.S. Maxik, "GU10 Lamp" Office Action mailed Mar. 16, 2011; U.S. Appl. No. 29/340,670, filed Jul. 23, 2009.

\* cited by examiner

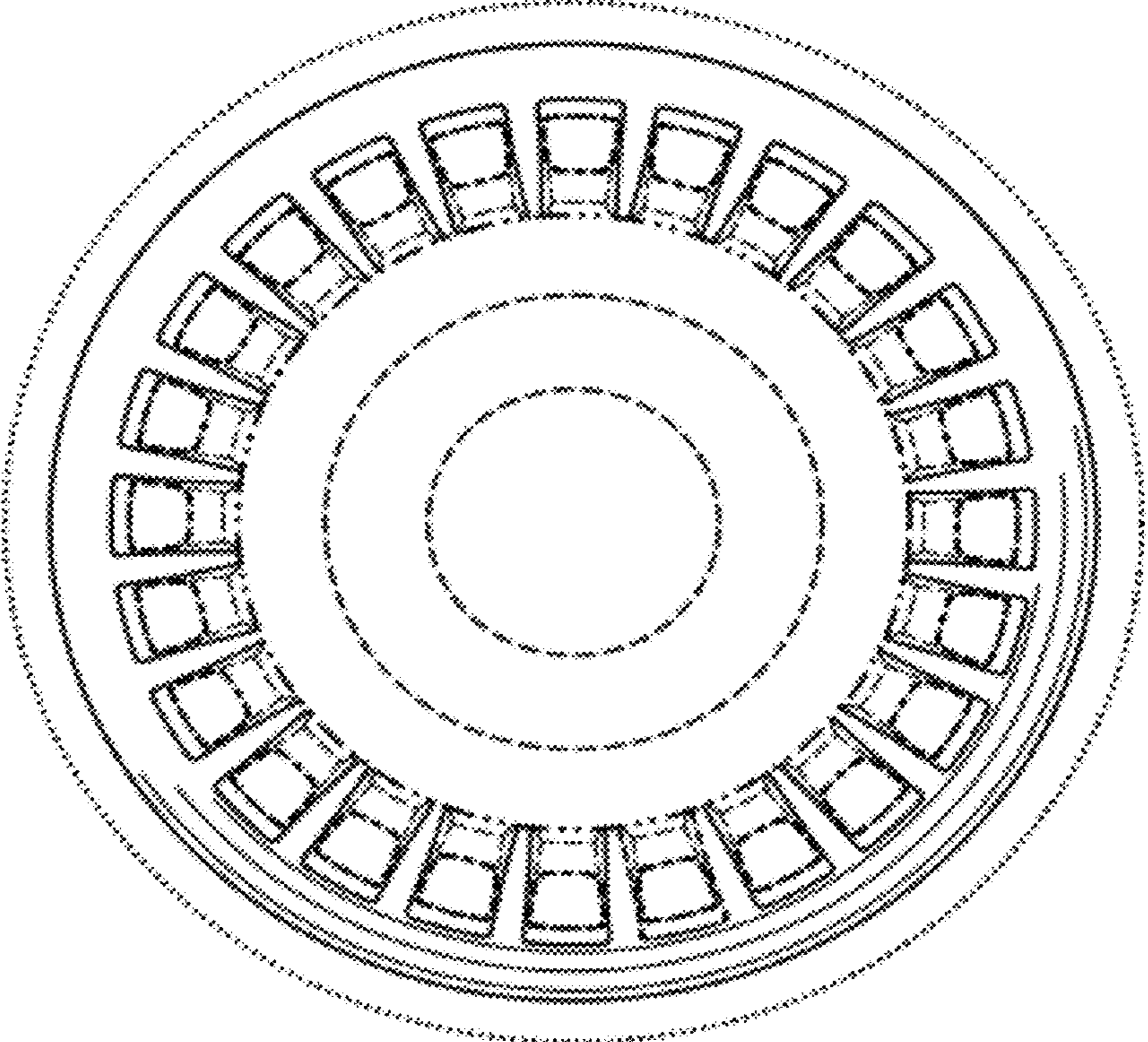




***FIG. 1***



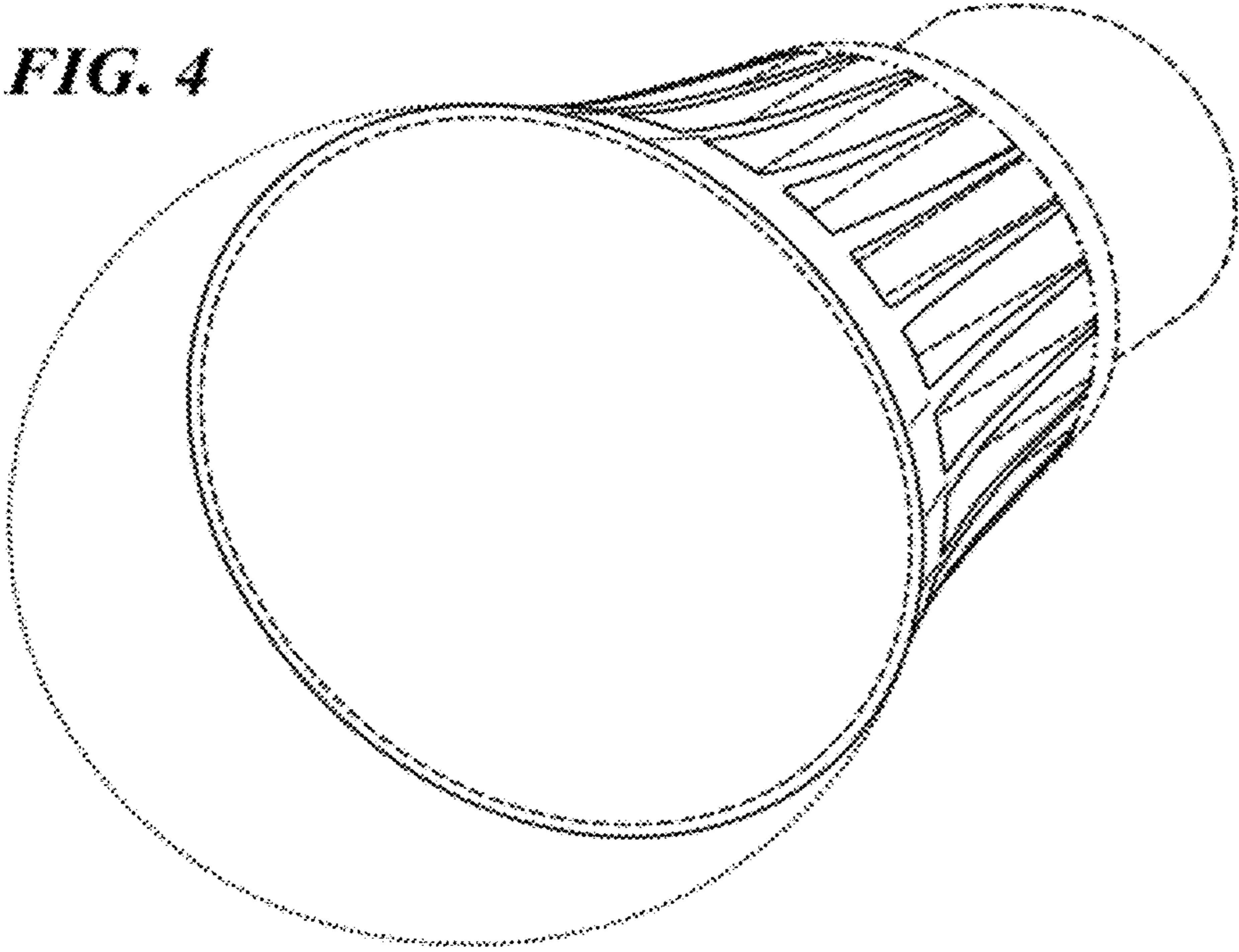
**FIG. 2**



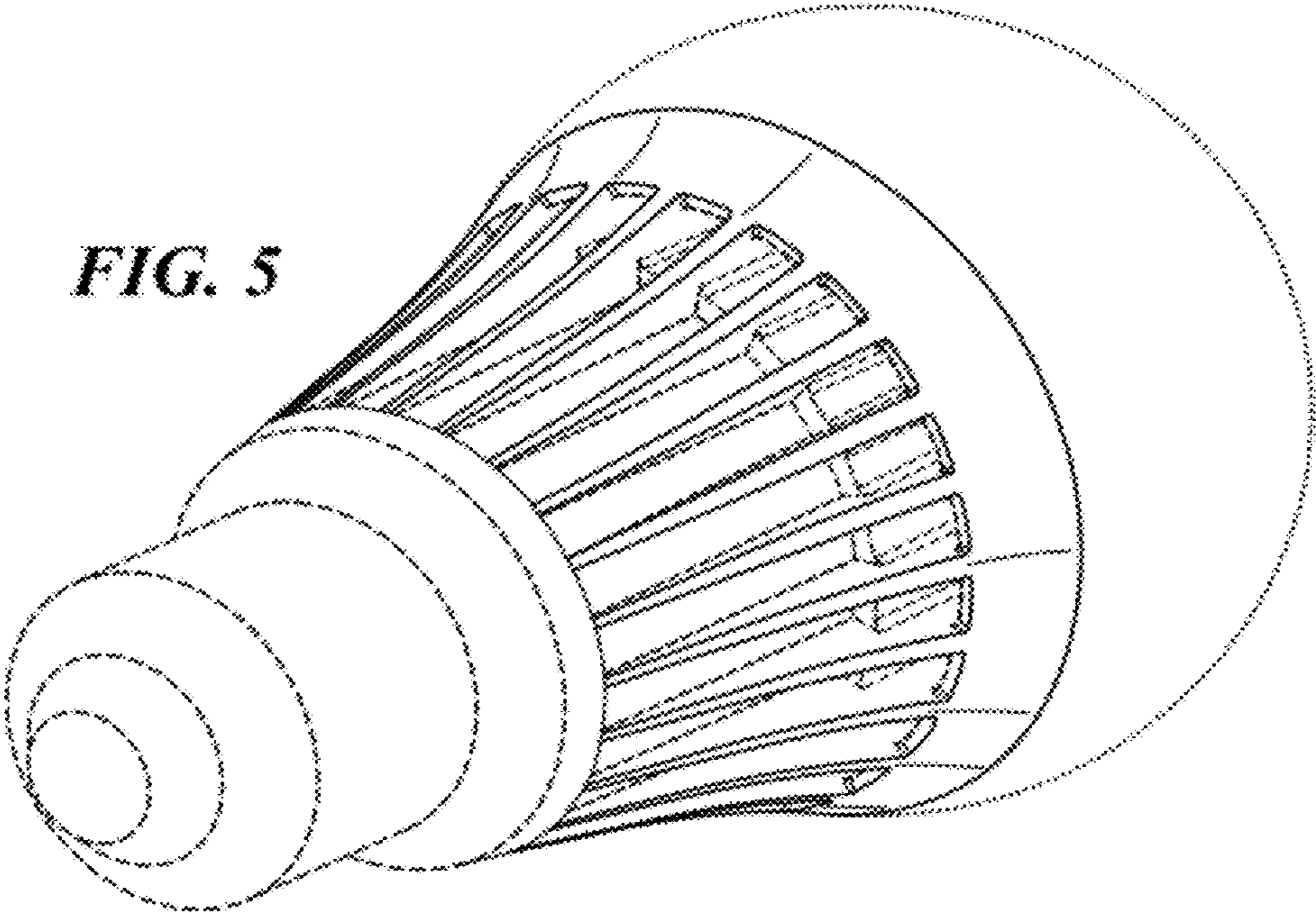
**FIG. 3**

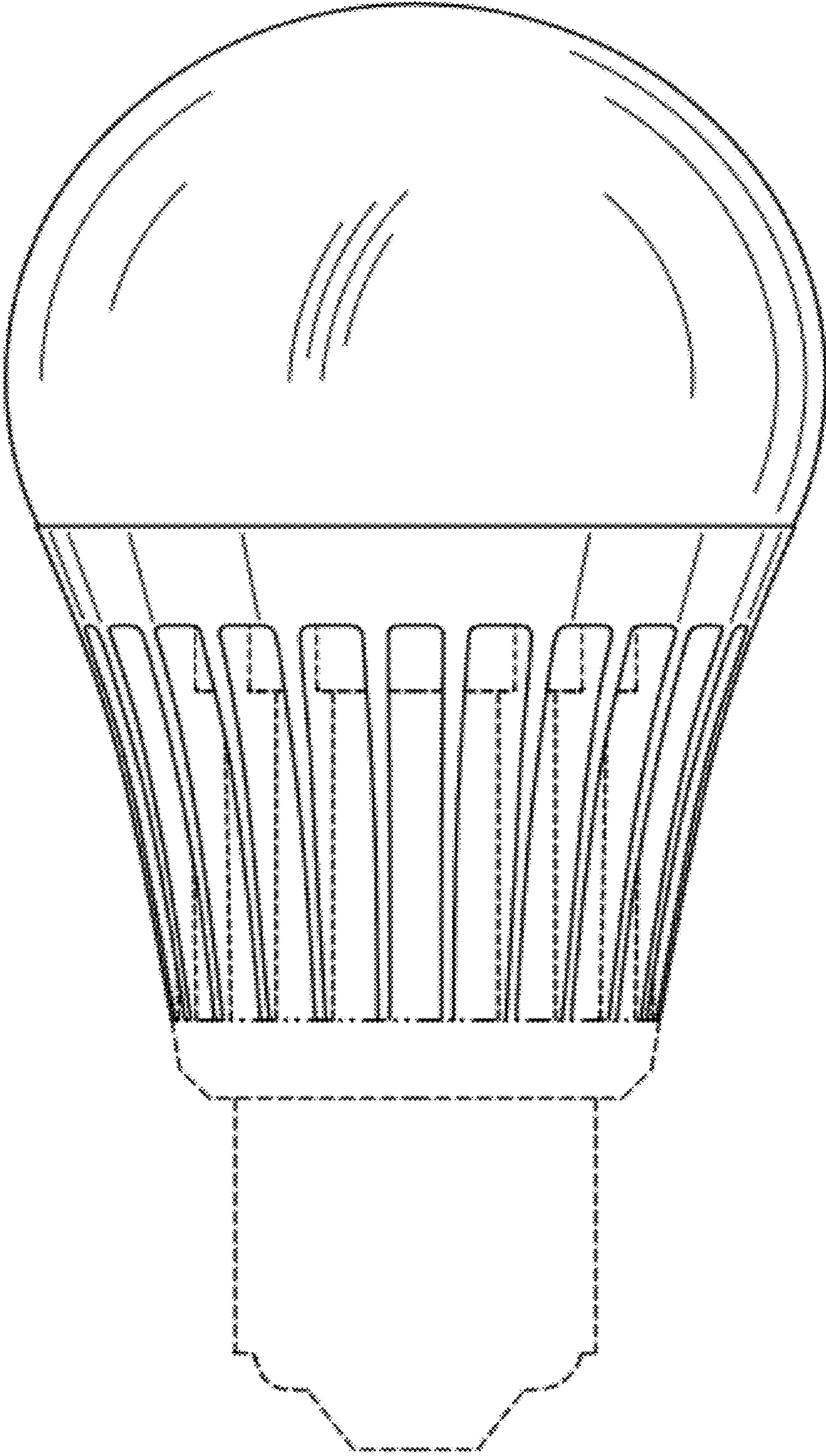


**FIG. 4**



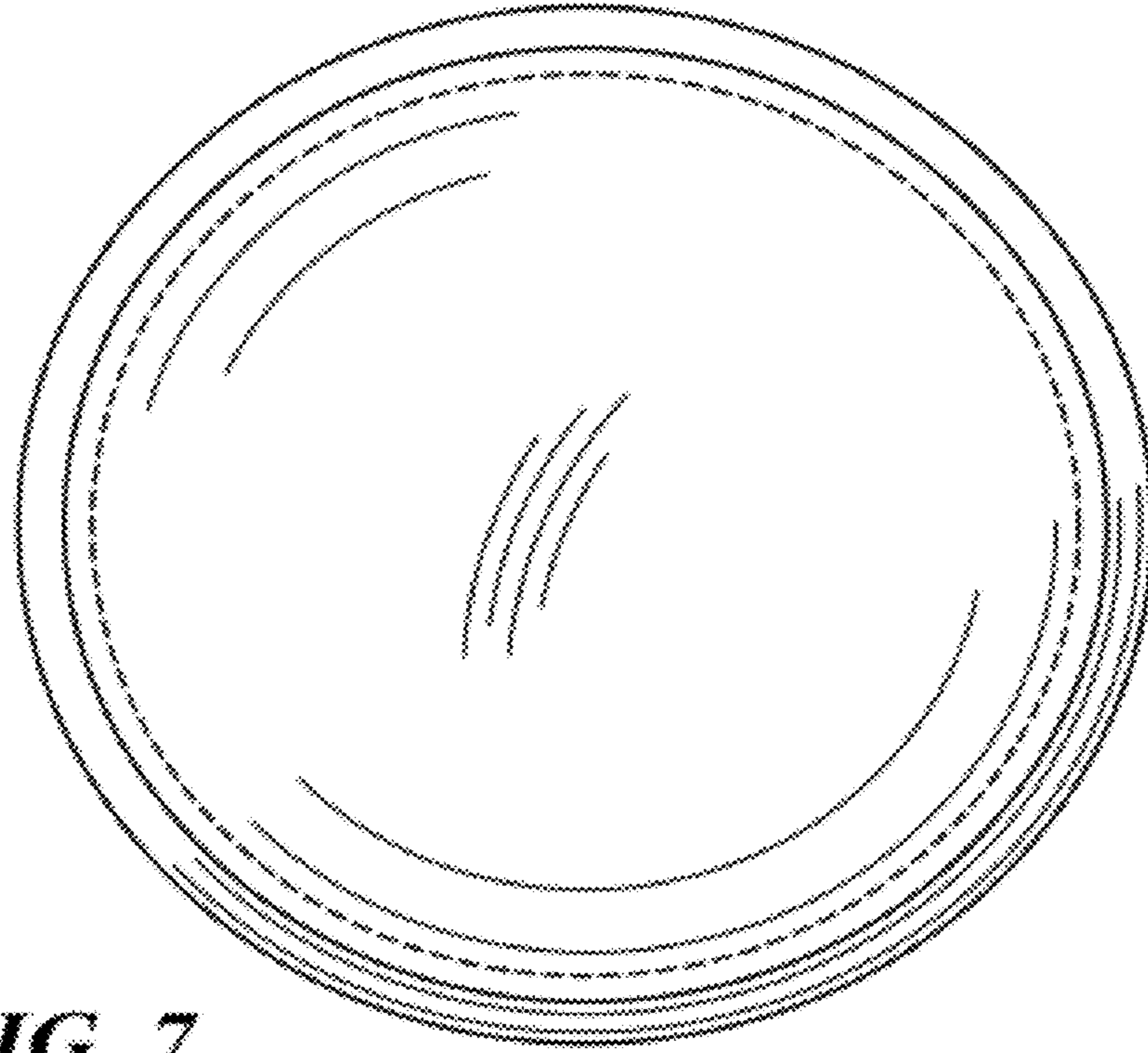
**FIG. 5**



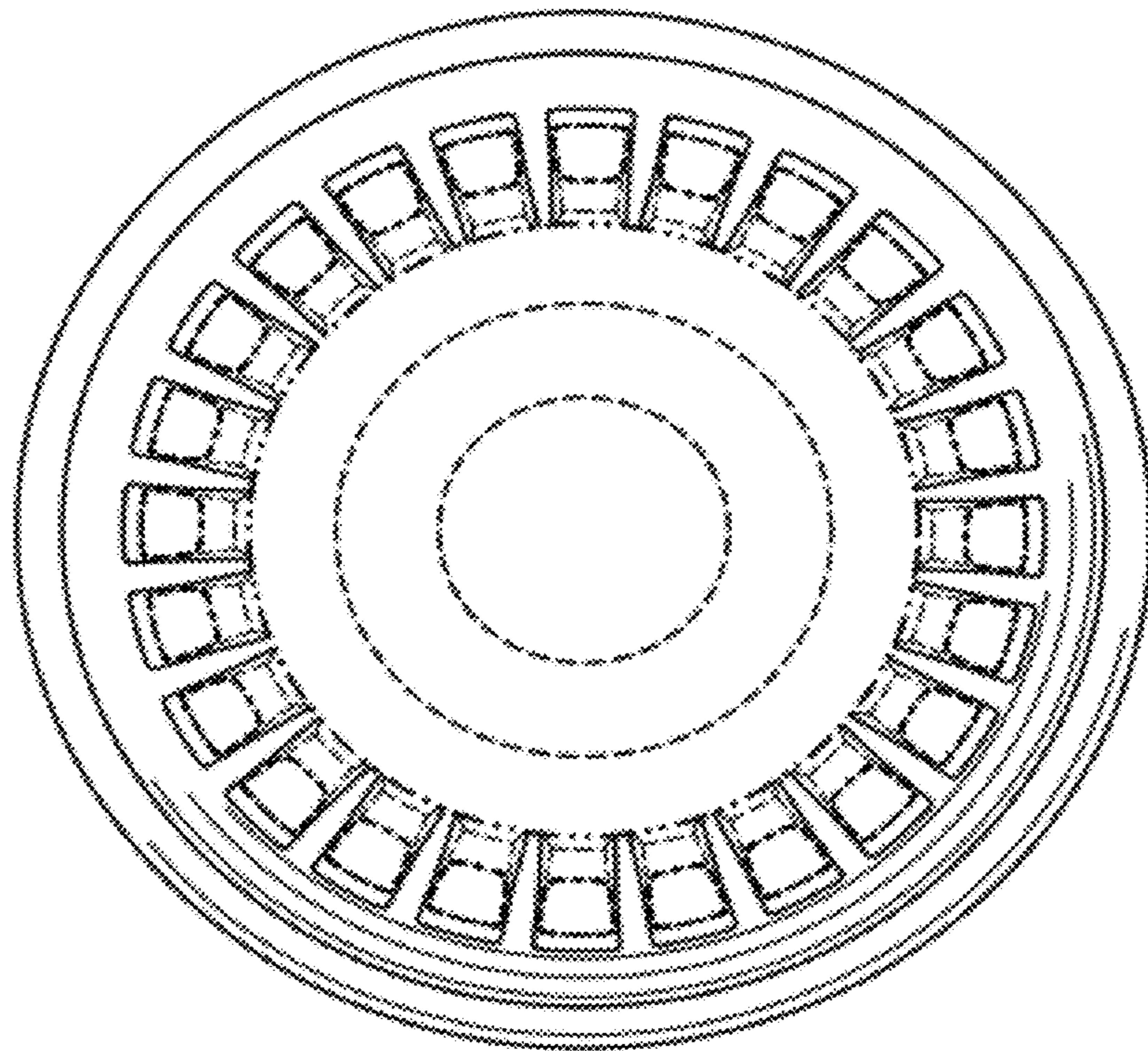


**FIG. 6**



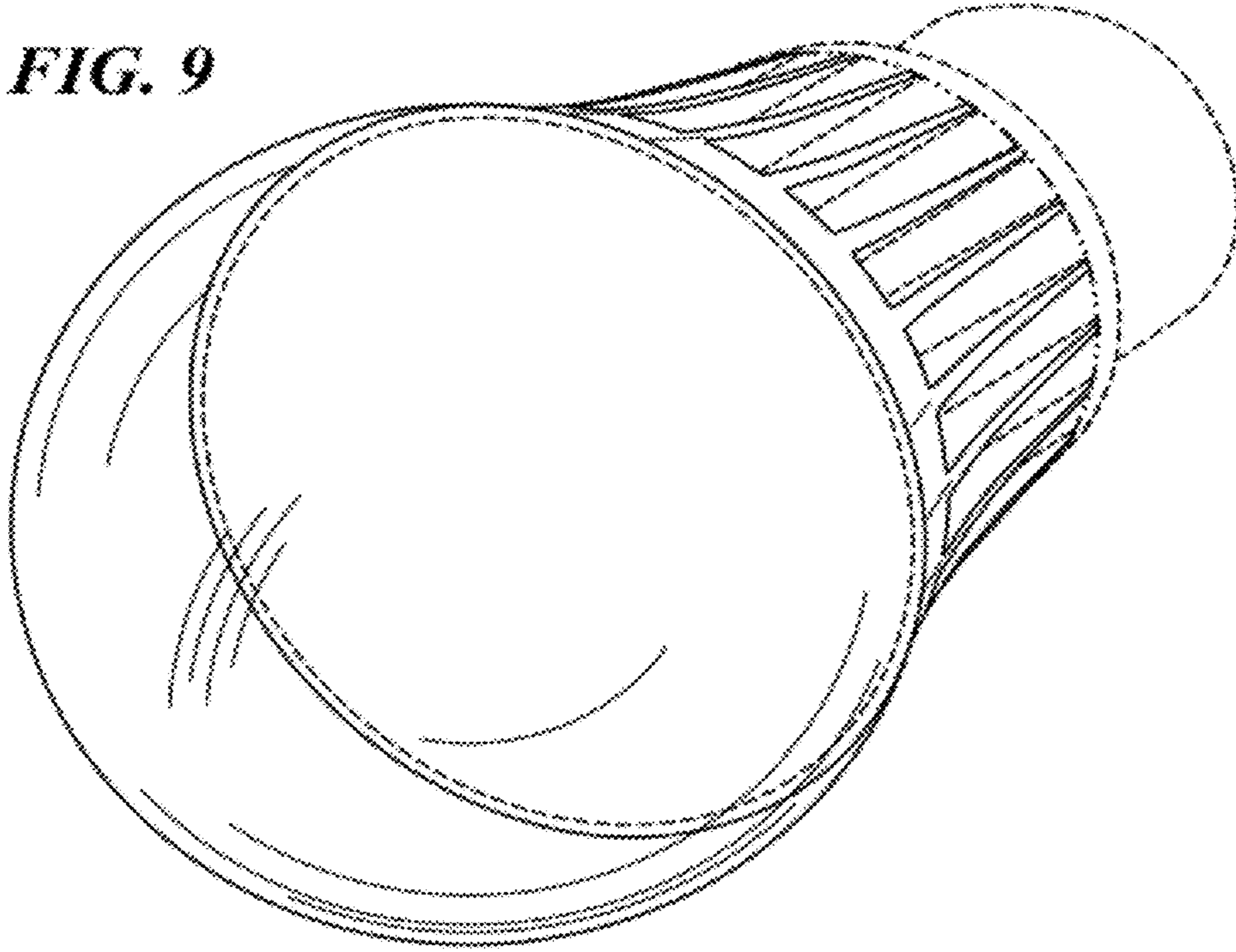


**FIG. 7**



**FIG. 8**

**FIG. 9**



**FIG. 10**

