



US00D663445S

(12) **United States Design Patent**
Sakamoto et al.

(10) **Patent No.:** **US D663,445 S**

(45) **Date of Patent:** **** Jul. 10, 2012**

(54) **LED LIGHT BULB**

(75) Inventors: **Mitsuhide Sakamoto**, Aichi (JP);
Toshiaki Yagi, Aichi (JP); **Junichi Ando**, Aichi (JP)

(73) Assignee: **S. K. G. Co., Ltd.**, Aichi (JP)

(**) Term: **14 Years**

(21) Appl. No.: **29/347,973**

(22) Filed: **Aug. 20, 2010**

(30) **Foreign Application Priority Data**

Feb. 23, 2010 (JP) 2010-004145
Apr. 23, 2010 (JP) 2010-010261
Apr. 23, 2010 (JP) 2010-010263

(51) **LOC (9) Cl.** **26-04**

(52) **U.S. Cl.** **D26/2**

(58) **Field of Classification Search** D26/1-5,
D26/120, 138, 113; 313/313, 315, 316, 317,
313/318, 493; 315/52, 53, 56, 57, 58; 362/290,
362/294, 309; D13/180, 110

See application file for complete search history.

(56) **References Cited**

U.S. PATENT DOCUMENTS

D289,798	S	*	5/1987	Joosten	D26/3
4,777,405	A	*	10/1988	Hermes et al.	313/634
4,792,726	A	*	12/1988	Gandhi	315/52
D304,030	S	*	10/1989	Vakil	D13/135
D346,456	S	*	4/1994	Matsumura et al.	D26/3
D347,076	S	*	5/1994	DeKleine et al.	D26/3
D347,077	S	*	5/1994	DeKleine et al.	D26/3
5,309,062	A	*	5/1994	Perkins et al.	315/53
5,546,291	A	*	8/1996	Simes	362/223
5,575,459	A	*	11/1996	Anderson	362/240
D383,224	S	*	9/1997	Sangen et al.	D26/3
D417,296	S	*	11/1999	Kato et al.	D26/3
7,014,337	B2	*	3/2006	Chen	362/240
D574,091	S	*	7/2008	Sun	D26/2
7,434,964	B1	*	10/2008	Zheng et al.	362/294
7,492,103	B2	*	2/2009	Hwang	315/56
7,513,653	B1	*	4/2009	Liu et al.	362/294
7,585,090	B2	*	9/2009	Wu	362/249.02
7,637,636	B2	*	12/2009	Zheng et al.	362/294
D629,537	S	*	12/2010	Hsu et al.	D26/3

D630,348	S	*	1/2011	Duan et al.	D26/2
D631,567	S	*	1/2011	Lodhie	D26/2
D641,895	S	*	7/2011	Huang	D26/3
8,072,123	B1	*	12/2011	Han	313/45
8,092,045	B2	*	1/2012	Xiao et al.	362/249.02
2004/0114367	A1	*	6/2004	Li	362/248
2007/0159828	A1	*	7/2007	Wang	362/294
2008/0013318	A1	*	1/2008	Sun et al.	362/294
2008/0316755	A1	*	12/2008	Zheng et al.	362/373
2011/0156584	A1	*	6/2011	Kim	315/32

* cited by examiner

Primary Examiner — Jeffrey D Asch

(74) *Attorney, Agent, or Firm* — Rabin & Berdo, P.C.

(57) **CLAIM**

The ornamental design for an LED light bulb, as shown and described.

DESCRIPTION

Embodiment 1:

FIG. 1 is a perspective view thereof;
FIG. 2 is a front view thereof;
FIG. 3 is a rear view thereof;
FIG. 4 is a plan view thereof;
FIG. 5 is a bottom plan view thereof;
FIG. 6 is a right side view thereof; and
FIG. 7 is a left side view thereof.

Embodiment 2:

FIG. 8 is a perspective view thereof
FIG. 9 is a front view thereof;
FIG. 10 is a rear view thereof;
FIG. 11 is a plan view thereof;
FIG. 12 is a bottom plan view thereof;
FIG. 13 is a right side view thereof
FIG. 14 is a left side view thereof.

Embodiment 3:

FIG. 15 is a perspective view thereof
FIG. 16 is a front view thereof;
FIG. 17 is a rear view thereof;
FIG. 18 is a plan view thereof;
FIG. 19 is a bottom plan view thereof;
FIG. 20 is a right side view thereof; and,
FIG. 21 is a left side view thereof.

The portions of the LED light bulb that are shown in broken lines throughout the drawings are for illustrative purposes only and form no part of the claimed design.

1 Claim, 12 Drawing Sheets

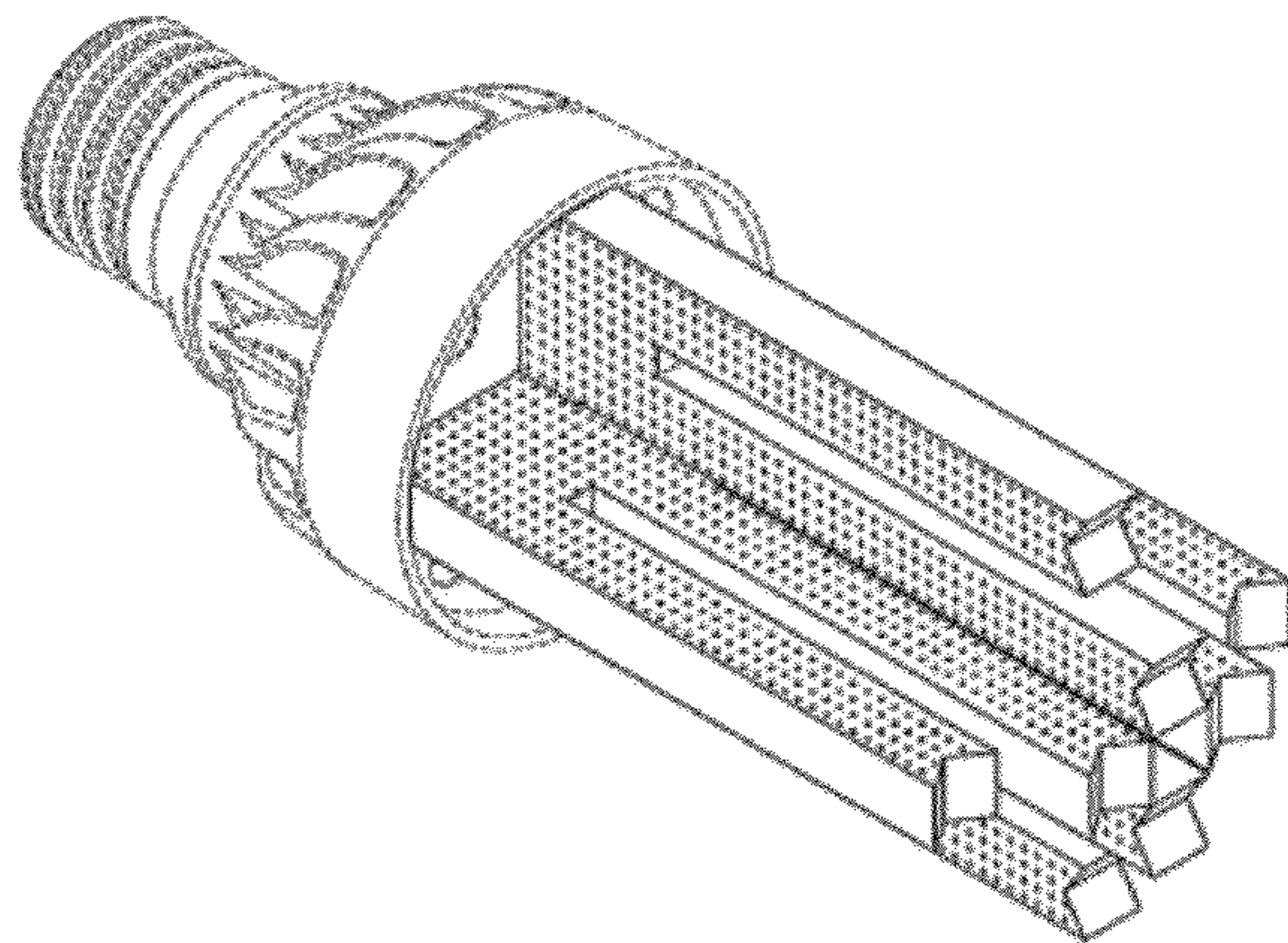
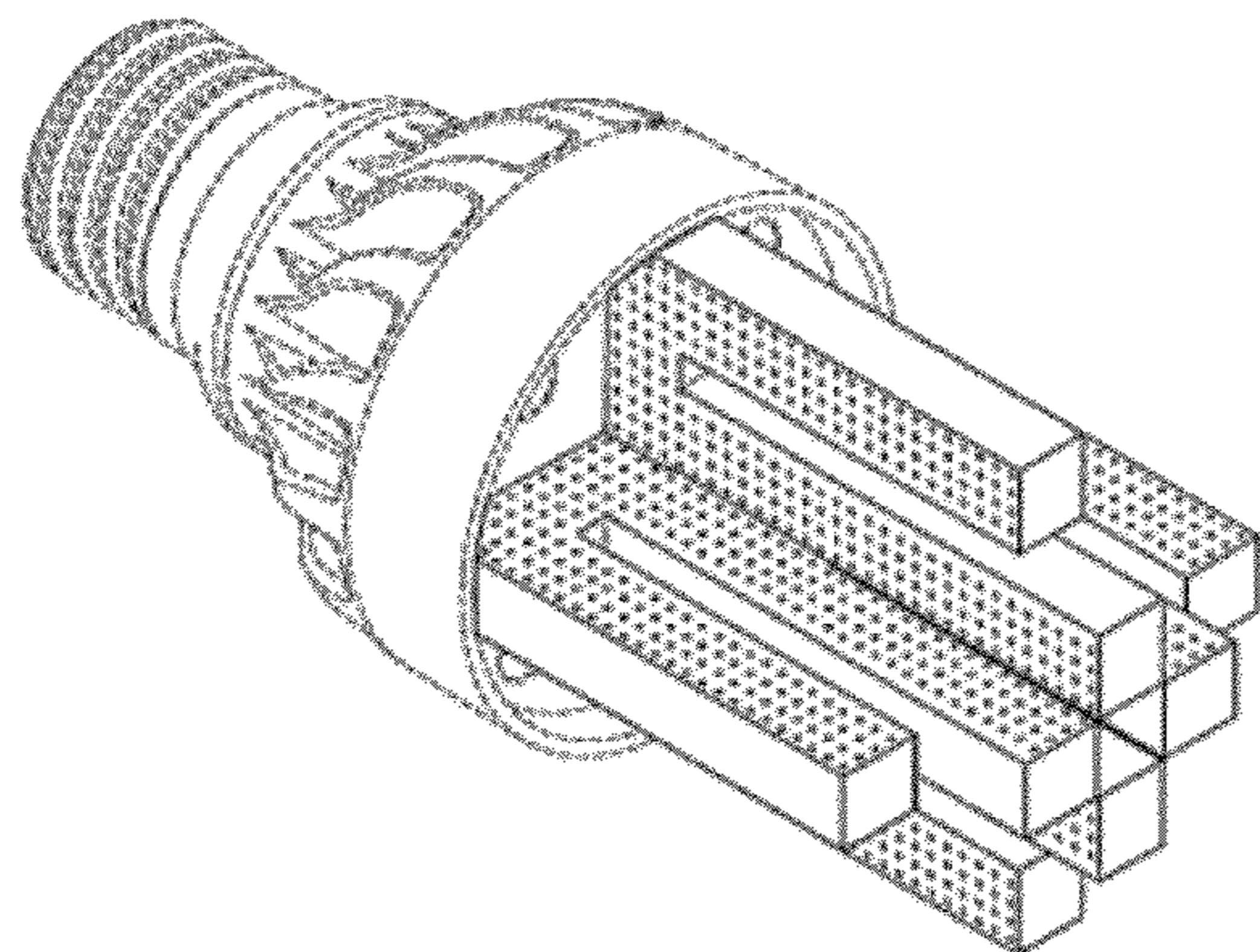


FIGURE 1

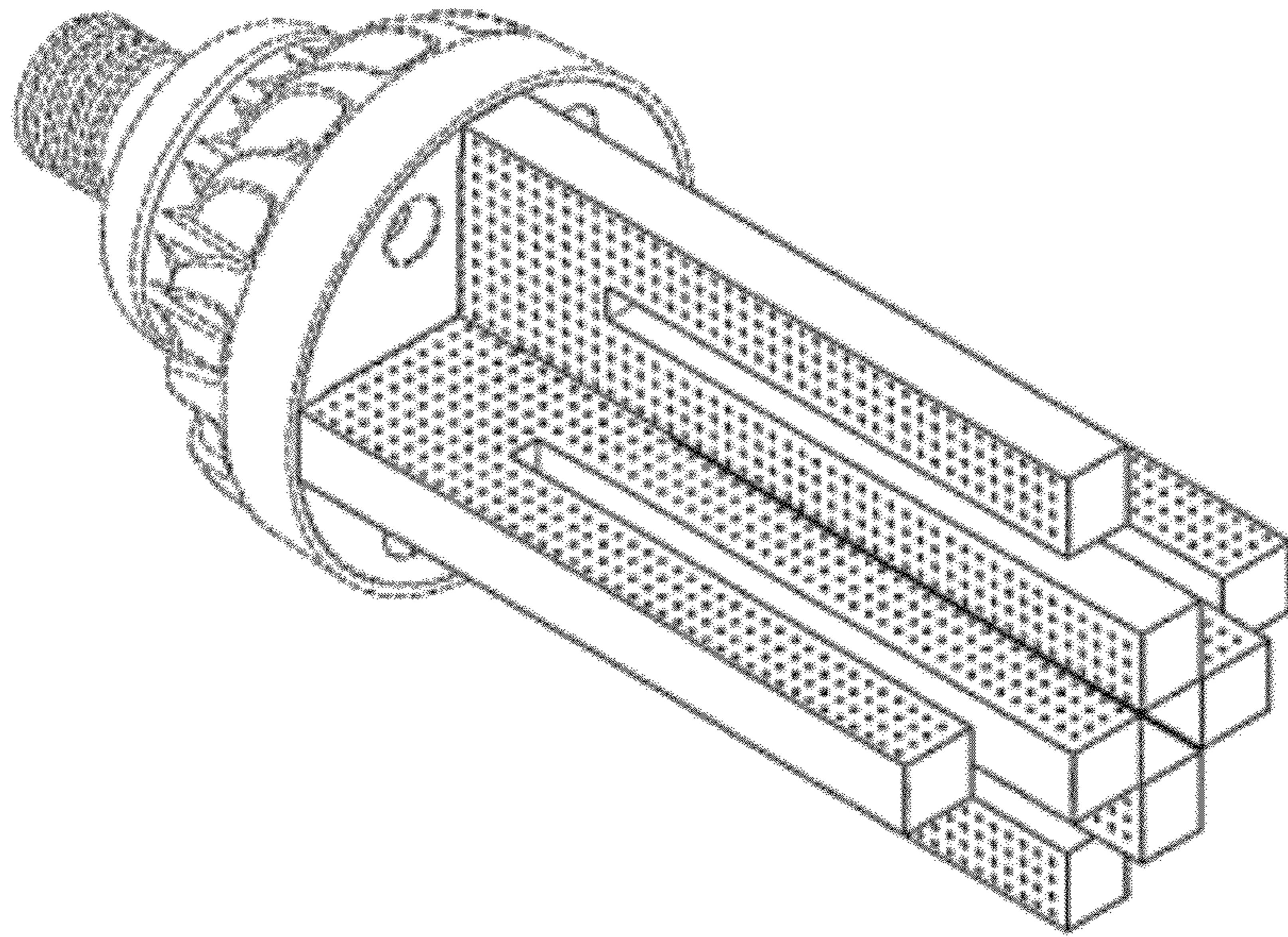


FIGURE 2

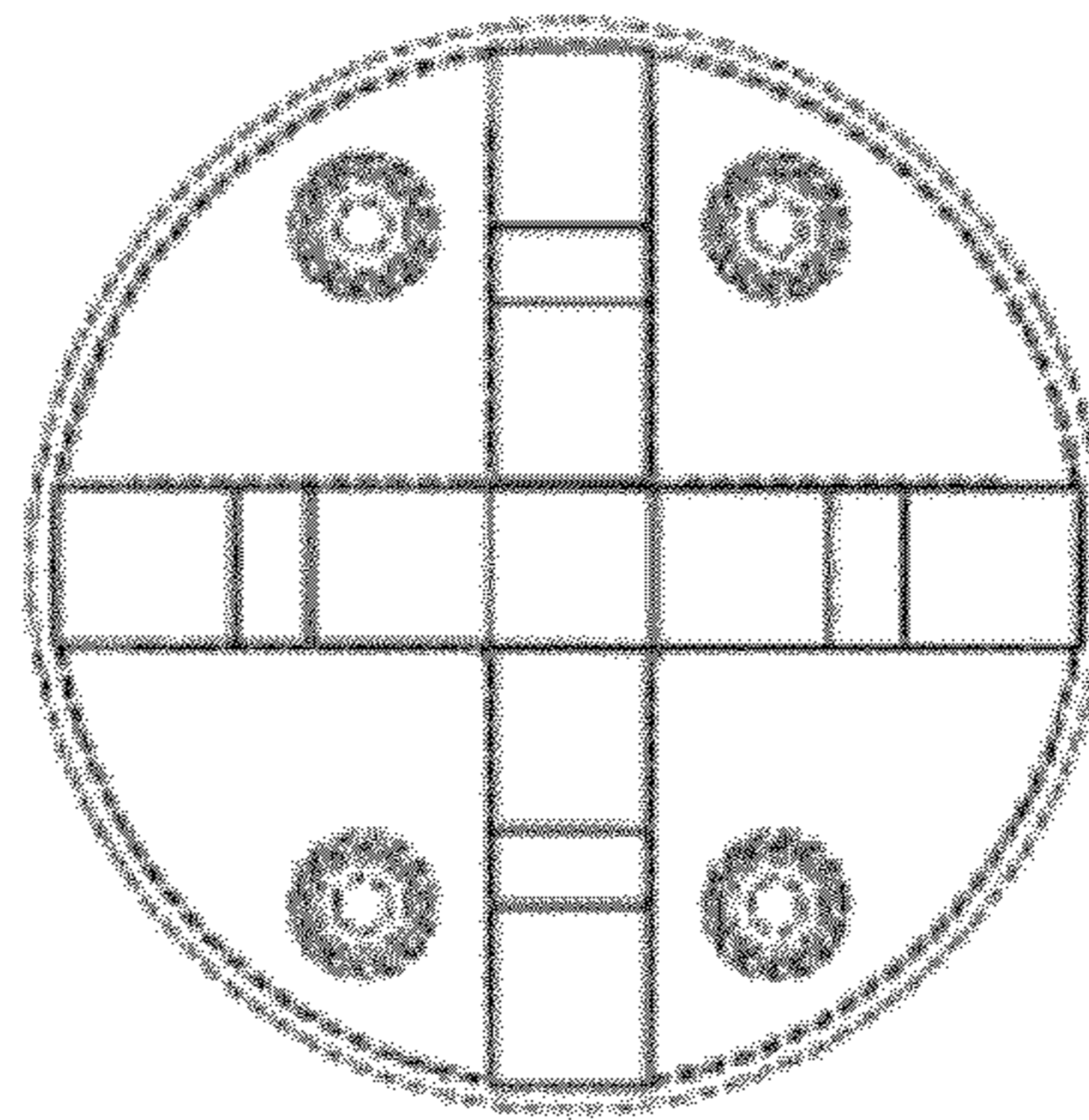


FIGURE 3

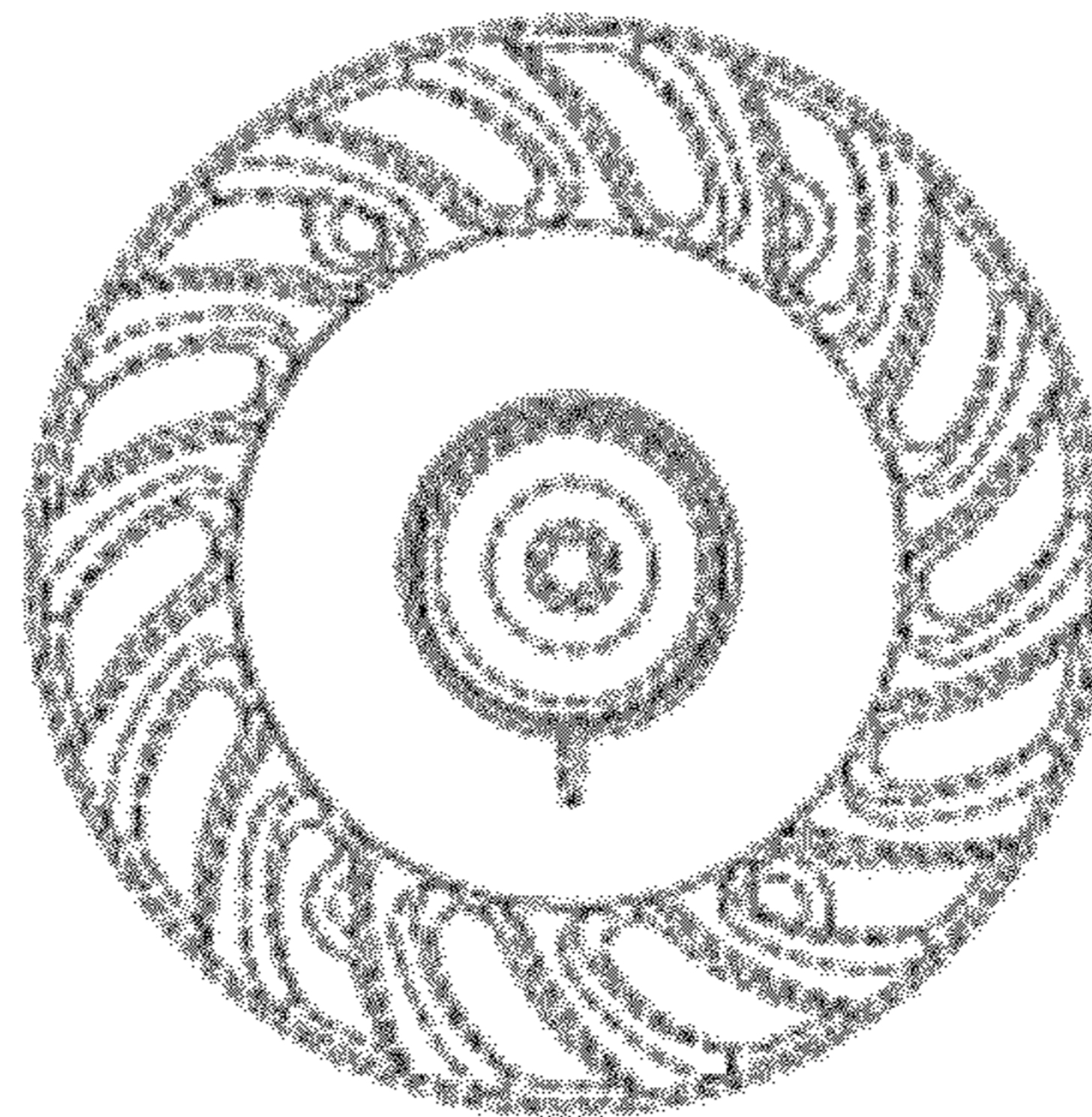


FIGURE 4

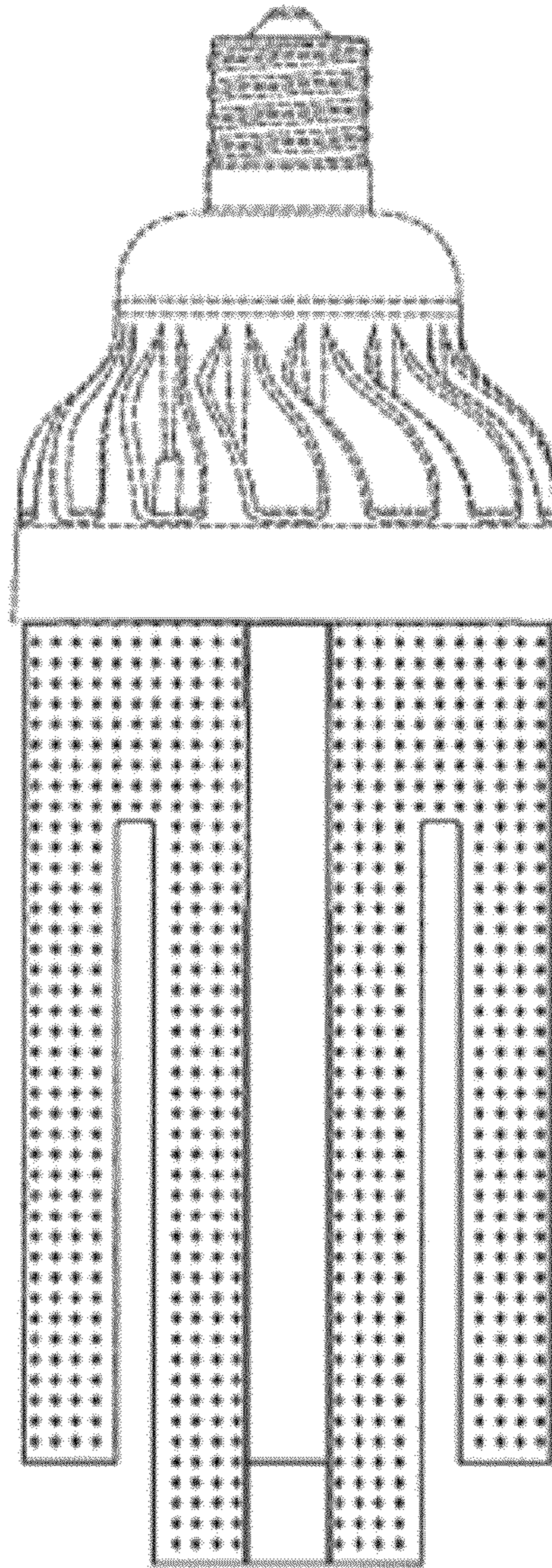


FIGURE 5

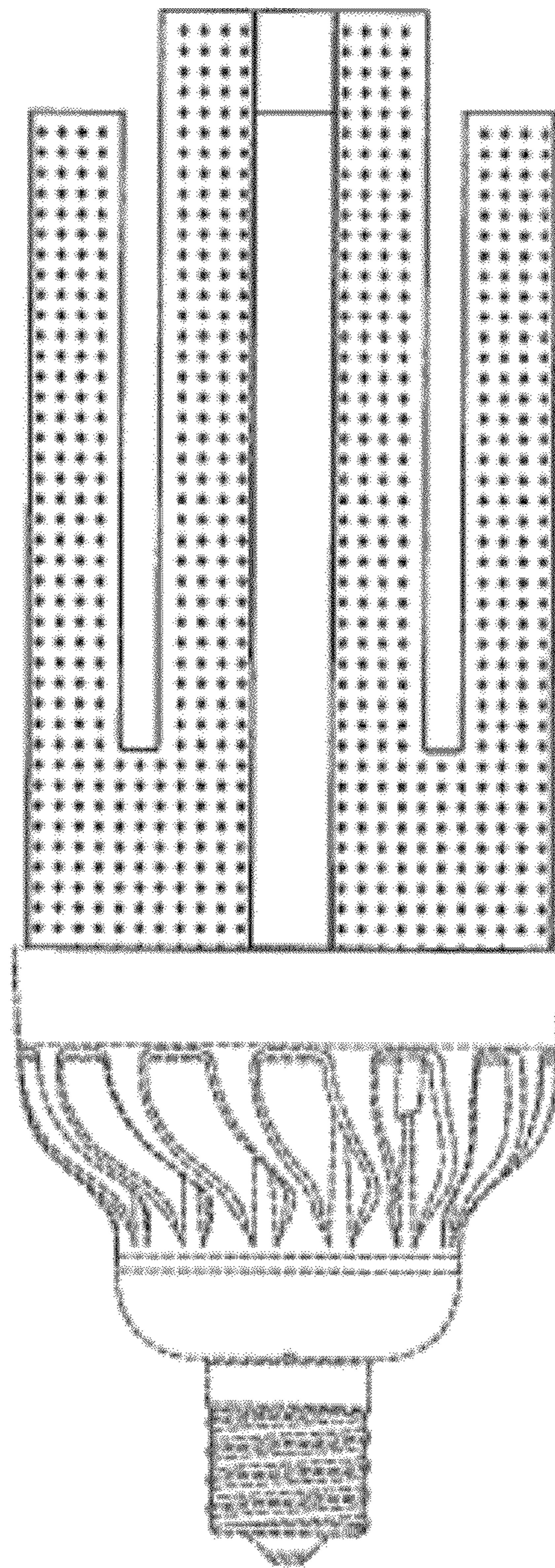


FIGURE 6

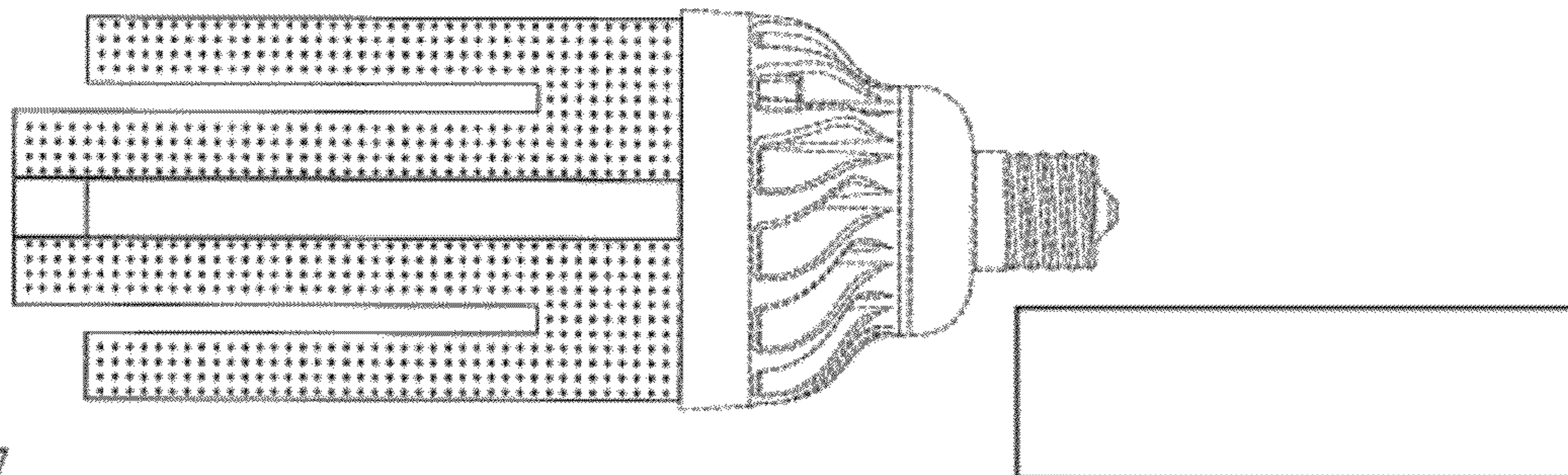


FIGURE 7

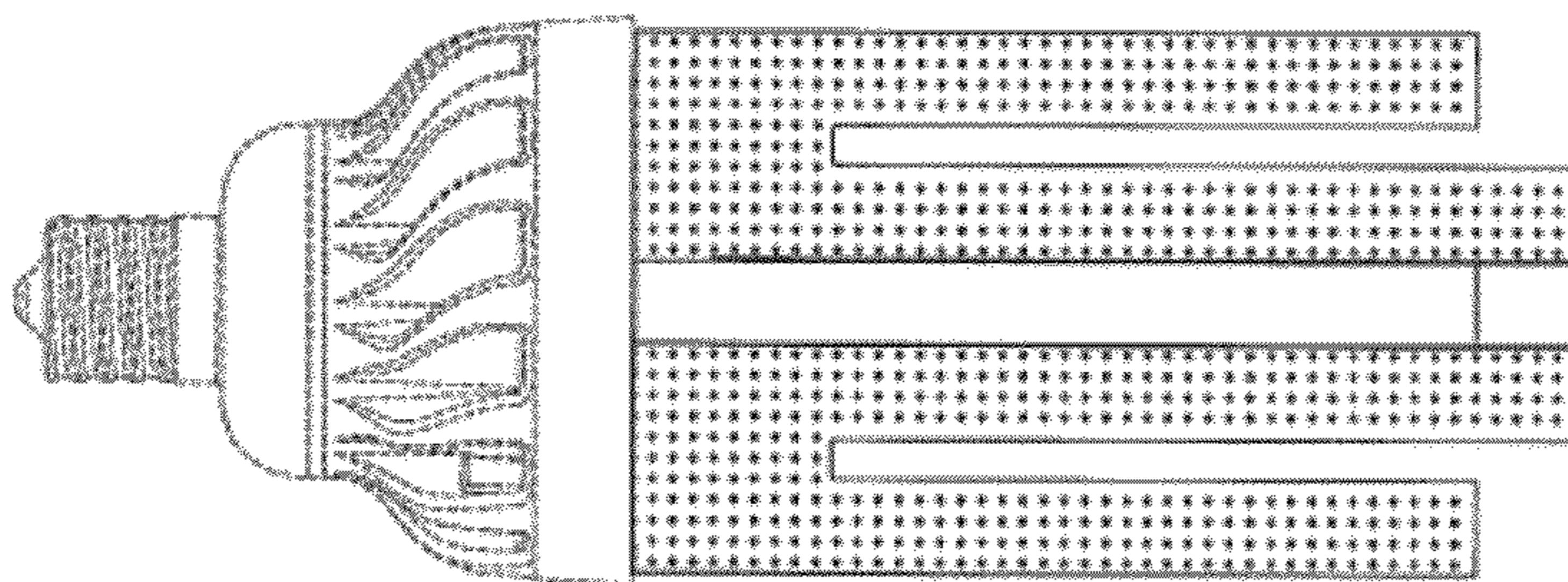


FIGURE 8

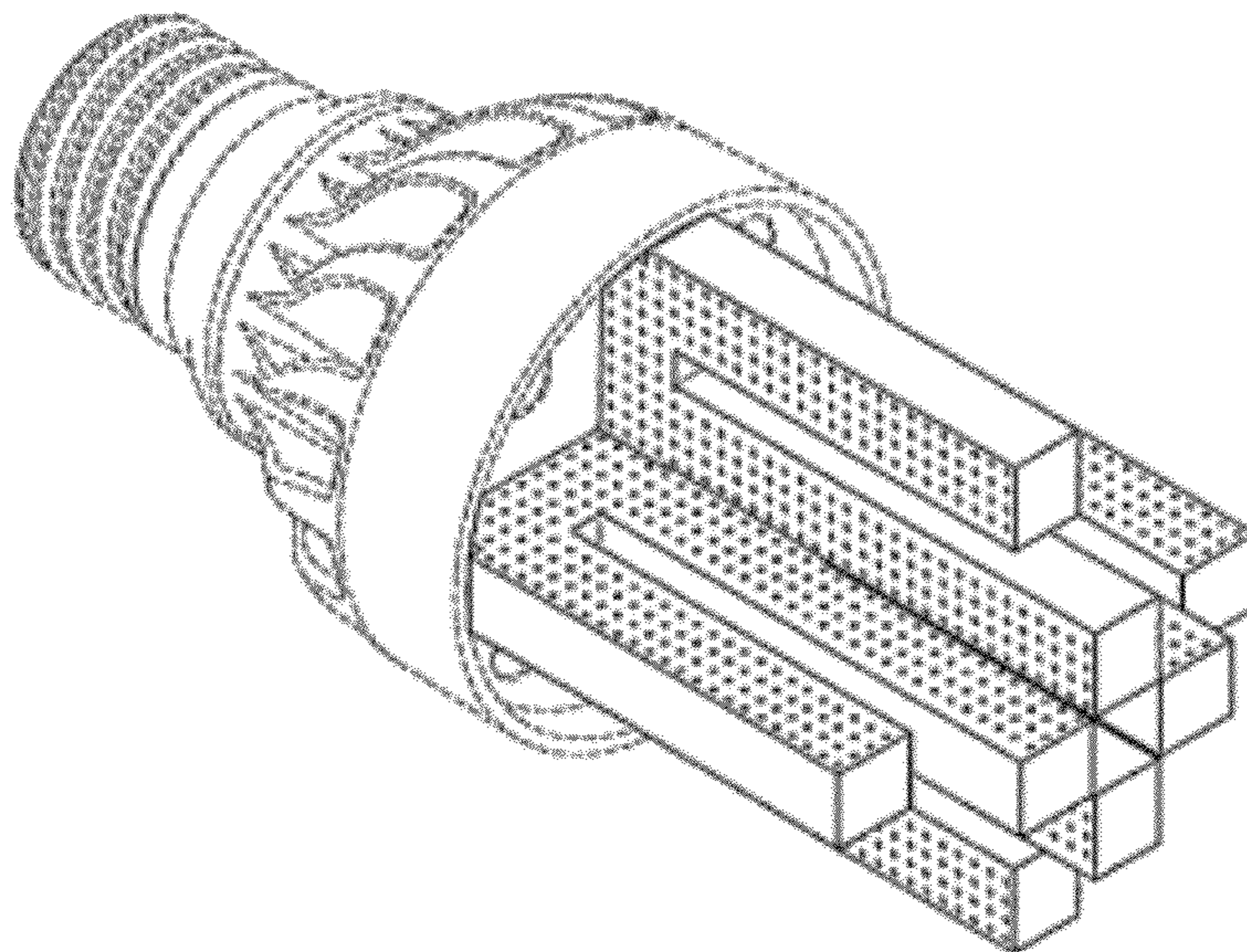


FIGURE 9

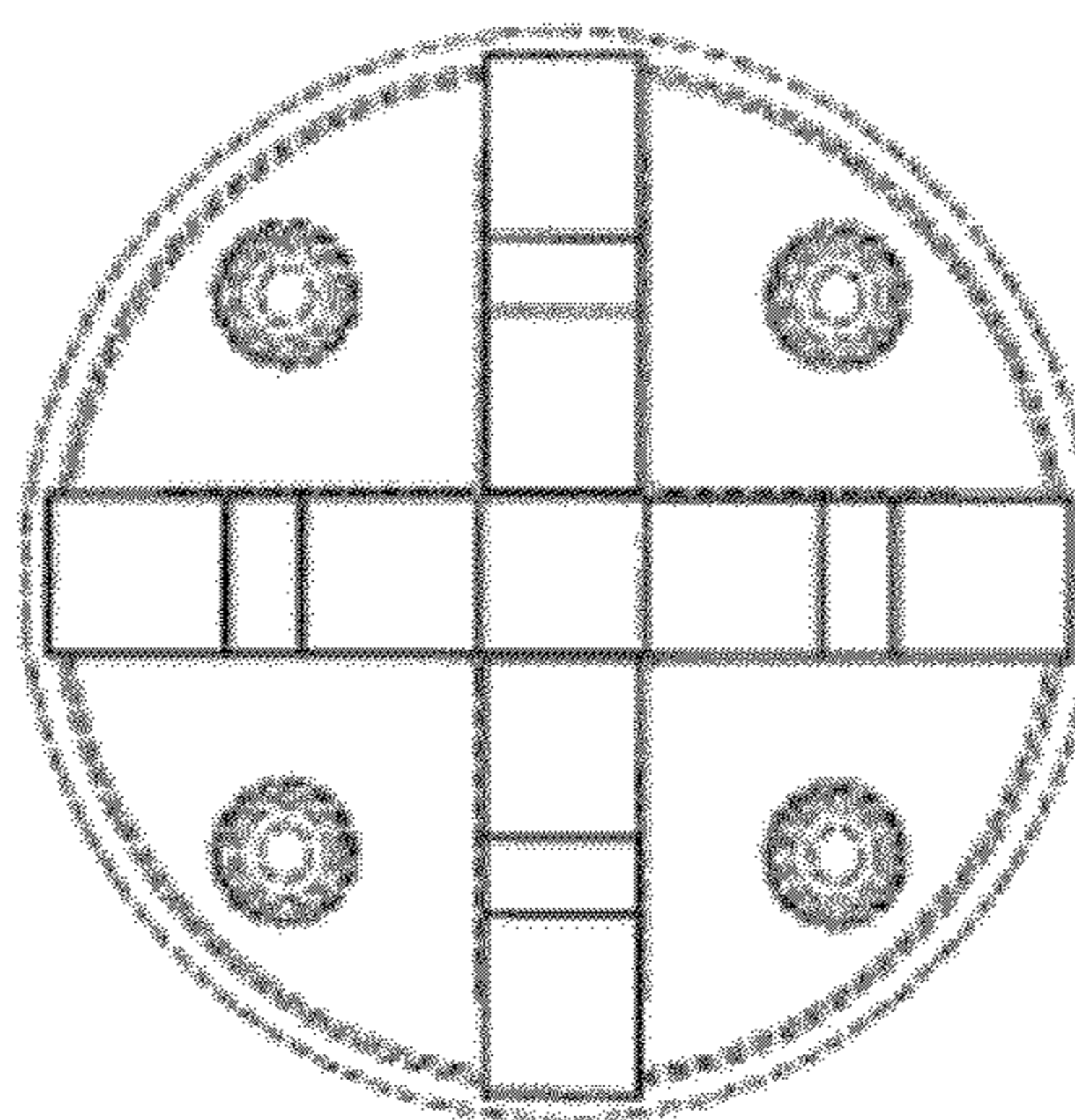


FIGURE 10

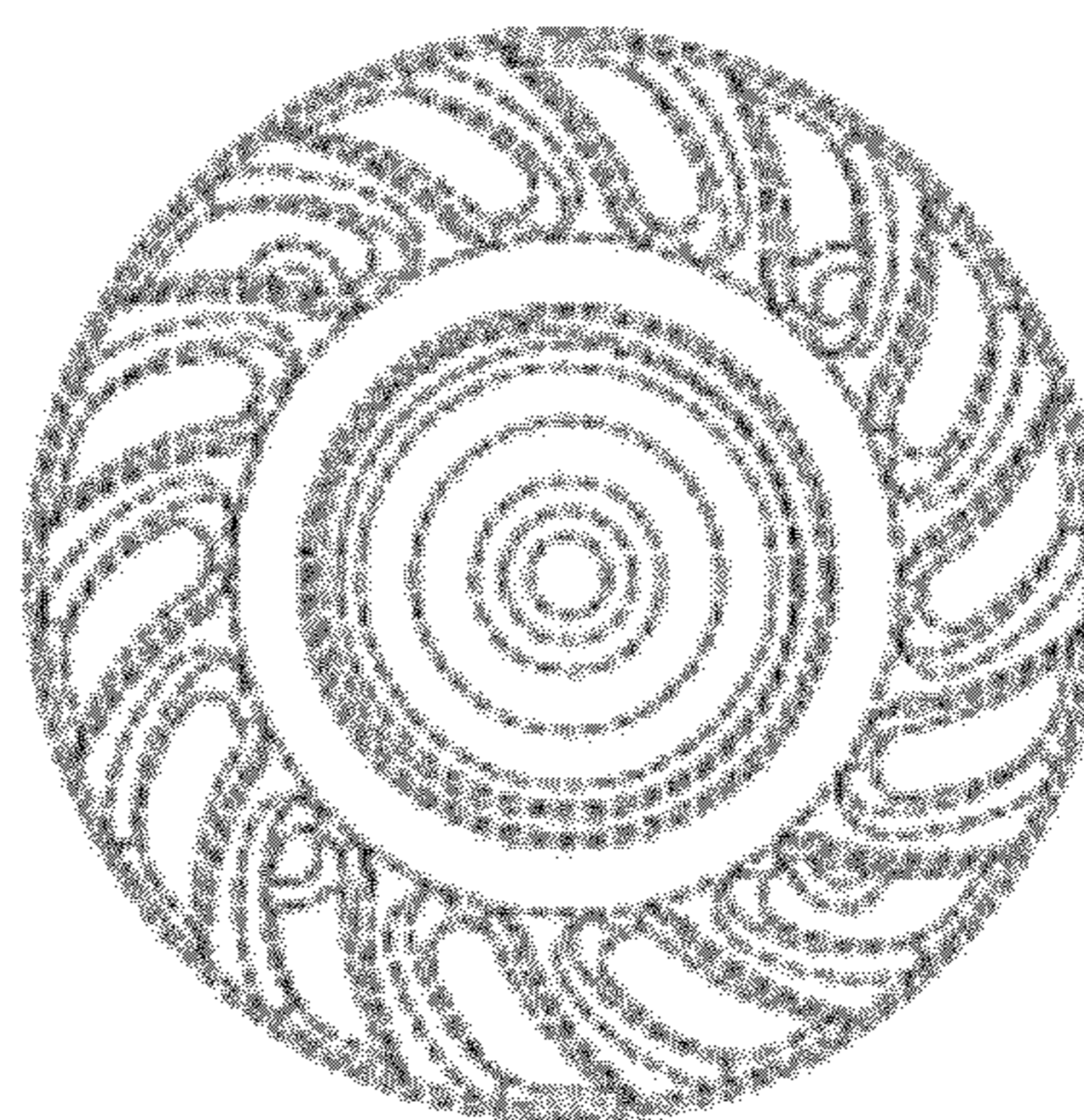


FIGURE 11

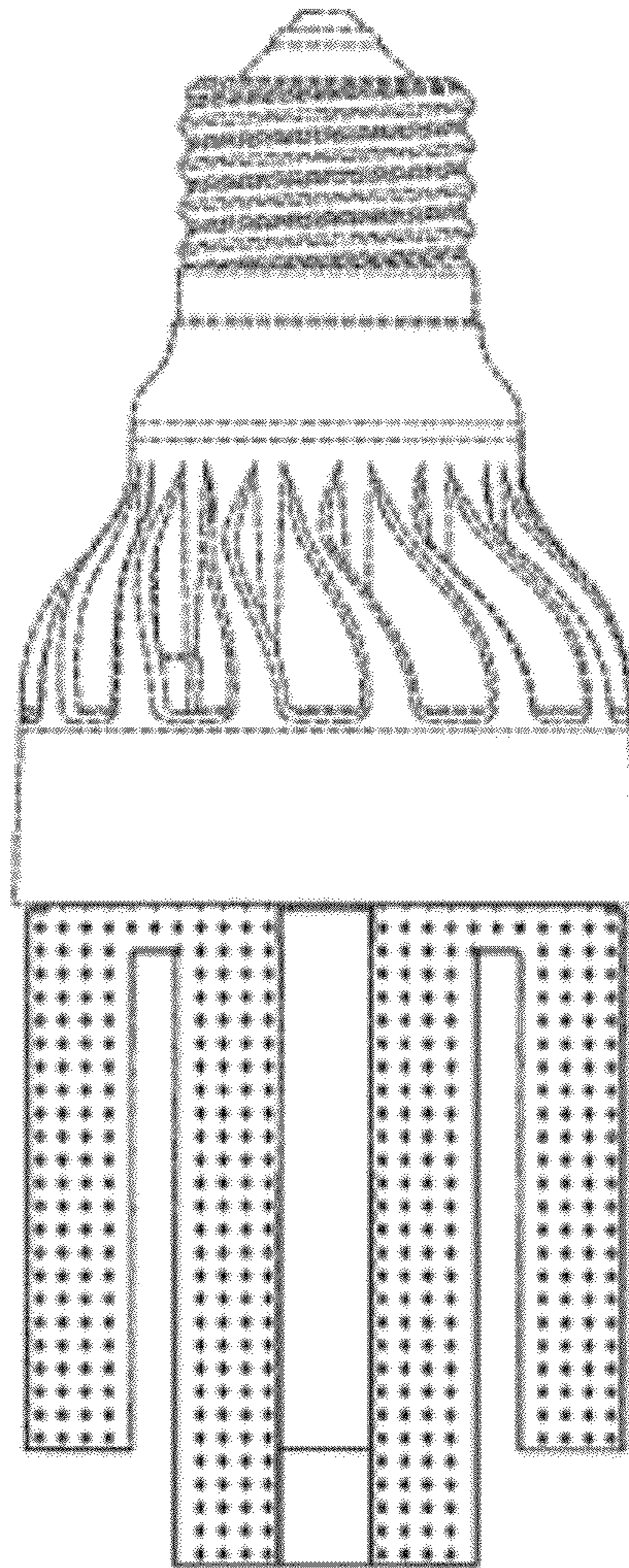


FIGURE 12

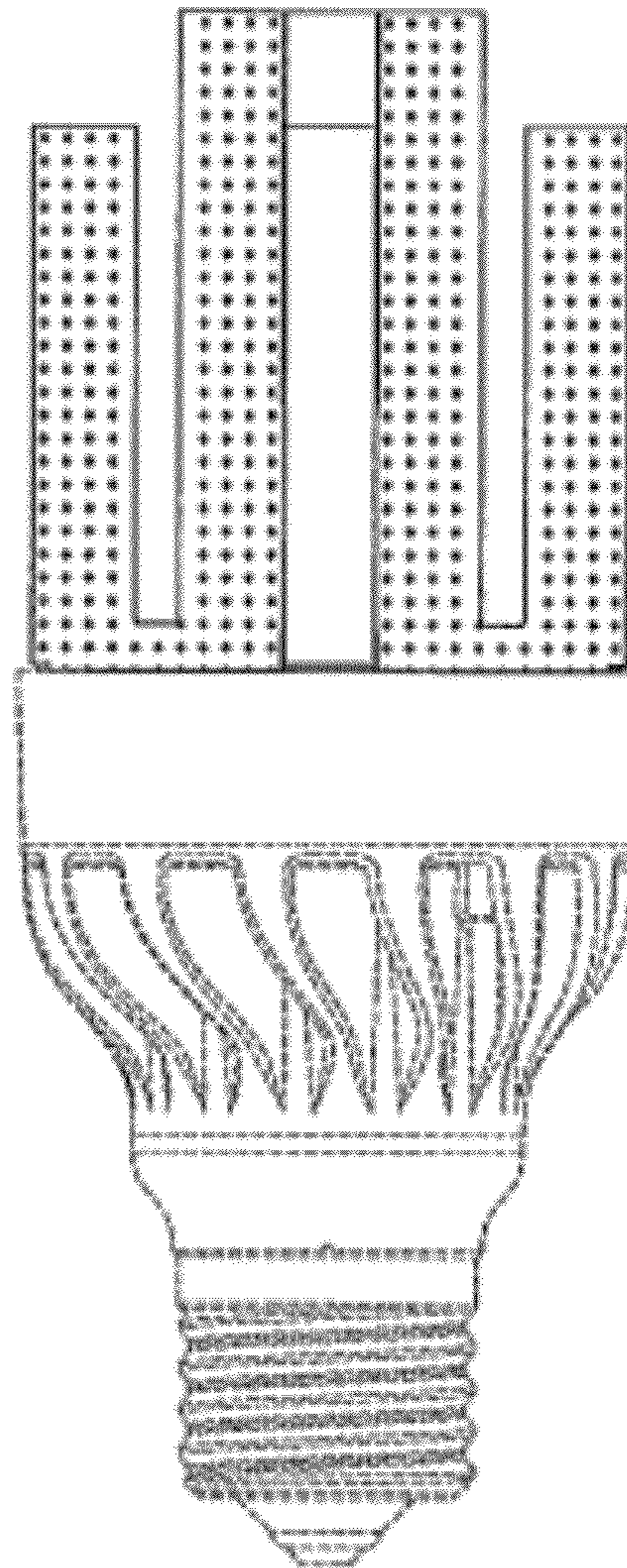


FIGURE 13

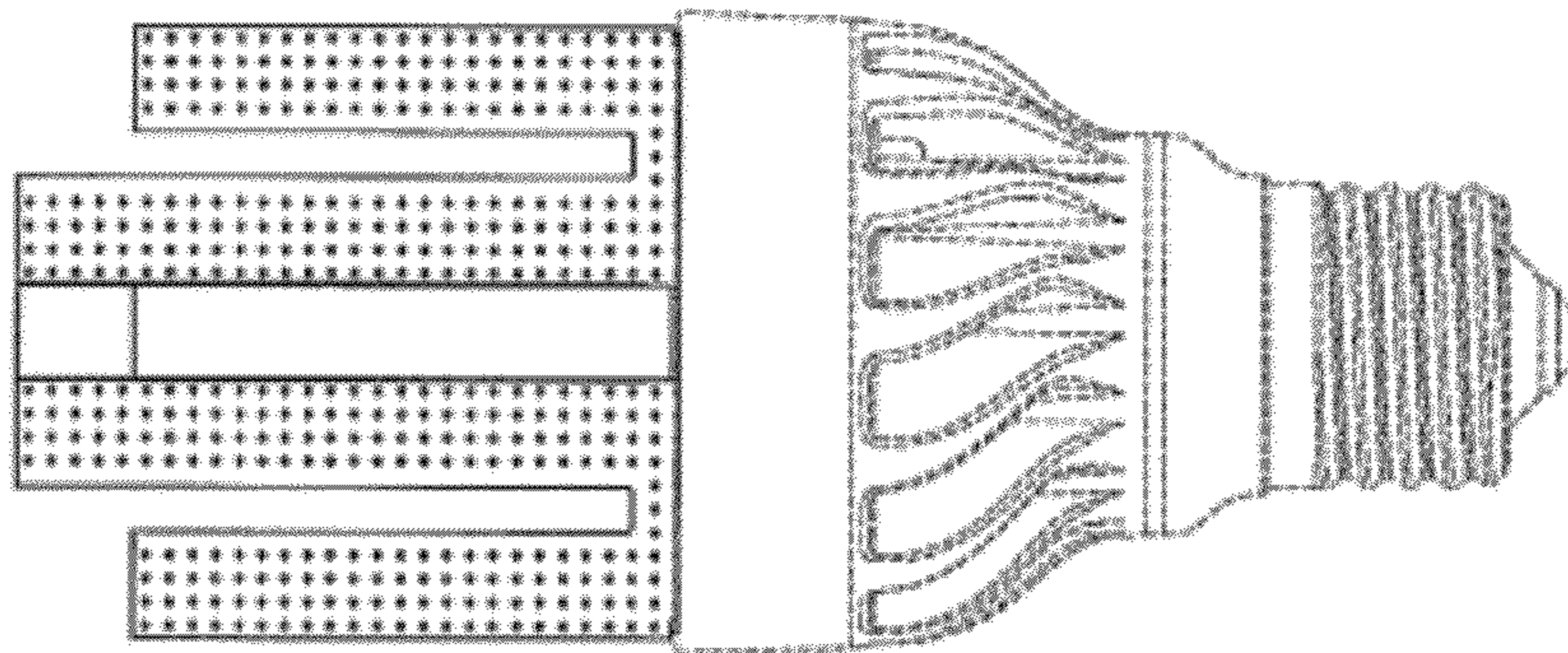


FIGURE 14

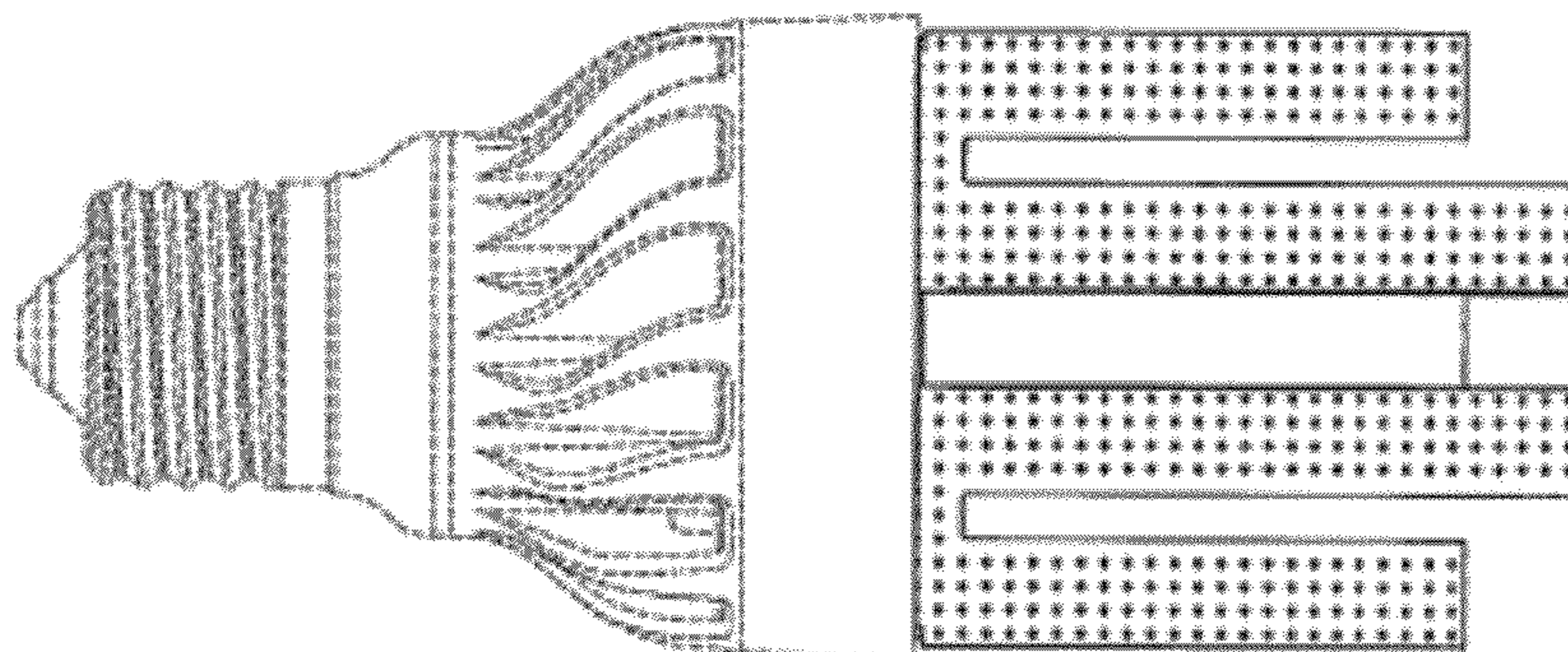


FIGURE 15

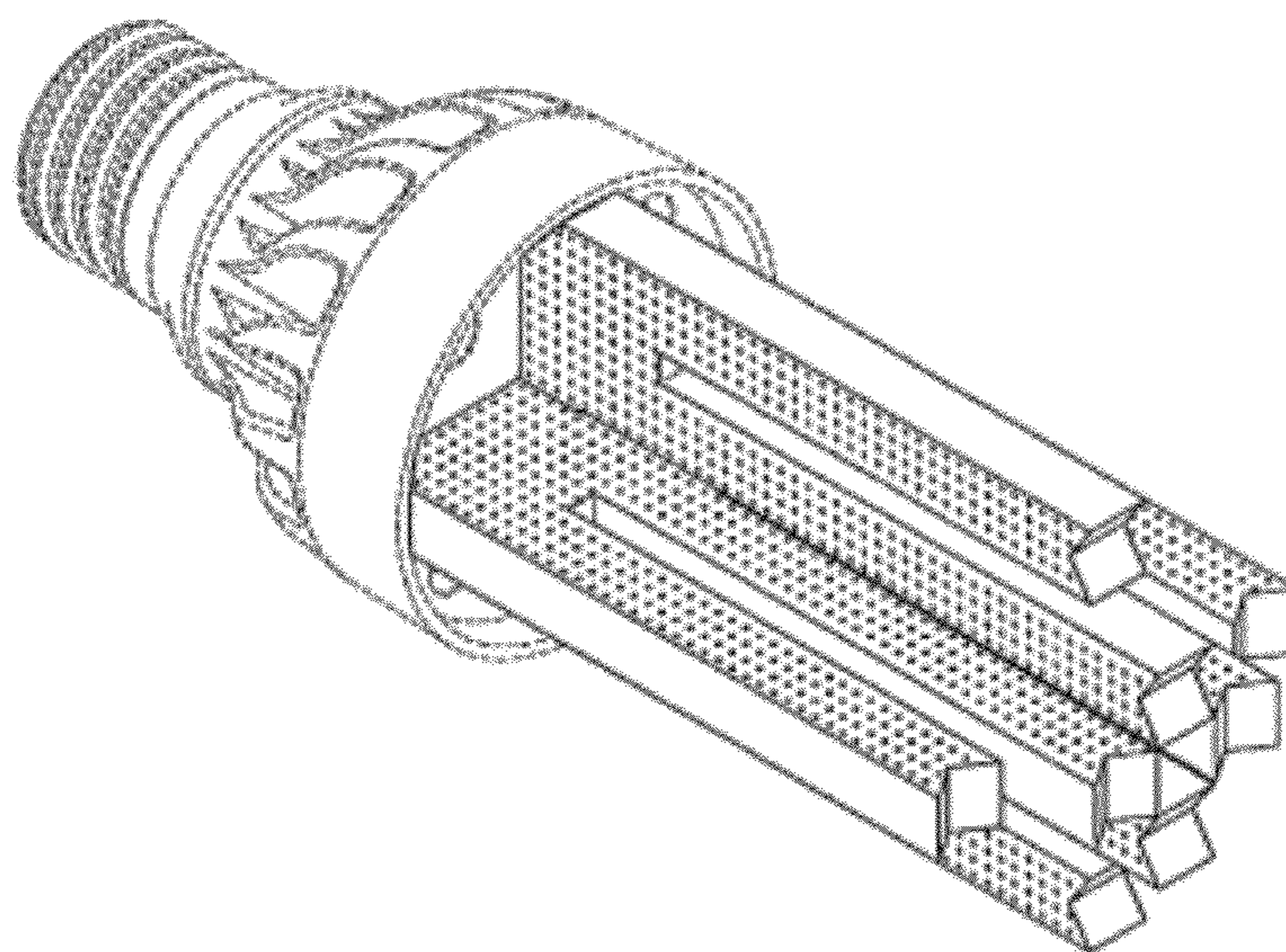


FIGURE 16

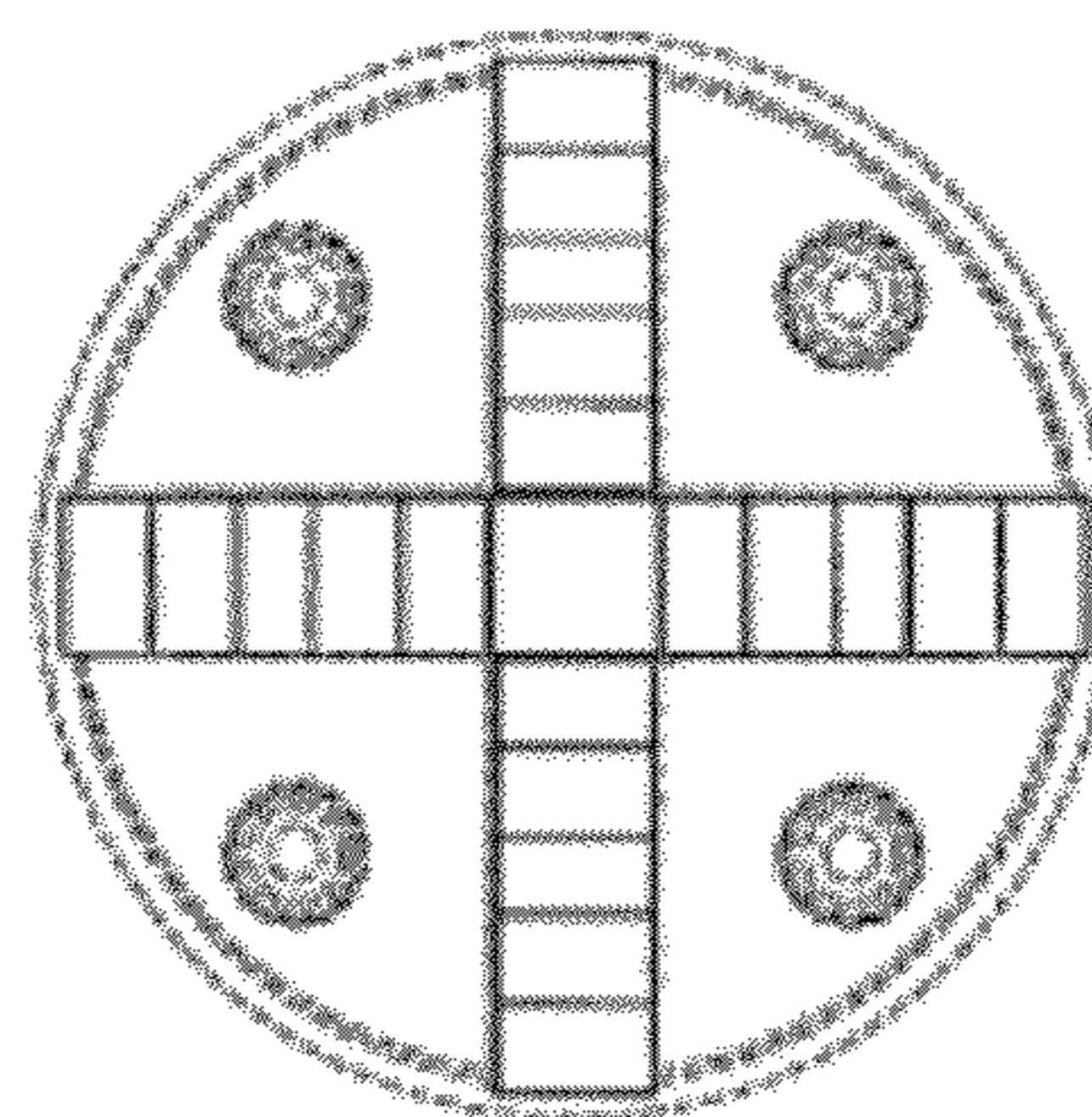


FIGURE 17

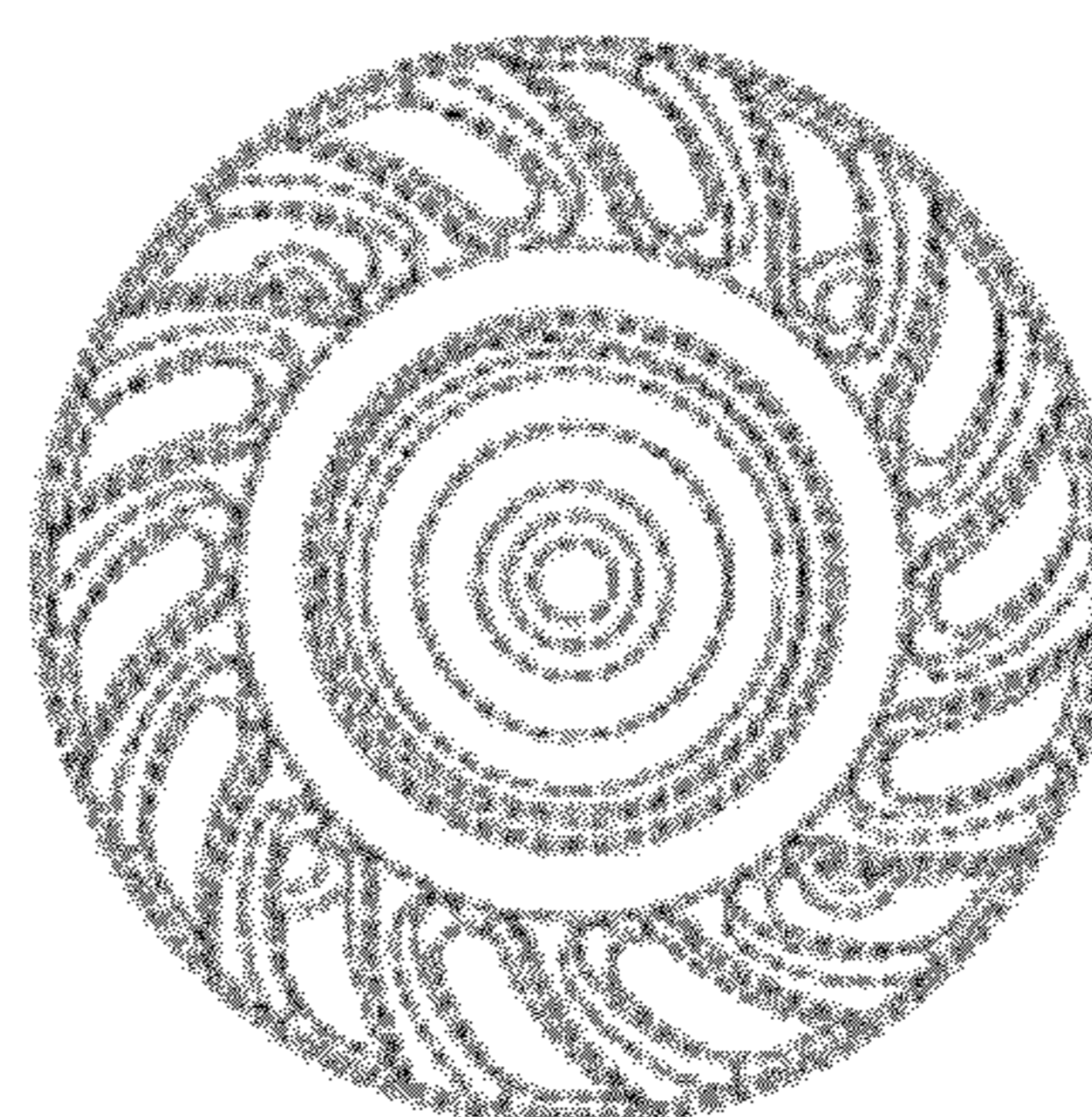


FIGURE 18

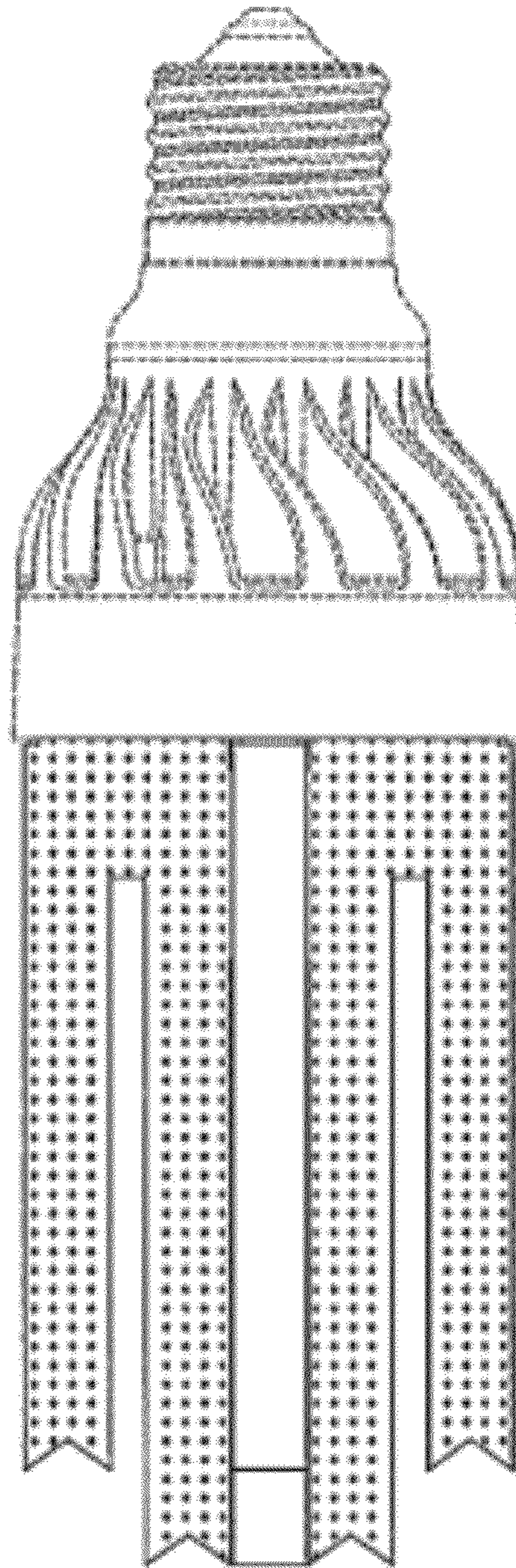


FIGURE 19

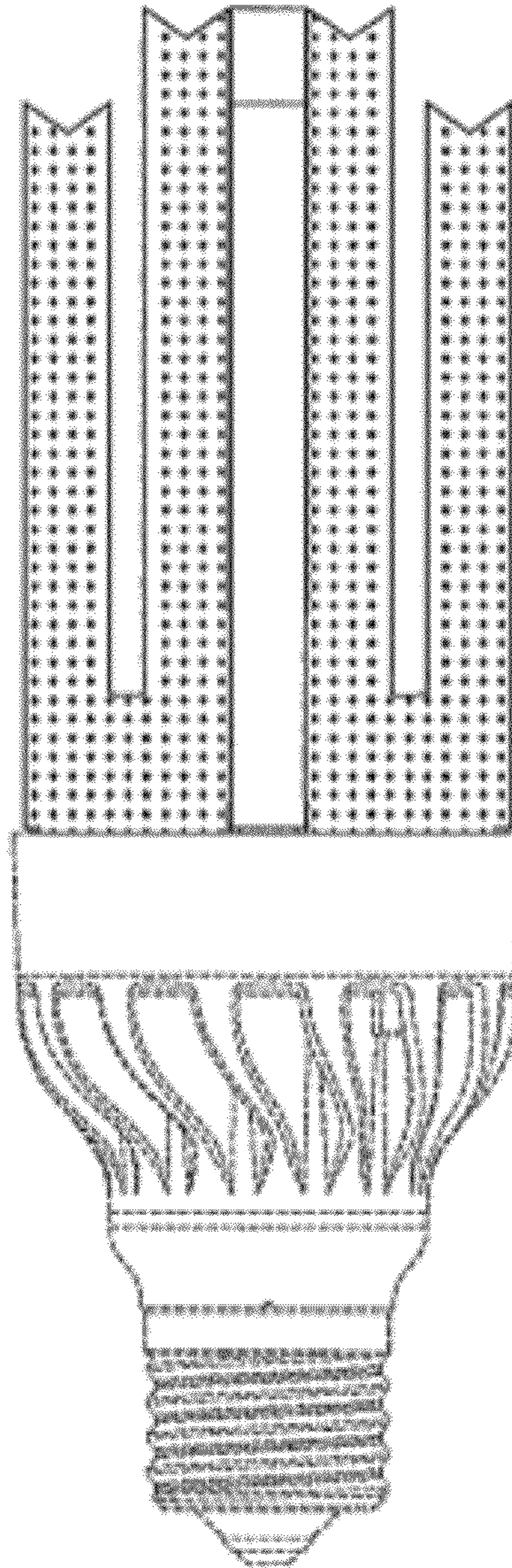


FIGURE 20

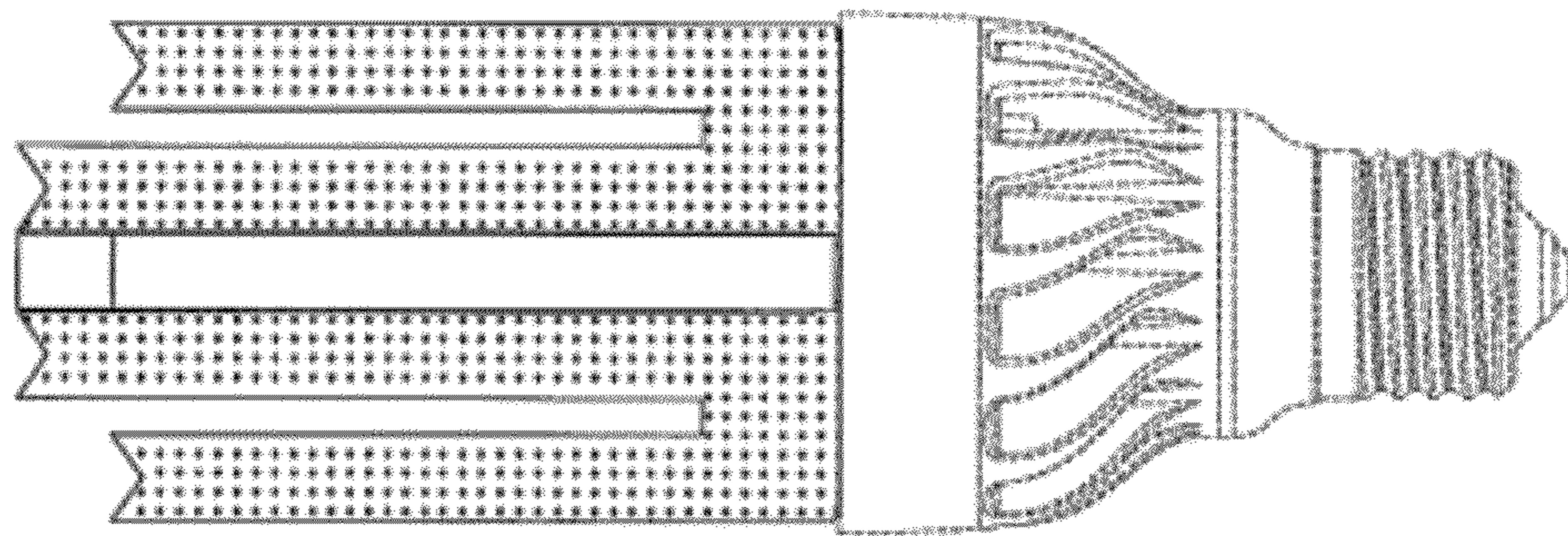


FIGURE 21

