

US00D663442S

(12) **United States Design Patent**  
**Tickner et al.**

(10) **Patent No.:** **US D663,442 S**  
(45) **Date of Patent:** **\*\* Jul. 10, 2012**

(54) **LED LIGHT FIXTURE**

5,857,766 A 1/1999 Sieczkowski  
5,957,573 A 9/1999 Wedekind et al.  
6,082,878 A 7/2000 Doubek et al.  
6,461,016 B1 10/2002 Jamison et al.

(75) Inventors: **Jerold Tickner**, Newman, GA (US);  
**Evans Edward Thompson, III**,  
Fairburn, GA (US); **Scott David**  
**Wegner**, Peachtree City, GA (US)

(Continued)

(73) Assignee: **Cooper Technologies Company**,  
Houston, TX (US)

**OTHER PUBLICATIONS**

U.S. Appl. No. 29/305,946, filed Mar. 31, 2008, entitled "LED Light Fixture".

(\*\*) Term: **14 Years**

(Continued)

(21) Appl. No.: **29/383,895**

*Primary Examiner* — Marcus Jackson

(22) Filed: **Jan. 24, 2011**

(74) *Attorney, Agent, or Firm* — SAIDMAN DesignLaw Group

**Related U.S. Application Data**

(57) **CLAIM**

The ornamental design for an LED light fixture, as shown and described.

(63) Continuation of application No. 29/305,946, filed on Mar. 31, 2008, now Pat. No. Des. 633,649.

**DESCRIPTION**

(51) **LOC (9) Cl.** ..... **26-04**

FIG. 1 is a bottom perspective view of a first embodiment of an LED light fixture showing our new design, comprising an LED module and a reflector;

(52) **U.S. Cl.** ..... **D26/1**

FIG. 2 is a bottom view thereof;

(58) **Field of Classification Search** ..... D26/1-4;

FIG. 3 is a bottom perspective view thereof without the reflector;

D13/180; 257/79-89, 95, 98-100; 362/555,  
362/800; 313/483, 498, 500

See application file for complete search history.

FIG. 4 is an enlarged bottom view of the LED module of the first embodiment;

(56) **References Cited**

**U.S. PATENT DOCUMENTS**

1,821,733 A 9/1931 Thibodeau  
4,321,659 A 3/1982 Wheeler  
4,630,182 A 12/1986 Moroi et al.  
4,644,450 A 2/1987 Caplin et al.  
5,222,800 A 6/1993 Chan et al.  
5,374,812 A 12/1994 Chan et al.  
5,452,816 A 9/1995 Chan et al.  
5,738,436 A 4/1998 Cummings et al.  
5,746,507 A 5/1998 Lee  
5,758,959 A 6/1998 Sieczkowski  
D397,472 S 8/1998 Lecluze  
5,826,970 A 10/1998 Keller et al.

FIG. 5 is a side view thereof, the opposite side being identical;

FIG. 6 is a bottom view of a second embodiment of an LED light fixture, comprising an LED module and a reflector;

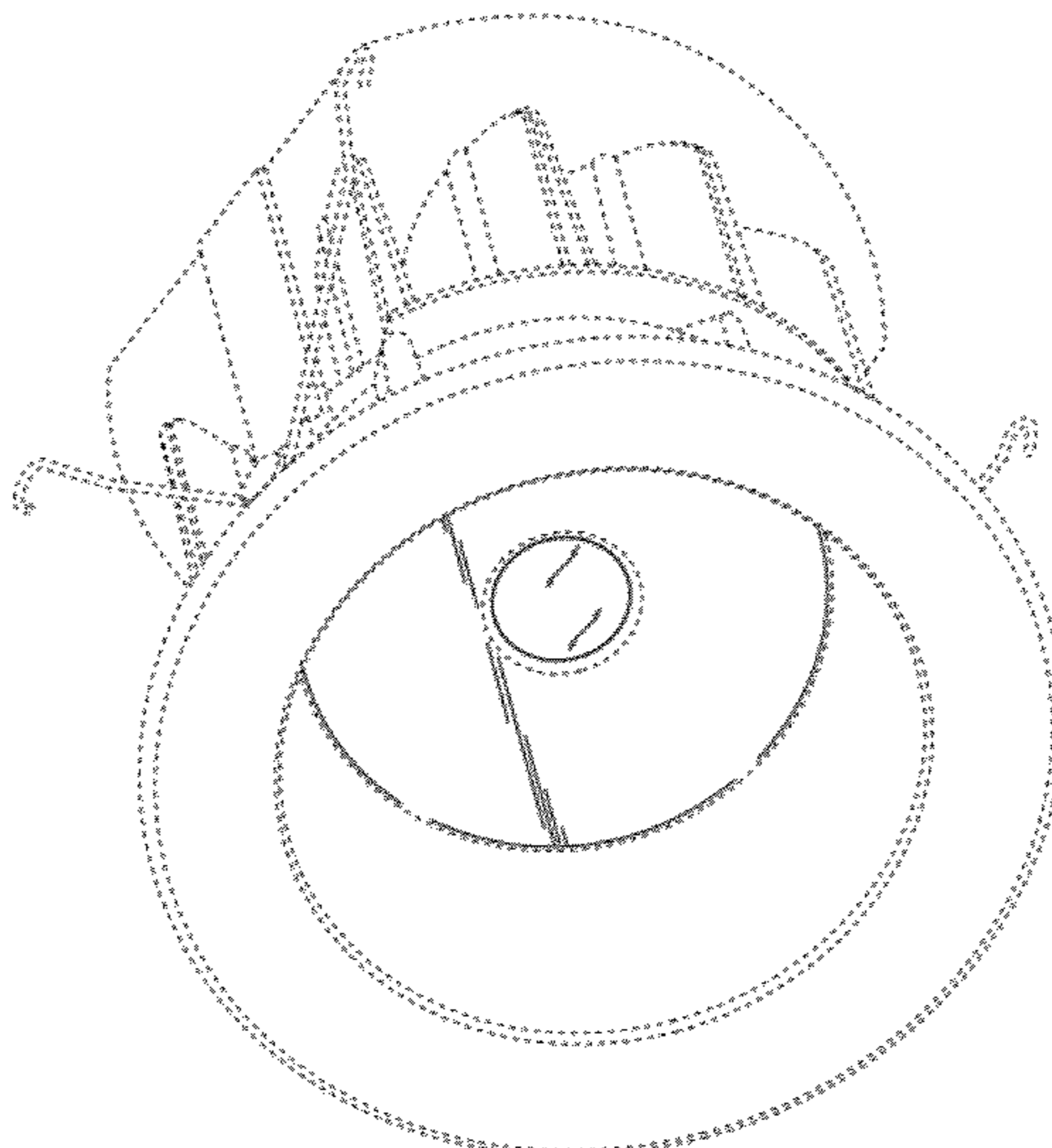
FIG. 7 is a bottom perspective view thereof without the reflector;

FIG. 8 is an enlarged bottom view of the LED module of the second embodiment; and,

FIG. 9 is a side view thereof, the opposite side being identical.

The broken lines are for the purpose of illustrating portions of the LED light fixture and form no part of the claimed design.

**1 Claim, 6 Drawing Sheets**



# US D663,442 S

Page 2

## U.S. PATENT DOCUMENTS

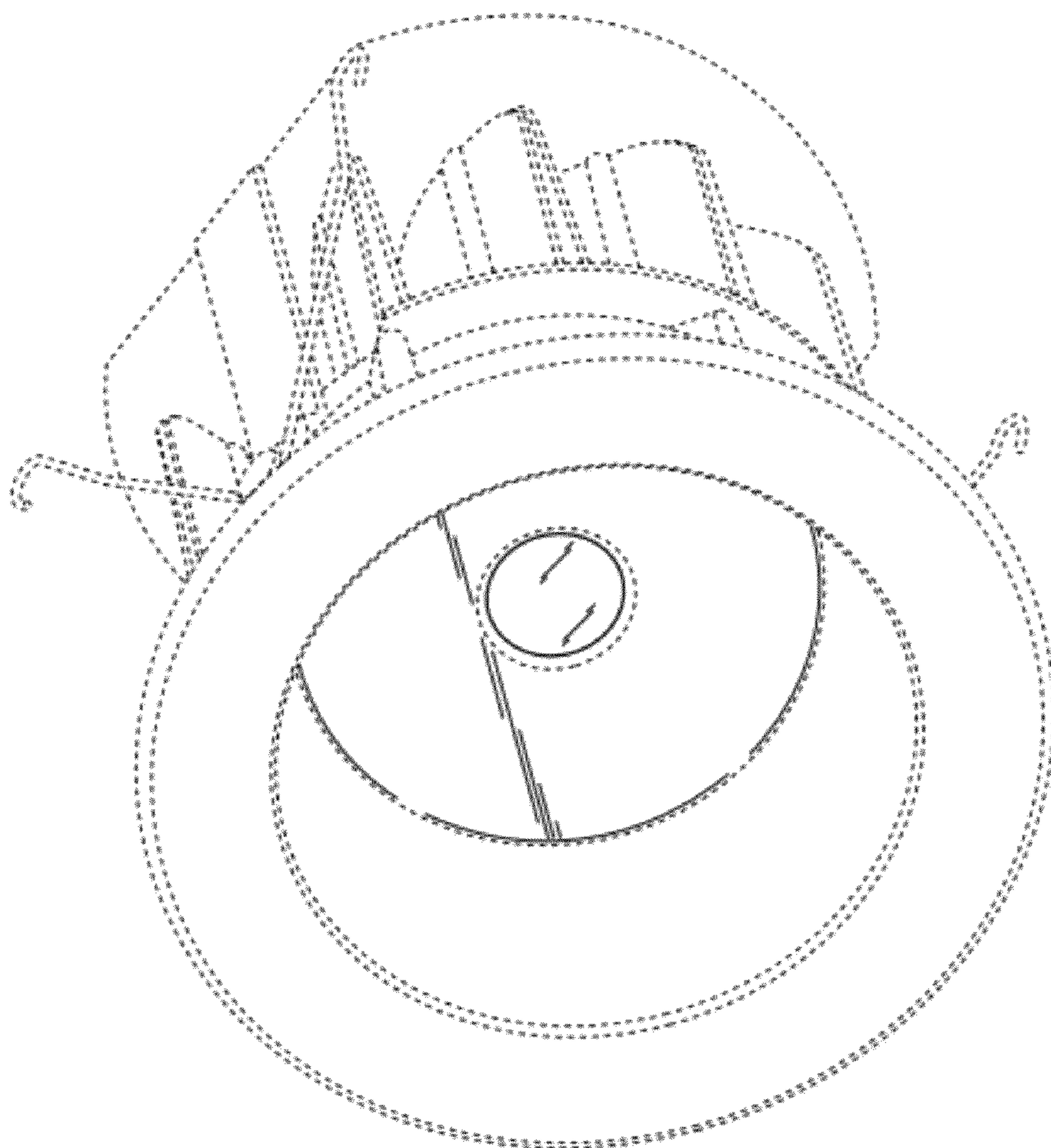
D476,108 S 6/2003 Lecluze  
6,822,269 B2 11/2004 Horiuchi et al.  
7,011,430 B2 3/2006 Chen  
7,025,477 B2 4/2006 Blessing et al.  
7,030,423 B2 4/2006 Chang et al.  
7,083,305 B2 8/2006 Galli  
7,144,135 B2 12/2006 Martin et al.  
D546,762 S 7/2007 Kovacs  
7,303,301 B2 12/2007 Koren et al.  
7,350,942 B2 4/2008 Chen et al.  
7,470,921 B2 12/2008 Custer  
D618,637 S \* 6/2010 Liu et al. .... D13/180  
D619,976 S \* 7/2010 Liu et al. .... D13/180  
D622,678 S \* 8/2010 Hsieh ..... D13/180  
2004/0190305 A1 9/2004 Arik et al.  
2004/0257818 A1 12/2004 Benghozi  
2005/0154075 A1 7/2005 Siegel  
2005/0231983 A1 10/2005 Dahm  
2005/0237746 A1 10/2005 Yiu

2006/0268548 A1 11/2006 Chang  
2007/0132092 A1 6/2007 Hu et al.  
2007/0279900 A1 12/2007 Bauer et al.  
2008/0080189 A1 4/2008 Wang  
2008/0112171 A1 5/2008 Patti et al.  
2009/0073688 A1 3/2009 Patrick  
2009/0073689 A1 3/2009 Patrick  
2009/0080189 A1 3/2009 Wegner  
2009/0086476 A1 4/2009 Tickner et al.  
2009/0086481 A1 4/2009 Wegner  
2009/0129086 A1 5/2009 Thompson, III  
2009/0154166 A1 6/2009 Zhang et al.  
2009/0262530 A1 10/2009 Tickner et al.

## OTHER PUBLICATIONS

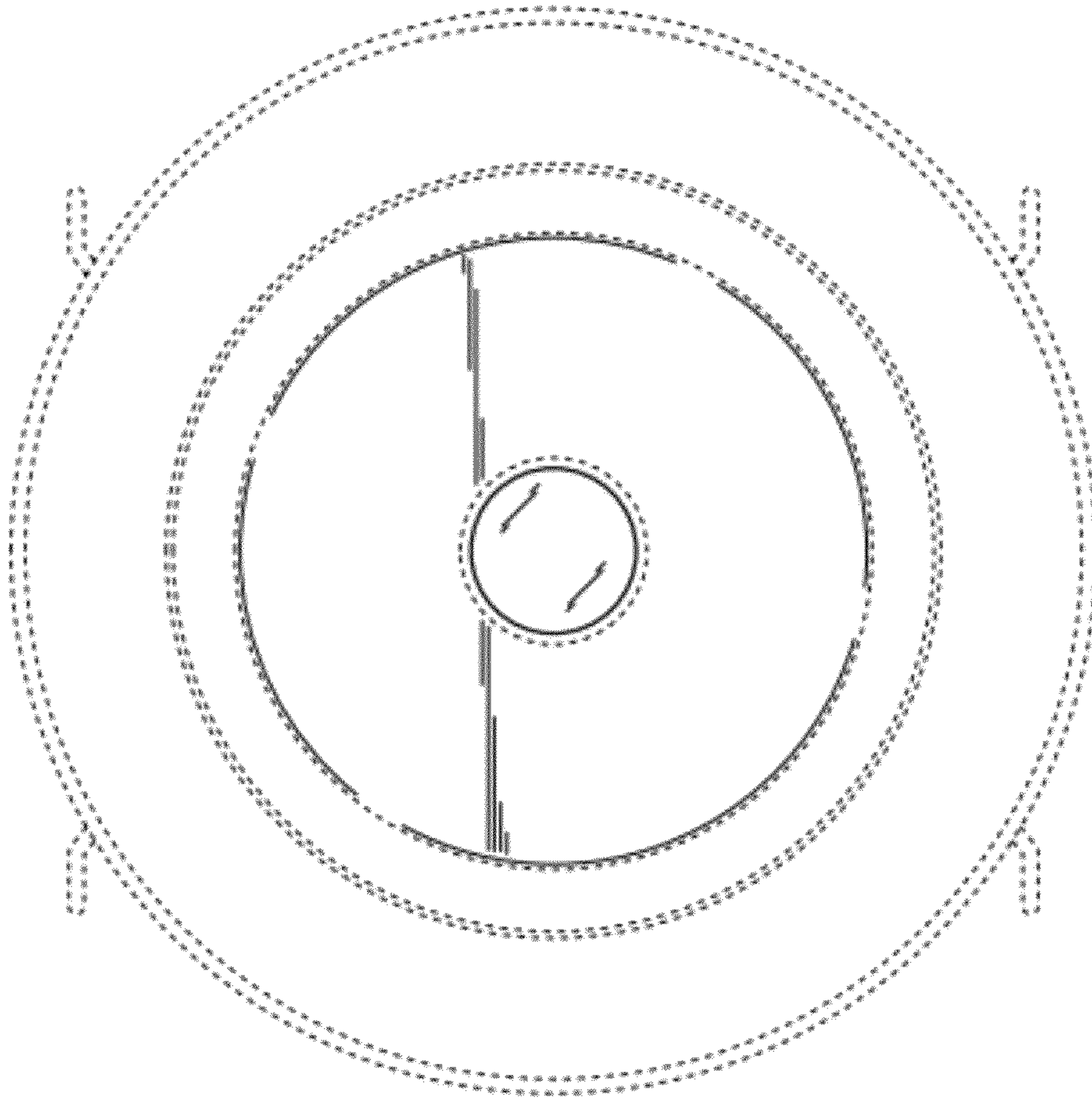
Notice of Allowance in U.S. Appl. No. 29/305,946, mailing date Oct. 27, 2010.

\* cited by examiner

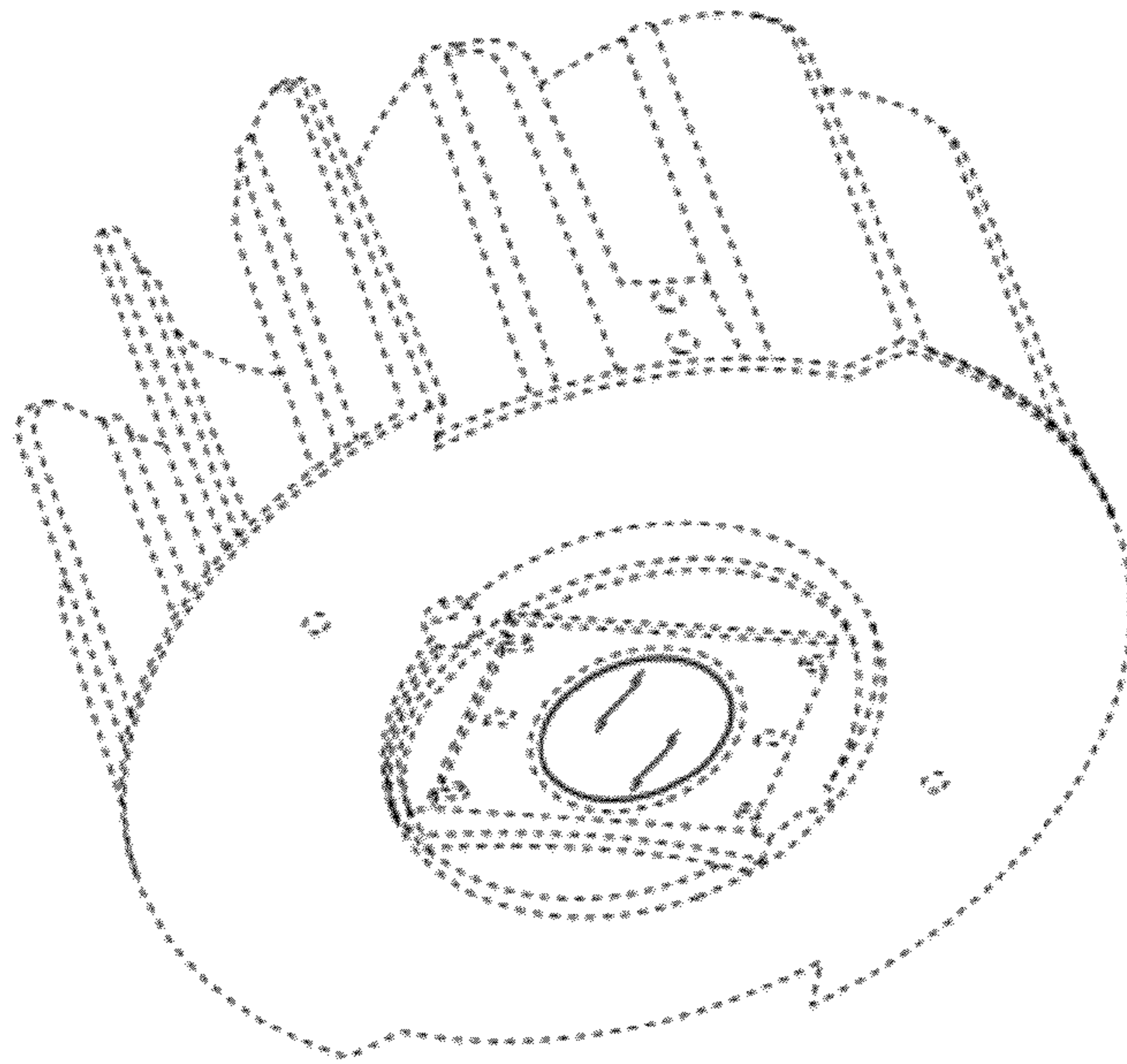


**Fig. 1**

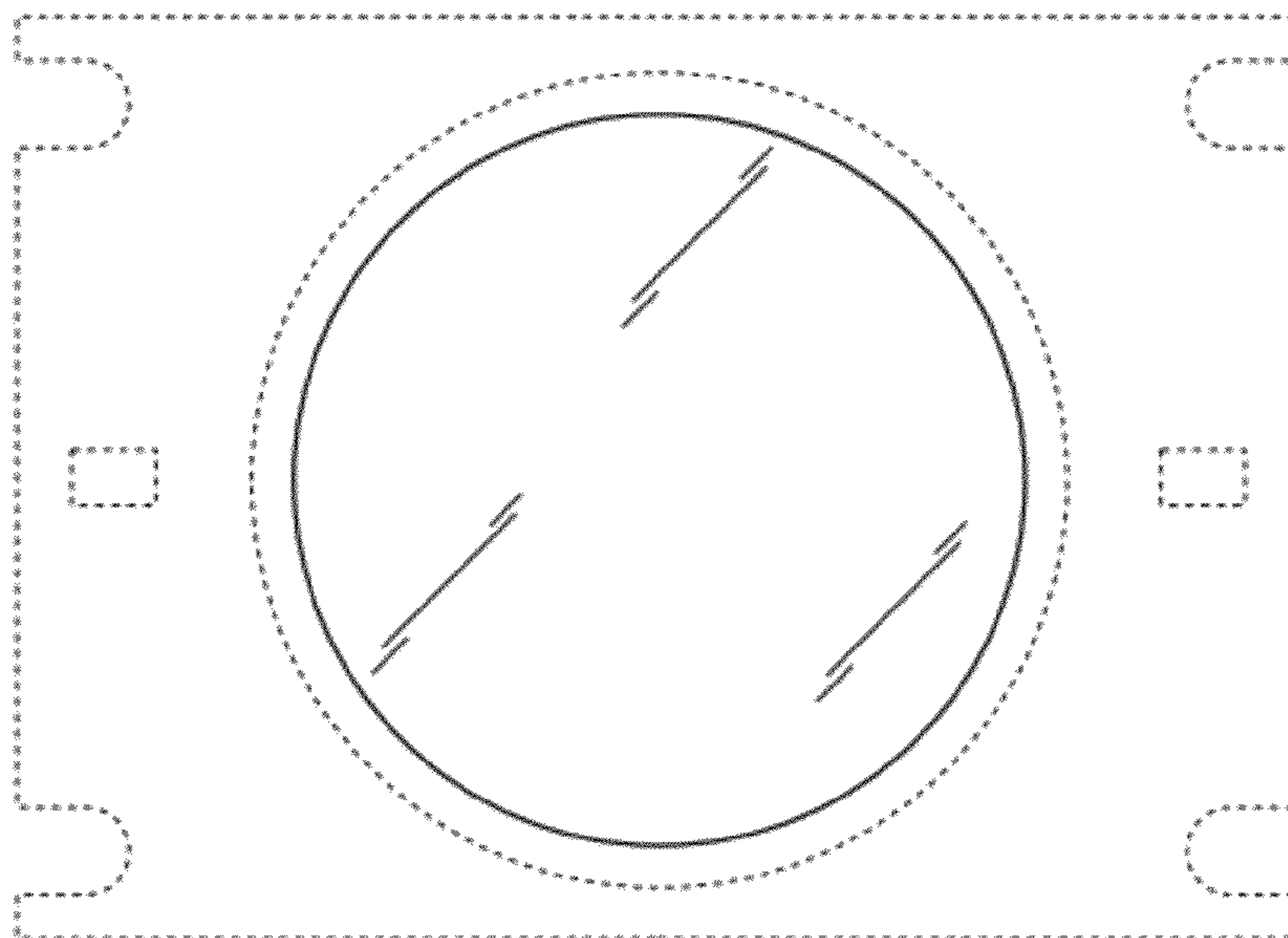




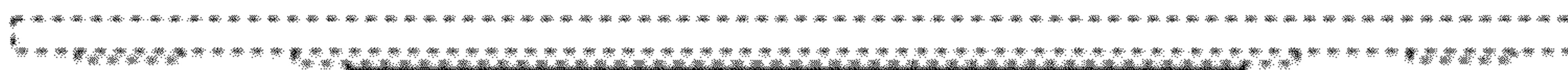
**Fig. 2**



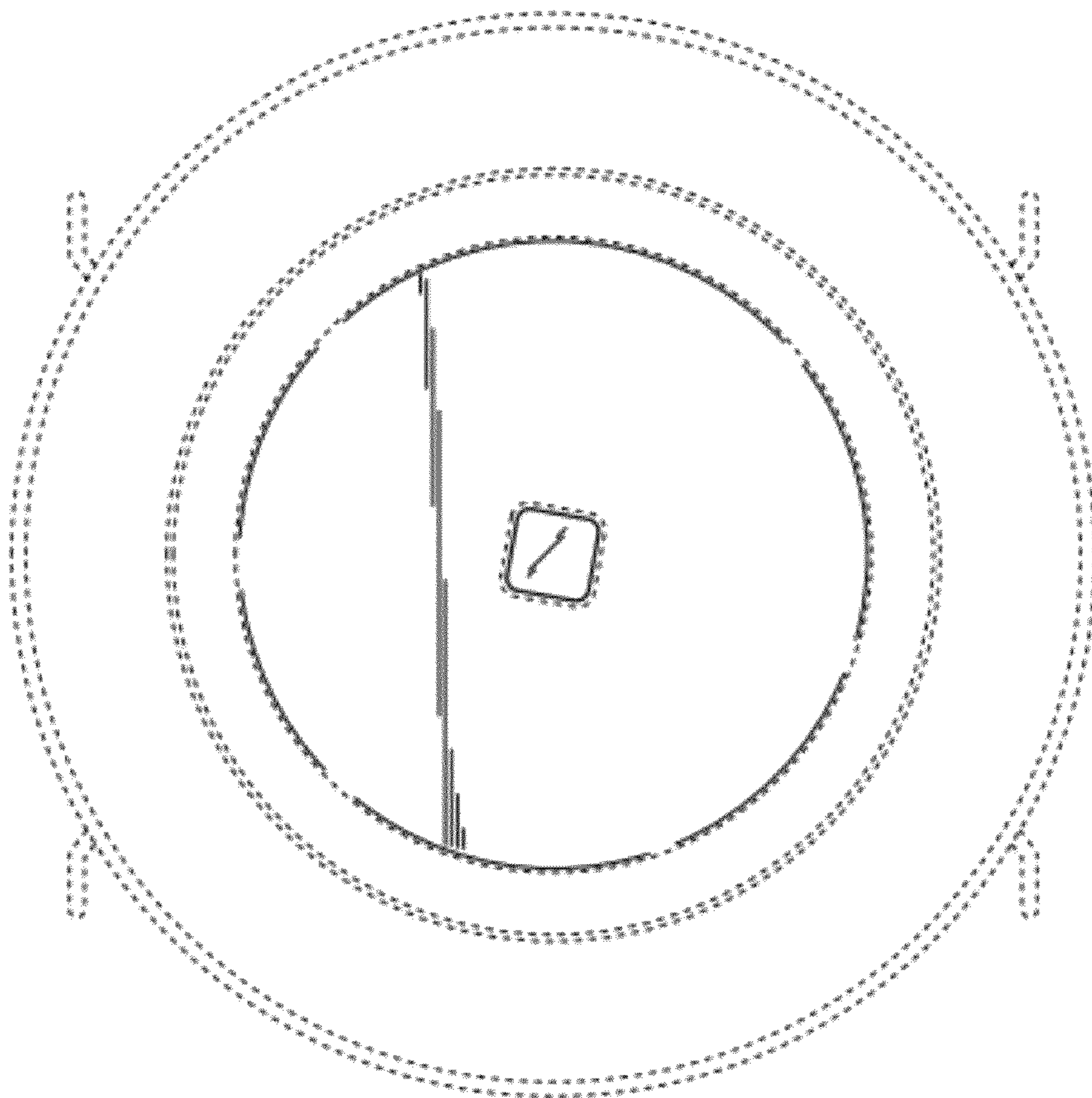
**Fig. 3**



**Fig. 4**

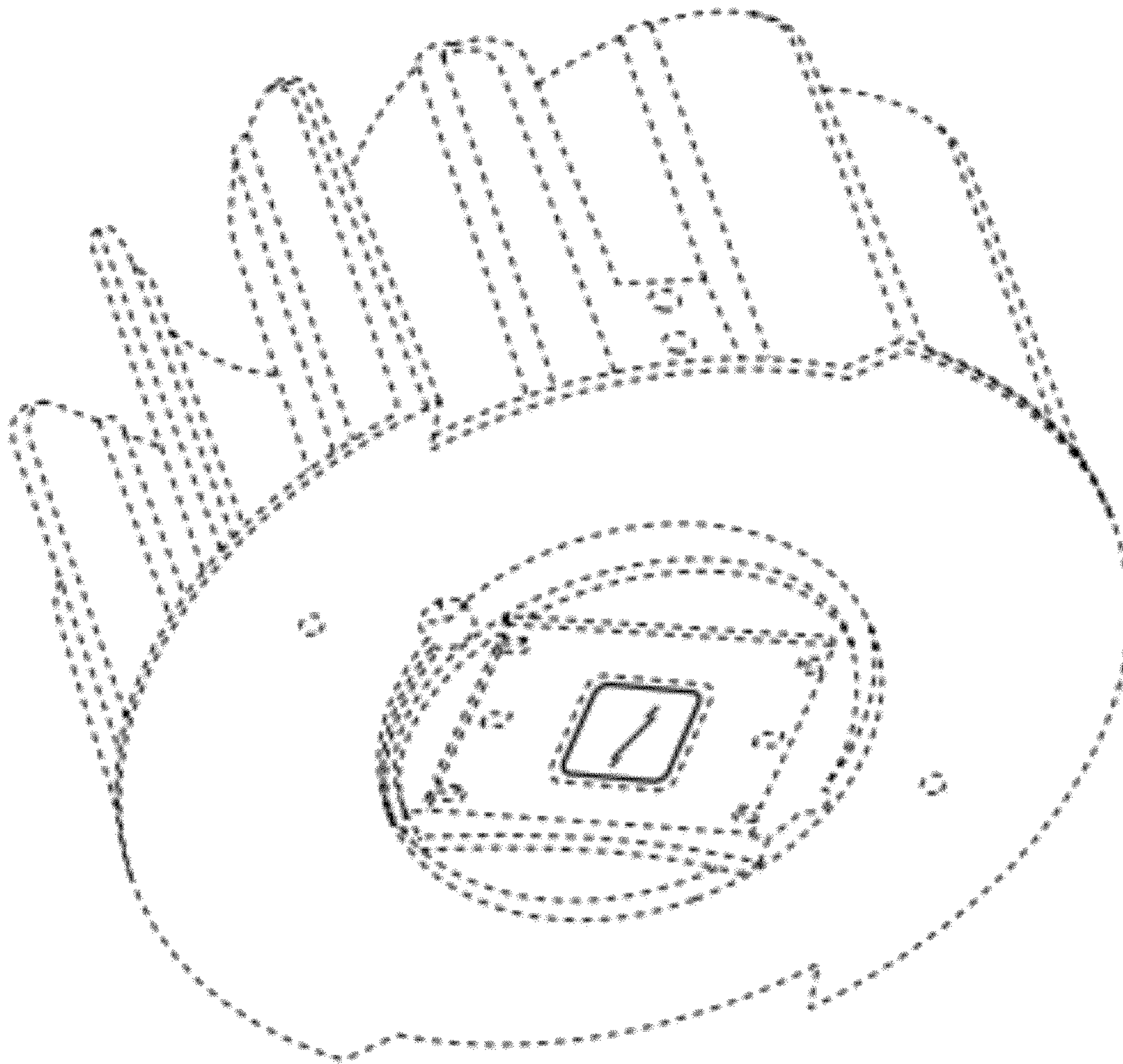


**Fig. 5**

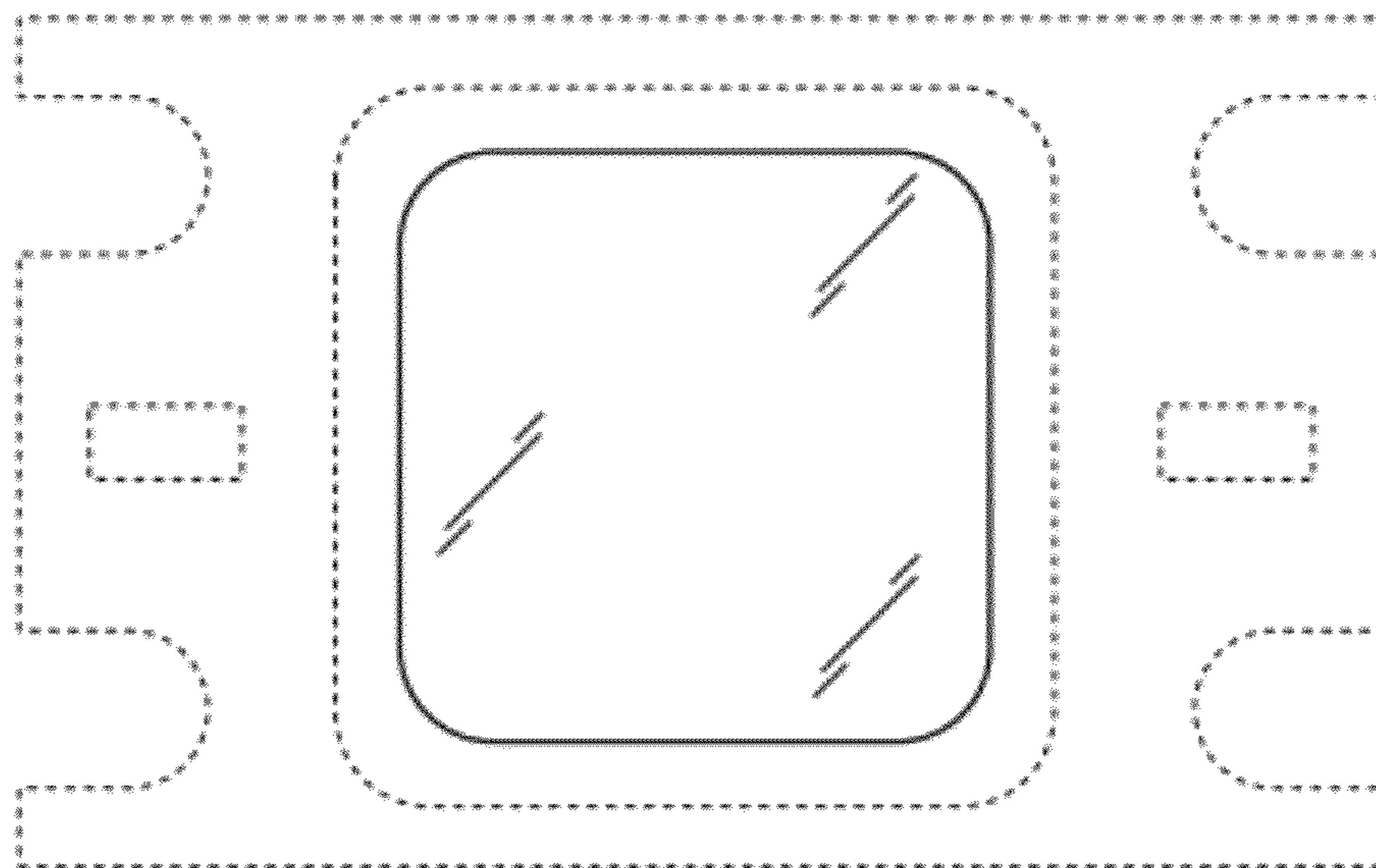


**Fig. 6**

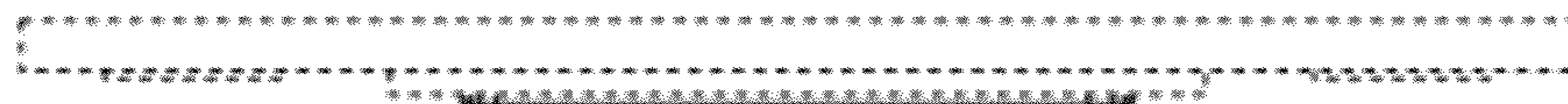




**Fig. 7**



**Fig. 8**



**Fig. 9**