

US00D663440S

(12) **United States Design Patent**
Choi et al.

(10) **Patent No.:** **US D663,440 S**
(45) **Date of Patent:** **** Jul. 10, 2012**

(54) **UTILITY PYLON**

(75) Inventors: **Jin Choi**, Brookline, MA (US); **Thomas Adam Shine**, Brookline, MA (US)

(73) Assignee: **Choi and Shine Architects, LLC**, Brookline, MA (US)

(**) Term: **14 Years**

(21) Appl. No.: **29/388,974**

(22) Filed: **Apr. 5, 2011**

(51) **LOC (9) Cl.** **25-01**

(52) **U.S. Cl.** **D25/126**

(58) **Field of Classification Search** D25/126;
174/45 R, 45 TD, 40 R; 52/632, 831, 651.02
See application file for complete search history.

(56) **References Cited**

U.S. PATENT DOCUMENTS

4,314,434	A *	2/1982	Meisberger	52/651.02
6,578,339	B1 *	6/2003	McGinnis	52/651.01
D541,956	S *	5/2007	Paharik et al.	D25/126
7,732,708	B1 *	6/2010	Peabody	174/40 R
2001/0013212	A1 *	8/2001	Jimenez Sanchez et al.	52/736.1

OTHER PUBLICATIONS

One (1) page U.K. Design Registration No. 4007258 that was filed on Apr. 23, 2008 and Registered on Nov. 19, 2008.

Five (5) pages of submission for a Pylon Competition that occurred in 2008.

One (1) page of published Pylon Competition Materials that was published in 2008.

* cited by examiner

Primary Examiner — Doris Clark

(74) *Attorney, Agent, or Firm* — Tarolli, Sundheim, Covell & Tummino LLP

(57) **CLAIM**

The ornamental design for a utility pylon, as shown and described.

DESCRIPTION

FIG. 1 is a perspective elevation view of a utility pylon;

FIG. 2 is a front elevation view thereof;

FIG. 3 is a rear elevation view thereof;

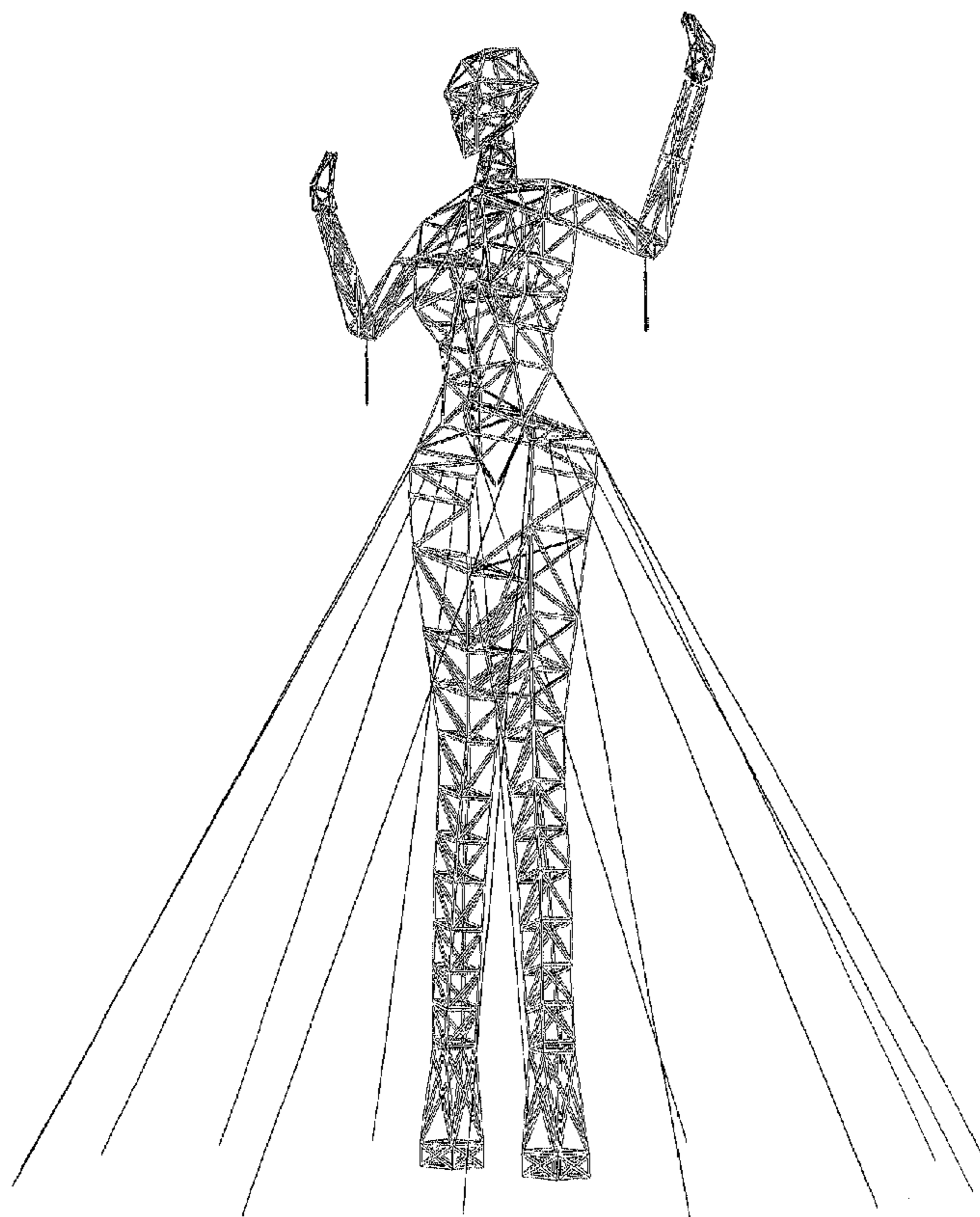
FIG. 4 is a first side elevation view thereof;

FIG. 5 is a second side elevation view thereof;

FIG. 6 is a top plan view thereof; and,

FIG. 7 is a bottom plan view thereof.

1 Claim, 7 Drawing Sheets



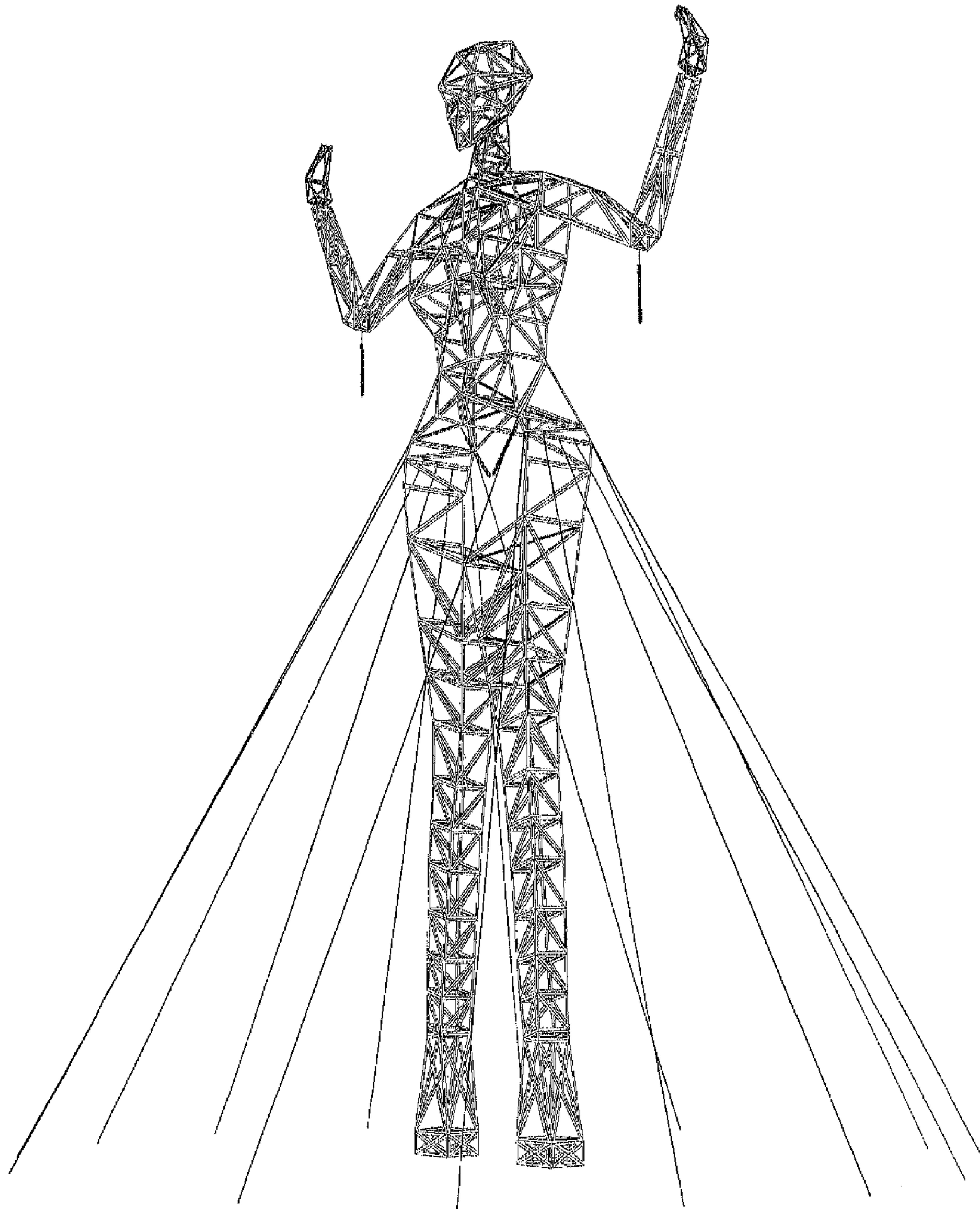


FIG. 1

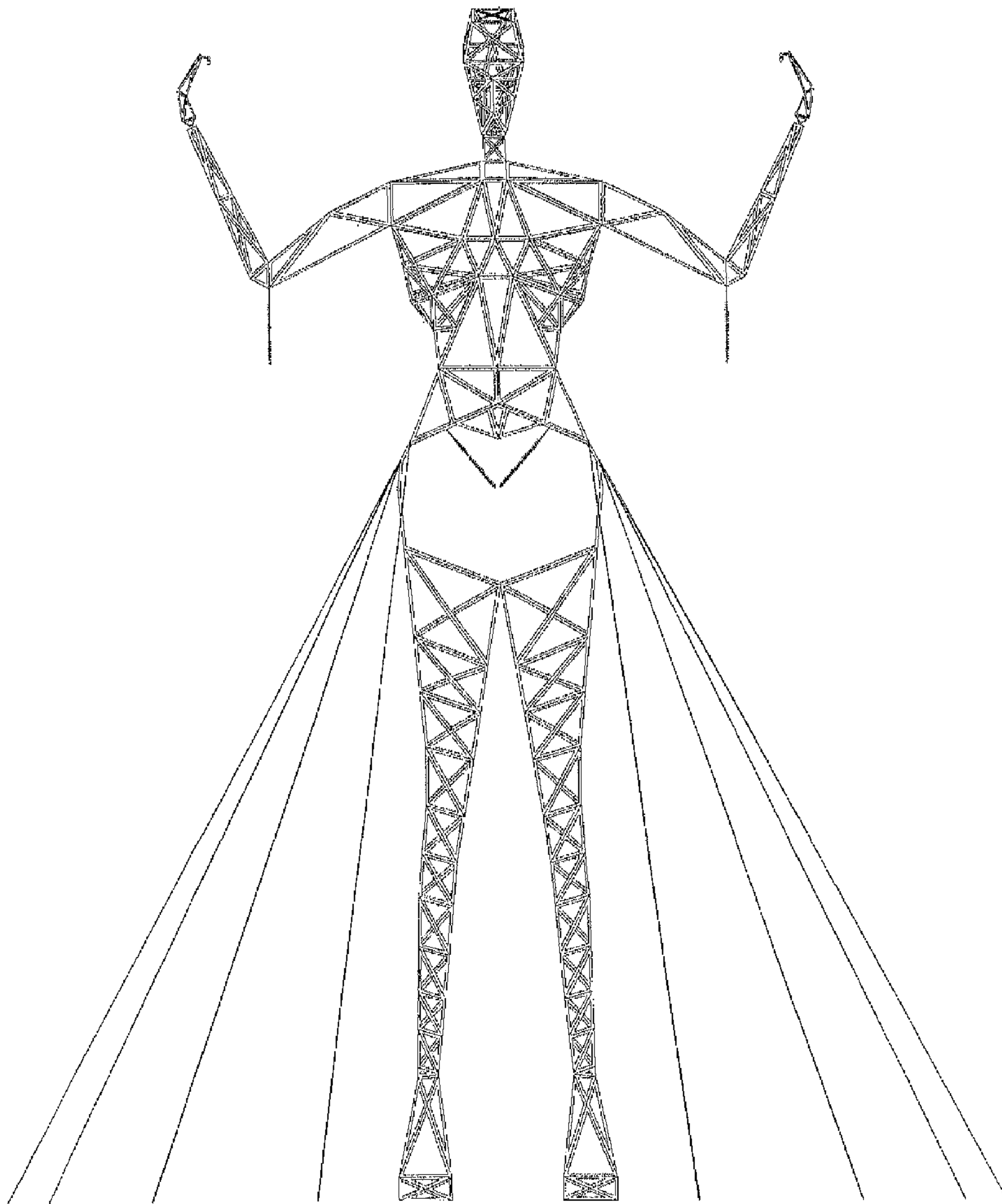


FIG. 2

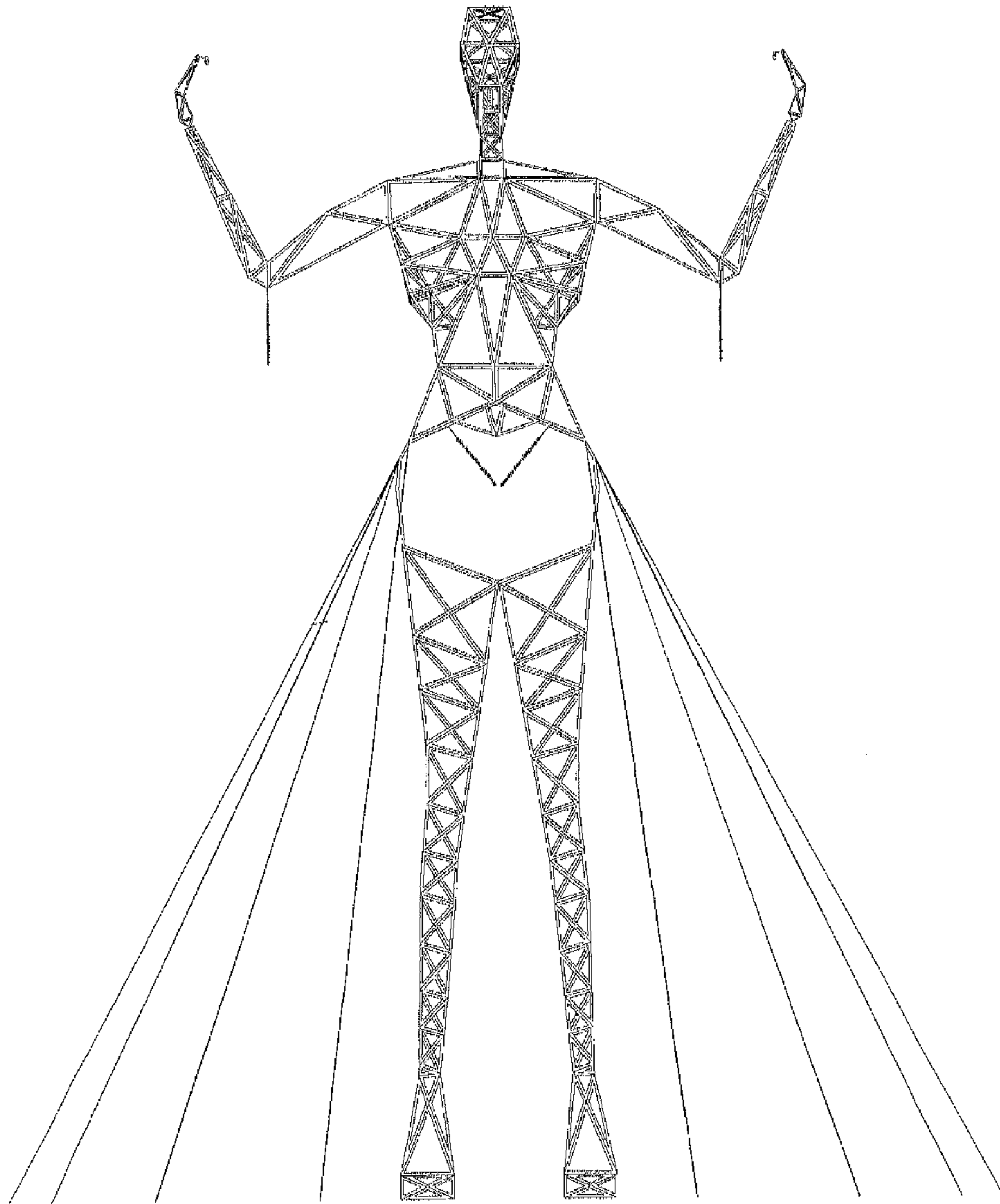


FIG. 3

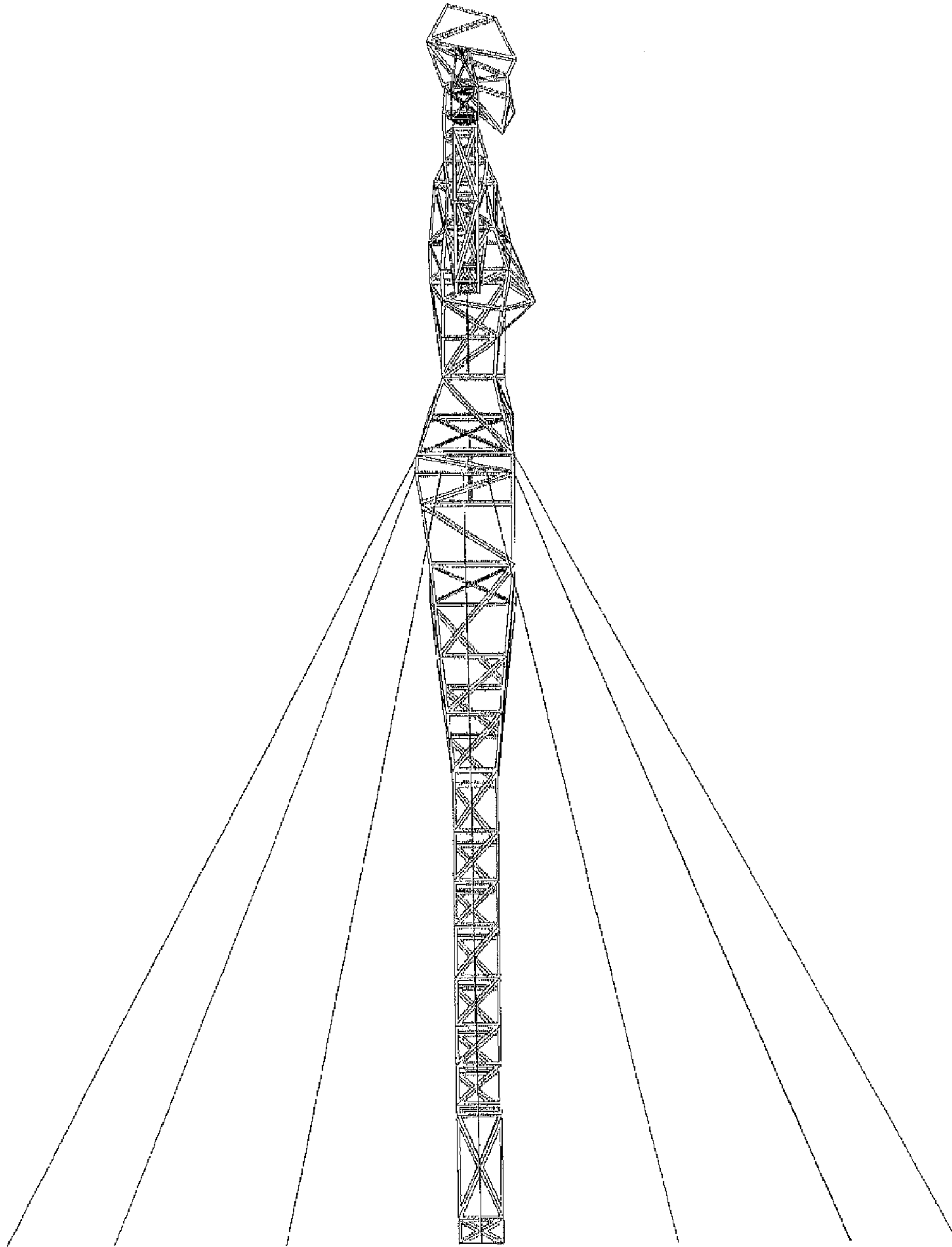


FIG. 4

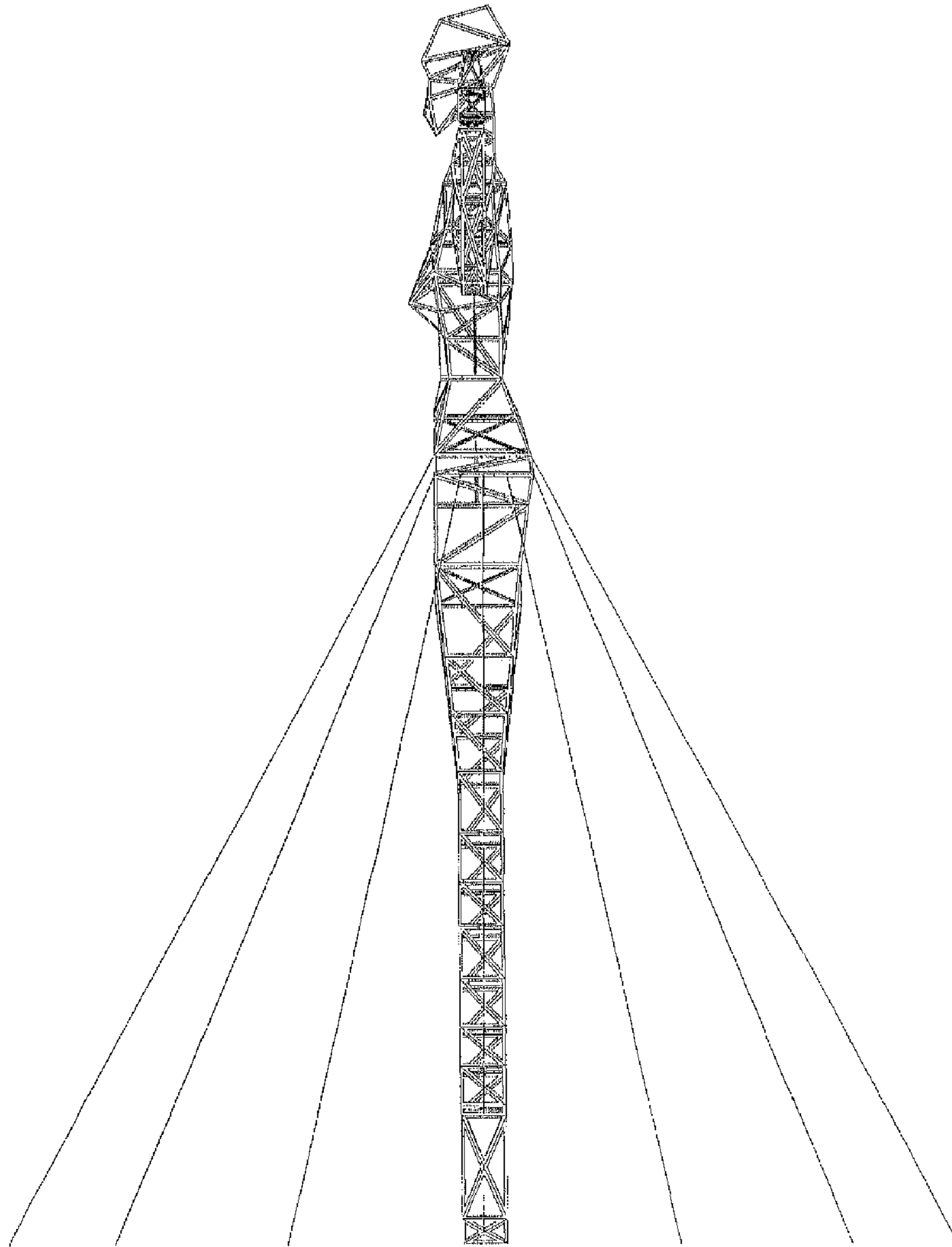


FIG. 5

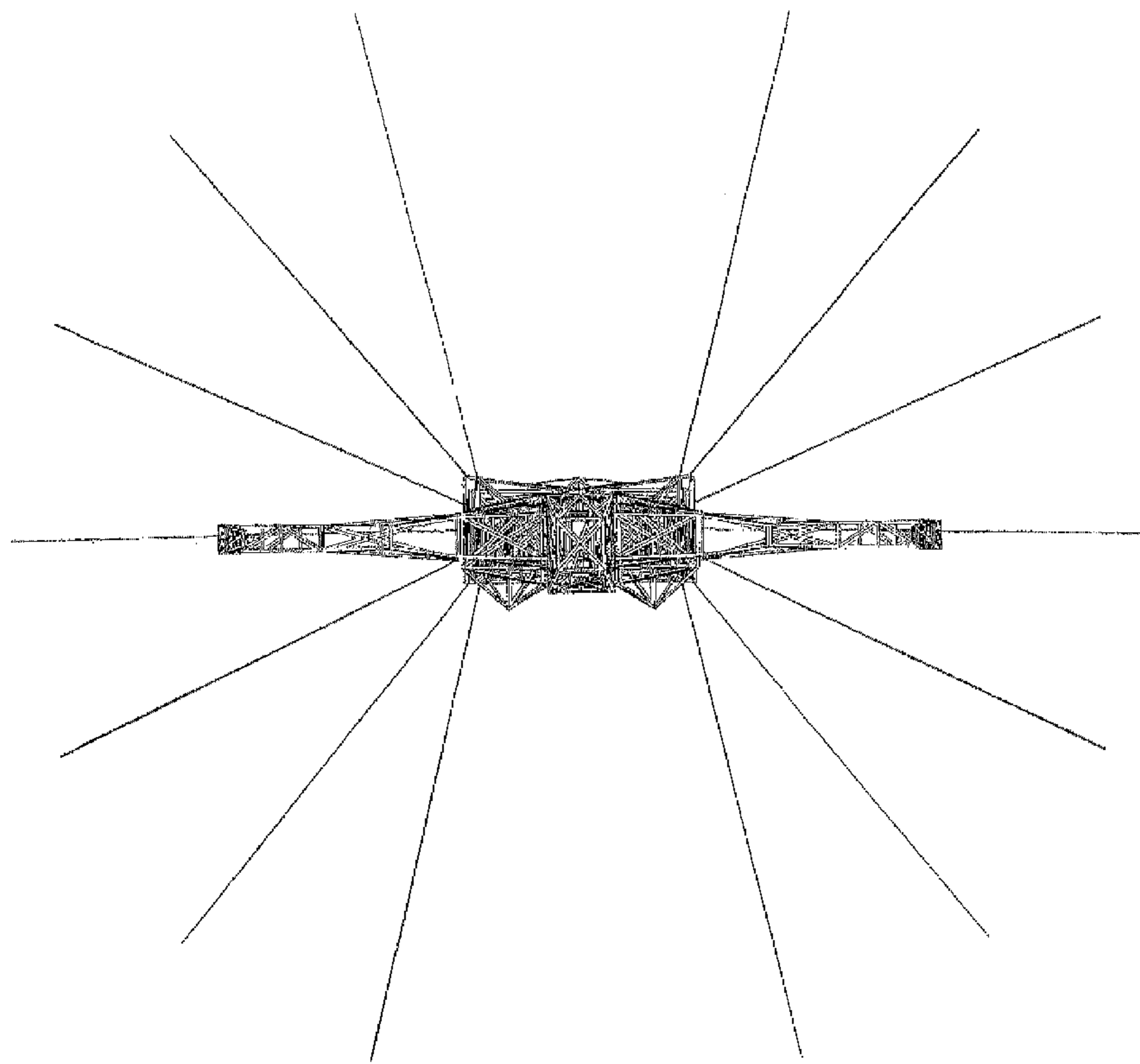


FIG. 6

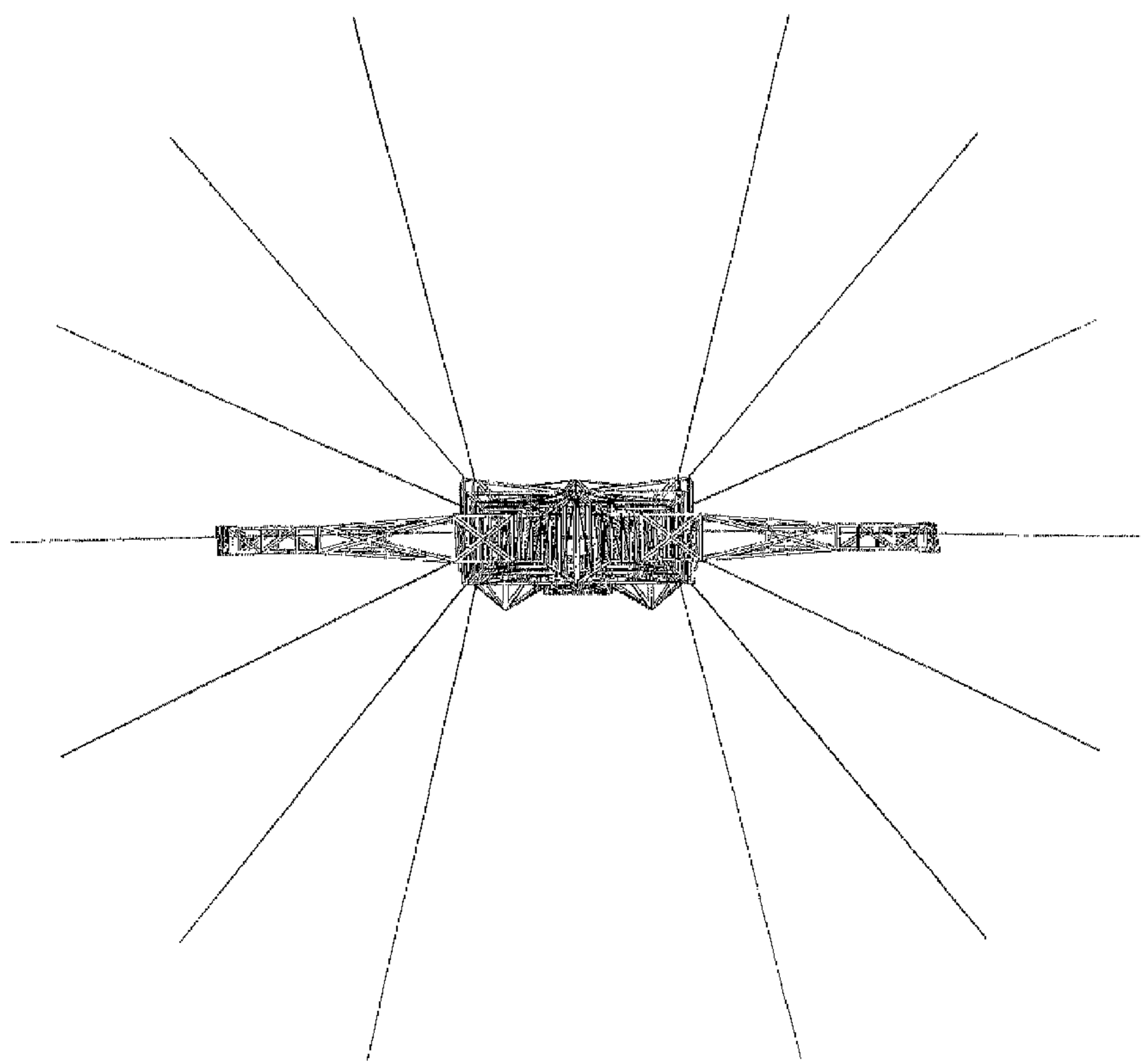


FIG. 7