



US00D663439S

(12) **United States Design Patent**  
**Edwards**

(10) **Patent No.:** **US D663,439 S**

(45) **Date of Patent:** **\*\* Jul. 10, 2012**

(54) **INTERLOCKING BRICK**

(76) Inventor: **Douglas Edwards**, Gainesville, TX (US)

(\*\*) Term: **14 Years**

(21) Appl. No.: **29/349,271**

(22) Filed: **Mar. 22, 2010**

(51) **LOC (9) Cl.** ..... **25-01**

(52) **U.S. Cl.** ..... **D25/113**

(58) **Field of Classification Search** ..... D25/102-118,  
D25/136, 138, 140, 151, 152, 153, 156-162,  
D25/164; D21/484-491, 499-504; 405/16,  
405/284, 286; 52/503-505, 574, 575, 596-612,  
52/102, 314-316, 386, 539, 745.19; 404/27-42;  
47/33; D8/1

See application file for complete search history.

(56) **References Cited**

**U.S. PATENT DOCUMENTS**

D278,935 S \* 5/1985 Scheiwiller ..... D25/118  
4,896,472 A \* 1/1990 Hunt ..... 52/592.6

D317,208 S \* 5/1991 Scheiwiller ..... D25/113  
D431,305 S \* 9/2000 Barth et al. .... D25/113  
D547,882 S \* 7/2007 Metten ..... D25/113  
D582,057 S \* 12/2008 Plies ..... D25/113  
D634,859 S \* 3/2011 Barkman ..... D25/113  
2008/0060313 A1\* 3/2008 Edwards ..... 52/606

\* cited by examiner

*Primary Examiner* — Anhdao Doan

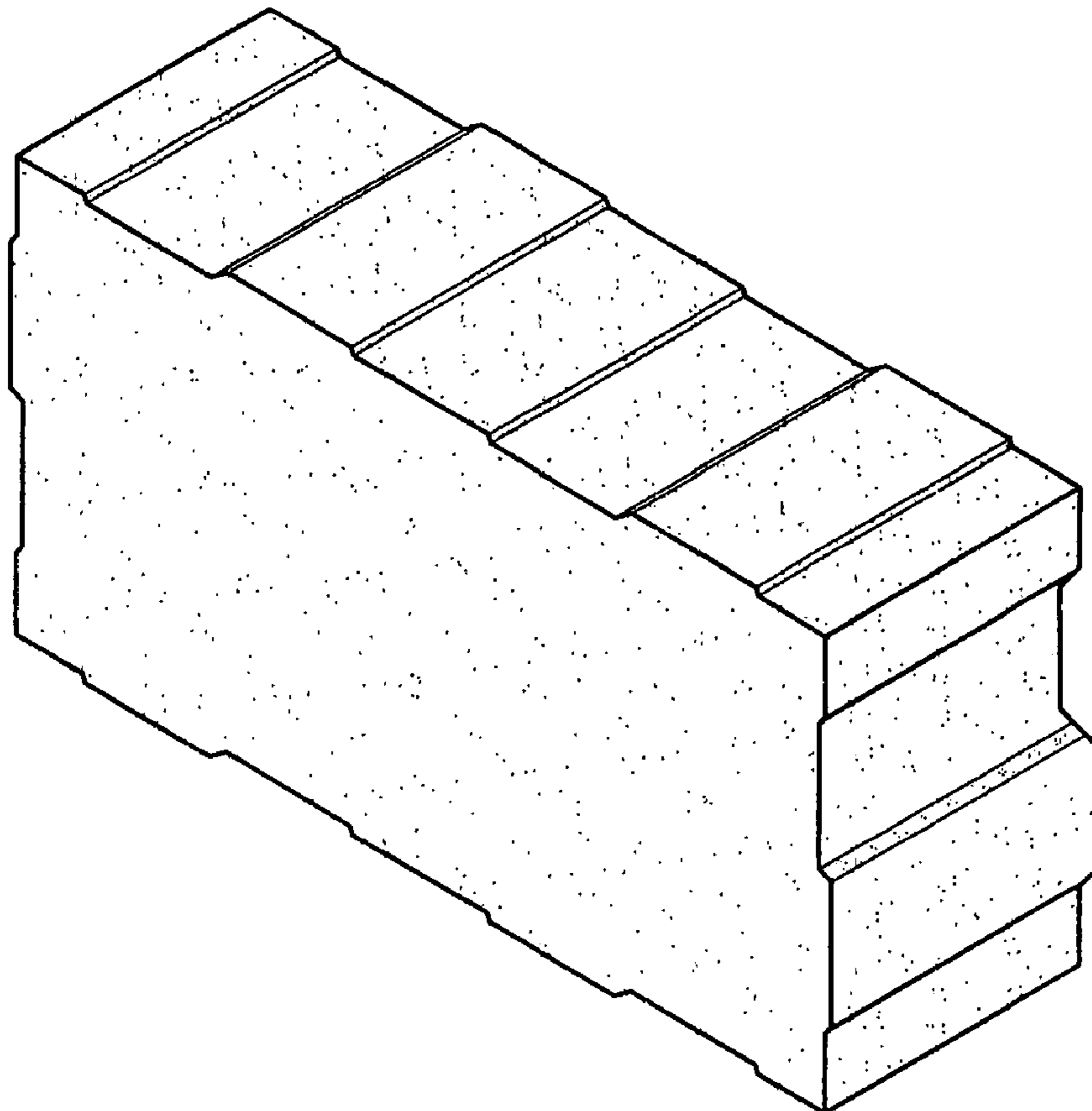
(57) **CLAIM**

The ornamental designs for an interlocking brick, as shown and described.

**DESCRIPTION**

FIG. 1 is a top view of an interlocking brick.  
FIG. 2 is a side view of an interlocking brick.  
FIG. 3 is an end view of an interlocking brick; and,  
FIG. 4 is a perspective view of an interlocking brick.  
The characteristic features of my design reside in the provision of an interlocking brick.

**1 Claim, 1 Drawing Sheet**



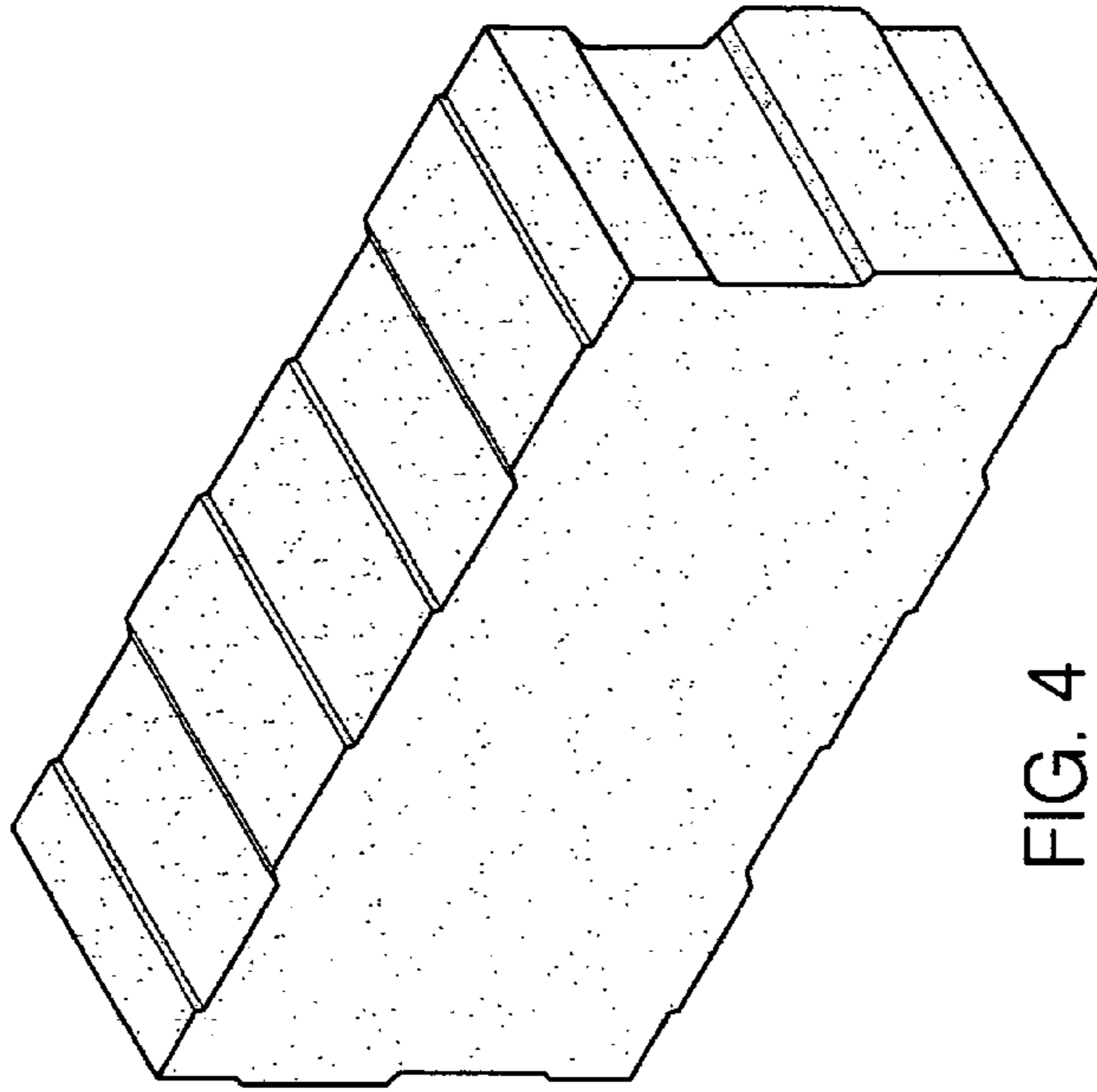


FIG. 4

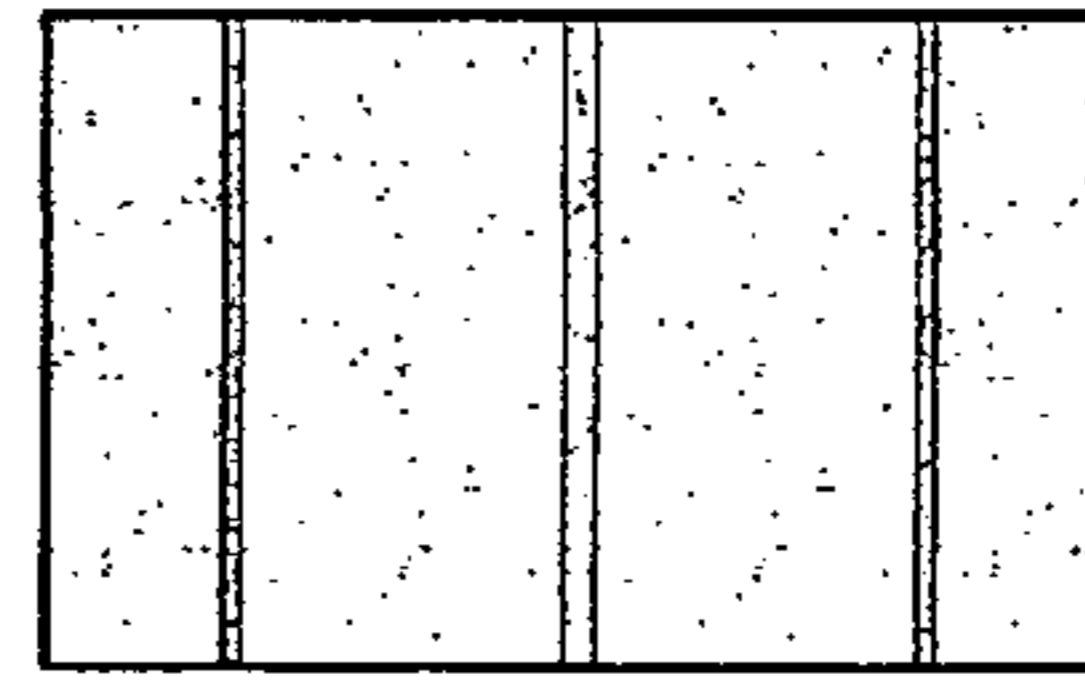


FIG. 3

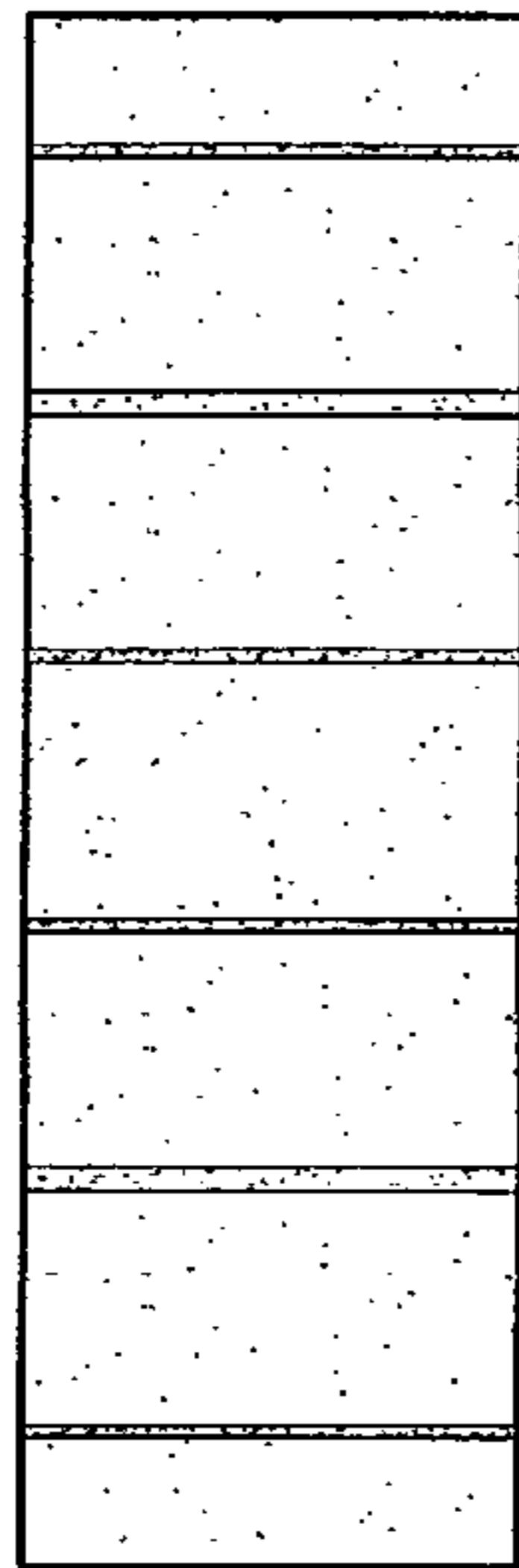


FIG. 2

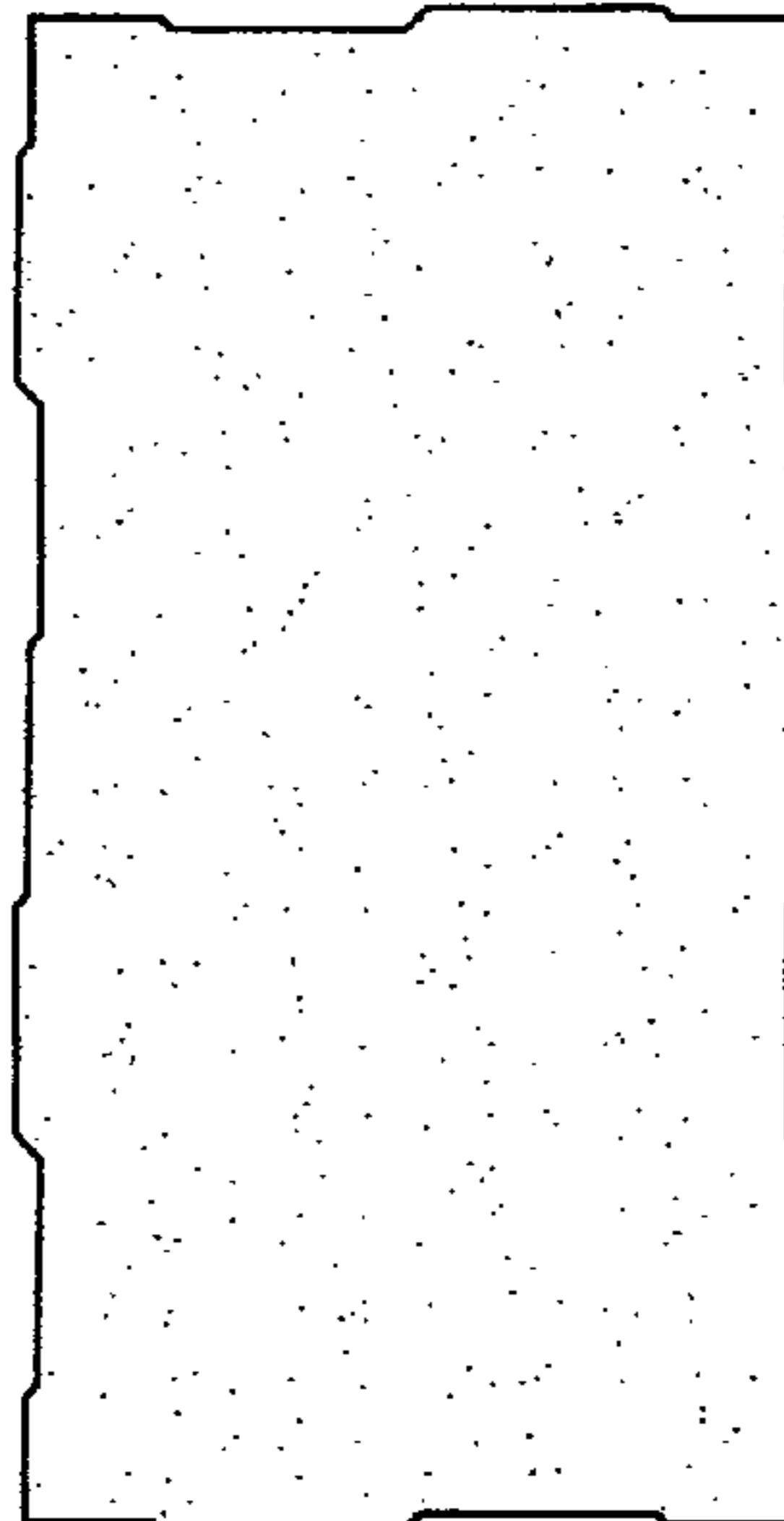


FIG. 1