



US00D663433S

(12) **United States Design Patent**
Cain

(10) **Patent No.:** **US D663,433 S**

(45) **Date of Patent:** **** Jul. 10, 2012**

(54) **DECORATIVE MEDICAL BOOT SLEEVE**

(76) Inventor: **Courtney Cain**, Hyattsville, MD (US)

(**) Term: **14 Years**

(21) Appl. No.: **29/401,081**

(22) Filed: **Sep. 7, 2011**

(51) **LOC (9) Cl.** **24-01**

(52) **U.S. Cl.** **D24/192**

(58) **Field of Classification Search** D24/190,
D24/192; D29/120.1, 121.2; 602/2, 5, 6,
602/16, 20, 23, 26-28, 60-66; 2/16, 22-24,
2/242; D2/897, 909, 912, 980, 984-986,
D2/989, 999; 601/27, 33, 34; 36/2 R, 7.1 R,
36/7.2 R, 115; 128/DIG. 20

See application file for complete search history.

(56) **References Cited**

U.S. PATENT DOCUMENTS

1,624,129	A *	4/1927	Barrett	2/22
2,176,463	A *	10/1939	Meendsen	36/7.1 R
2,249,553	A *	7/1941	Cataffo	36/72 R
2,717,387	A *	9/1955	McMahan	2/22
4,503,566	A *	3/1985	Wheeler	2/22
D278,567	S *	4/1985	Rasmussen	D29/120.1
4,756,026	A *	7/1988	Pierce, Jr.	2/16
5,007,111	A *	4/1991	Adams	2/22
D351,912	S *	10/1994	Turtzo et al.	D24/192
5,425,701	A *	6/1995	Oster et al.	602/23
D365,667	S *	12/1995	Hargrove et al.	D29/120.1
D375,164	S *	10/1996	Wasserman et al.	D24/192
5,613,250	A *	3/1997	Bell	2/242
D382,673	S *	8/1997	Hargrove et al.	D29/120.1
5,970,525	A *	10/1999	Gallinot et al.	2/242
D431,296	S *	9/2000	Swedberg et al.	D24/192
D505,727	S *	5/2005	Krahner et al.	D24/206

7,069,670 B1 * 7/2006 Gerke 36/2 R
7,523,567 B1 * 4/2009 McClelland 36/115
2001/0002491 A1 * 6/2001 Ehr 2/23

* cited by examiner

Primary Examiner — Susan E Krakower

(74) *Attorney, Agent, or Firm* — Hyra IP, PLC; Clifford D. Hyra

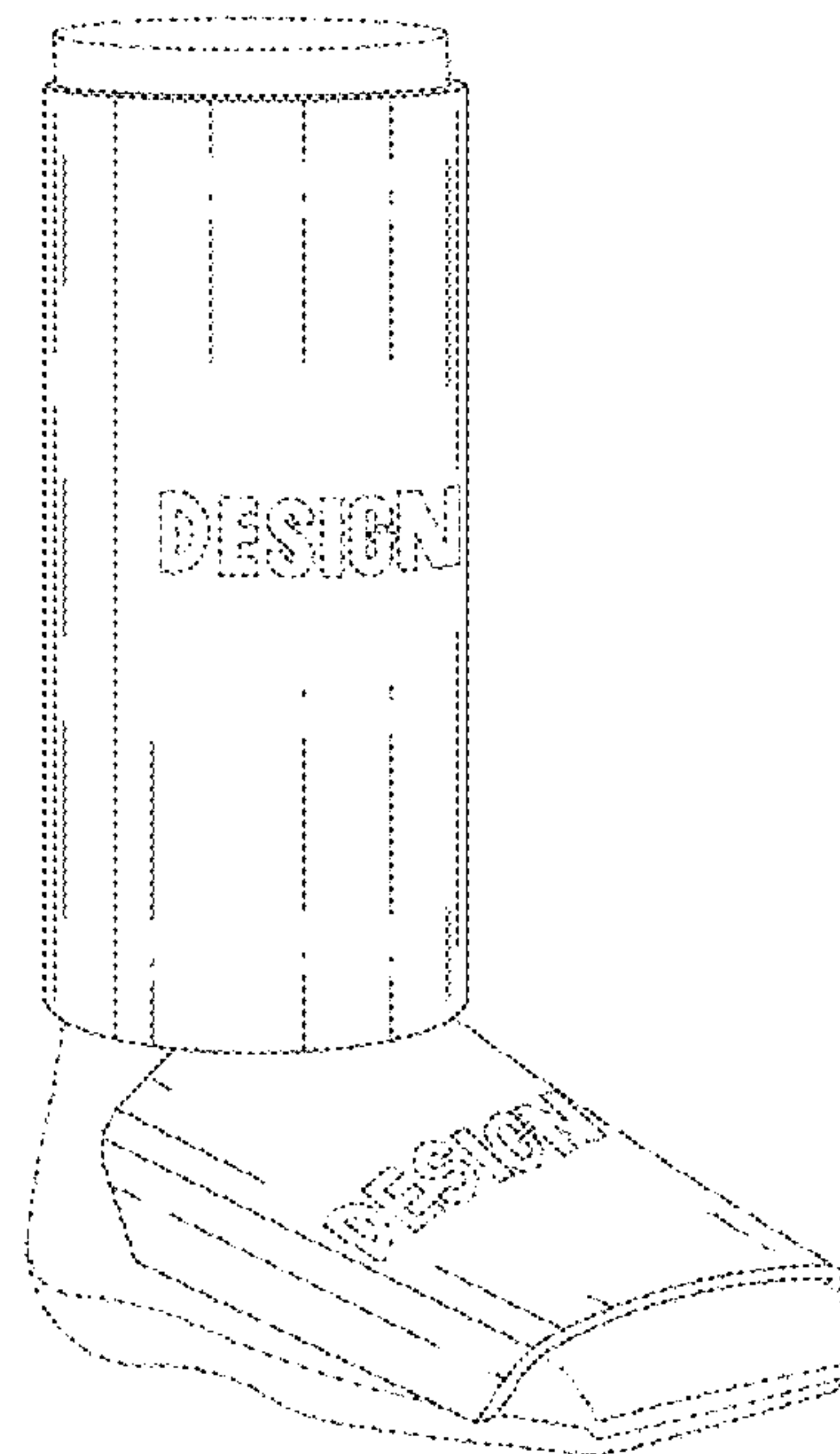
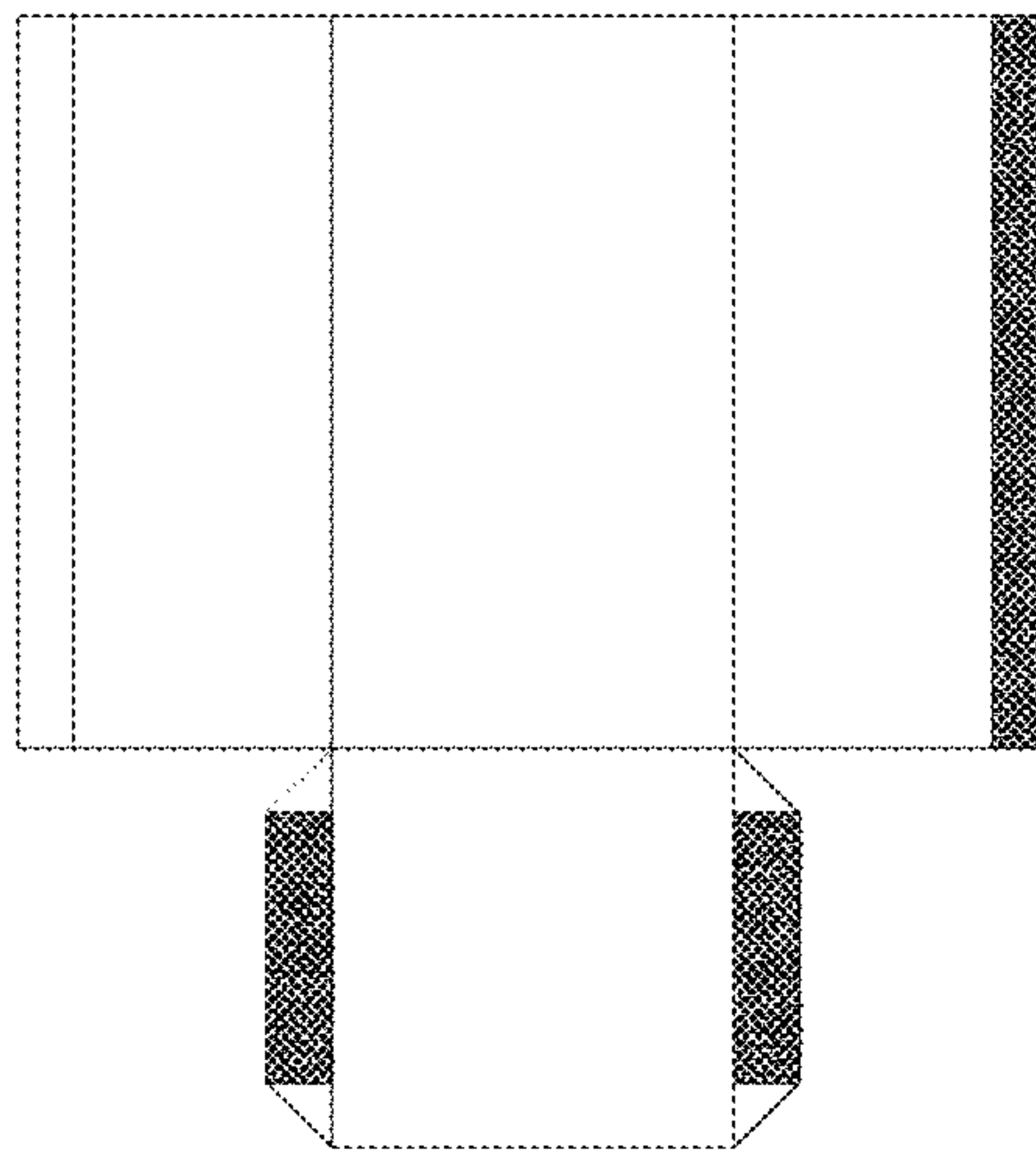
(57) **CLAIM**

The ornamental design for a decorative medical boot sleeve, as shown and described.

DESCRIPTION

FIG. 1 is a back view of a decorative medical boot sleeve. FIG. 2 is a top view of a decorative medical boot sleeve. FIG. 3 is a perspective view of a decorative medical boot sleeve showing the back, bottom, and right sides. FIG. 4 is a perspective view of a decorative medical boot sleeve applied to a medical boot (shown in dashed lines), showing the front, top, and left sides. FIG. 5 is a perspective view of a decorative medical boot sleeve as applied to a medical boot, with the medical boot not shown, showing the front, top, and left sides. FIG. 6 is a right side view of a decorative medical boot sleeve applied to a medical boot (shown in dashed lines). FIG. 7 is a back perspective view of a decorative medical boot sleeve applied to a medical boot (shown in dashed lines); and, FIG. 8 is a perspective view of a decorative medical boot sleeve partially applied to a medical boot (shown in dashed lines), showing the back, top and right side. The broken line showing of a medical boot in FIGS. 4 and 6-8 and of a design in FIGS. 2, 4-6, and 8 are included for the purpose of illustrating environmental structure and form no part of the claimed design.

1 Claim, 8 Drawing Sheets



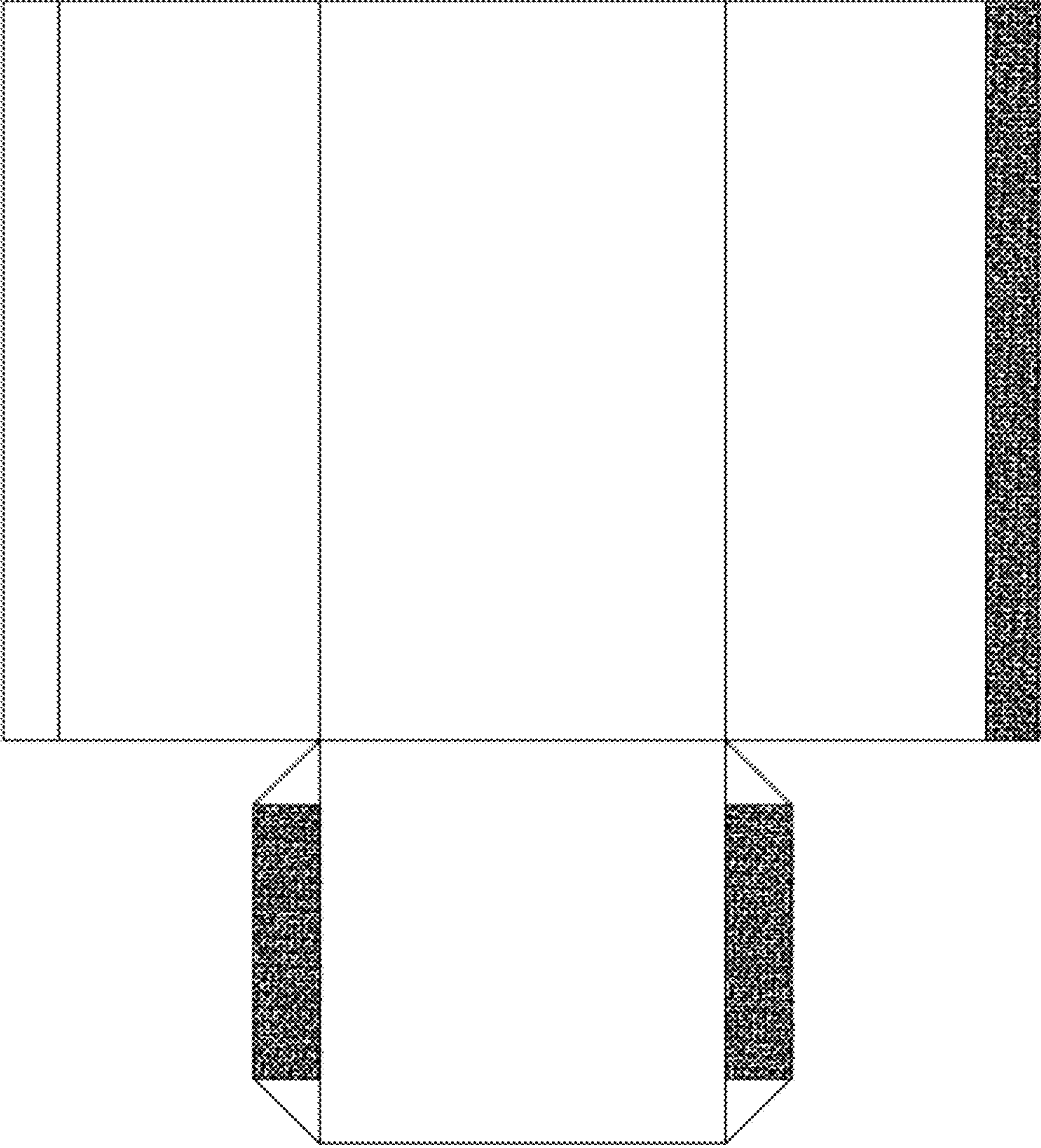


FIG. 1

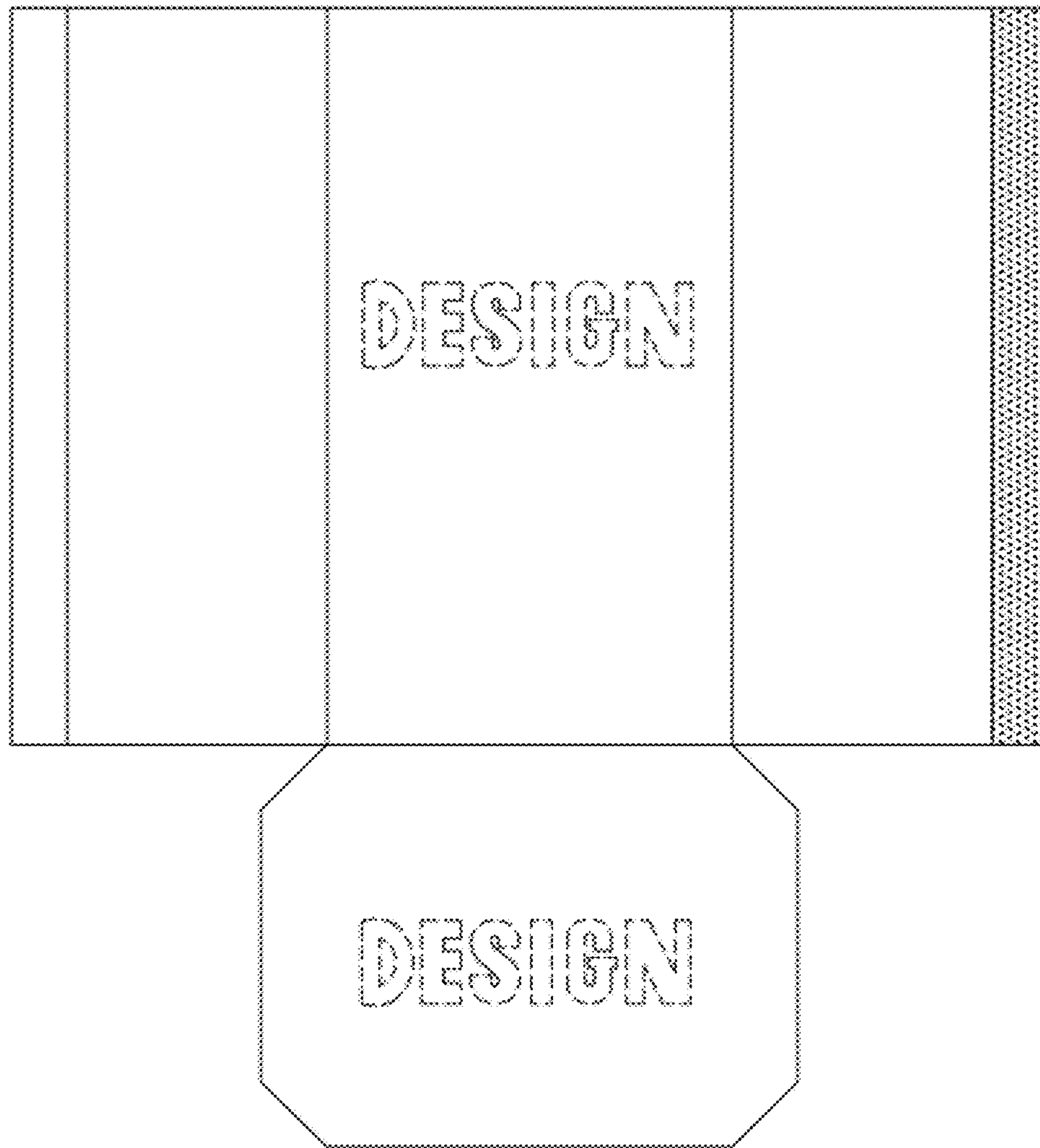


FIG. 2

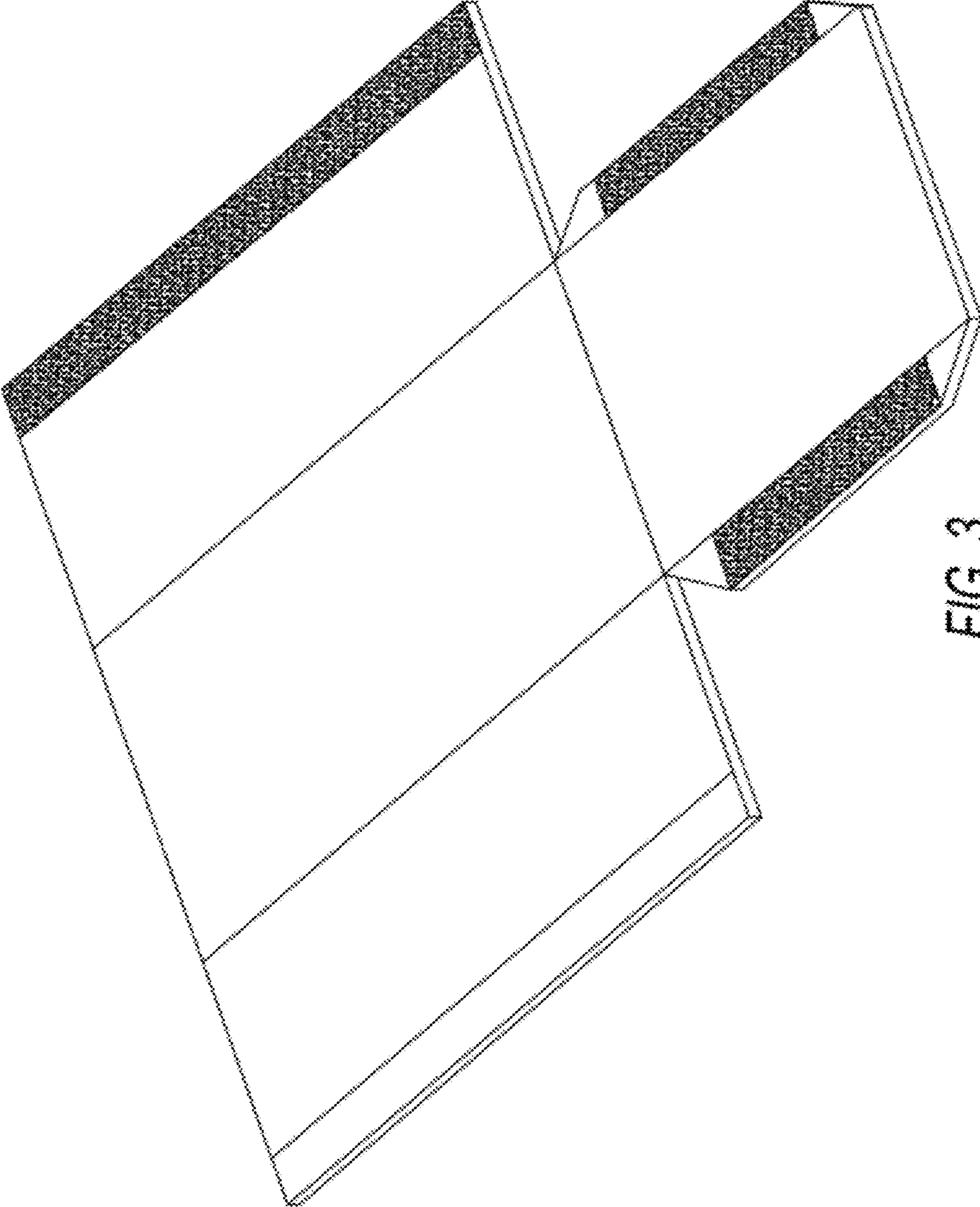


FIG. 3

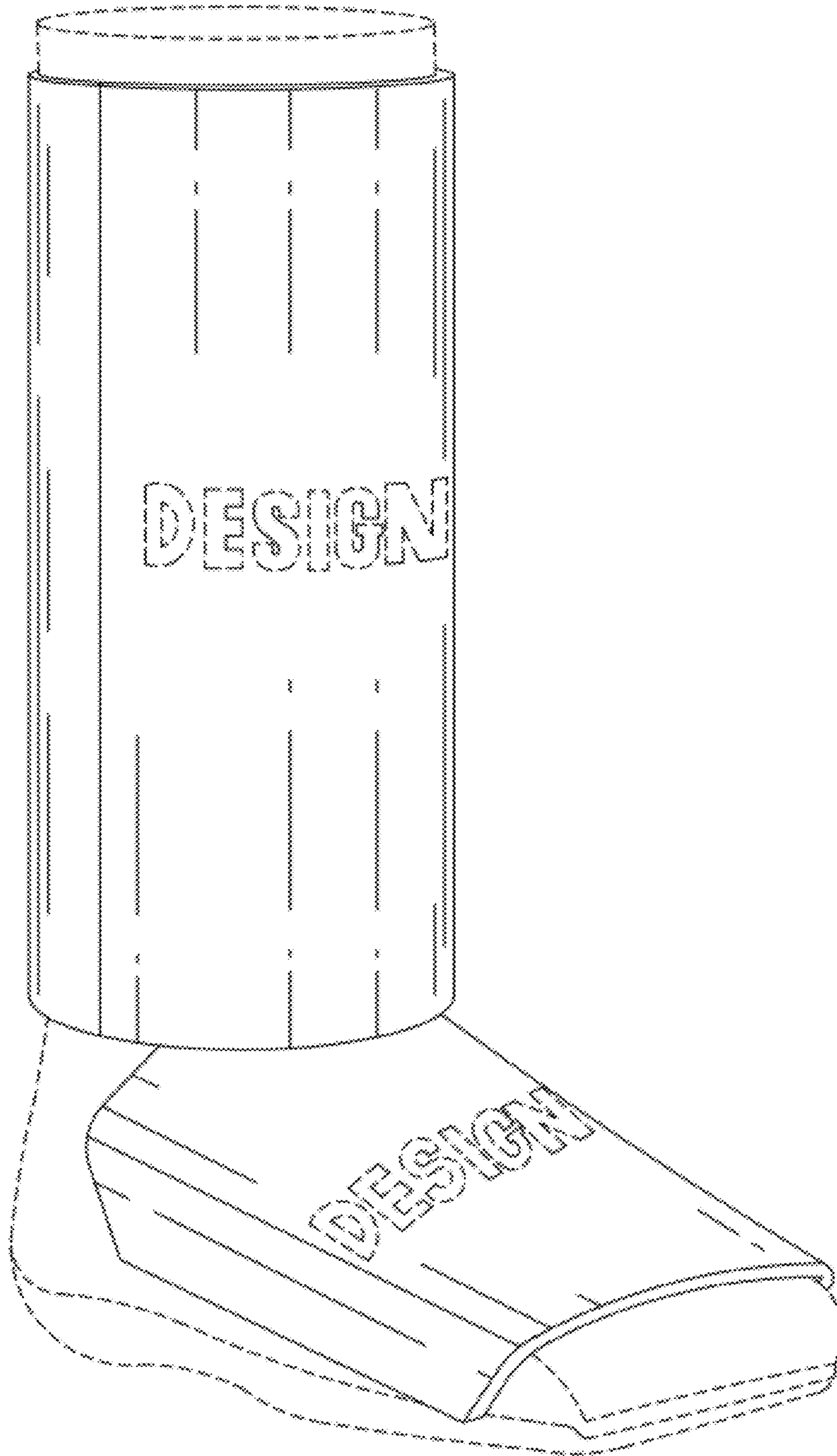


FIG. 4

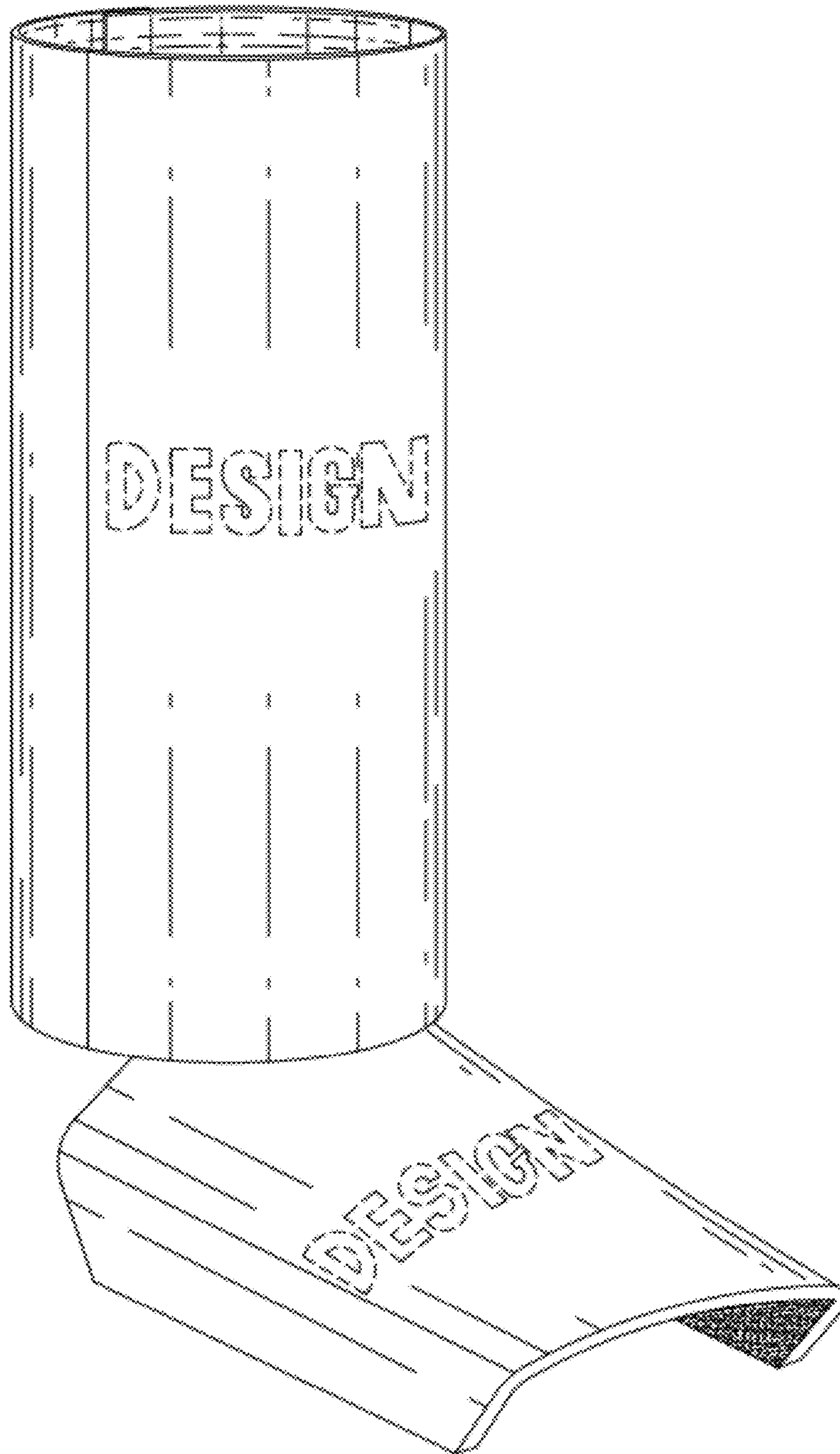


FIG. 5

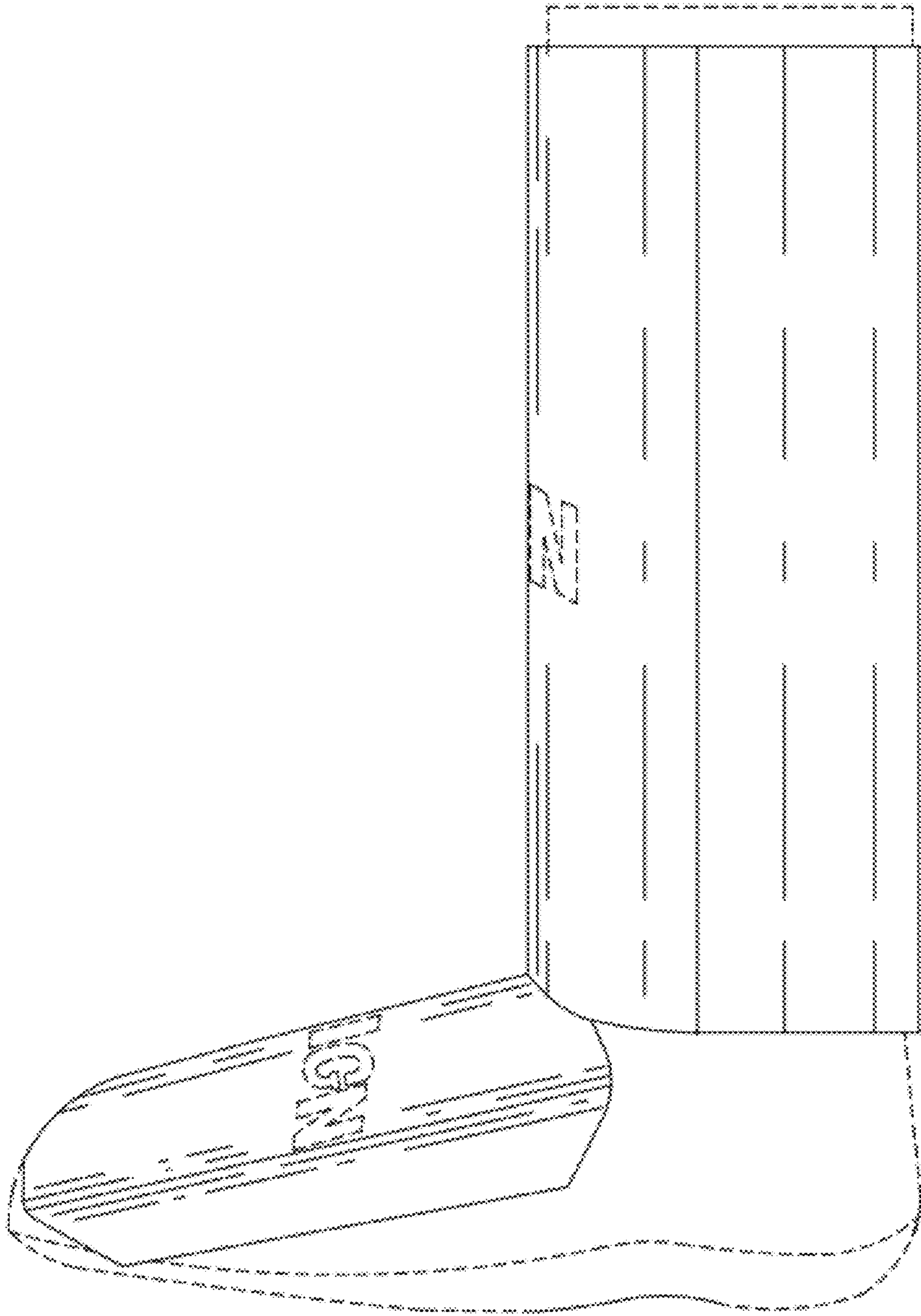


FIG. 6

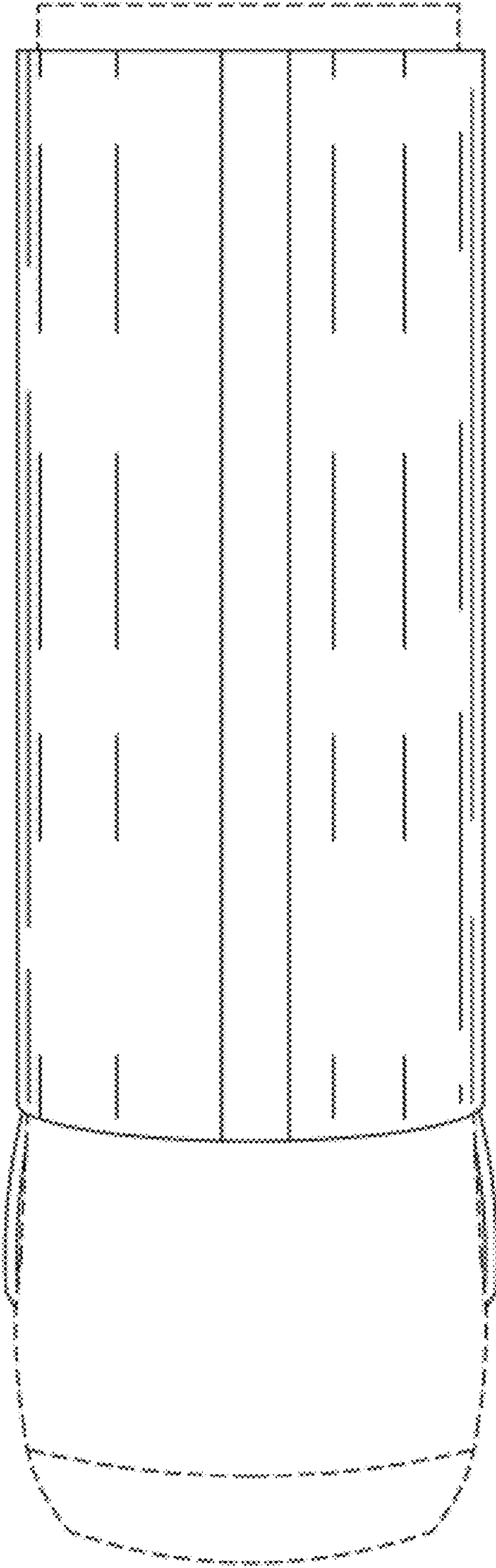


FIG. 7

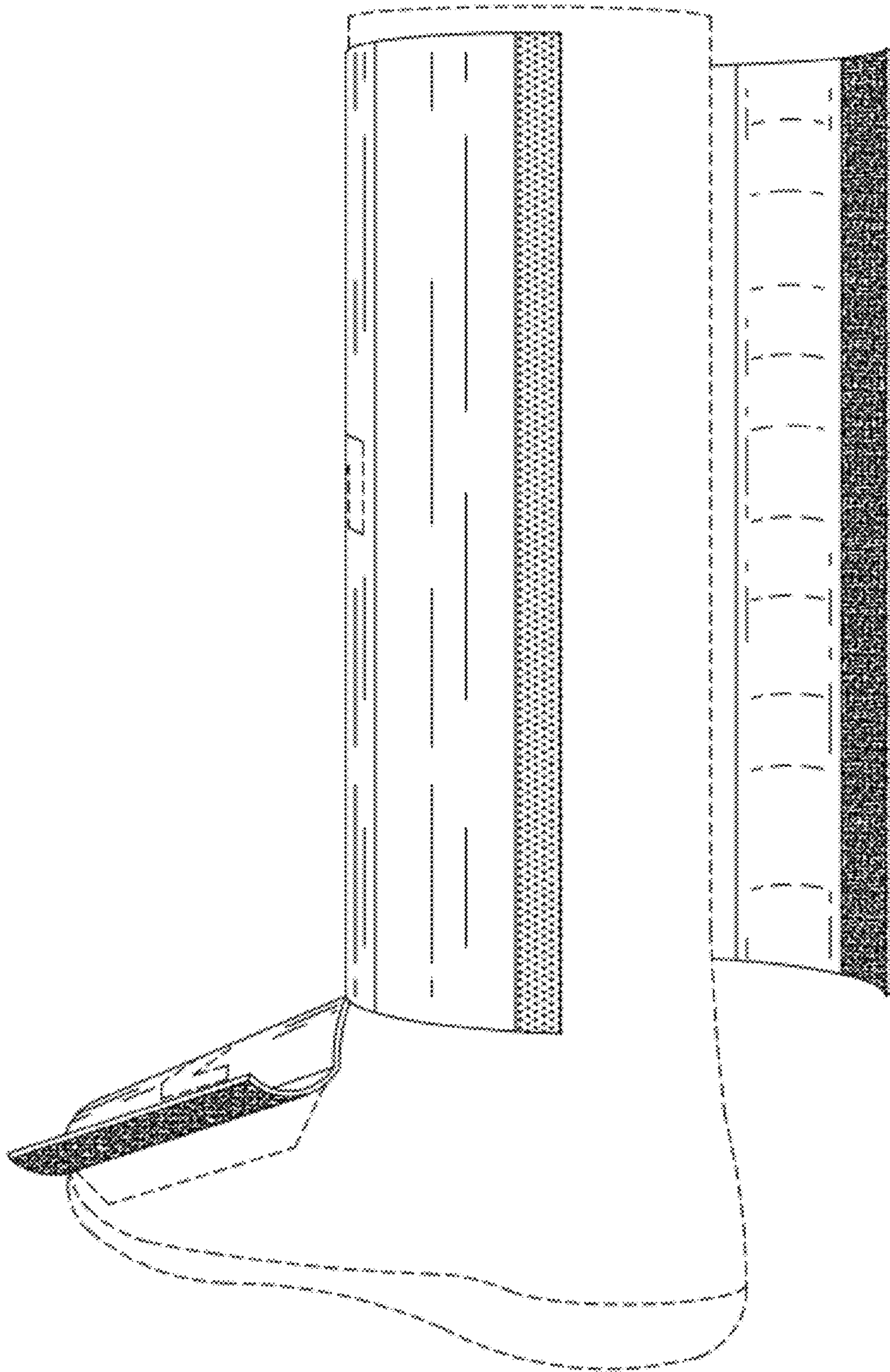


FIG. 8