

US00D663430S

(12) **United States Design Patent**
Rapp et al.

(10) **Patent No.:** **US D663,430 S**
(45) **Date of Patent:** **** Jul. 10, 2012**

(54) **SLEEP DIAGNOSTIC DEVICE**

(75) Inventors: **Edward J. Rapp**, Cleveland Heights, OH (US); **Sarah M. Weimer**, North Royalton, OH (US); **Matthew J. Wunderle**, North Olmsted, OH (US)

(73) Assignee: **Cleveland Medical Devices Inc.**, Cleveland, OH (US)

(**) Term: **14 Years**

(21) Appl. No.: **29/364,922**

(22) Filed: **Jun. 30, 2010**

Related U.S. Application Data

(63) Continuation-in-part of application No. 12/370,996, filed on Feb. 13, 2009.

(51) **LOC (9) Cl.** **24-01**

(52) **U.S. Cl.** **D24/186**

(58) **Field of Classification Search** D24/110,
D24/164, 186, 231; D23/356, 358; 128/200.22-24,
128/200.14, 200.16, 200.18, 203.16-18,
128/204.23

See application file for complete search history.

(56) **References Cited**

U.S. PATENT DOCUMENTS

5,682,878	A	*	11/1997	Ogden	128/204.23
D427,675	S	*	7/2000	Hansel	D24/110
D464,724	S	*	10/2002	Lynch et al.	D24/110
D468,011	S	*	12/2002	Lithgow et al.	D24/110
D476,077	S	*	6/2003	Lithgow et al.	D24/110

D487,311	S	*	3/2004	Lithgow et al.	D24/110
D493,520	S	*	7/2004	Bertinetti et al.	D24/110
D493,884	S	*	8/2004	Virr et al.	D24/110
D497,203	S	*	10/2004	Lithgow et al.	D24/110
D498,528	S	*	11/2004	Van Brunt et al.	D24/110
D544,598	S	*	6/2007	Lithgow et al.	D24/110
D560,795	S	*	1/2008	Lithgow et al.	D24/110
7,366,572	B2	*	4/2008	Heruth et al.	607/48
D585,540	S	*	1/2009	Lithgow et al.	D24/110
D602,585	S	*	10/2009	Blackwell et al.	D24/110

* cited by examiner

Primary Examiner — T. Chase Nelson

Assistant Examiner — Mark Cavanna

(74) *Attorney, Agent, or Firm* — Robert Knecht Schmidt

(57) **CLAIM**

The ornamental design for a sleep diagnostic device, as shown and described.

DESCRIPTION

FIG. 1 is a front perspective view of the claimed sleep diagnostic device;

FIG. 2 is a back perspective view thereof;

FIG. 3 is a front orthogonal view thereof;

FIG. 4 is a back orthogonal view thereof;

FIG. 5 is a top orthogonal view thereof;

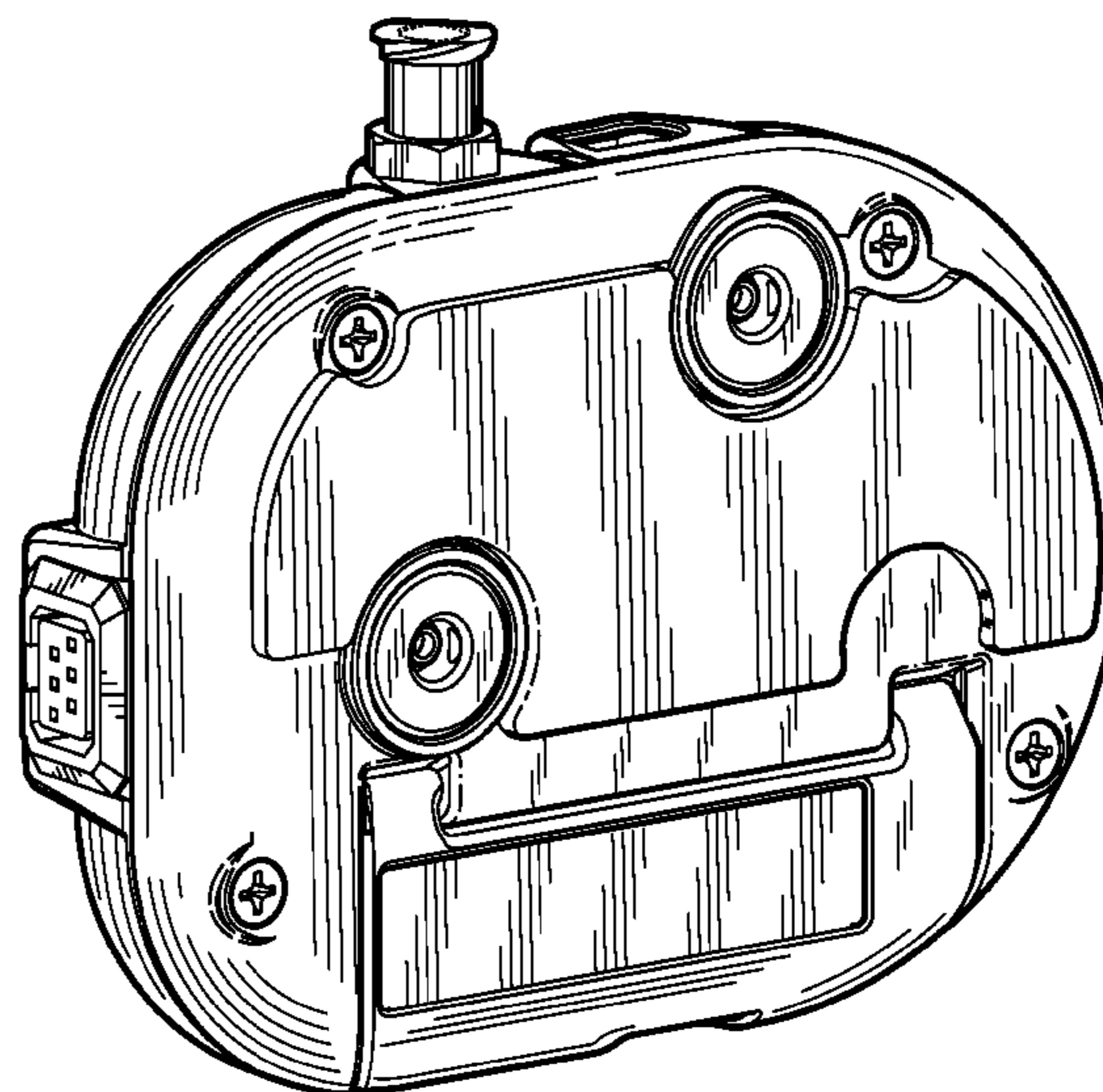
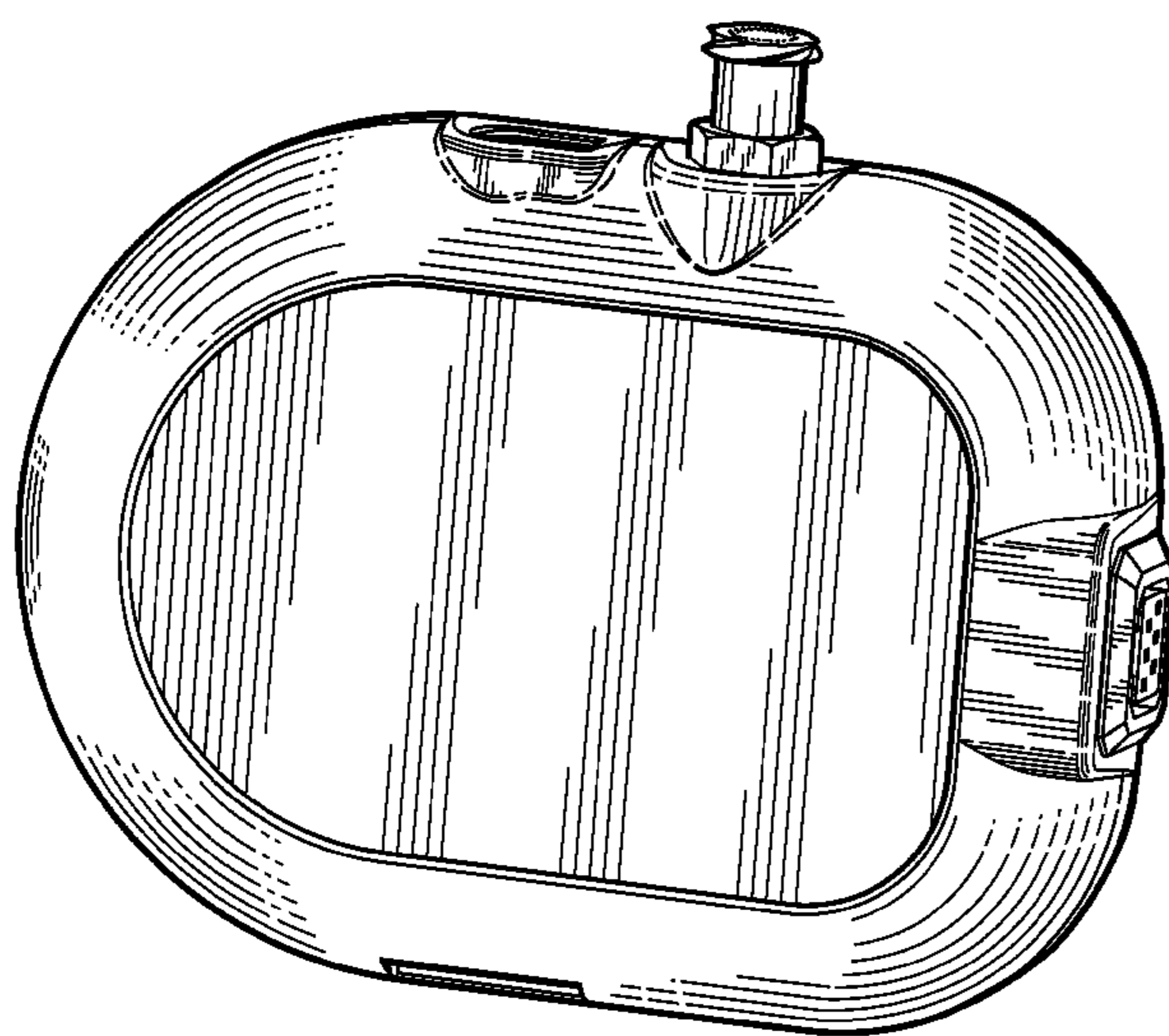
FIG. 6 is a bottom orthogonal view thereof;

FIG. 7 is a right side orthogonal view thereof; and,

FIG. 8 is a left side orthogonal view thereof.

Regularly broken lines in the drawings are included for the purpose of illustrating unclaimed portions of the sleep diagnostic device and form no part of the claimed design. Lines with random slight breaks are intended to show smooth contours, as opposed to solid lines which show sharp edges.

1 Claim, 8 Drawing Sheets



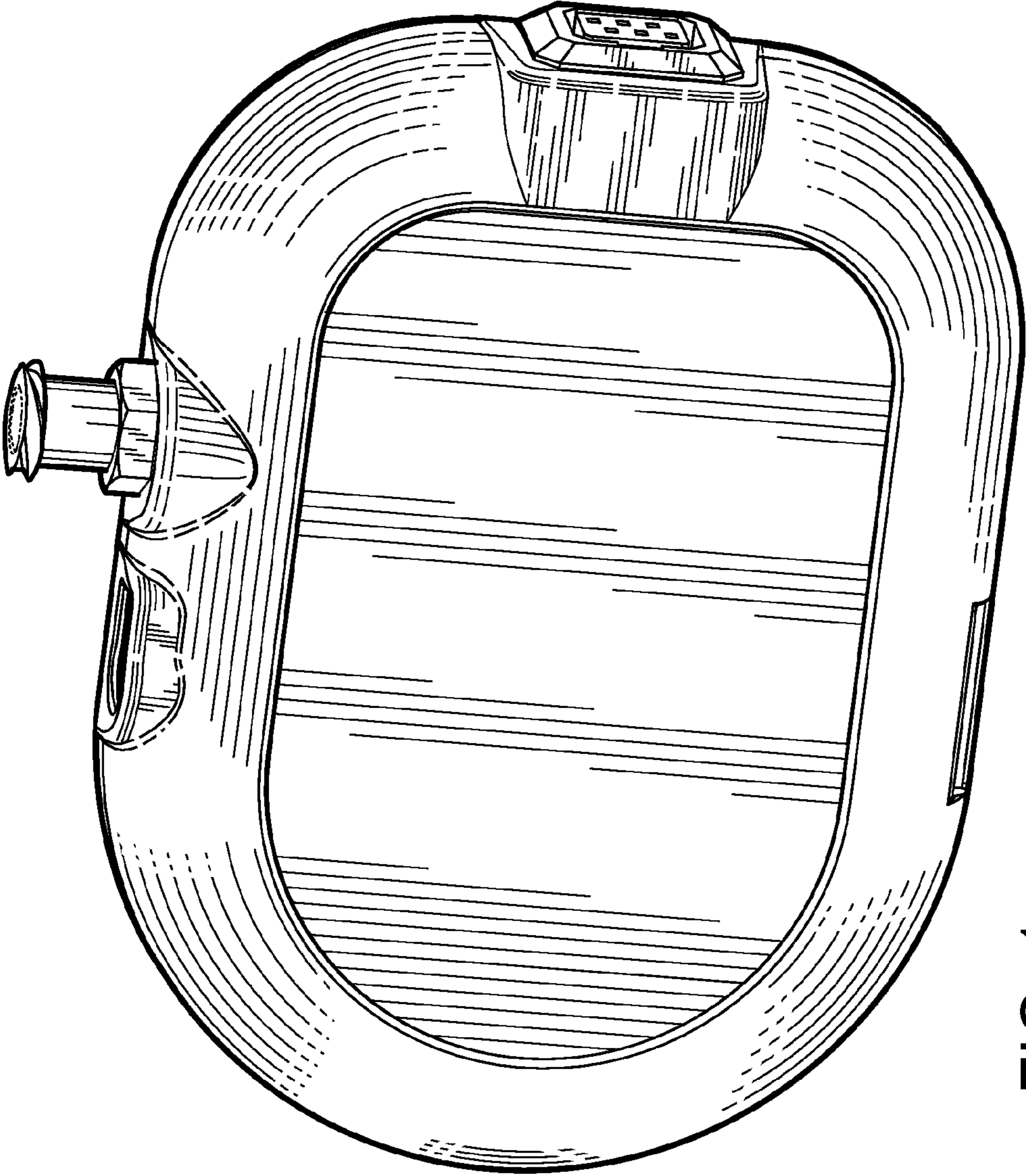


FIG. 1

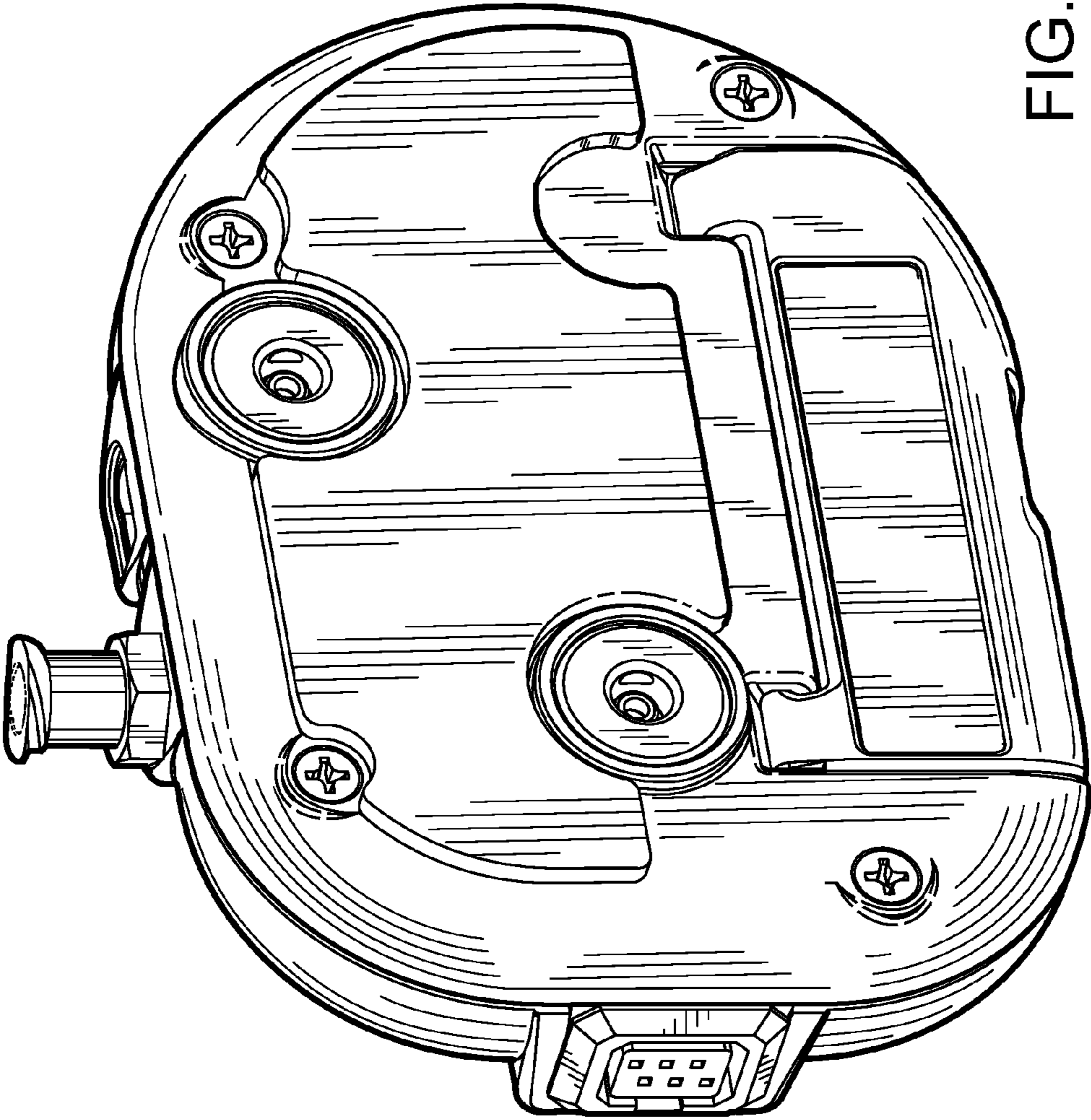


FIG. 2

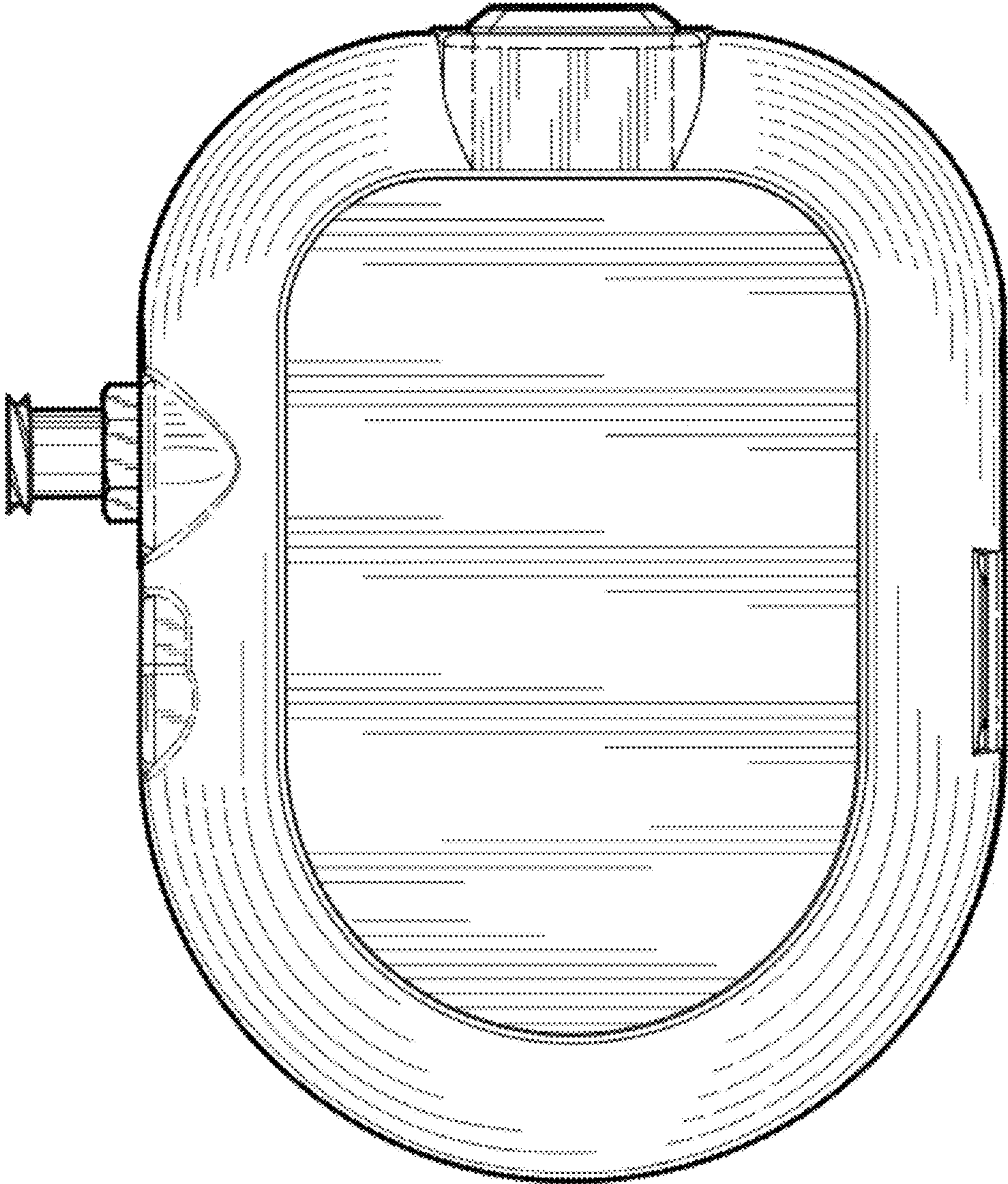


FIG. 3

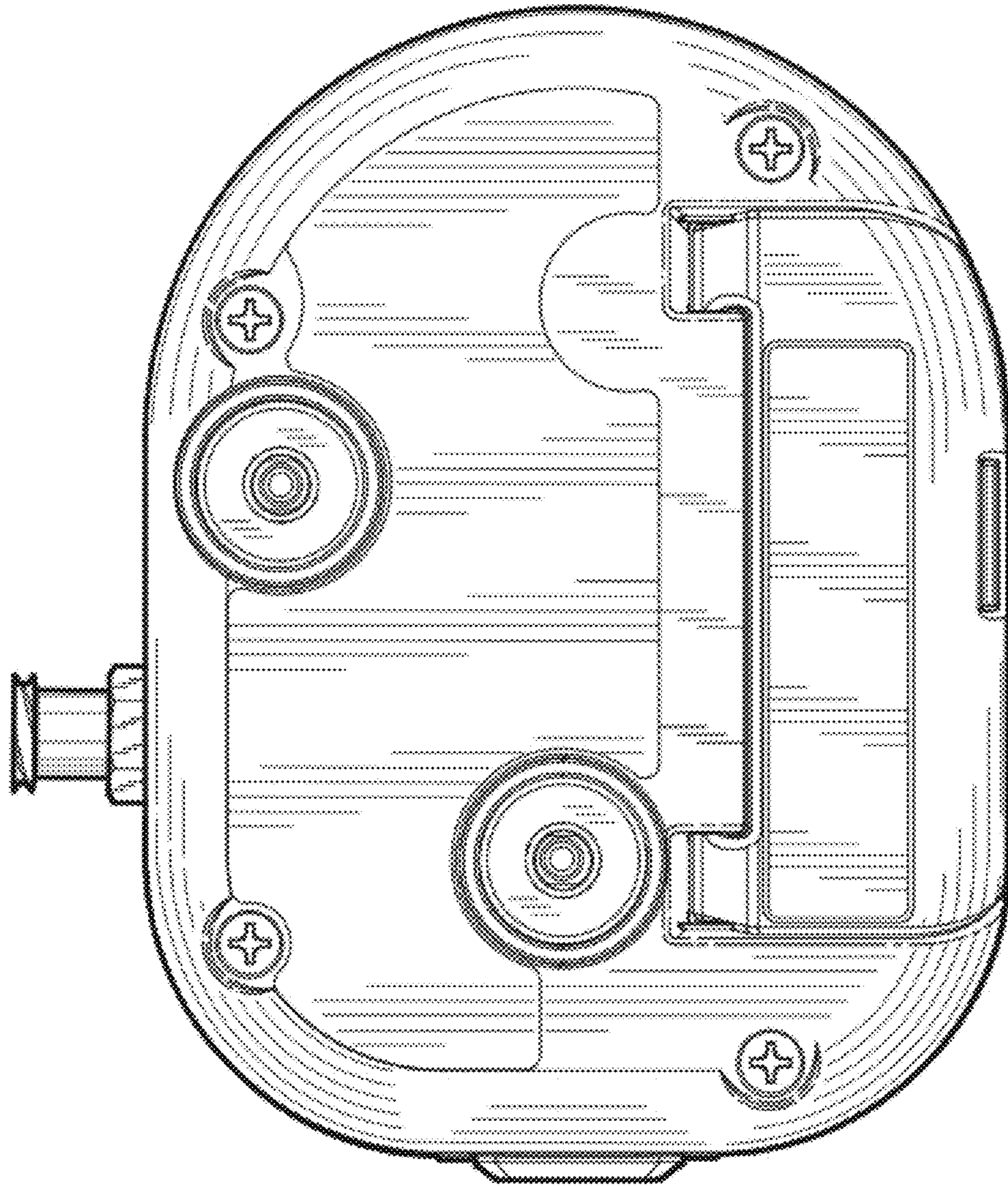


FIG. 4

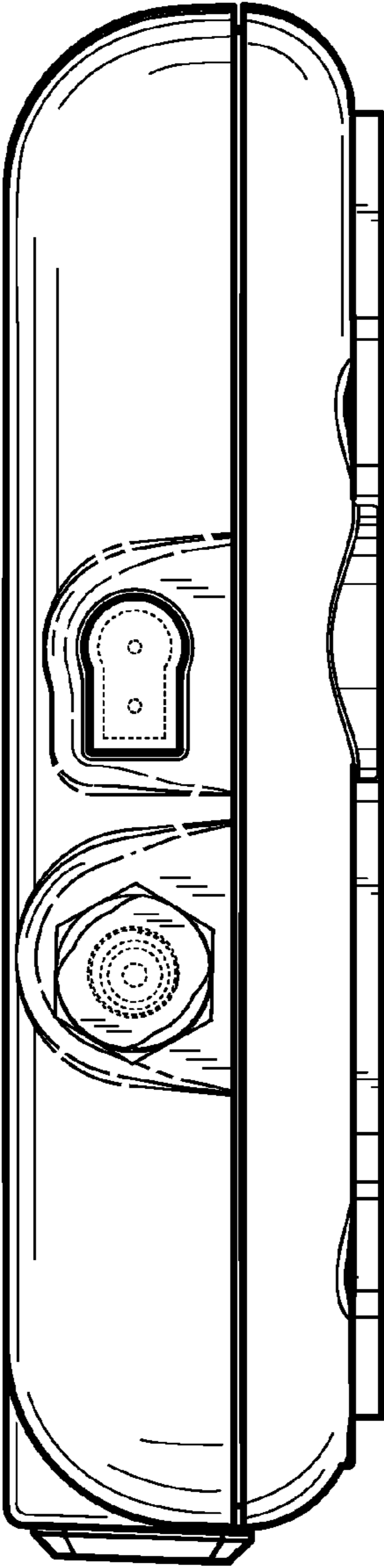


FIG. 5

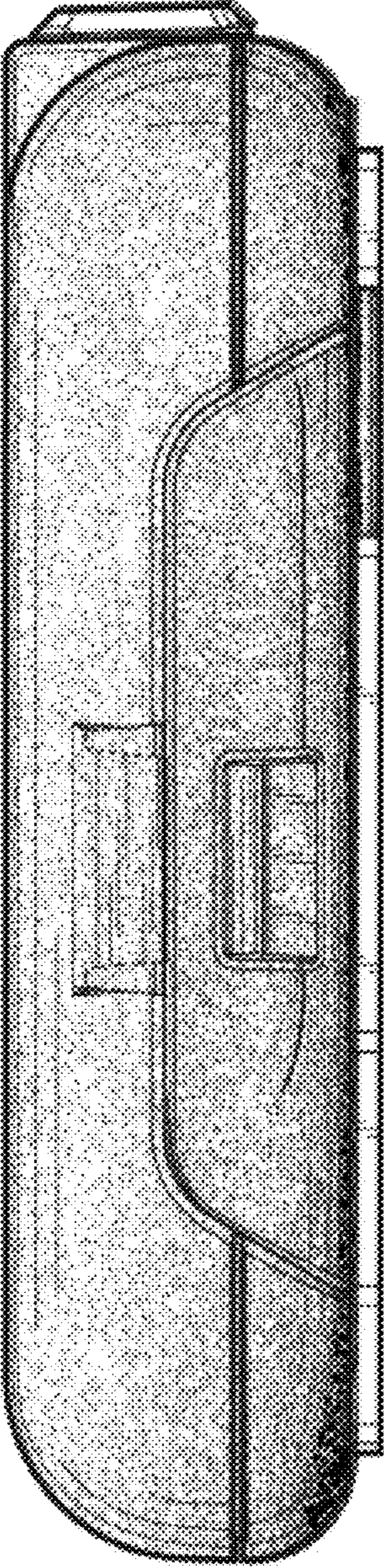


FIG. 6

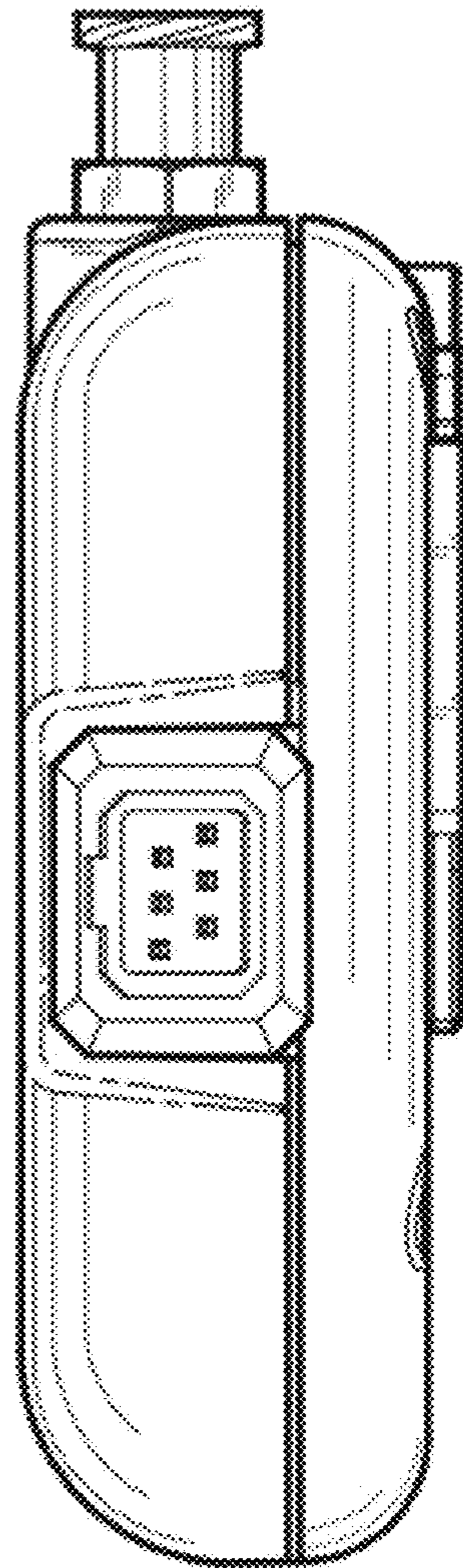


FIG. 7

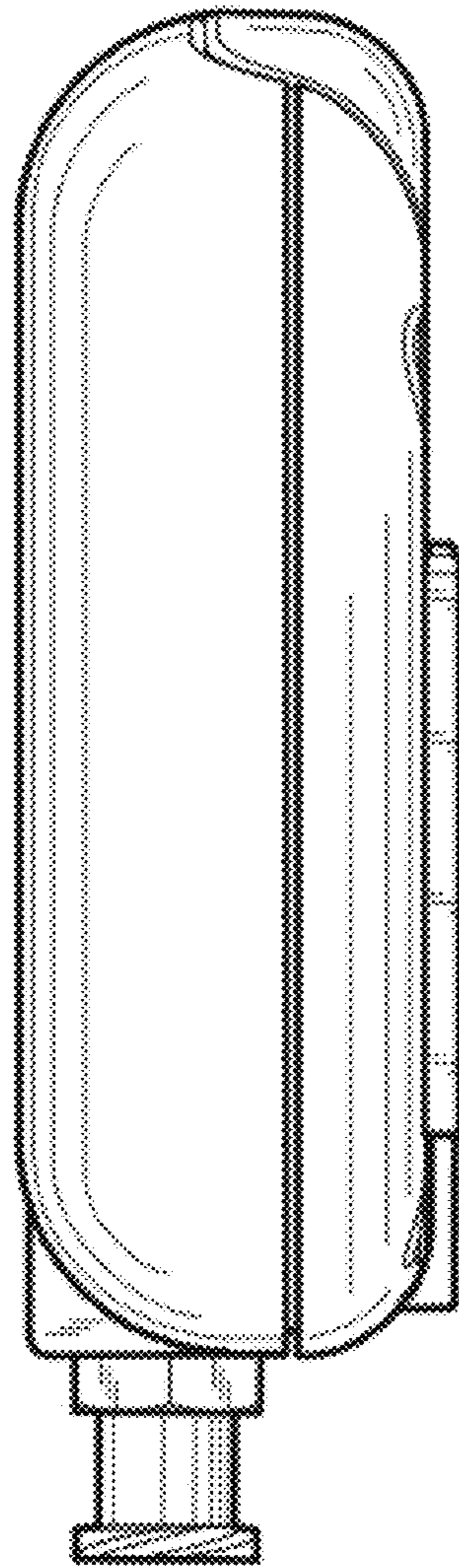


FIG. 8