



US00D663429S

(12) **United States Design Patent**
Swanek

(10) **Patent No.:** **US D663,429 S**
(45) **Date of Patent:** **** Jul. 10, 2012**

(54) **SANITIZING STATION**

(76) Inventor: **Rosemary Swanek, Toronto (CA)**

(**) Term: **14 Years**

(21) Appl. No.: **29/410,160**

(22) Filed: **Jan. 4, 2012**

Related U.S. Application Data

(62) Division of application No. 29/346,546, filed on Nov. 2, 2009, now Pat. No. Des. 654,175.

(30) **Foreign Application Priority Data**

May 1, 2009 (CA) 130522

(51) **LOC (9) Cl.** **24-01**

(52) **U.S. Cl.** **D24/185**

(58) **Field of Classification Search** D24/185,
D24/217, 232, 234; 221/105, 173, 180, 181.1,
221/181.2, 181.3, 1, 45; D10/2; D6/515,
D6/542-545, 522, 519; 222/173-174, 192;
D23/234, 270, 271, 286; 312/249.11
See application file for complete search history.

(56) **References Cited**

U.S. PATENT DOCUMENTS

| | | | | |
|--------------|---------|-------------------|-------|--------|
| D273,062 S * | 3/1984 | Richardson | | D6/545 |
| D274,024 S * | 5/1984 | Vignot | | D6/545 |
| D279,530 S * | 7/1985 | vonBuelow | | D6/545 |
| D283,573 S * | 4/1986 | Bernard | | D6/519 |
| D285,271 S * | 8/1986 | Bunschoten et al. | | D6/545 |
| D285,272 S * | 8/1986 | Bunschoten et al. | | D6/545 |
| D310,924 S * | 10/1990 | Breger | | D6/542 |
| D341,974 S * | 12/1993 | Killooy | | D6/545 |
| D343,751 S * | 2/1994 | Bell et al. | | D6/545 |
| D344,830 S * | 3/1994 | Carter et al. | | D6/519 |
| D345,664 S * | 4/1994 | Brandenburg | | D6/545 |
| D345,877 S * | 4/1994 | Brandenburg | | D6/545 |
| D372,613 S * | 8/1996 | Nixon, II | | D6/545 |

| | | | | |
|--------------|---------|--------------------|-------|--------|
| D379,728 S * | 6/1997 | Simon | | D6/545 |
| D386,027 S * | 11/1997 | Cameron et al. | | D6/545 |
| D388,990 S * | 1/1998 | Brandenburg et al. | | D6/545 |
| D426,094 S * | 6/2000 | Carlson | | D6/545 |

(Continued)

Primary Examiner — T. Chase Nelson

Assistant Examiner — Mark Cavanna

(74) *Attorney, Agent, or Firm* — Smith Risley Tempel Santos LLC; Gregory Scott Smith

(57) **CLAIM**

The ornamental design for a sanitizing station, as shown and described.

DESCRIPTION

FIG. 1 is a perspective view of a first embodiment of a sanitizing station;

FIG. 2 is a perspective view of a second embodiment of a sanitizing station;

FIG. 3 is a front elevation view of the sanitizing station of FIG. 1;

FIG. 4 is a side elevation view of the sanitizing station of FIG. 1;

FIG. 5 is a top plan view of the sanitizing station of FIG. 1;

FIG. 6 is a front elevation view of the sanitizing station of FIG. 2;

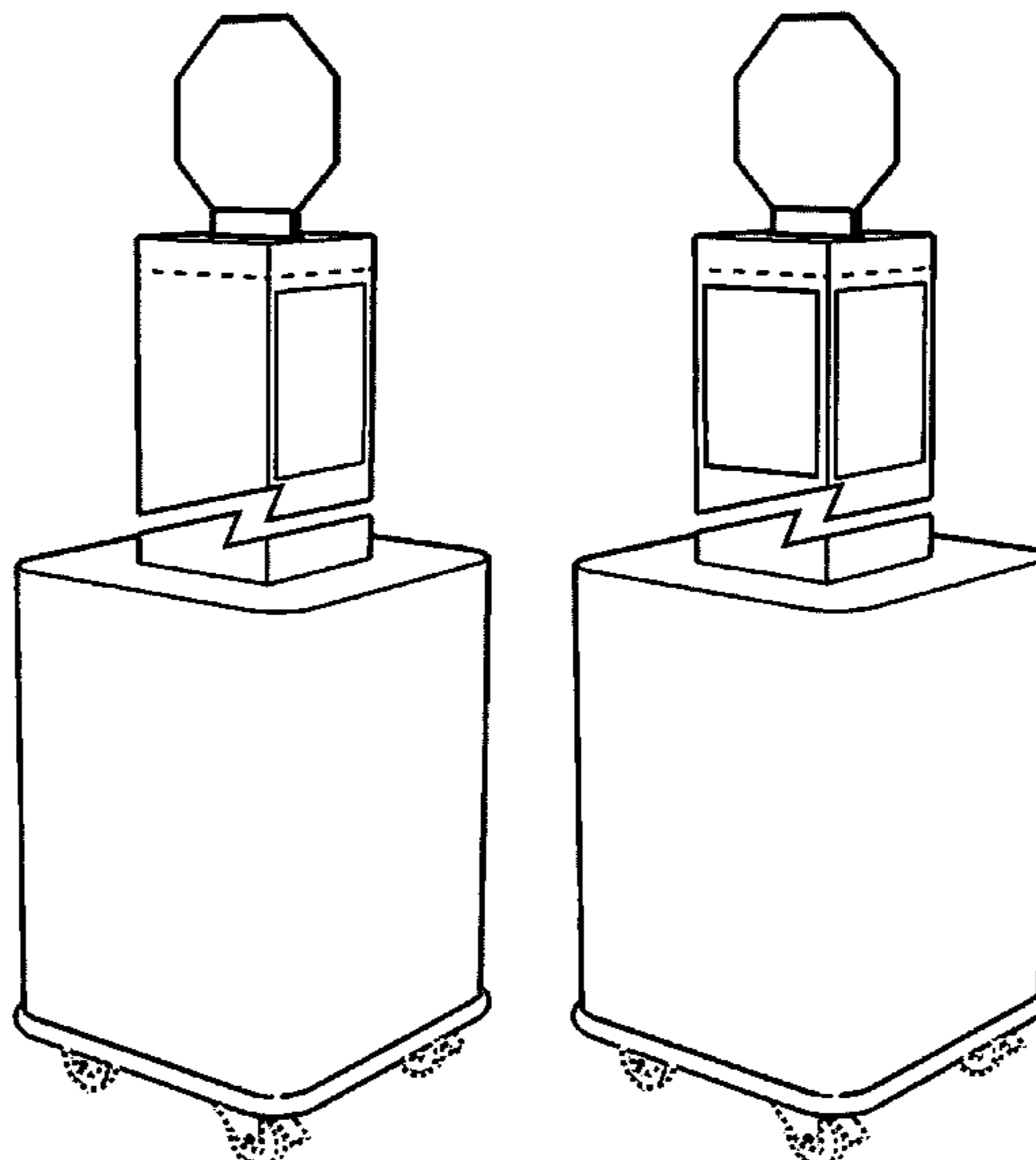
FIG. 7 is a side elevation view of the sanitizing station of FIG. 2;

FIG. 8 is a top plan view of the sanitizing station of FIG. 2; and,

FIG. 9 is a bottom plan view of the sanitizing stations of FIGS. 1 and 2.

The broken lines are included for the purpose of illustrating portions of the sanitizing station that form no part of the claimed design. The column portion of the sanitizing station shown in FIGS. 1-4 and 6-7 is shown broken away in order to indicate that a specific height of this portion forms no part of the claimed design.

1 Claim, 9 Drawing Sheets



US D663,429 S

Page 2

U.S. PATENT DOCUMENTS

| | | | | | | | |
|--------------|---------|----------------------|---------|-------------------|---------|------------------|---------|
| D475,873 S * | 6/2003 | Mello | D6/515 | D632,765 S * | 2/2011 | Stob et al. | D23/270 |
| D530,125 S * | 10/2006 | Vignot | D6/545 | D634,143 S * | 3/2011 | Burkett | D6/545 |
| D544,071 S * | 6/2007 | Teuscher et al. | D23/234 | 2003/0197026 A1 * | 10/2003 | Ashe | 222/174 |
| D620,292 S * | 7/2010 | Kim | D6/545 | 2010/0163569 A1 * | 7/2010 | Parker | 221/1 |

* cited by examiner

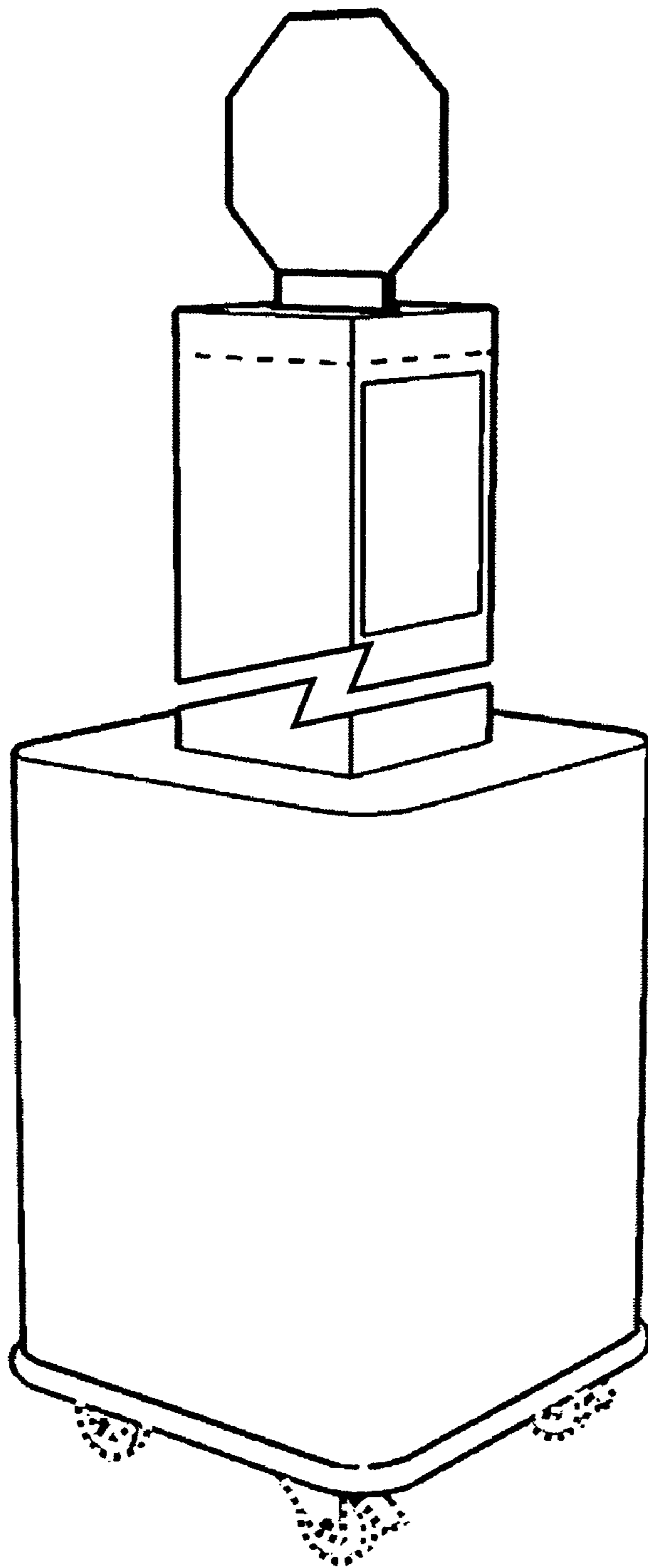


FIG. 1

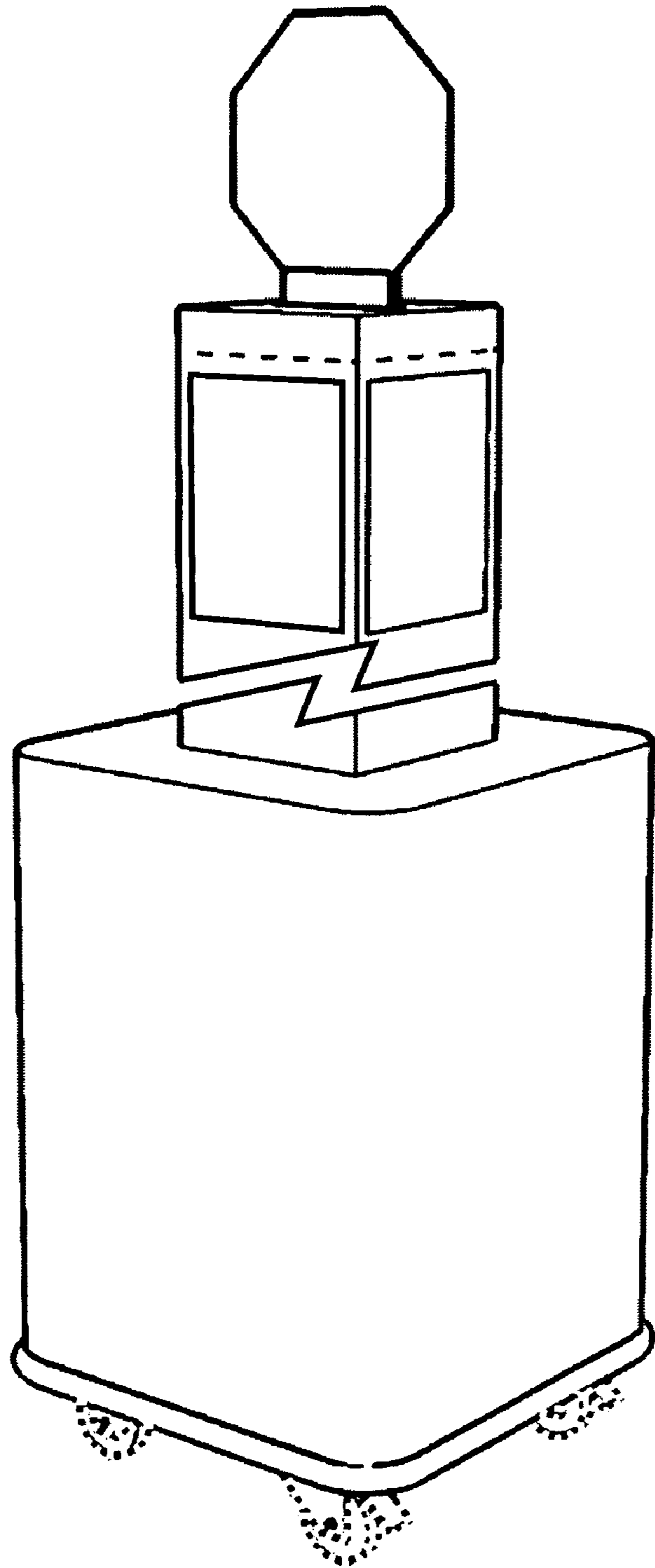


FIG. 2

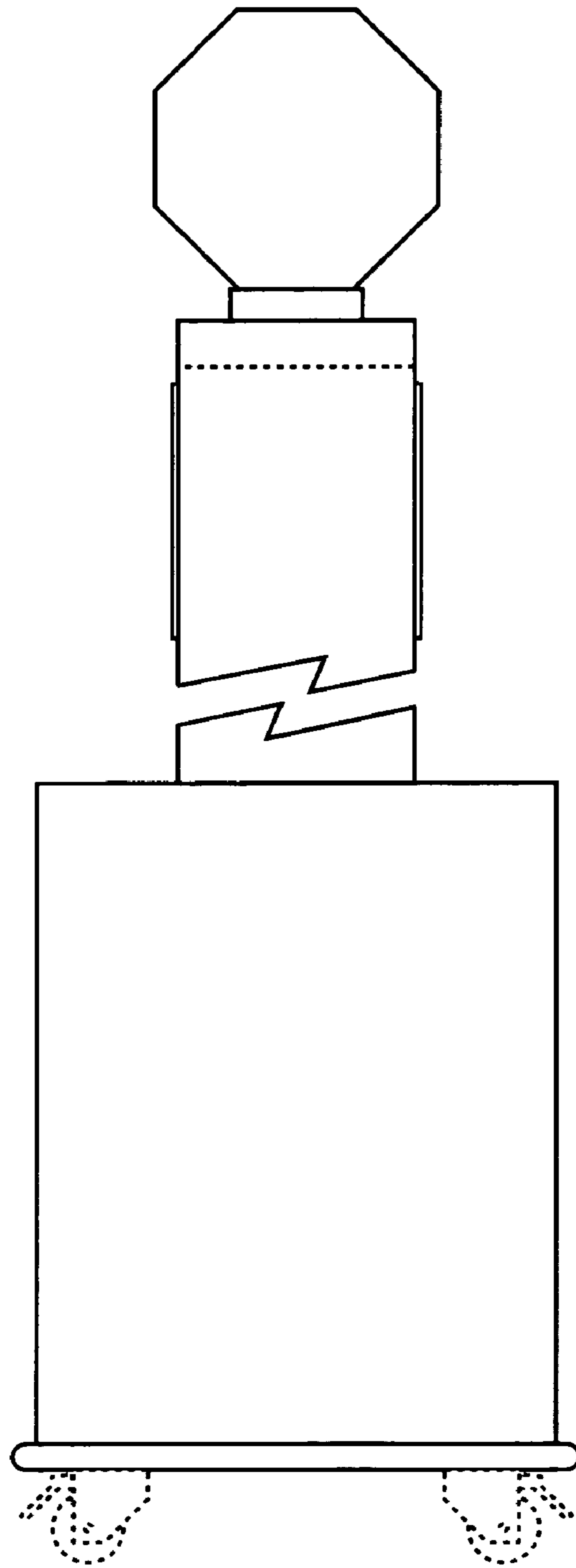


FIG. 3

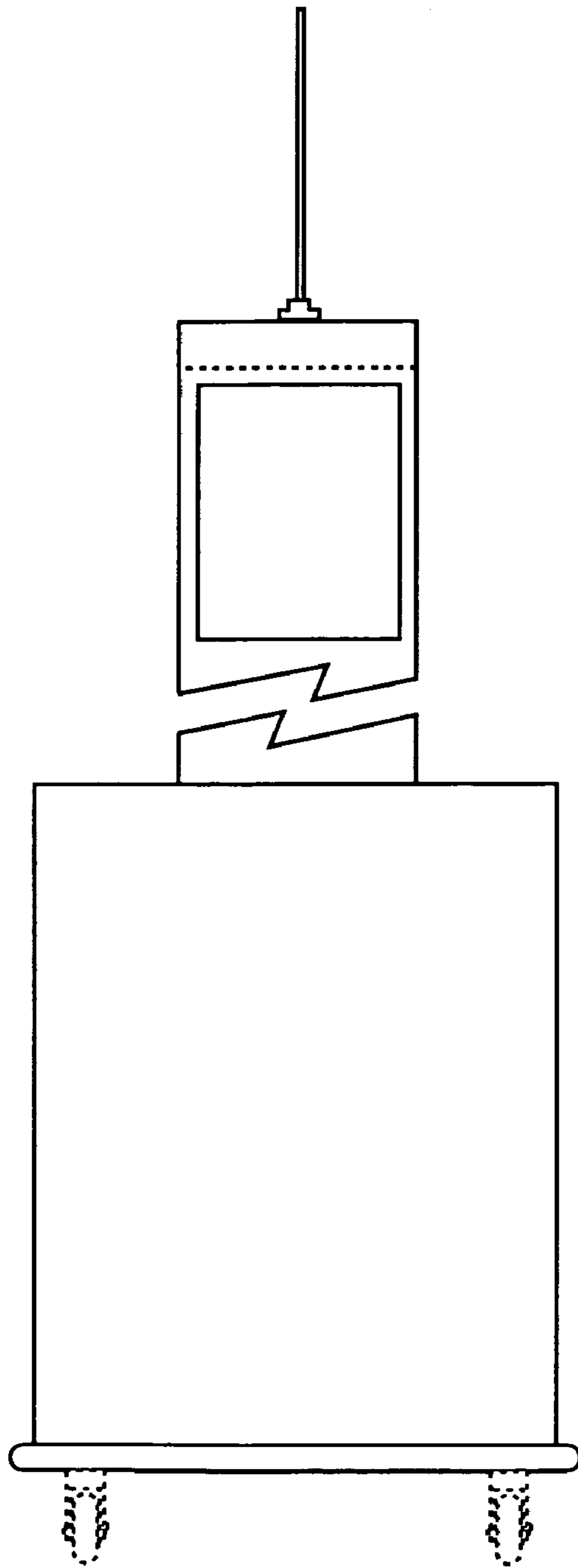


FIG. 4

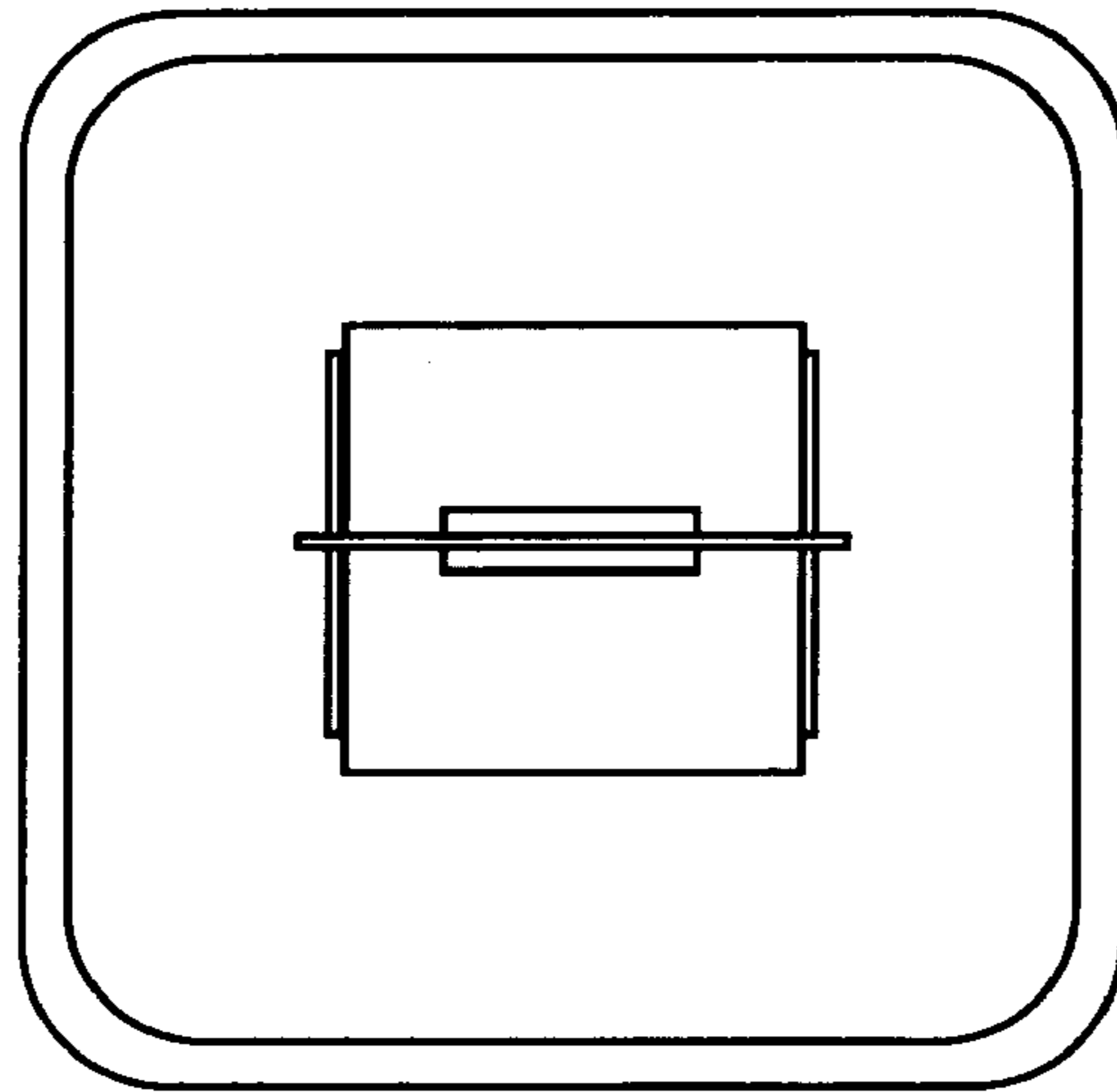


FIG. 5

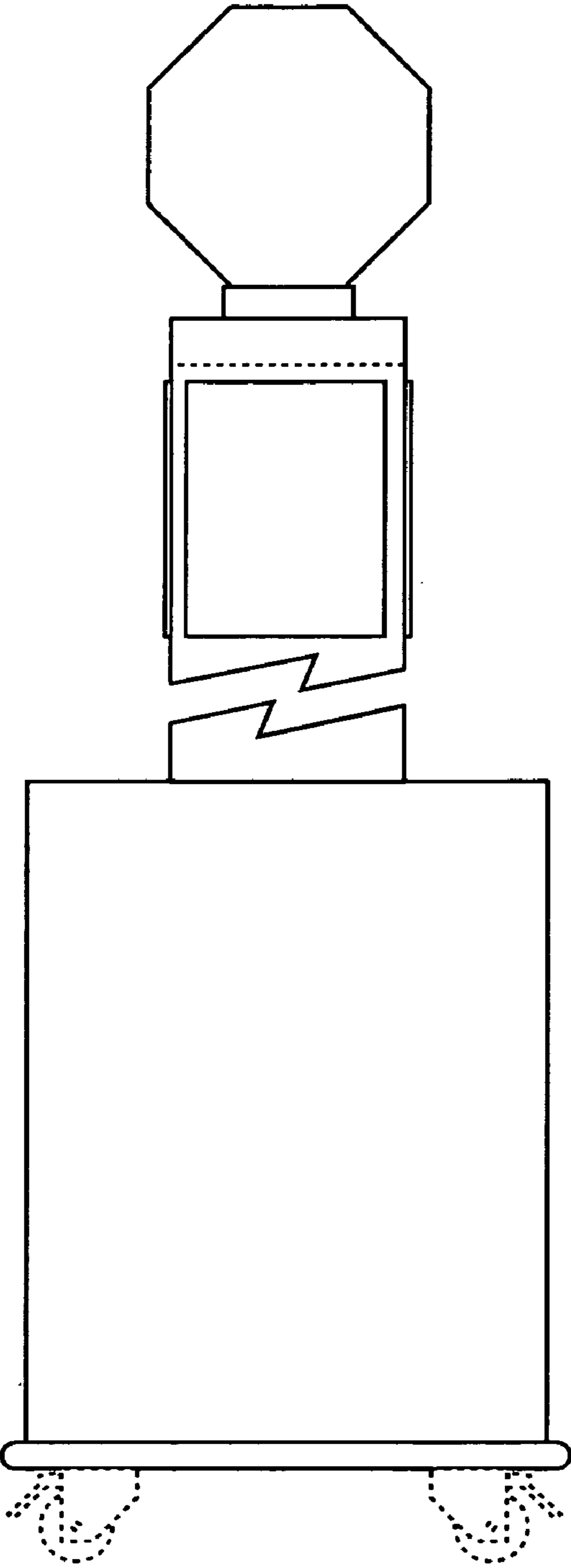


FIG. 6

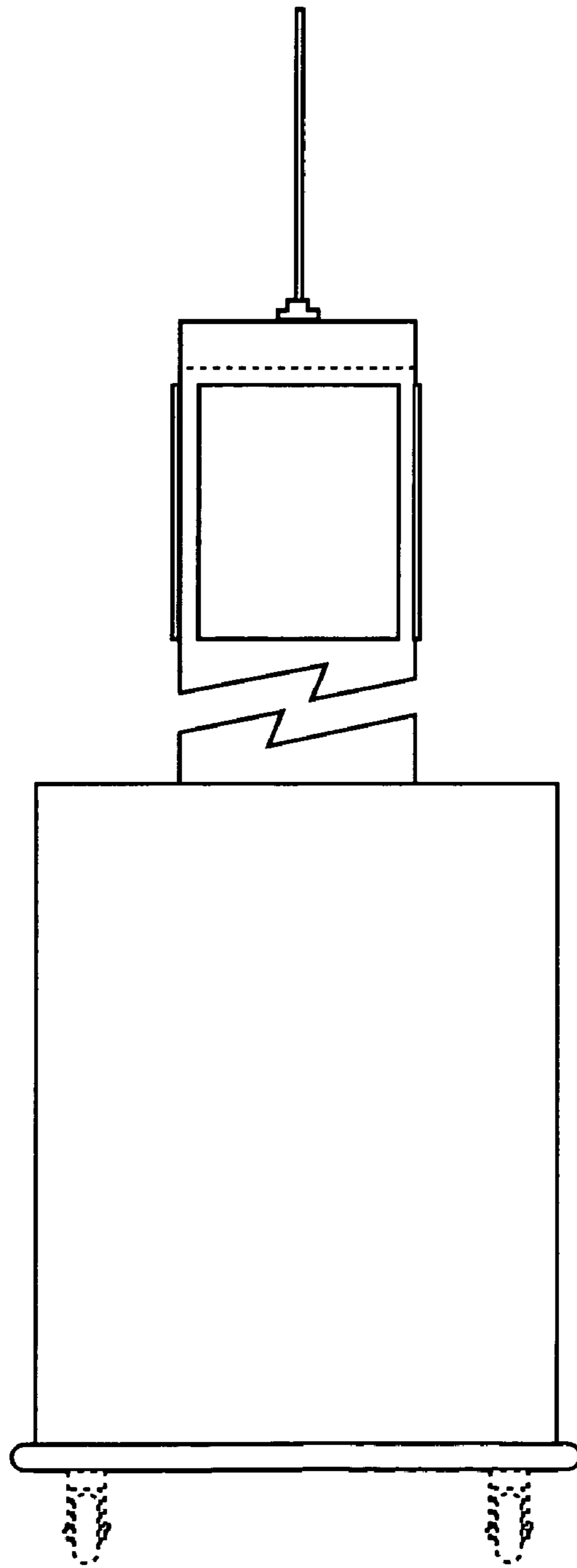


FIG. 7

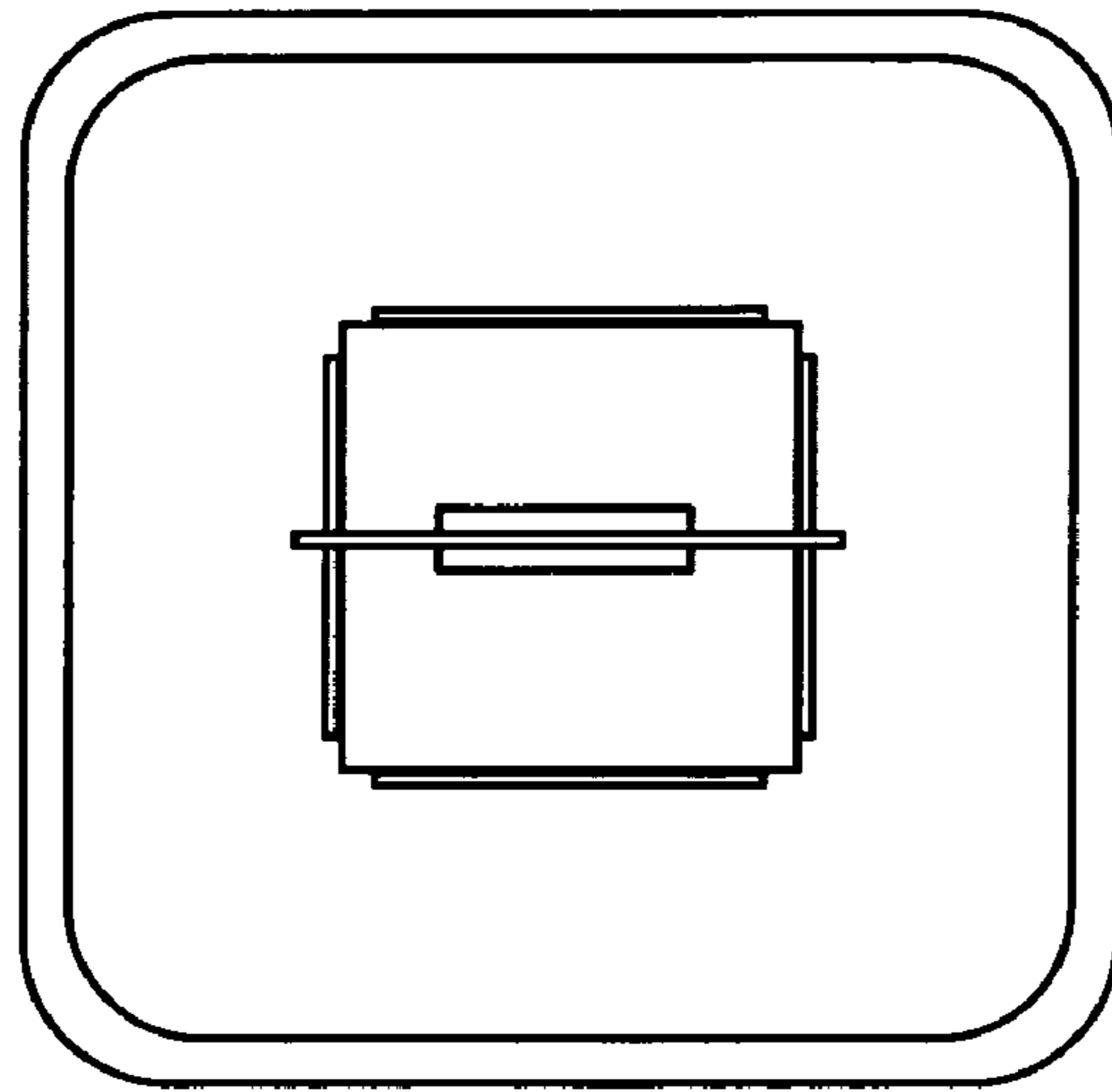


FIG. 8

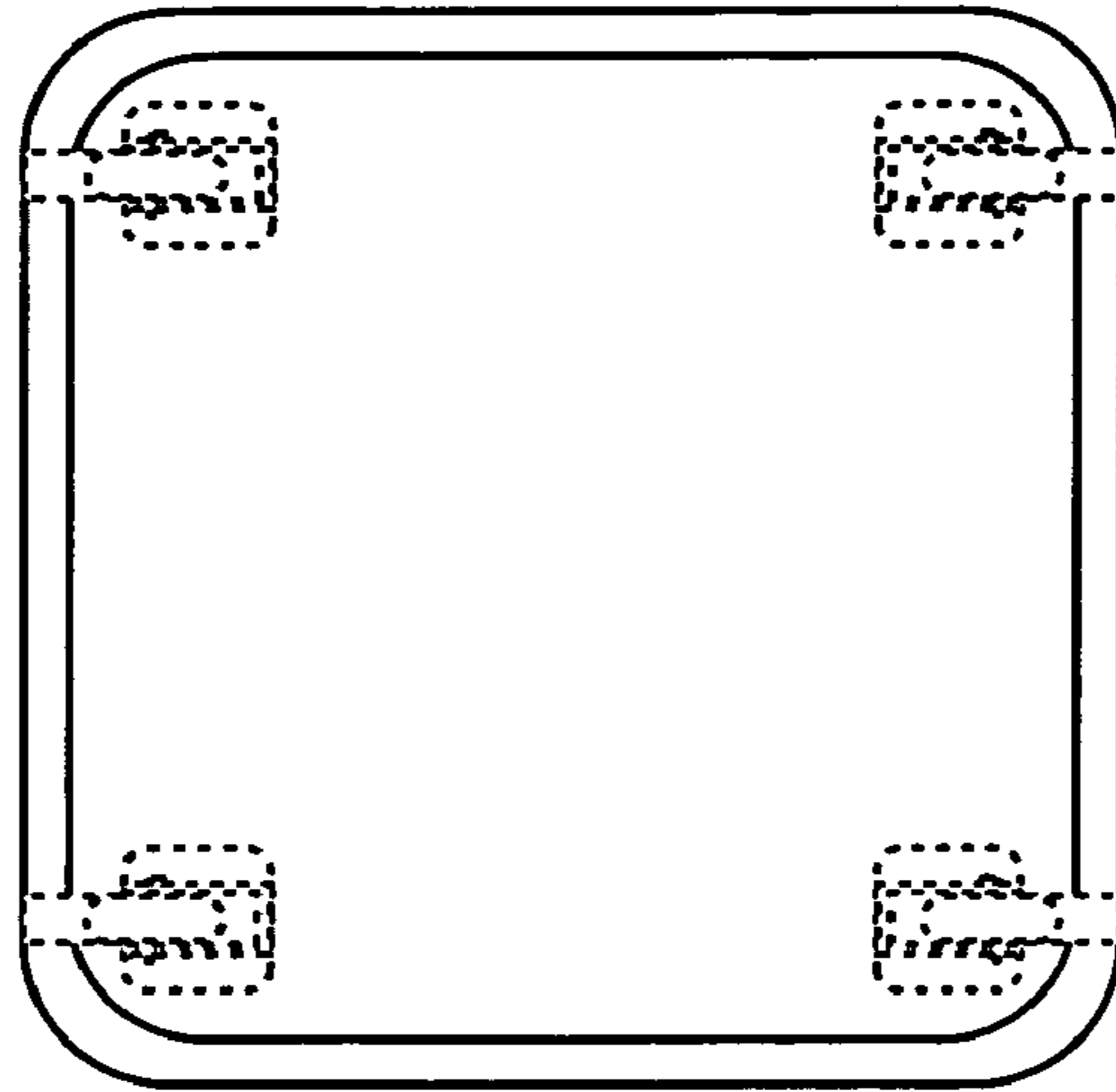


FIG. 9