



US00D663426S

(12) **United States Design Patent**
Davis, III

(10) **Patent No.:** **US D663,426 S**

(45) **Date of Patent:** **** *Jul. 10, 2012**

(54) **LEG AND FEET ELEVATOR**

(76) Inventor: **Thomas W. Davis, III**, Bethany, LA
(US)

(*) Notice: This patent is subject to a terminal disclaimer.

(**) Term: **14 Years**

(21) Appl. No.: **29/374,182**

(22) Filed: **Jul. 12, 2011**

D384,850 S *	10/1997	Fanuzzi	D6/601
D386,643 S *	11/1997	Farrell	D6/601
6,360,387 B1 *	3/2002	Everhart	5/630
D521,301 S *	5/2006	Dickson	D6/601
D539,066 S *	3/2007	Coquillet	D6/601
D543,064 S *	5/2007	Hale	D6/596
D543,407 S *	5/2007	Thom	D6/604
D565,734 S *	4/2008	Scott	D24/183
D573,830 S *	7/2008	Kalatsky	D6/601
D578,219 S *	10/2008	Daggett	D24/183
D584,820 S *	1/2009	Scott	D24/183
D606,355 S *	12/2009	Zhang	D6/601
D618,354 S *	6/2010	Francucci et al.	D24/183
D625,421 S *	10/2010	Sharps et al.	D24/184
D635,265 S *	3/2011	Coffey et al.	D24/183

* cited by examiner

Related U.S. Application Data

(63) Continuation-in-part of application No. 12/380,694, filed on Mar. 3, 2009.

(51) **LOC (9) Cl.** **24-01**

(52) **U.S. Cl.** **D24/183**

(58) **Field of Classification Search** D24/183-184, D24/213, 215, 200, 212, 190, 191; D6/502, D6/595, 596, 601, 604; 128/845, 869; 5/636-640, 5/644, 630; 297/452.41; D21/686
See application file for complete search history.

Primary Examiner — T. Chase Nelson

Assistant Examiner — Mark Cavanna

(74) *Attorney, Agent, or Firm* — R. Keith Harrison

(57) **CLAIM**

The ornamental design for a leg and feet elevator, as shown and described.

DESCRIPTION

FIG. 1 is a front perspective view of the leg and feet elevator; FIG. 2 is a right side view of the leg and feet elevator; FIG. 3 is a left side view of the leg and feet elevator; FIG. 4 is a top view of the leg and feet elevator; FIG. 5 is a bottom view of the leg and feet elevator; FIG. 6 is a rear view of the leg and feet elevator; and, FIG. 7 is a front view of the leg and feet elevator.

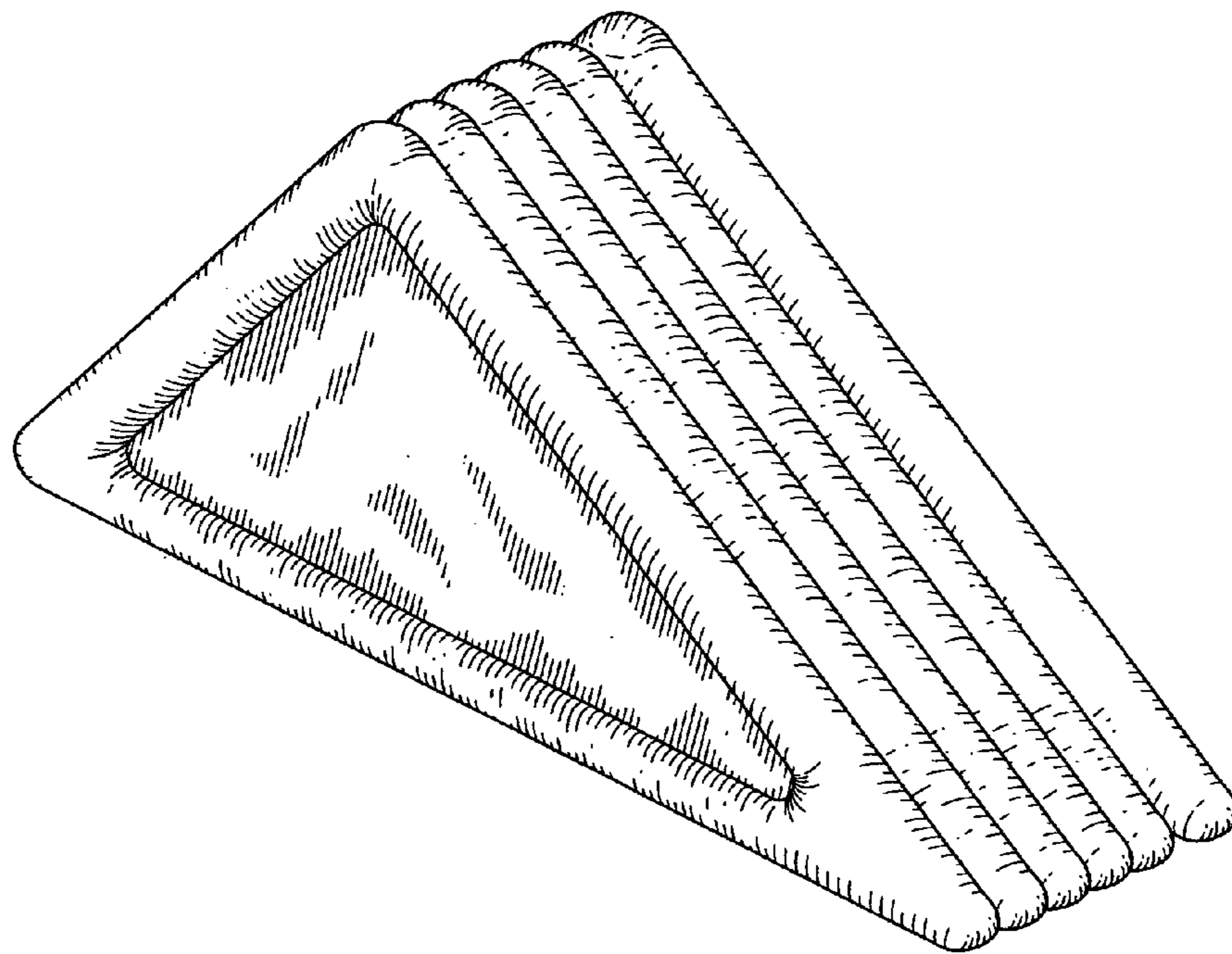
The broken lines are included for the purpose of illustrating portions of the leg and feet elevator that form no part of the claimed design.

1 Claim, 4 Drawing Sheets

(56) **References Cited**

U.S. PATENT DOCUMENTS

D246,816 S *	1/1978	Tam et al.	D6/596
4,484,781 A *	11/1984	Phelps	297/452.41
D336,134 S *	6/1993	Kalatsky	D24/190
D364,202 S *	11/1995	Benson	D21/686
D369,054 S *	4/1996	Straub et al.	D24/183
D369,934 S *	5/1996	Straub et al.	D6/596
D370,066 S *	5/1996	Kennemore	D24/183
D370,821 S *	6/1996	Mata	D6/601
D378,615 S *	3/1997	Neviaser et al.	D24/191



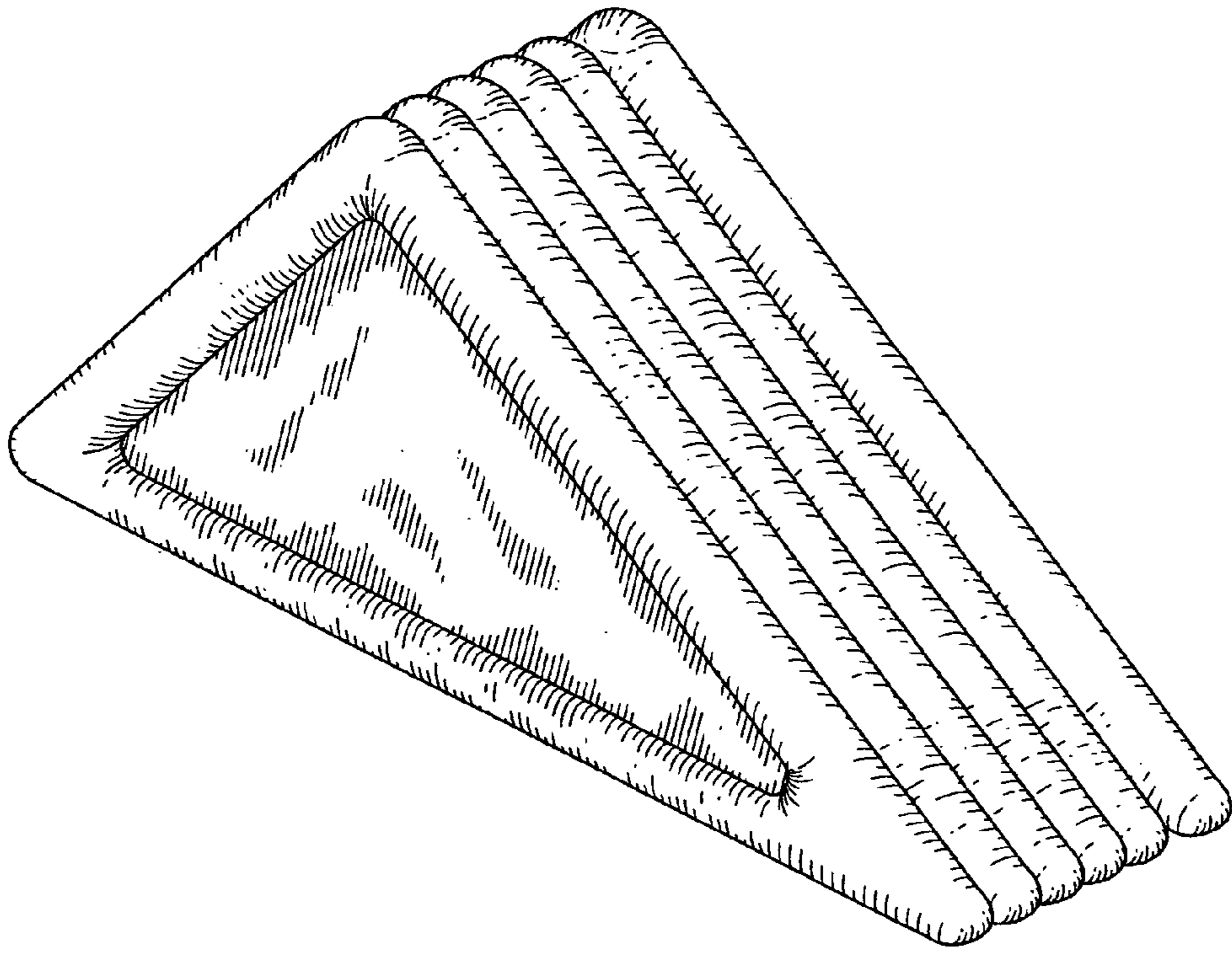


FIG. 1

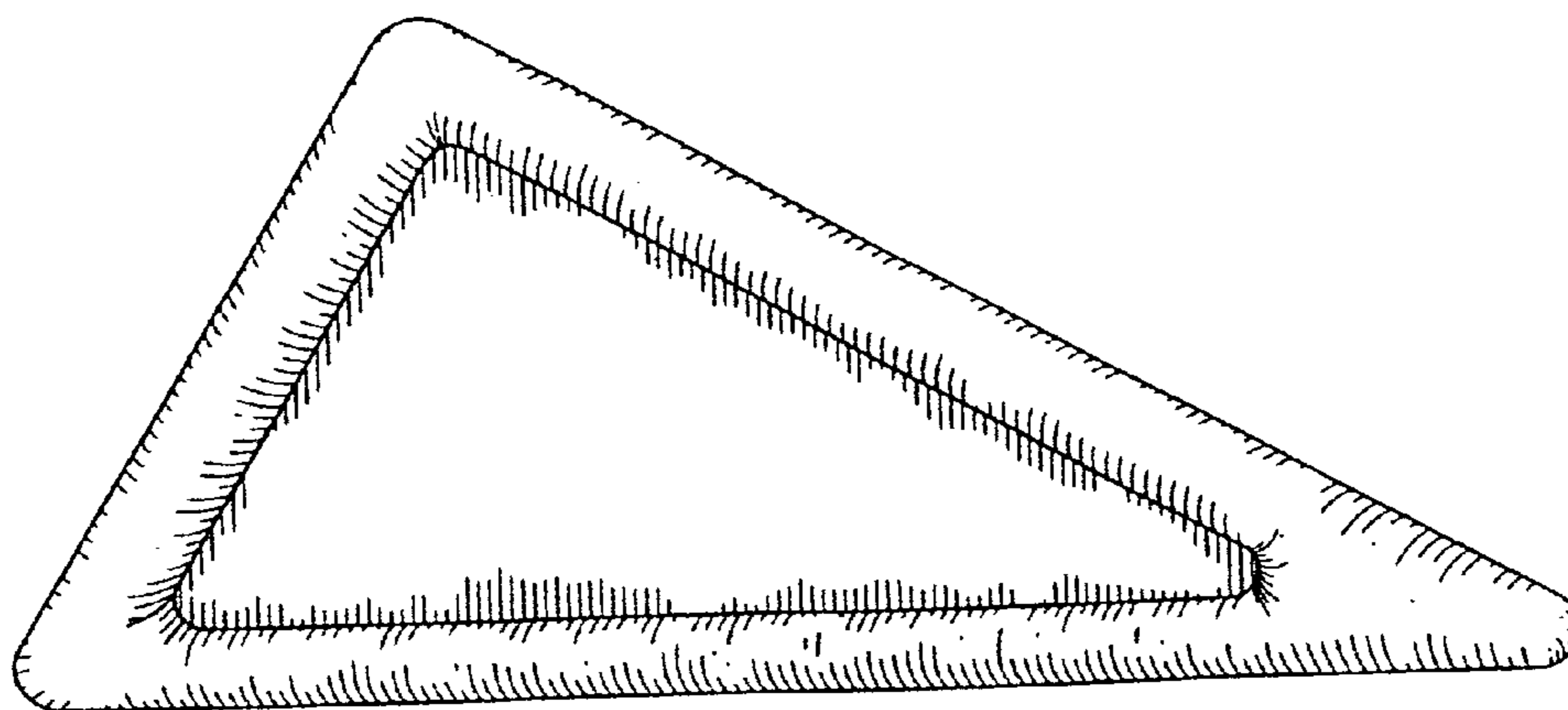


FIG. 2

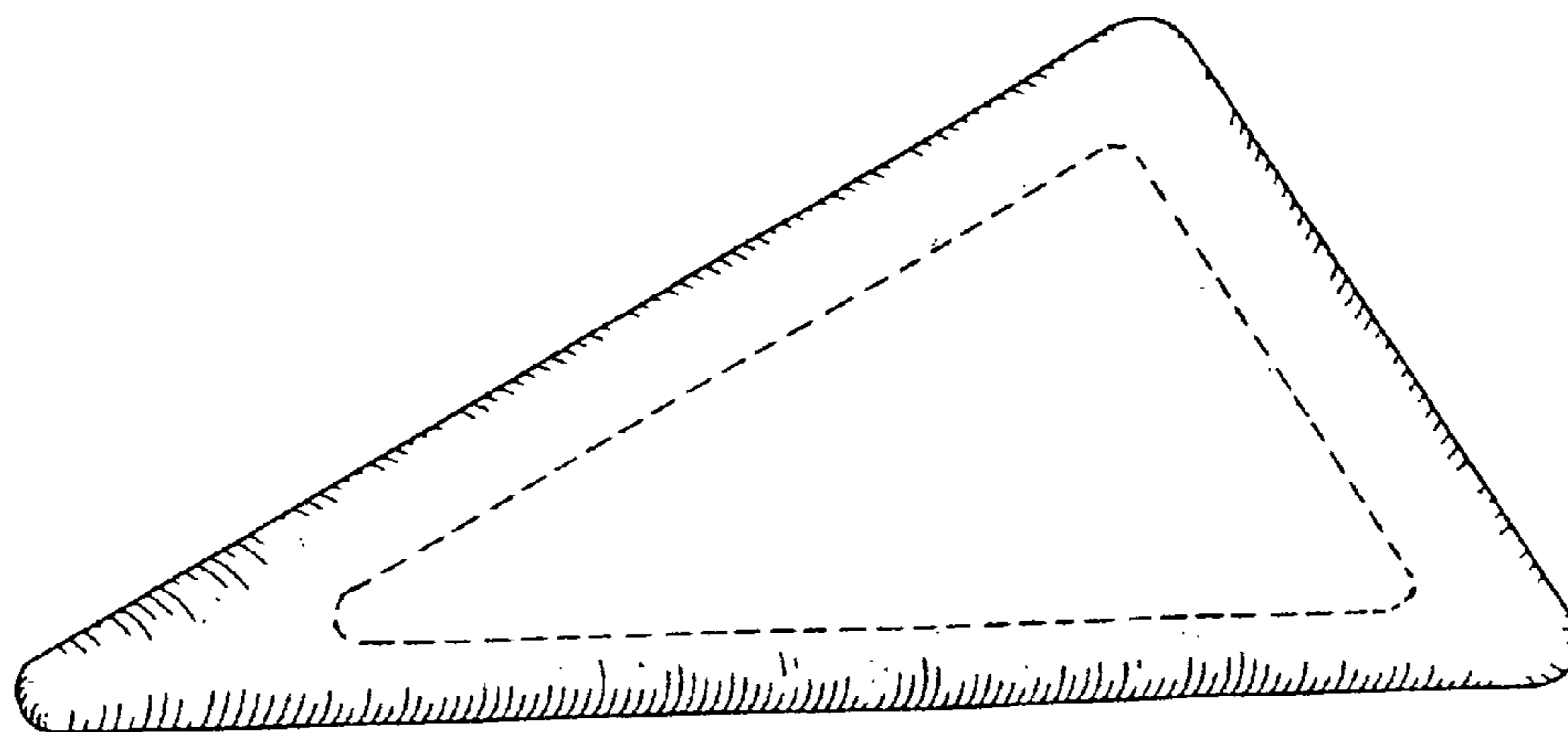


FIG. 3

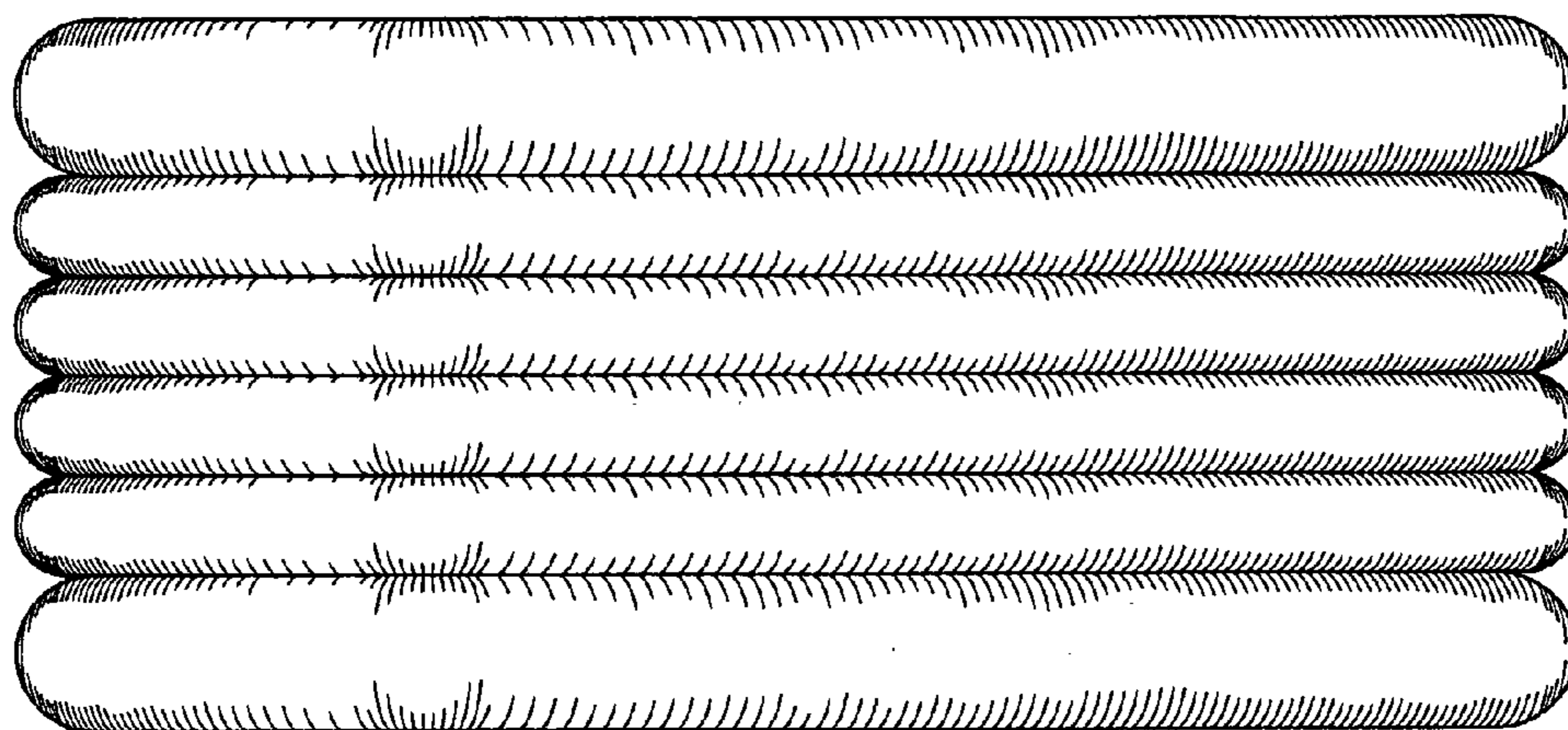


FIG. 4

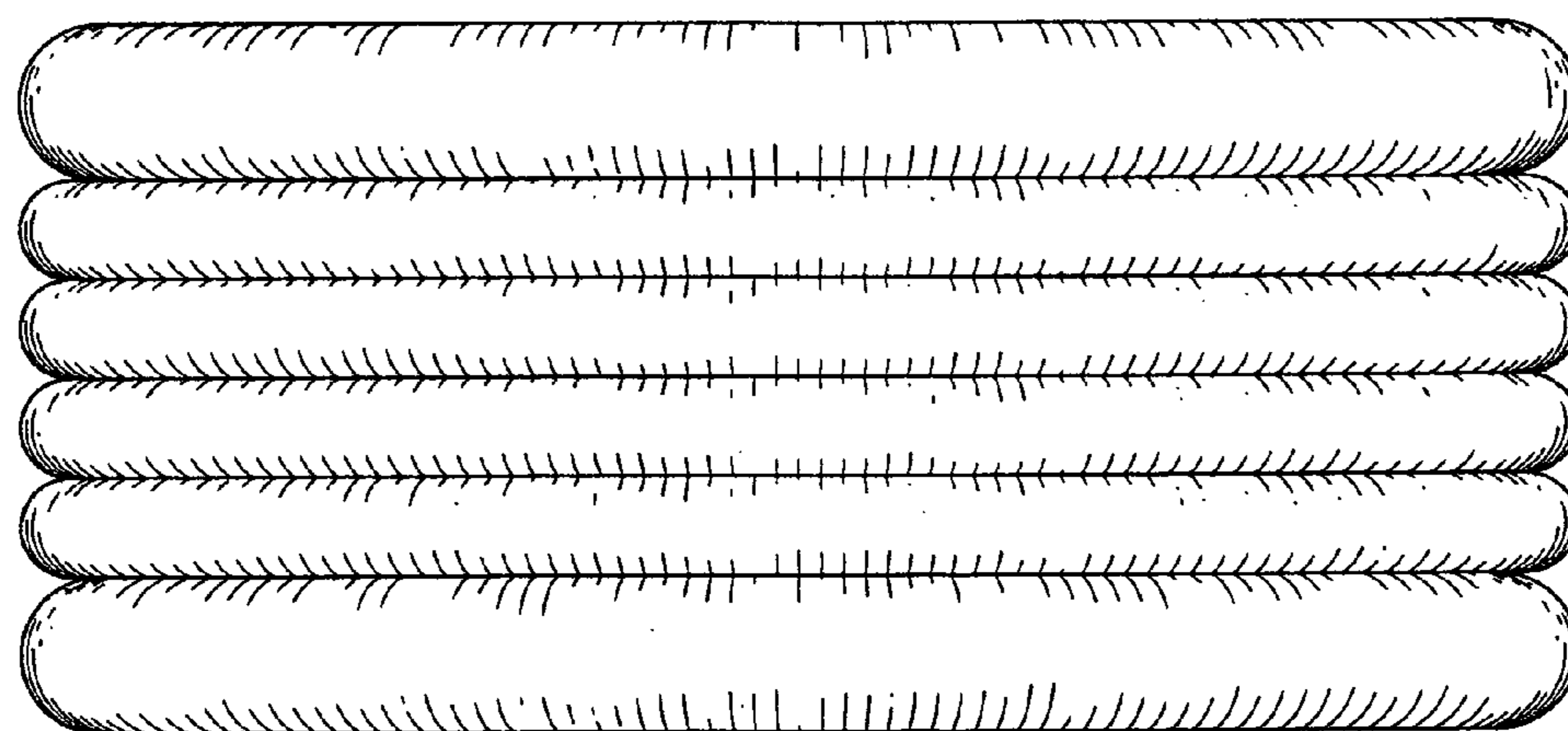


FIG. 5

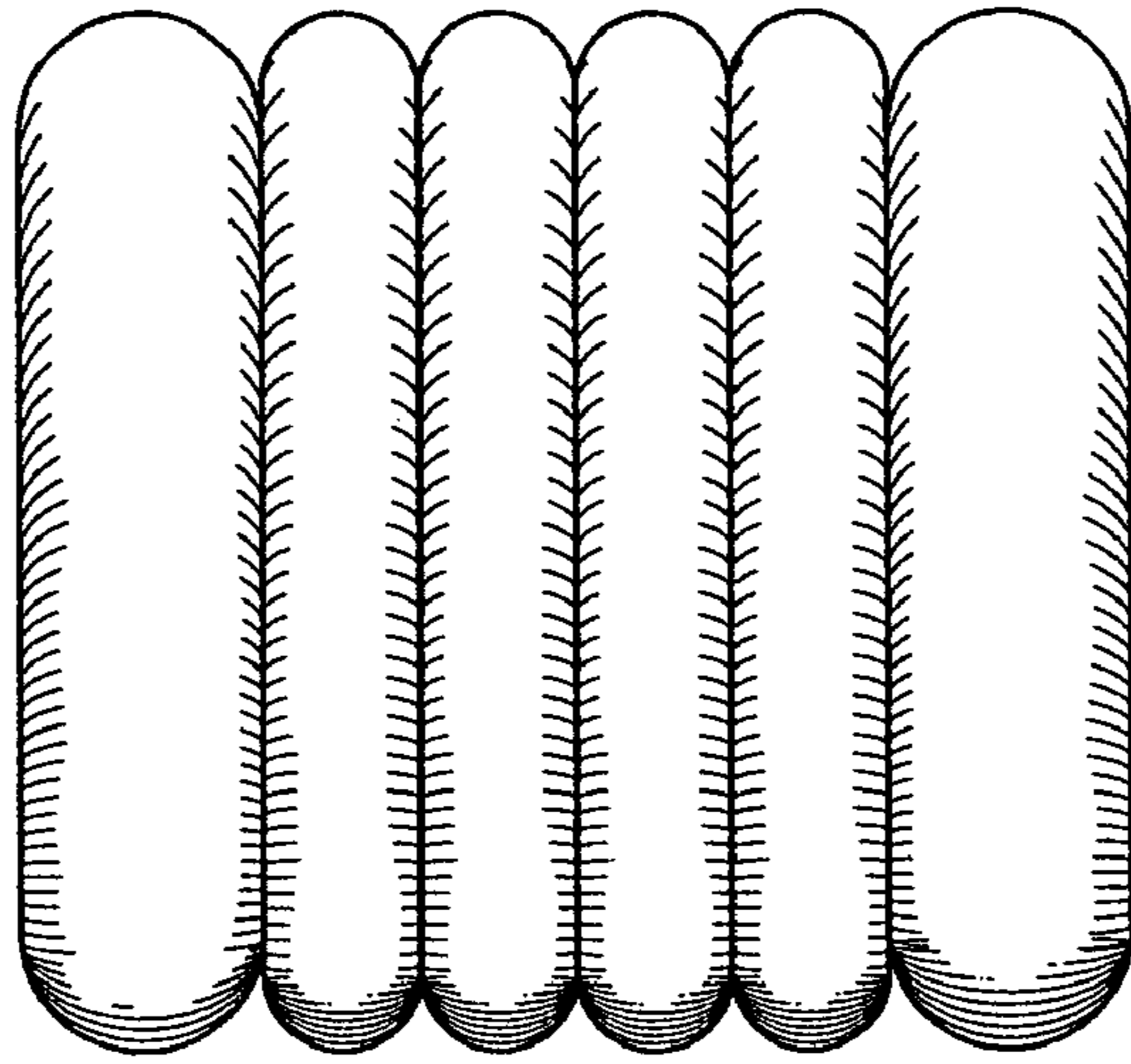


FIG. 6

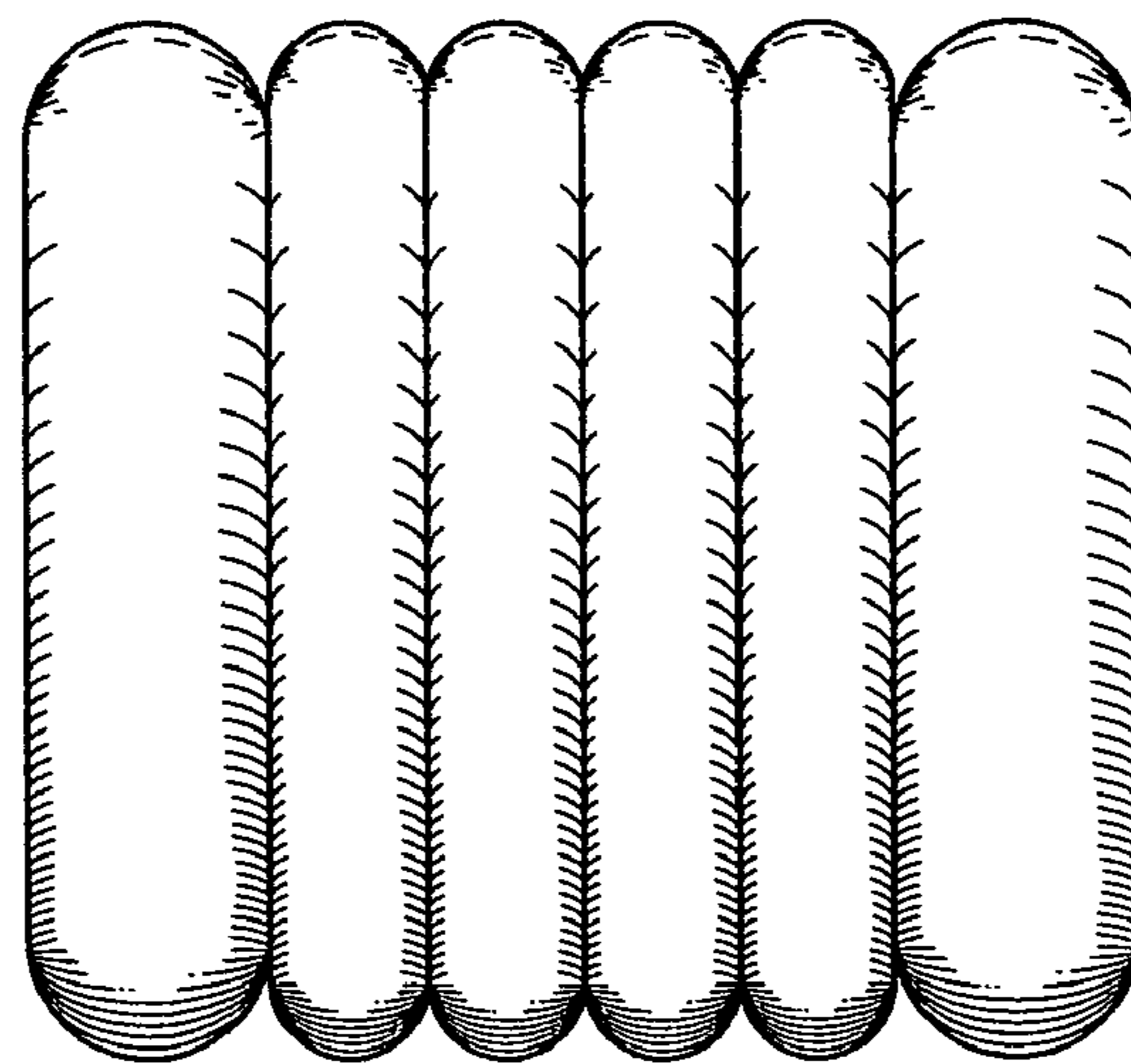


FIG. 7