



US00D663423S

(12) **United States Design Patent**
Kagawa

(10) **Patent No.:** **US D663,423 S**
(45) **Date of Patent:** **** Jul. 10, 2012**

(54) **CONTROLLER FOR DENTAL HANDPIECE**

(75) Inventor: **Takeshi Kagawa**, Kanuma (JP)

(73) Assignee: **Nakanishi Inc.**, Kanuma-shi (JP)

(**) Term: **14 Years**

(21) Appl. No.: **29/385,906**

(22) Filed: **Feb. 22, 2011**

(51) **LOC (9) Cl.** **24-02**

(52) **U.S. Cl.** **D24/177**

(58) **Field of Classification Search** D24/111,
D24/146, 152-154, 176-182, 221; D13/162,
D13/171, 184; 606/304, 74; 433/3, 29, 80,
433/82, 125-126, 147, 101, 224

See application file for complete search history.

(56) **References Cited**

U.S. PATENT DOCUMENTS

D204,983	S	*	6/1966	Stram	D24/177
D217,249	S	*	4/1970	Krantz	D24/177
D234,085	S	*	1/1975	Stralhammer	D24/179
4,243,388	A	*	1/1981	Arai	433/224
4,265,622	A	*	5/1981	Hasegawa	433/101
D267,745	S	*	1/1983	Seeley	D24/176
D318,113	S	*	7/1991	Moutafis et al.	D24/176
D425,988	S	*	5/2000	Frank	D24/152

6,482,008	B2	*	11/2002	Perdomini et al.	433/224
6,948,933	B2	*	9/2005	Oh	433/224
D555,244	S	*	11/2007	Nakanishi	D24/176
D605,296	S	*	12/2009	Hosey et al.	D24/177
D618,353	S	*	6/2010	Sanga	D24/177
D631,164	S	*	1/2011	Kagawa	D24/177
D631,549	S	*	1/2011	Kagawa	D24/177
2010/0109644	A1	*	5/2010	Pruckner et al.	433/80

* cited by examiner

Primary Examiner — Wan Laymon

(74) *Attorney, Agent, or Firm* — Jason D. Voight

(57) **CLAIM**

The ornamental design for a controller for dental handpiece, as shown and described.

DESCRIPTION

FIG. 1 is a front elevation of a controller for dental handpiece; FIG. 2 is a rear elevation thereof; FIG. 3 is a right side elevation thereof; FIG. 4 is a left side elevation thereof; FIG. 5 is a top plan view thereof; FIG. 6 is a bottom plan view thereof; and, FIG. 7 is a reduced perspective view thereof. Portions of the dental handpiece shown in broken lines form no part of the claimed design.

1 Claim, 3 Drawing Sheets

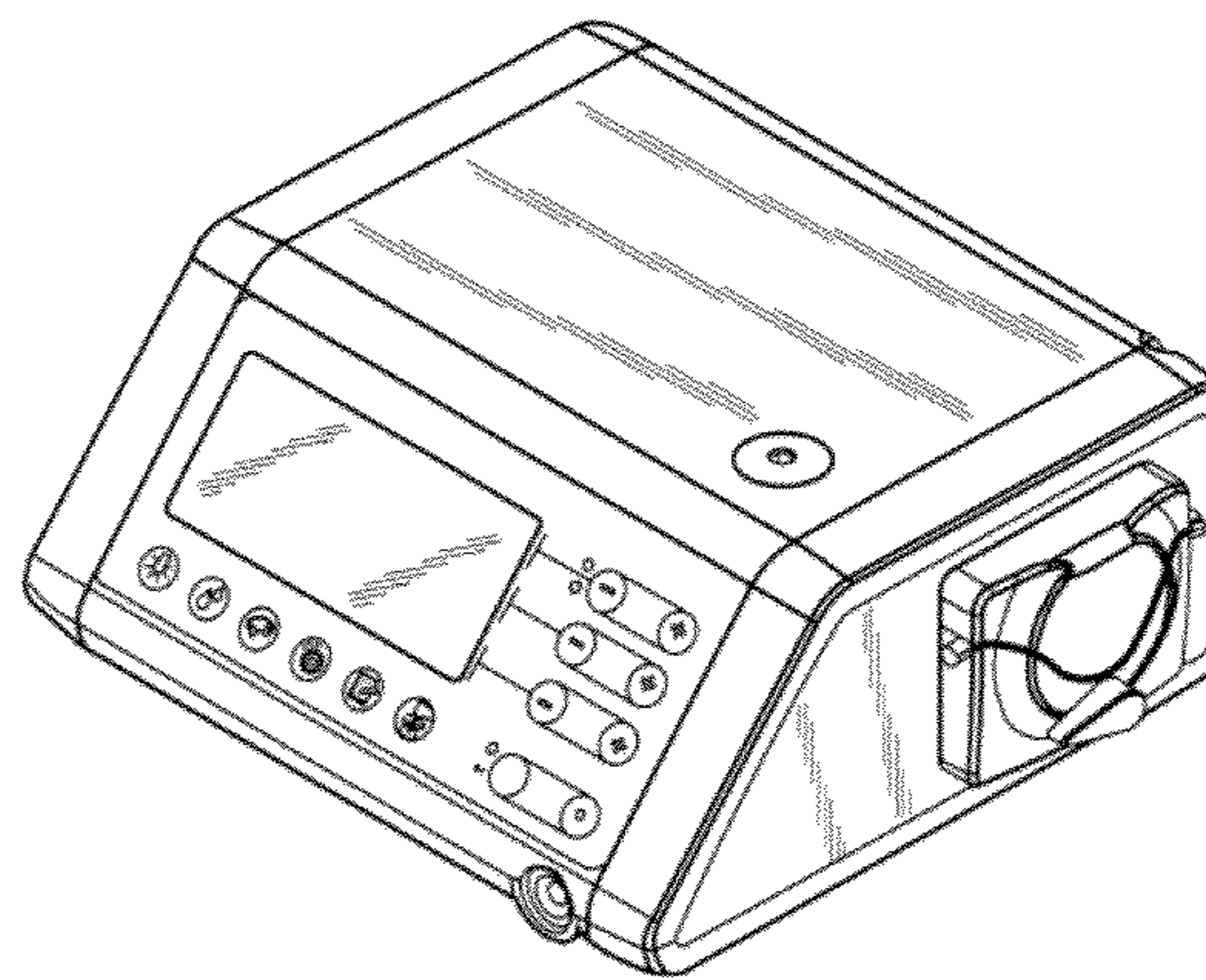
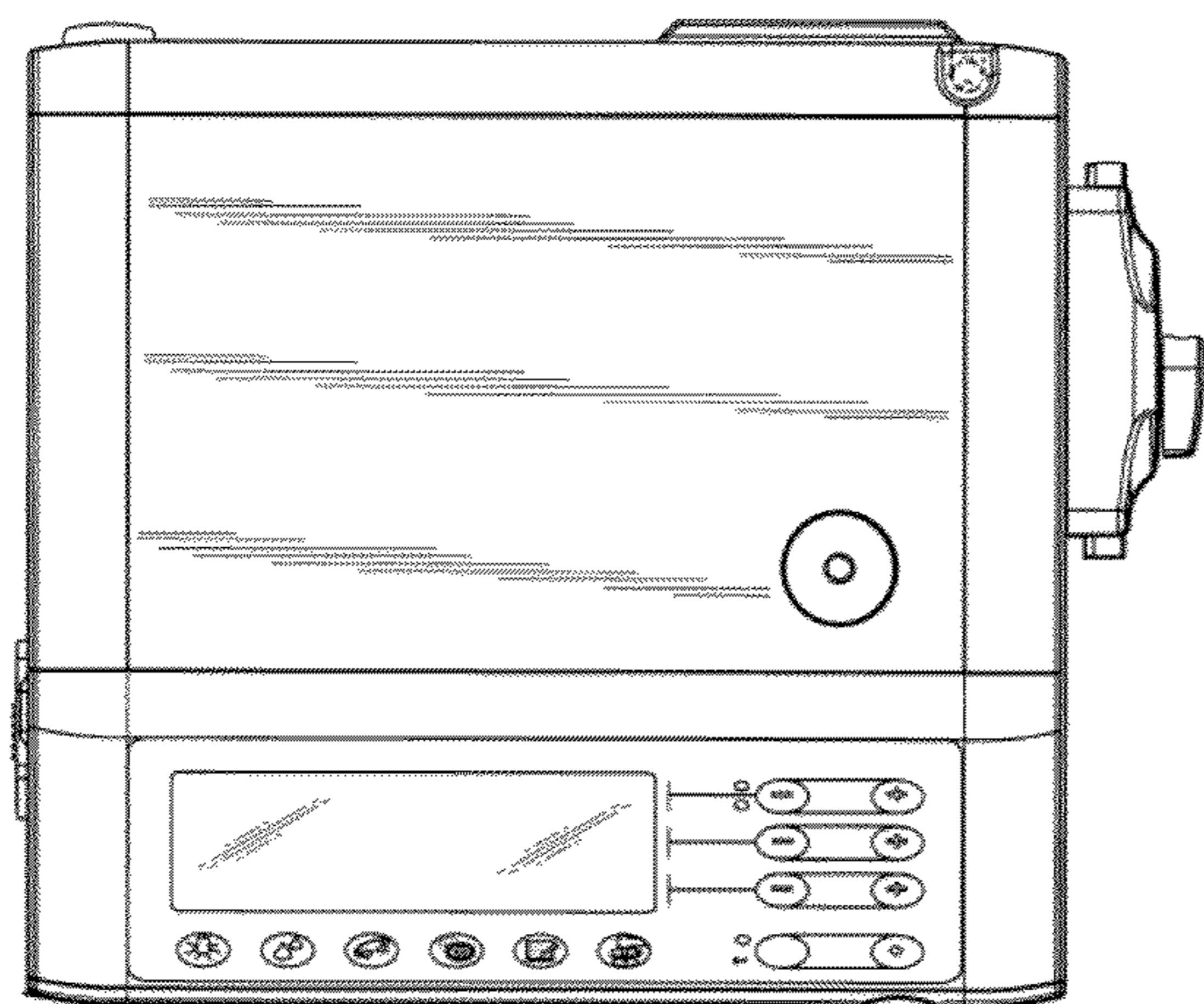


FIG. 1

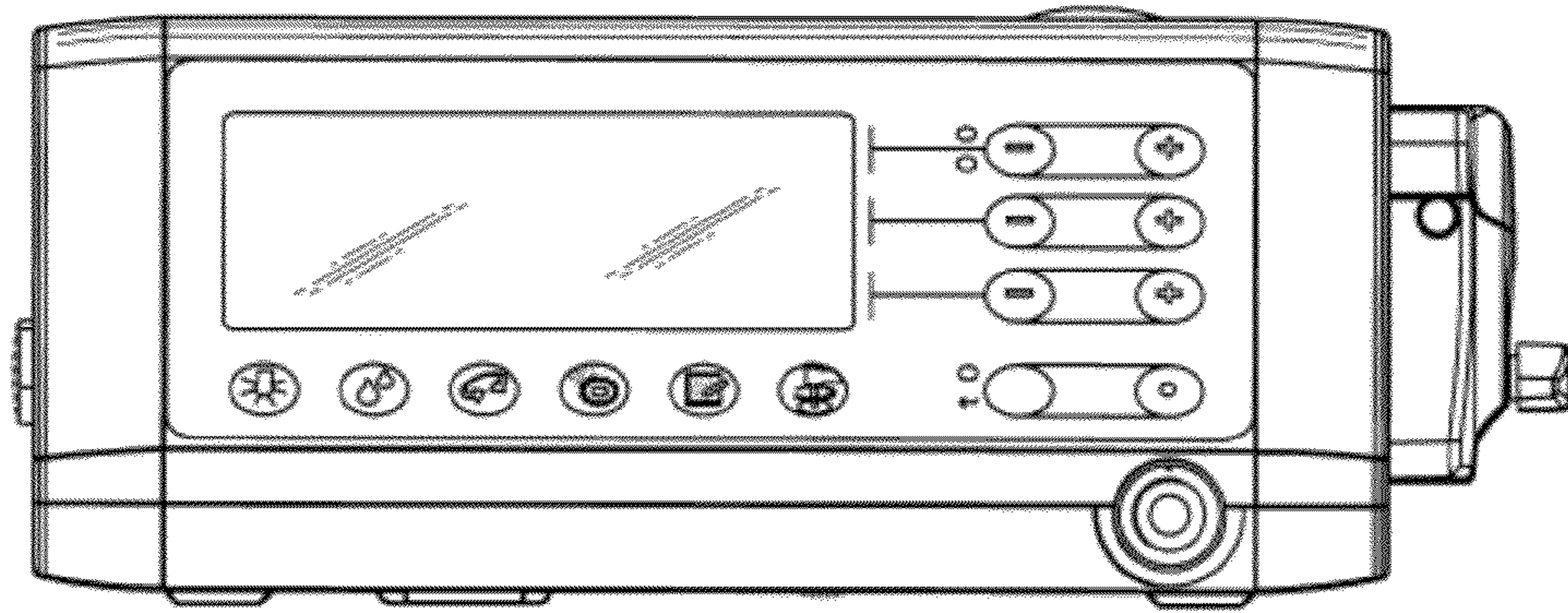


FIG. 2

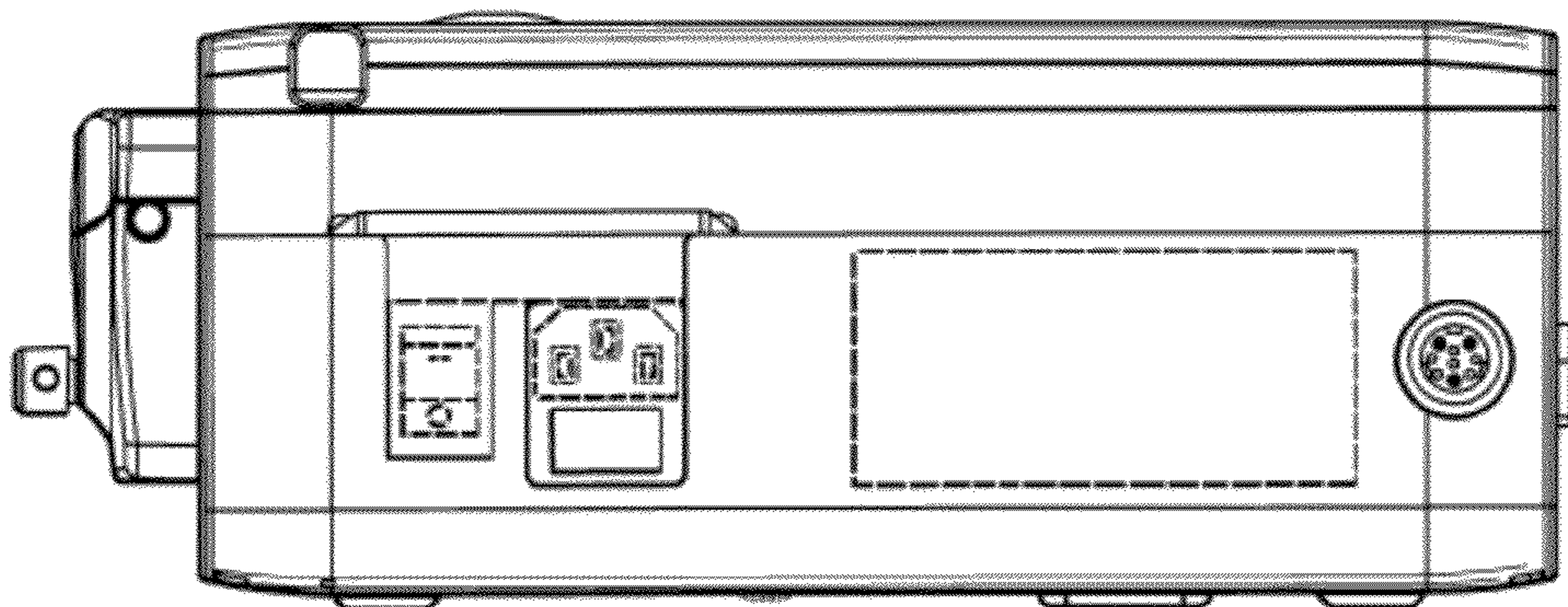


FIG. 3

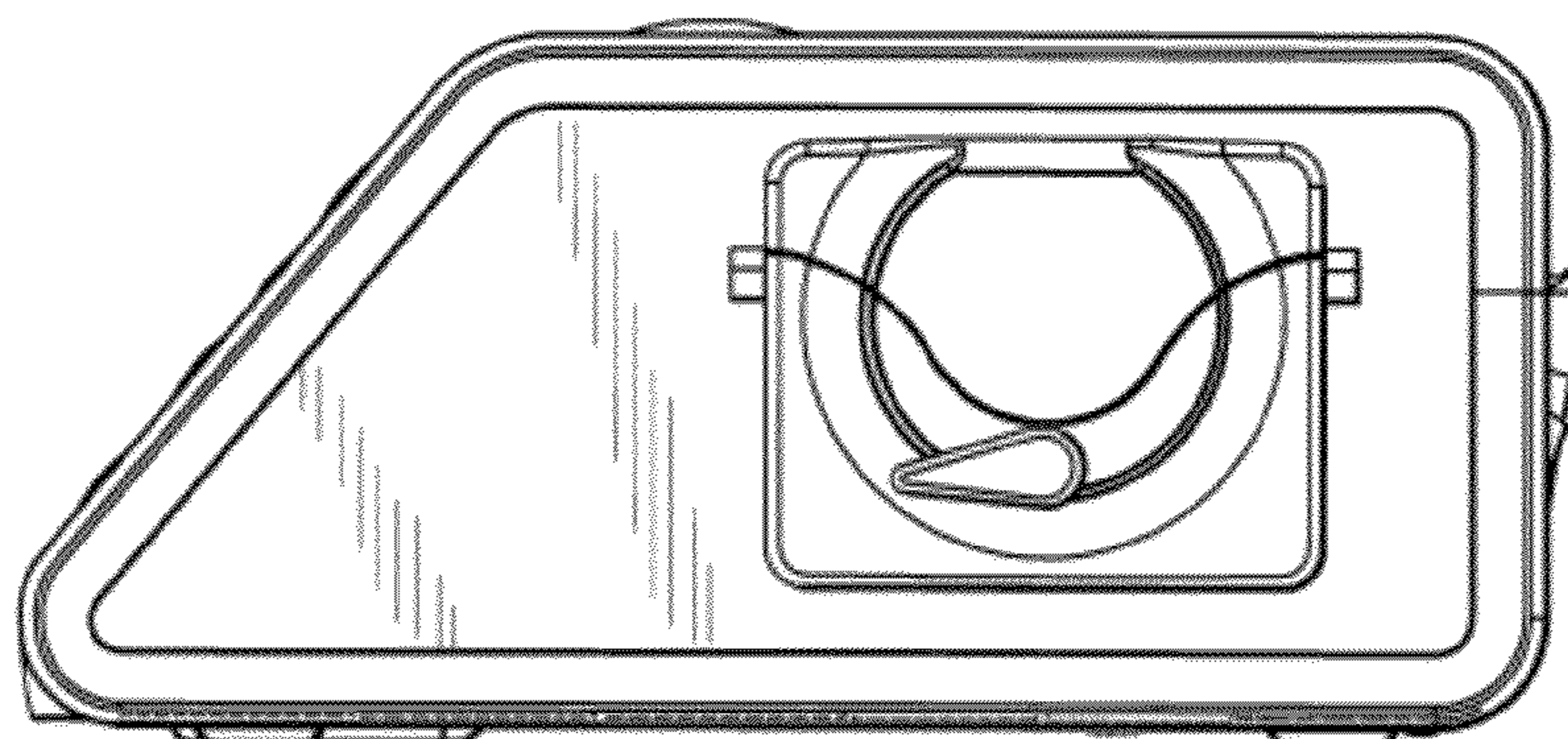


FIG. 4

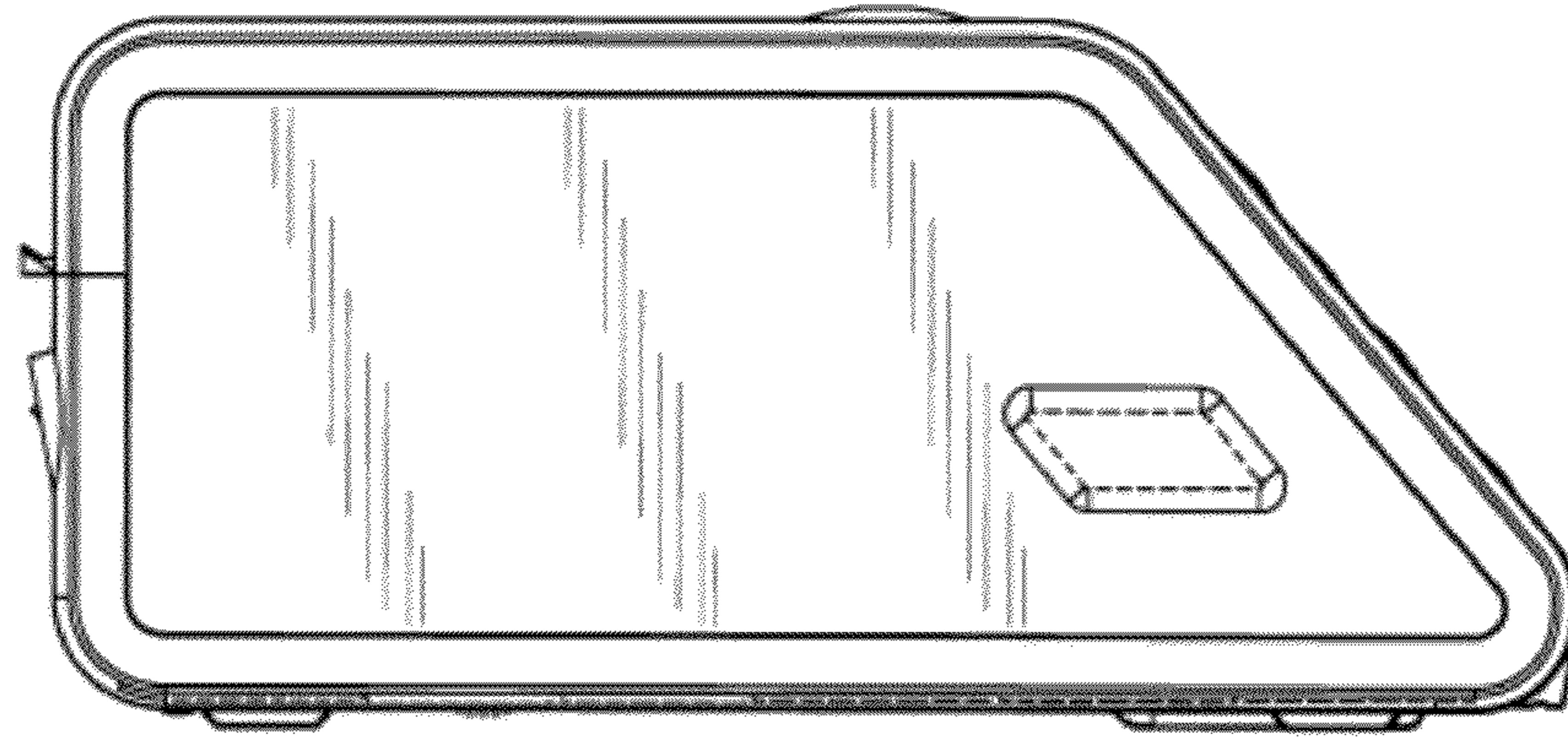


FIG. 5

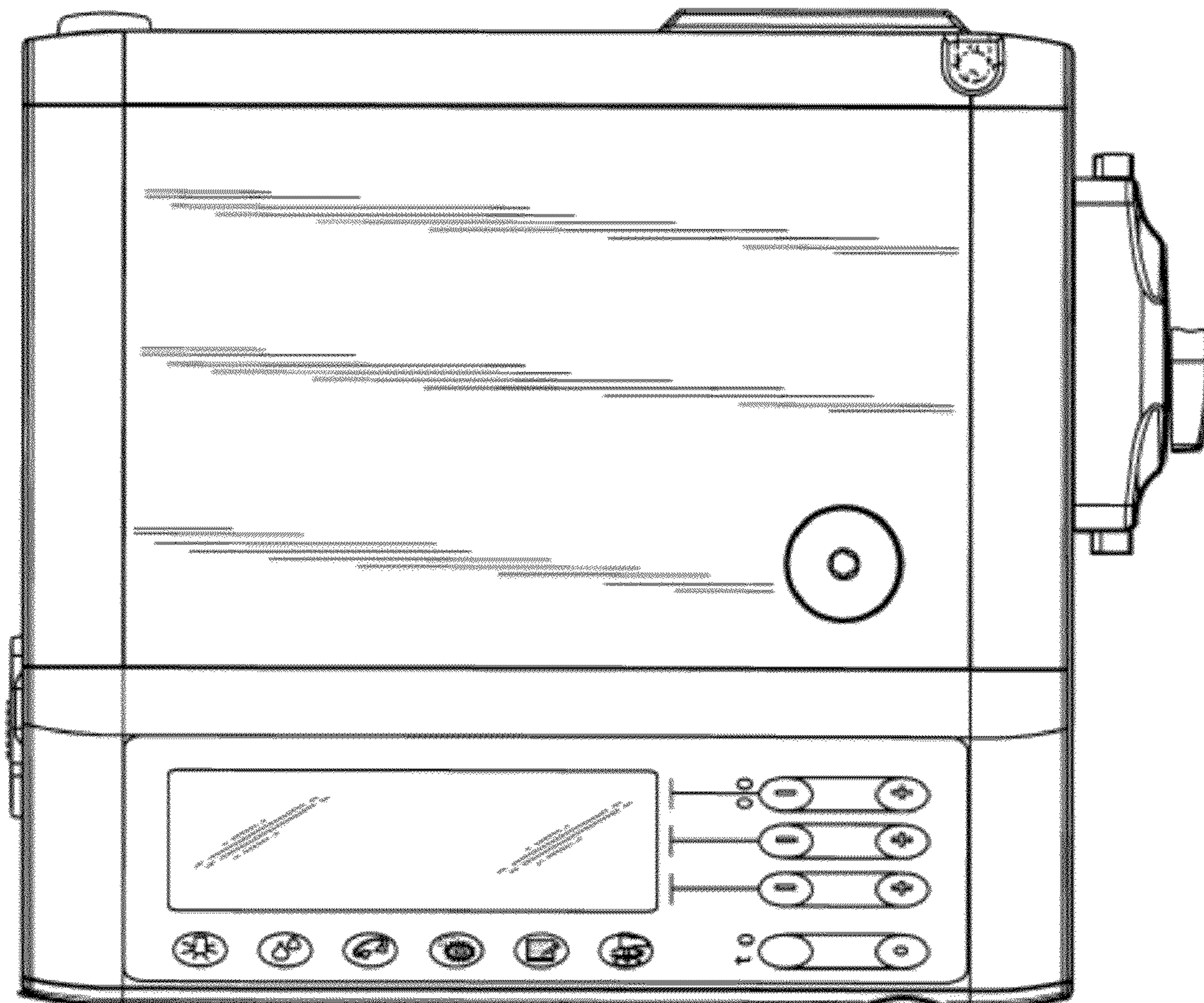


FIG. 6

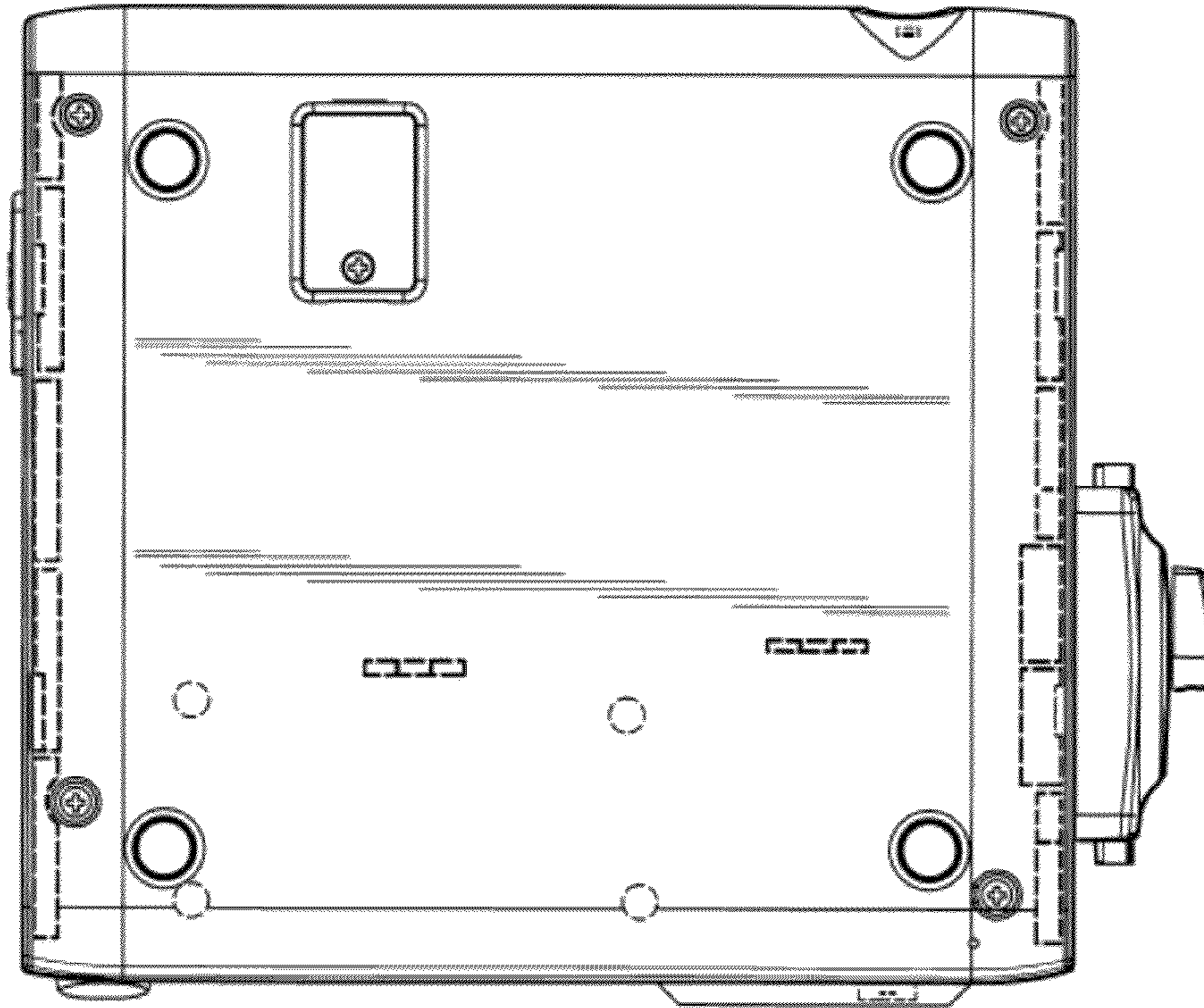


FIG. 7

