

US00D663422S

(12) **United States Design Patent**  
**Missanelli**

(10) **Patent No.:** **US D663,422 S**  
(45) **Date of Patent:** **\*\* Jul. 10, 2012**

(54) **FETAL PULSE OXIMETER CLIP**

(75) Inventor: **John S. Missanelli**, San Diego, CA (US)

(73) Assignee: **First Pulse Medical, Inc.**, San Diego, CA (US)

(\*\*) Term: **14 Years**

(21) Appl. No.: **29/388,169**

(22) Filed: **Mar. 24, 2011**

(51) **LOC (9) Cl.** ..... **24-01**

(52) **U.S. Cl.** ..... **D24/169**

(58) **Field of Classification Search** ..... D24/165-169,  
D24/107, 186, 216, 223, 231, 232; 600/316,  
600/322, 323, 347, 365, 368, 338; D8/395;  
24/500, 508, 509

See application file for complete search history.

(56) **References Cited**

**U.S. PATENT DOCUMENTS**

3,152,587	A	10/1964	Ullrich et al.	
3,810,460	A	5/1974	Van Nie	
D243,038	S *	1/1977	Ray	D24/167
D262,488	S *	12/1981	Rossman et al.	D24/168
4,334,544	A	6/1982	Hill et al.	
4,685,464	A	8/1987	Goldberger et al.	
4,938,218	A	7/1990	Goodman et al.	
5,099,842	A	3/1992	Mannheimer et al.	
5,109,849	A	5/1992	Goodman et al.	
5,218,962	A	6/1993	Mannheimer et al.	

(Continued)

**FOREIGN PATENT DOCUMENTS**

WO WO 98/29035 7/1998

(Continued)

**OTHER PUBLICATIONS**

Barker et al. "The effects of motion on the performance of pulse oximeters in volunteers." *Anesthesiology* 86(1):101-108 (1997).

(Continued)

*Primary Examiner* — Anhdao Doan

(74) *Attorney, Agent, or Firm* — Mintz, Levin, Cohn, Ferris, Glovsky and Popeo, P.C.

(57) **CLAIM**

The ornamental design for a fetal pulse oximeter clip, as shown and described.

**DESCRIPTION**

FIG. 1 is a perspective view of a fetal pulse oximeter clip incorporating the design as part of the clip;

FIG. 2 is a side elevational view of the oximeter clip shown in FIG. 1;

FIG. 3 is a side elevational view of the oximeter clip shown in FIG. 1;

FIG. 4 is a top plan view of the oximeter clip shown in FIG. 1;

FIG. 5 is a bottom plan view of the oximeter clip shown in FIG. 1;

FIG. 6 is a rear elevational view of the oximeter clip shown in FIG. 1;

FIG. 7 is a front elevational view of the oximeter clip shown in FIG. 1;

FIG. 8 is a perspective view of the oximeter clip shown in FIG. 1 when in an open configuration;

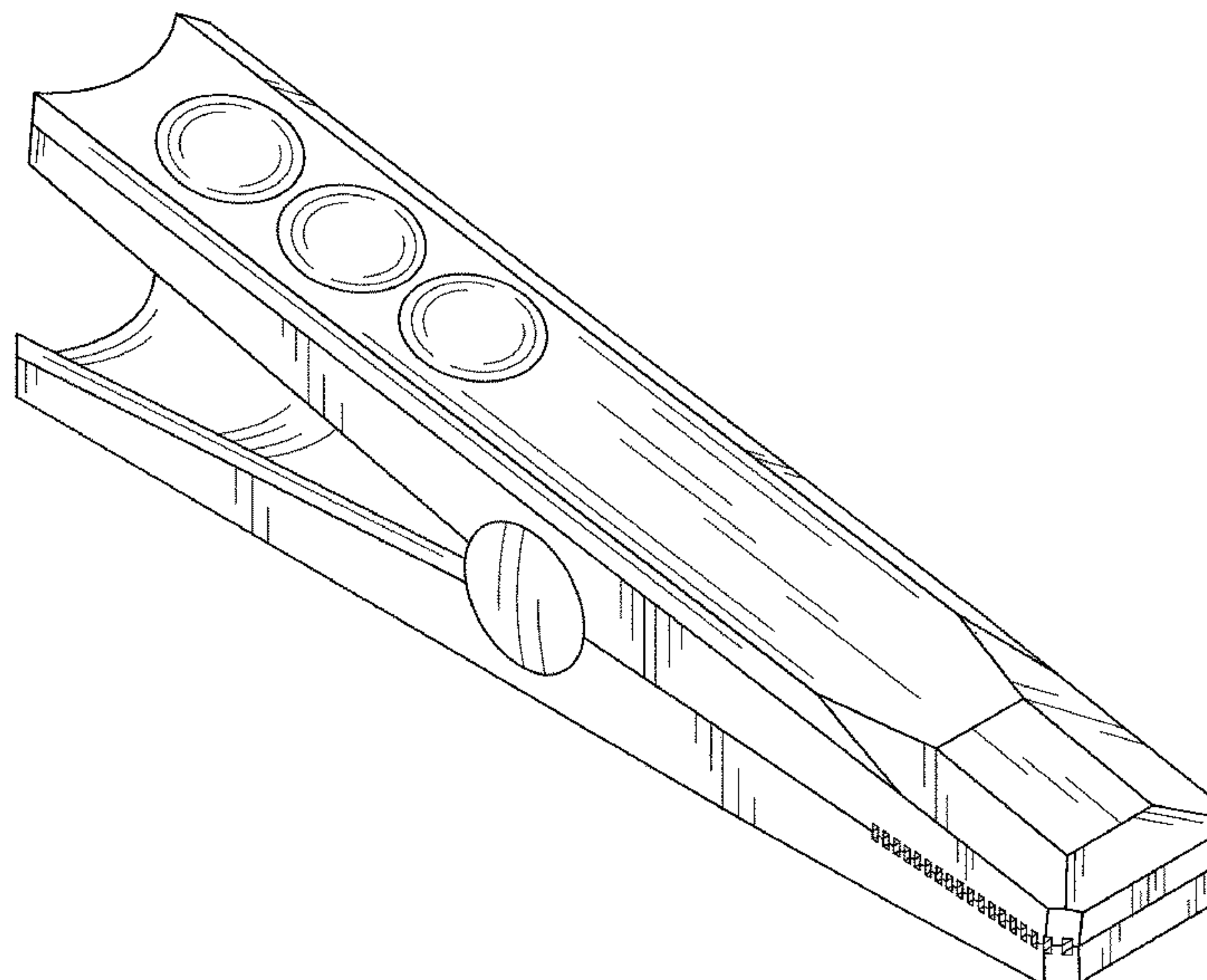
FIG. 9 is a side elevational view of the oximeter clip shown in FIG. 1 when in an open configuration;

FIG. 10 is a front elevational view of the oximeter clip shown in FIG. 1 when in an open configuration; and,

FIG. 11 is a rear elevational view of the oximeter clip shown in FIG. 1 when in an open configuration.

The broken lines in drawing views are included for the purpose of illustrating portions of the fetal pulse oximeter clip that form no part of the claimed design.

**1 Claim, 9 Drawing Sheets**



# US D663,422 S

## U.S. PATENT DOCUMENTS

5,228,440	A	7/1993	Chung et al.	
5,247,932	A	9/1993	Chung et al.	
D356,870	S *	3/1995	Ivers et al. ....	D24/164
5,411,024	A	5/1995	Thomas et al.	
5,419,322	A	5/1995	Joseph et al.	
5,438,986	A	8/1995	Disch et al.	
5,665,477	A	9/1997	Meathrel et al.	
5,743,260	A	4/1998	Chung et al.	
5,746,212	A	5/1998	Rall et al.	
5,776,058	A	7/1998	Levinson et al.	
5,782,237	A	7/1998	Casciani et al.	
5,782,756	A	7/1998	Mannheimer	
5,792,052	A *	8/1998	Isaacson et al. ....	600/323
5,810,724	A	9/1998	Gronvall	
5,813,980	A	9/1998	Levinson et al.	
5,839,439	A	11/1998	Nierlich et al.	
5,891,025	A	4/1999	Buschmann et al.	
5,916,155	A	6/1999	Levinson et al.	
5,917,919	A	6/1999	Rosenthal	
5,935,061	A	8/1999	Acker et al.	
5,957,840	A	9/1999	Terasawa et al.	
5,960,610	A	10/1999	Levinson et al.	
5,961,452	A	10/1999	Chung et al.	
5,984,861	A	11/1999	Crowley	
6,096,065	A	8/2000	Crowley	
6,119,031	A	9/2000	Crowley	
6,178,343	B1	1/2001	Bindszus et al.	
6,201,978	B1	3/2001	Buschmann	
6,272,363	B1	8/2001	Casciani et al.	
6,285,896	B1	9/2001	Tobler et al.	
6,339,715	B1	1/2002	Bahr et al.	
6,370,409	B1	4/2002	Chung et al.	
6,453,183	B1	9/2002	Walker	
6,658,277	B2	12/2003	Wasserman	
6,662,033	B2	12/2003	Casciani et al.	
6,671,530	B2	12/2003	Chung et al.	
6,711,425	B1	3/2004	Reuss	
6,801,799	B2	10/2004	Mendelson	
6,839,580	B2	1/2005	Zonios et al.	
7,006,856	B2	2/2006	Baker, Jr. et al.	
7,027,850	B2	4/2006	Wasserman	
7,047,055	B2	5/2006	Boas et al.	
7,048,687	B1	5/2006	Reuss et al.	
7,060,035	B2	6/2006	Wasserman	
7,254,434	B2	8/2007	Schulz et al.	
7,349,726	B2	3/2008	Casciani et al.	
7,376,454	B2	5/2008	Casciani et al.	
D571,179	S *	6/2008	Ahlgren .....	D8/395

7,415,298	B2	8/2008	Casciani et al.	
7,469,158	B2	12/2008	Cutler et al.	
7,477,924	B2	1/2009	Chin	
7,483,731	B2	1/2009	Hoarau et al.	
7,486,979	B2	2/2009	Matlock	
7,499,740	B2	3/2009	Nordstrom et al.	
7,522,948	B2	4/2009	Chin	
7,534,212	B2	5/2009	Baker, Jr.	
7,555,327	B2	6/2009	Matlock	
7,574,244	B2	8/2009	Eghbal et al.	
7,574,245	B2	8/2009	Arizaga Ballesteros	
7,590,439	B2	9/2009	Raridan et al.	
7,647,084	B2	1/2010	Eghbal et al.	
7,650,177	B2	1/2010	Hoarau et al.	
7,657,294	B2	2/2010	Eghbal et al.	
7,657,295	B2	2/2010	Coakley et al.	
7,657,296	B2	2/2010	Raridan et al.	
7,676,253	B2	3/2010	Raridan, Jr.	
7,684,842	B2	3/2010	Ollerdessen	
7,684,843	B2	3/2010	Coakley et al.	
7,693,559	B2	4/2010	Raridan et al.	
7,720,516	B2	5/2010	Chin et al.	
7,725,146	B2	5/2010	Li et al.	
7,725,147	B2	5/2010	Li et al.	
7,729,736	B2	6/2010	Raridan, Jr.	
7,738,937	B2	6/2010	Coakley et al.	
7,753,902	B1	7/2010	Mansour et al.	
7,796,403	B2	9/2010	Coakley	
7,811,279	B2	10/2010	John	
7,865,223	B1	1/2011	Bernreuter	
7,869,849	B2	1/2011	Ollerdessen et al.	
7,869,850	B2	1/2011	Hoarau et al.	
8,073,518	B2 *	12/2011	Chin .....	600/323
8,082,017	B2 *	12/2011	Messerges et al. ....	600/323
2003/0212316	A1 *	11/2003	Leiden et al. ....	600/323
2007/0027376	A1 *	2/2007	Todokoro et al. ....	600/344
2011/0004082	A1 *	1/2011	Poeze et al. ....	600/323
2011/0118576	A1	5/2011	Eghesady et al.	

## FOREIGN PATENT DOCUMENTS

WO	WO 99/18844	4/1999
----	-------------	--------

## OTHER PUBLICATIONS

Dumas et al. "Clinical evaluation of a prototype motion artifact resistant pulse oximeter in the recovery room" *Anesthesia & Analgesia* 83(2):269-272 (1996).

\* cited by examiner



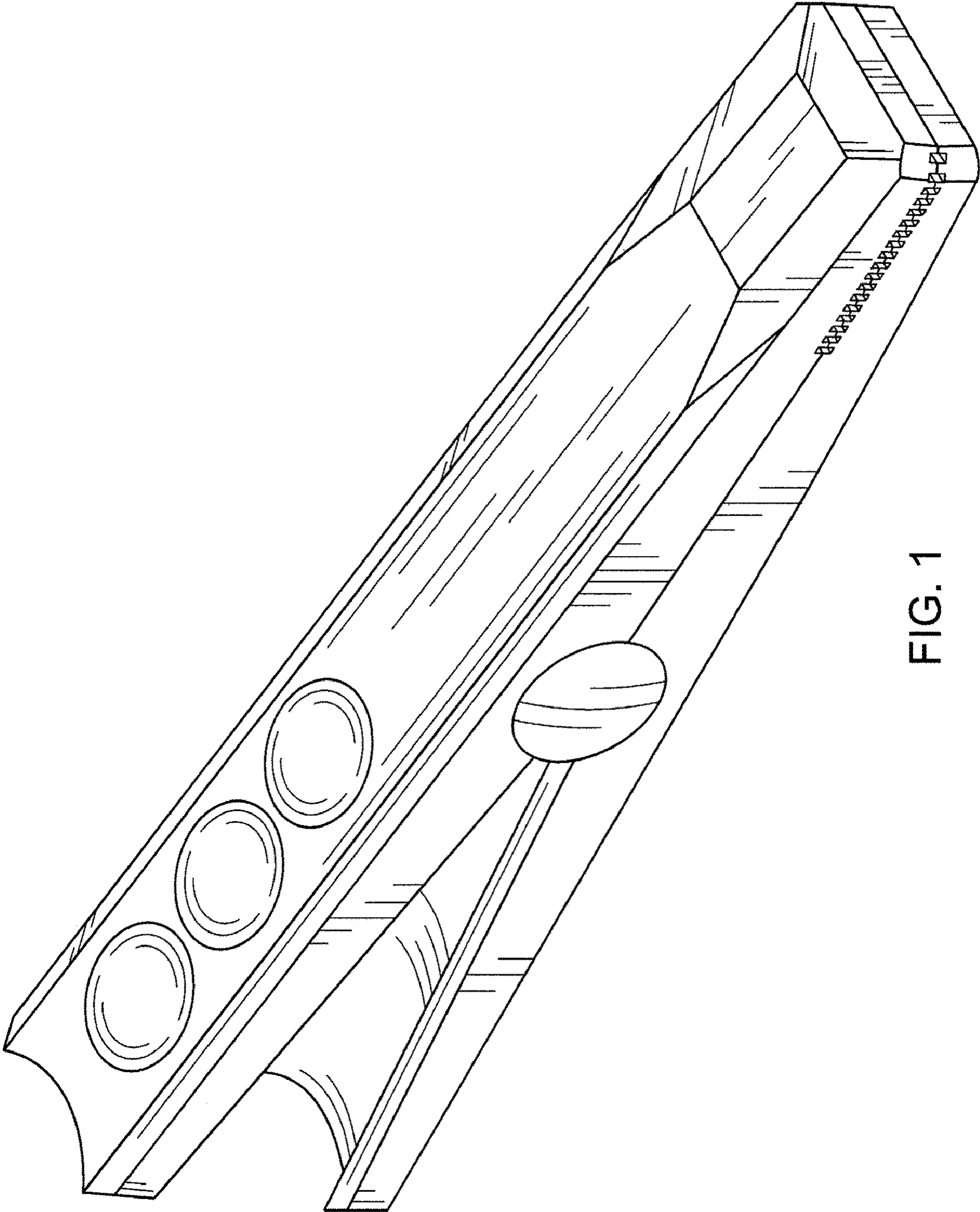


FIG. 1

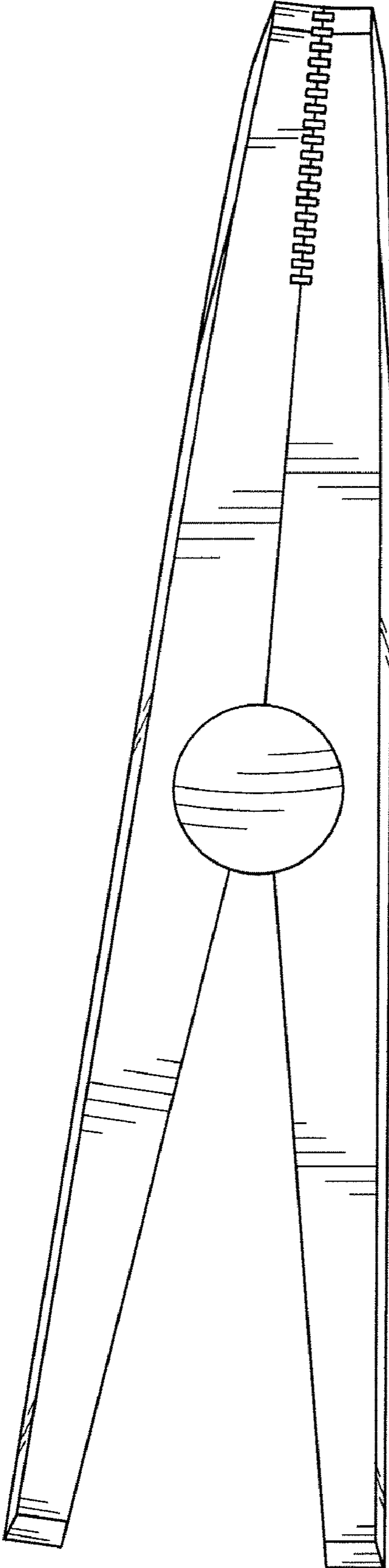


FIG. 2

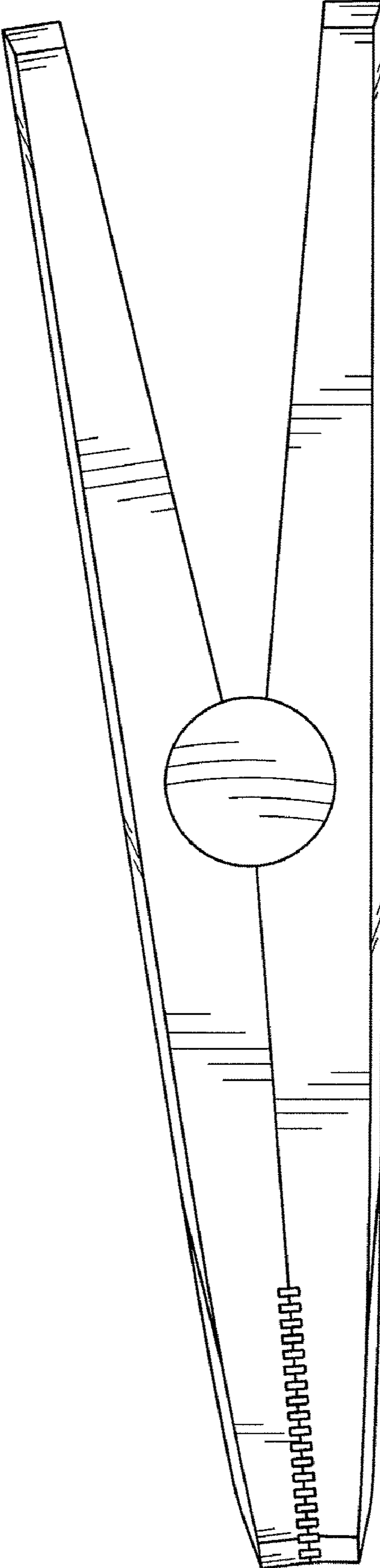


FIG. 3

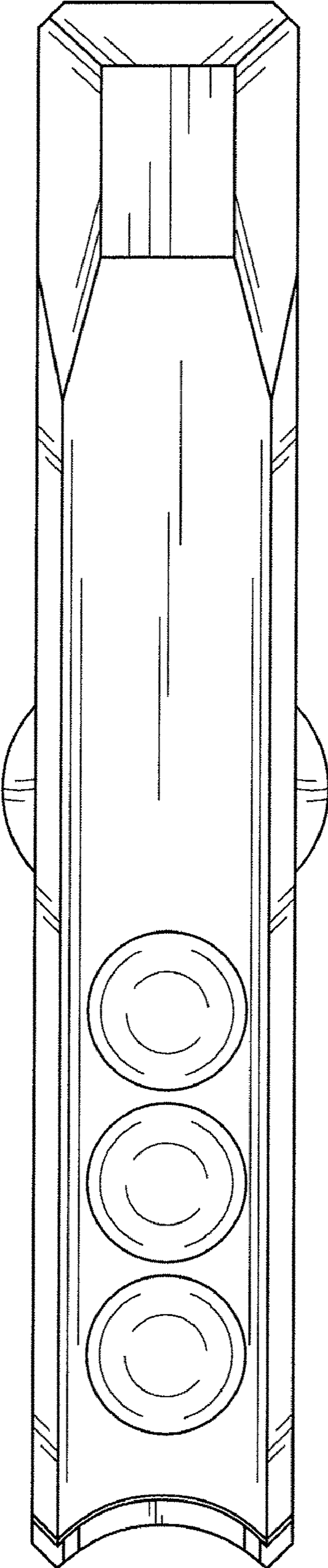


FIG. 4



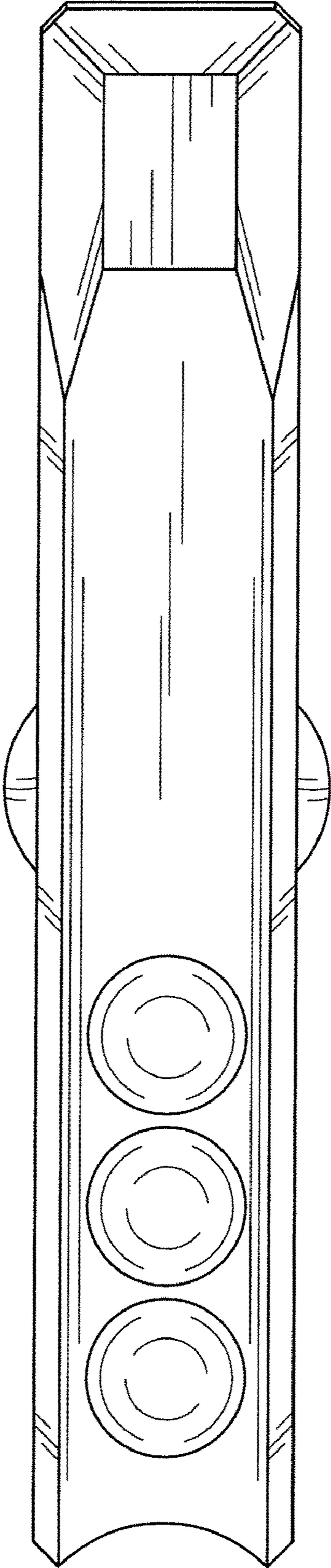


FIG. 5

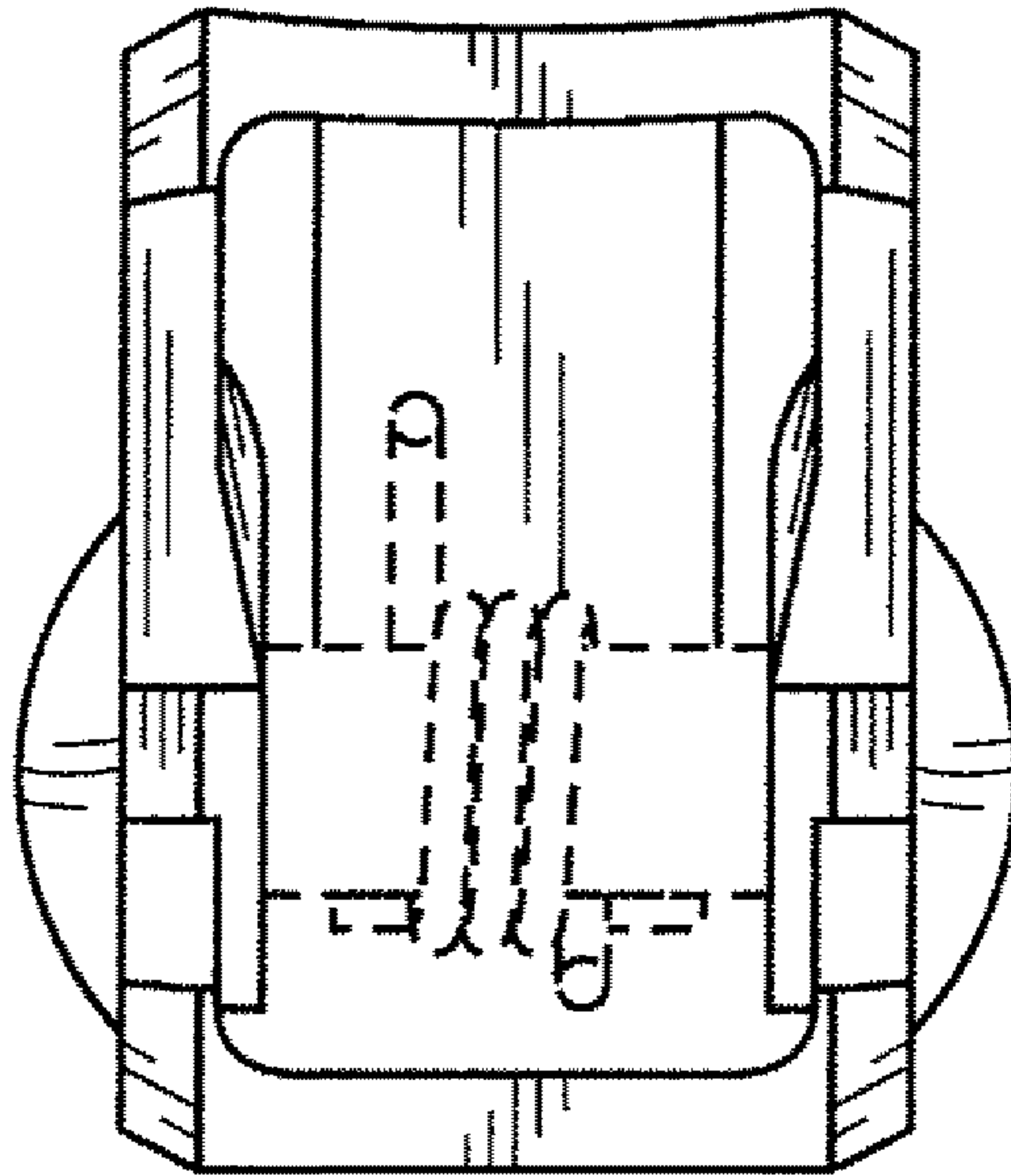


FIG. 6

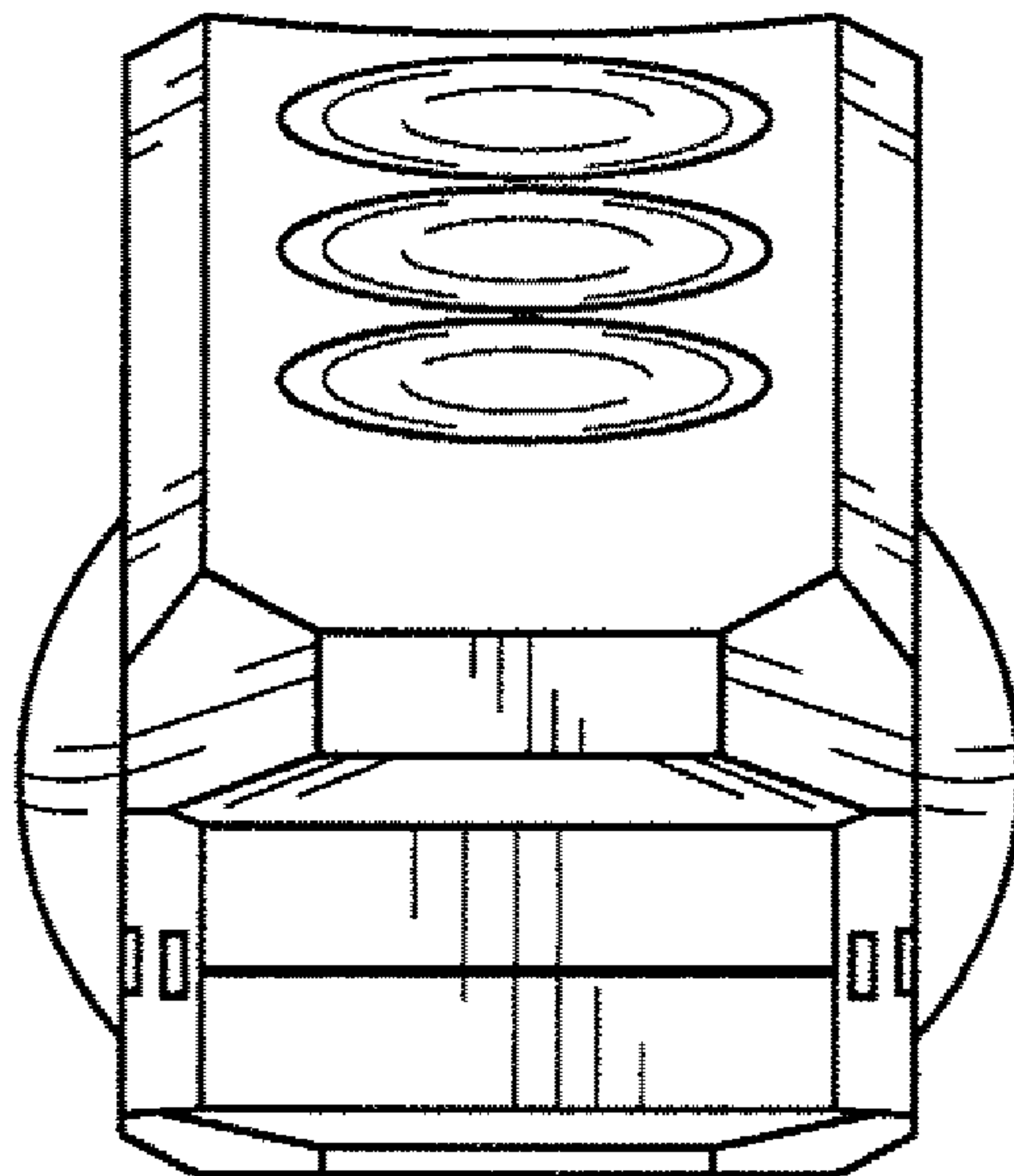


FIG. 7



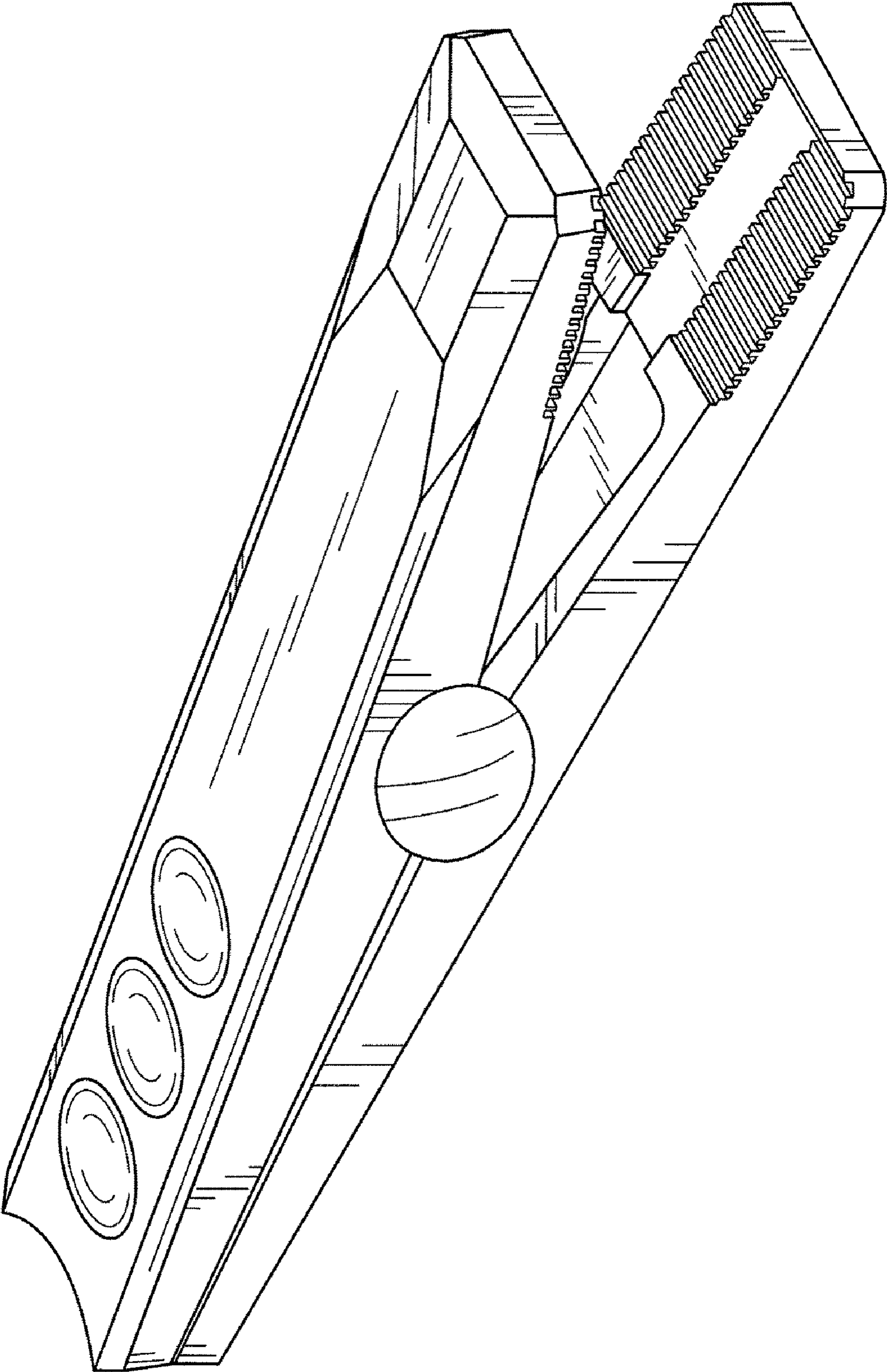


FIG. 8

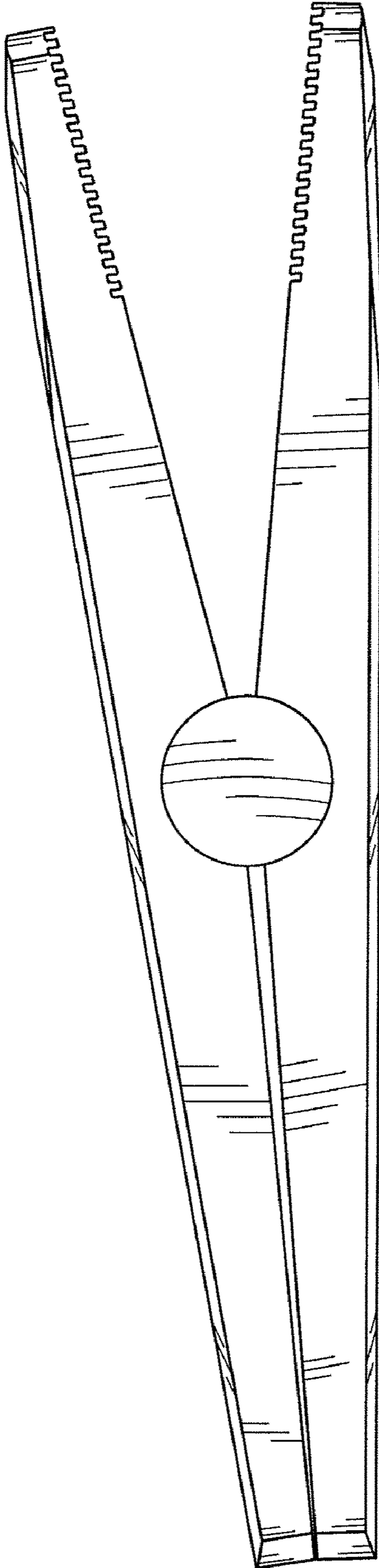


FIG. 9

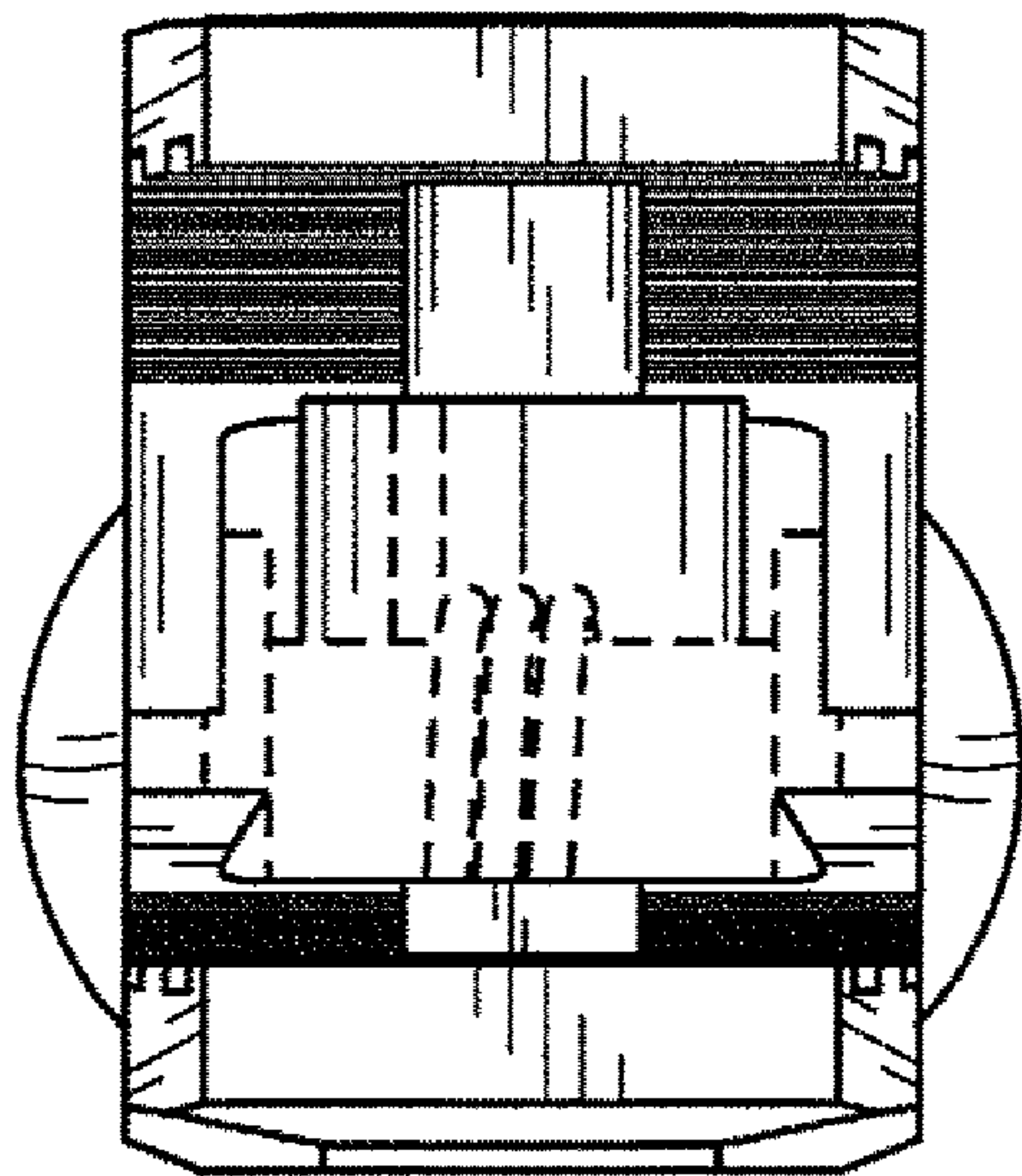


FIG. 10

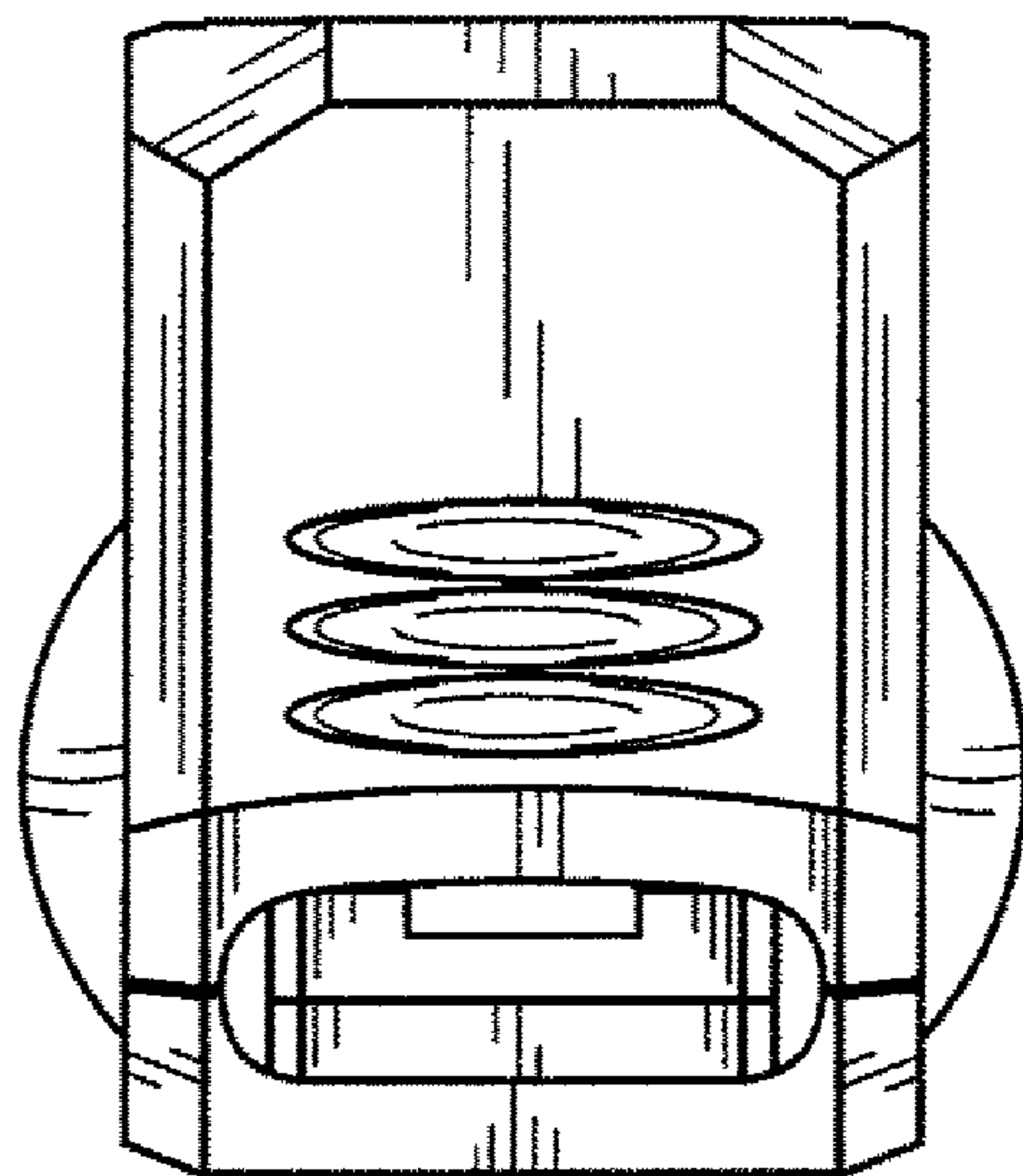


FIG. 11