

US00D663418S

(12) **United States Design Patent**  
**Meyer et al.**

(10) **Patent No.:** **US D663,418 S**

(45) **Date of Patent:** **\*\* Jul. 10, 2012**

(54) **OFFSET PROSTHETIC ADAPTOR**

(75) Inventors: **Robert B. Meyer**, Lewisburg, OH (US);  
**Wilbur N. Meyer**, Brookville, OH (US)

(73) Assignee: **Bulldog Tools, Inc.**, Lewisburg, OH  
(US)

(\*\*) Term: **14 Years**

(21) Appl. No.: **29/404,478**

(22) Filed: **Oct. 21, 2011**

(51) **LOC (9) Cl.** ..... **24-02**

(52) **U.S. Cl.** ..... **D24/155**

(58) **Field of Classification Search** ..... D24/155,  
D24/156, 133, 152, 154, 135, 144-146, 151;  
606/194, 198, 281, 291; 623/23.54, 23.7,  
623/1.15, 903, 53, 55; 604/1.02, 103.02  
See application file for complete search history.

(56) **References Cited**

**U.S. PATENT DOCUMENTS**

6,030,219	A *	2/2000	Zuest et al.	433/181
D475,786	S *	6/2003	Lund	D24/155
D493,534	S *	7/2004	Meyer et al.	D24/155
6,991,658	B2	1/2006	Slemker et al.	
D646,786	S *	10/2011	Anitua Aldecoa	D24/156

\* cited by examiner

*Primary Examiner* — Ian Simmons

*Assistant Examiner* — Charles Hanson

(74) *Attorney, Agent, or Firm* — Jacox, Meckstroth & Jenkins

(57) **CLAIM**

The ornamental design of an offset prosthetic adaptor, as shown and described.

**DESCRIPTION**

FIG. 1 is a perspective view of an offset prosthetic adaptor and showing our new design;

FIG. 2 is top view thereof;

FIG. 3 is a side view thereof, the opposite side view being a mirror image;

FIG. 4 is an end view thereof;

FIG. 5 is an opposite end view thereof;

FIG. 6 is a bottom view thereof;

FIG. 7 is a perspective view of a second embodiment of our offset prosthetic adaptor;

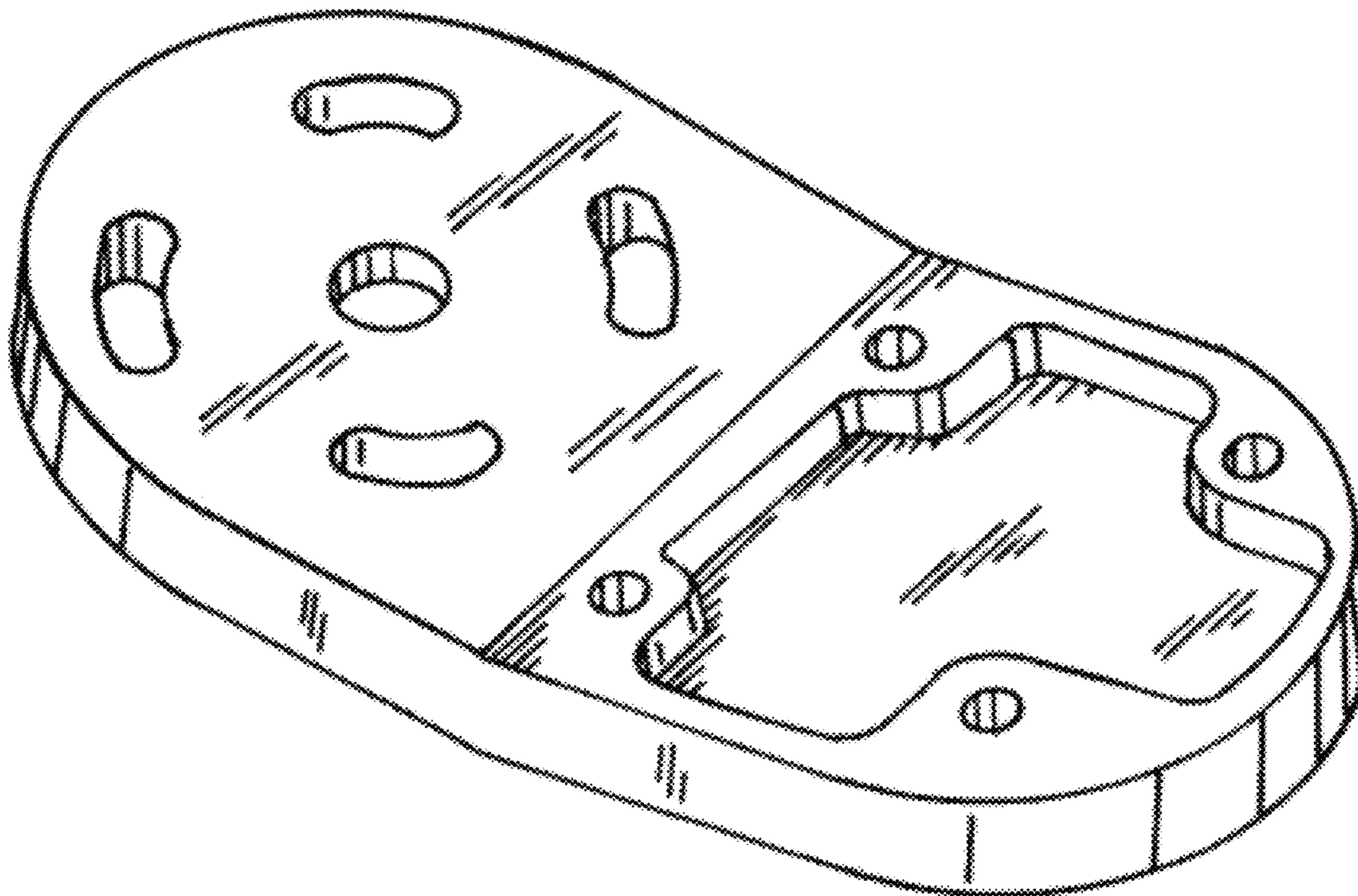
FIG. 8 is top view of the second embodiment;

FIG. 9 is a side view of the second embodiment, the opposite side view being a mirror image;

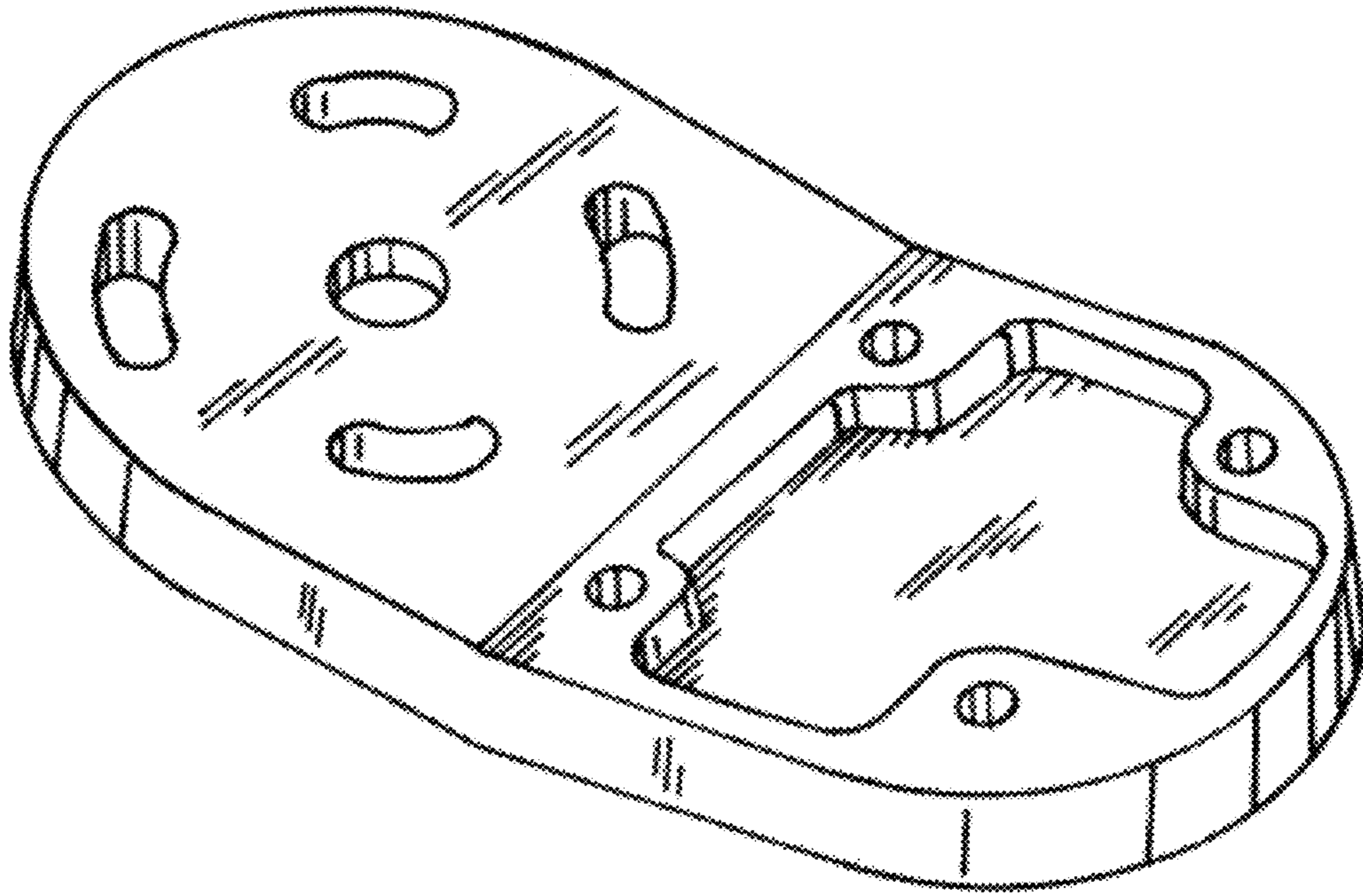
FIG. 10 is an end view of the second embodiment, the opposite end view being a mirror image; and,

FIG. 11 is a bottom view of the second embodiment.

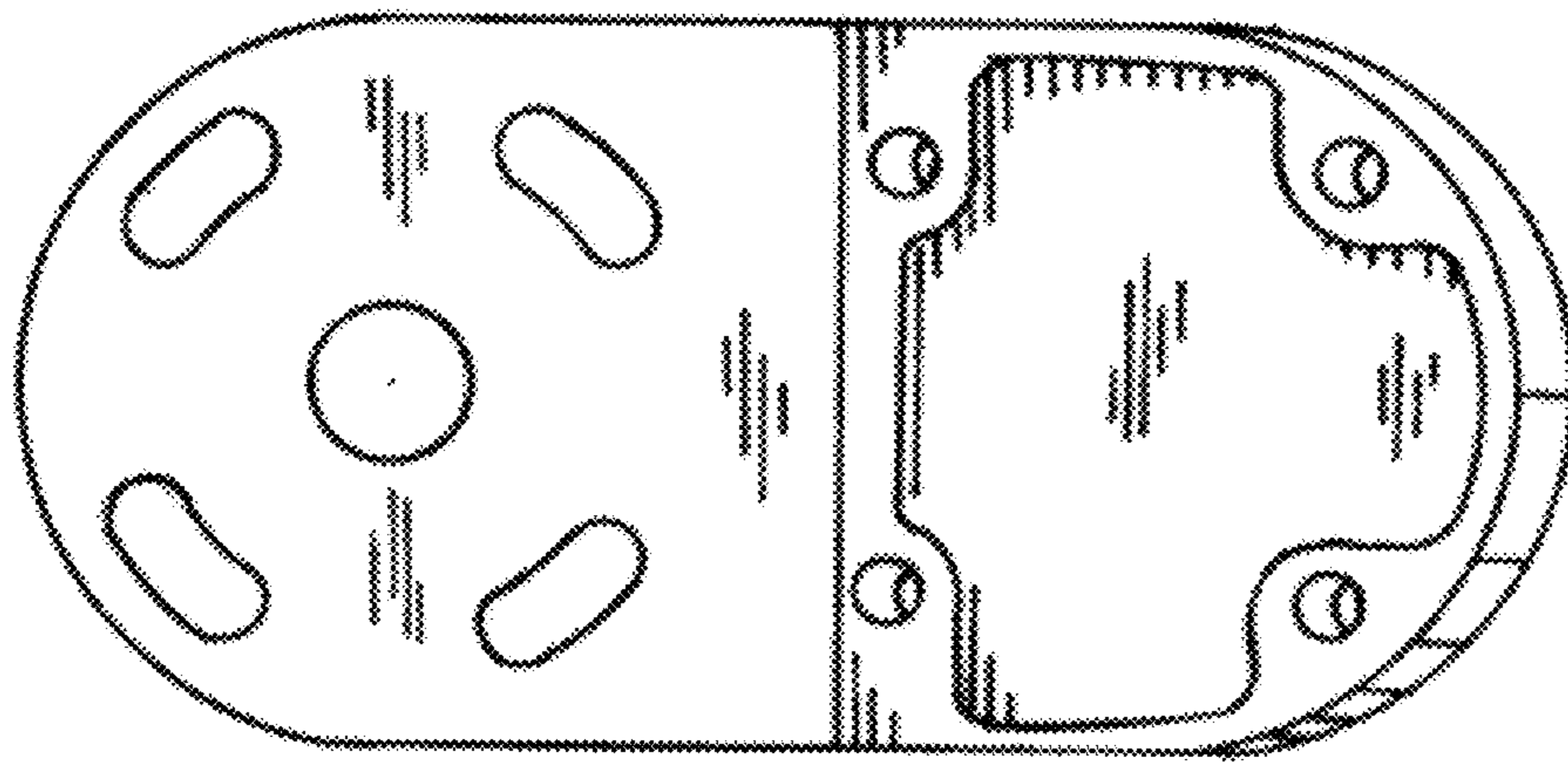
**1 Claim, 4 Drawing Sheets**



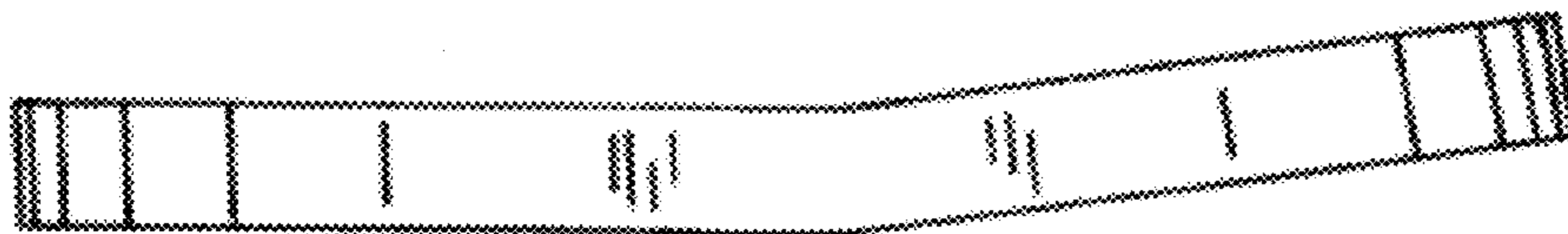
**FIG. 1**



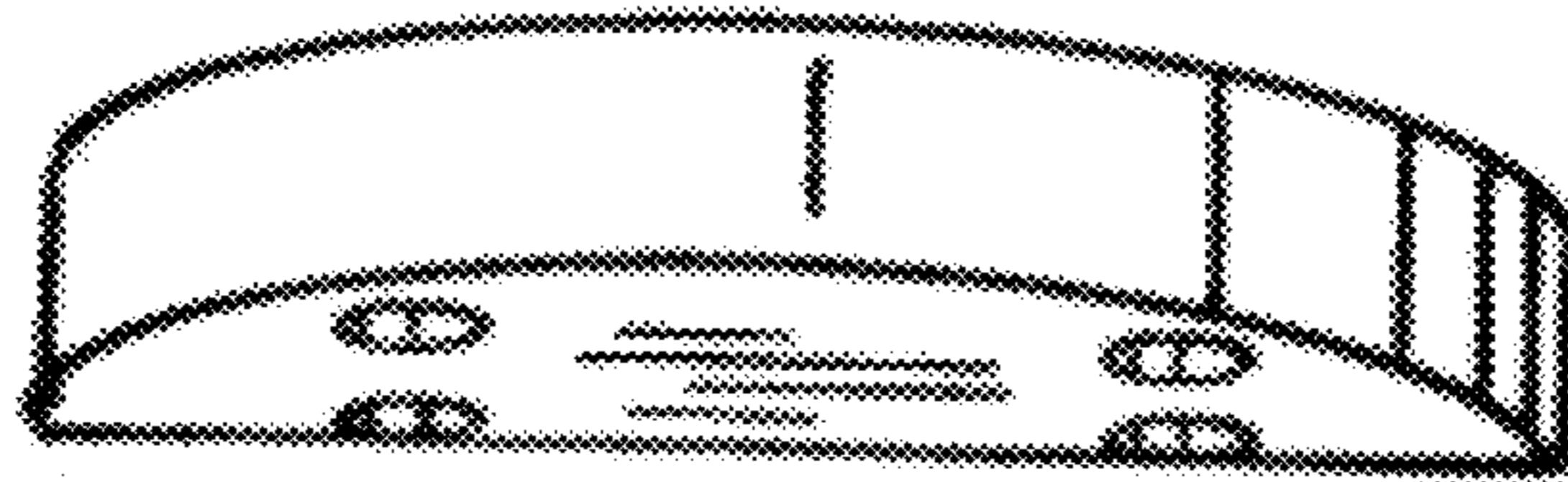
**FIG. 2**



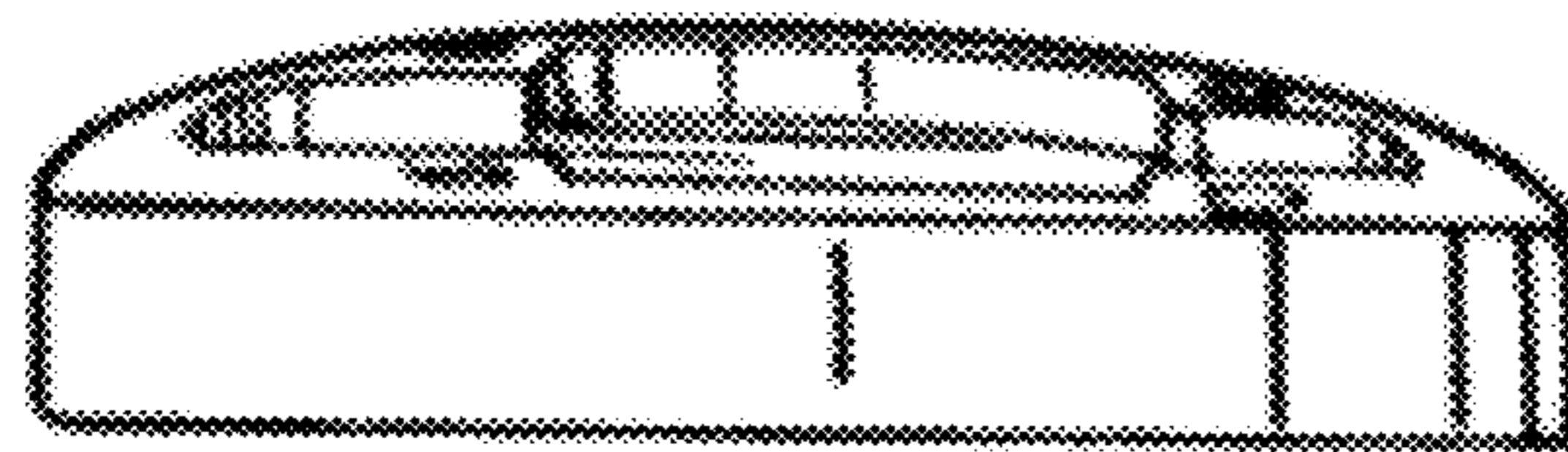
**FIG. 3**



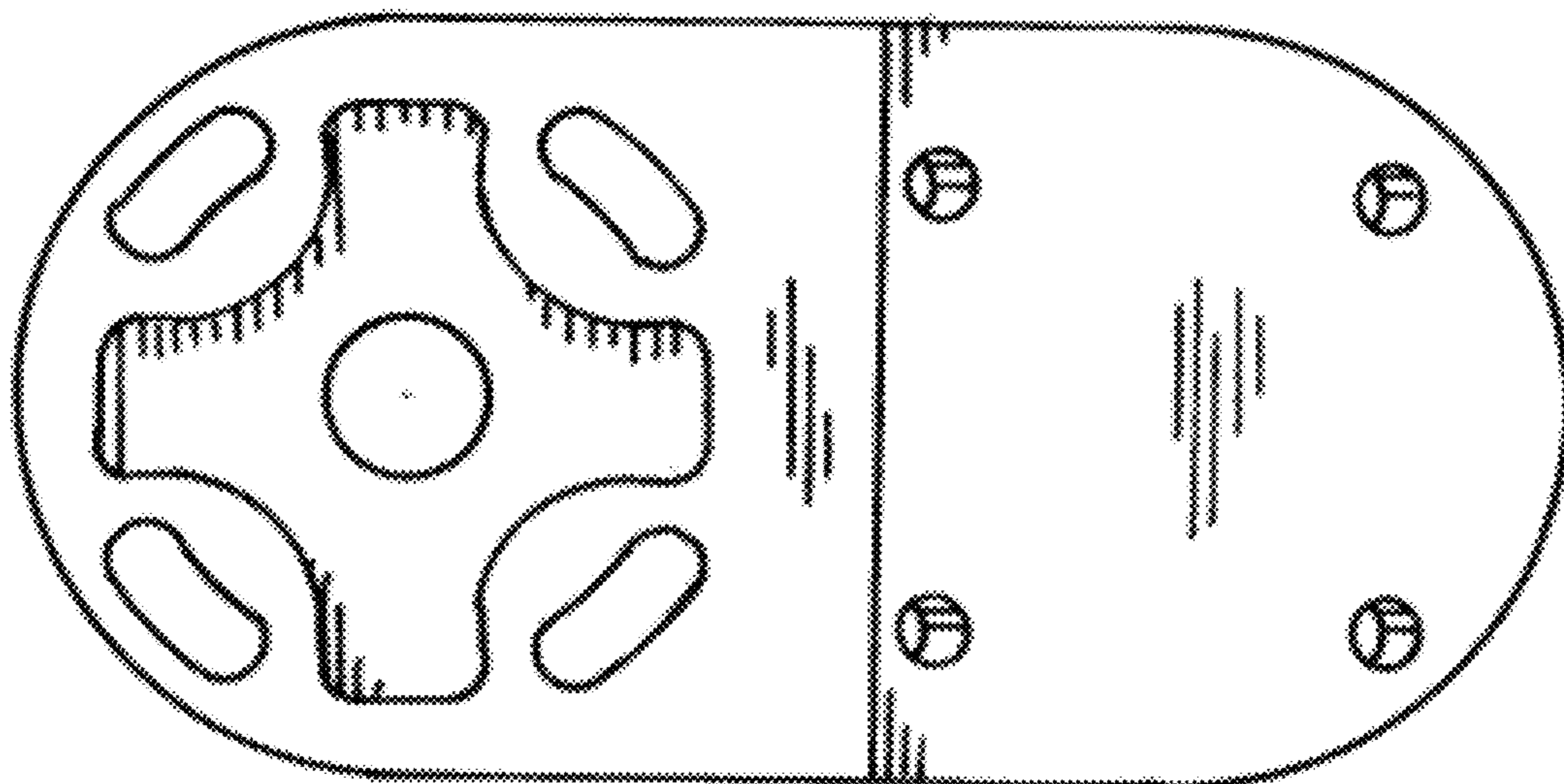
**FIG. 4**



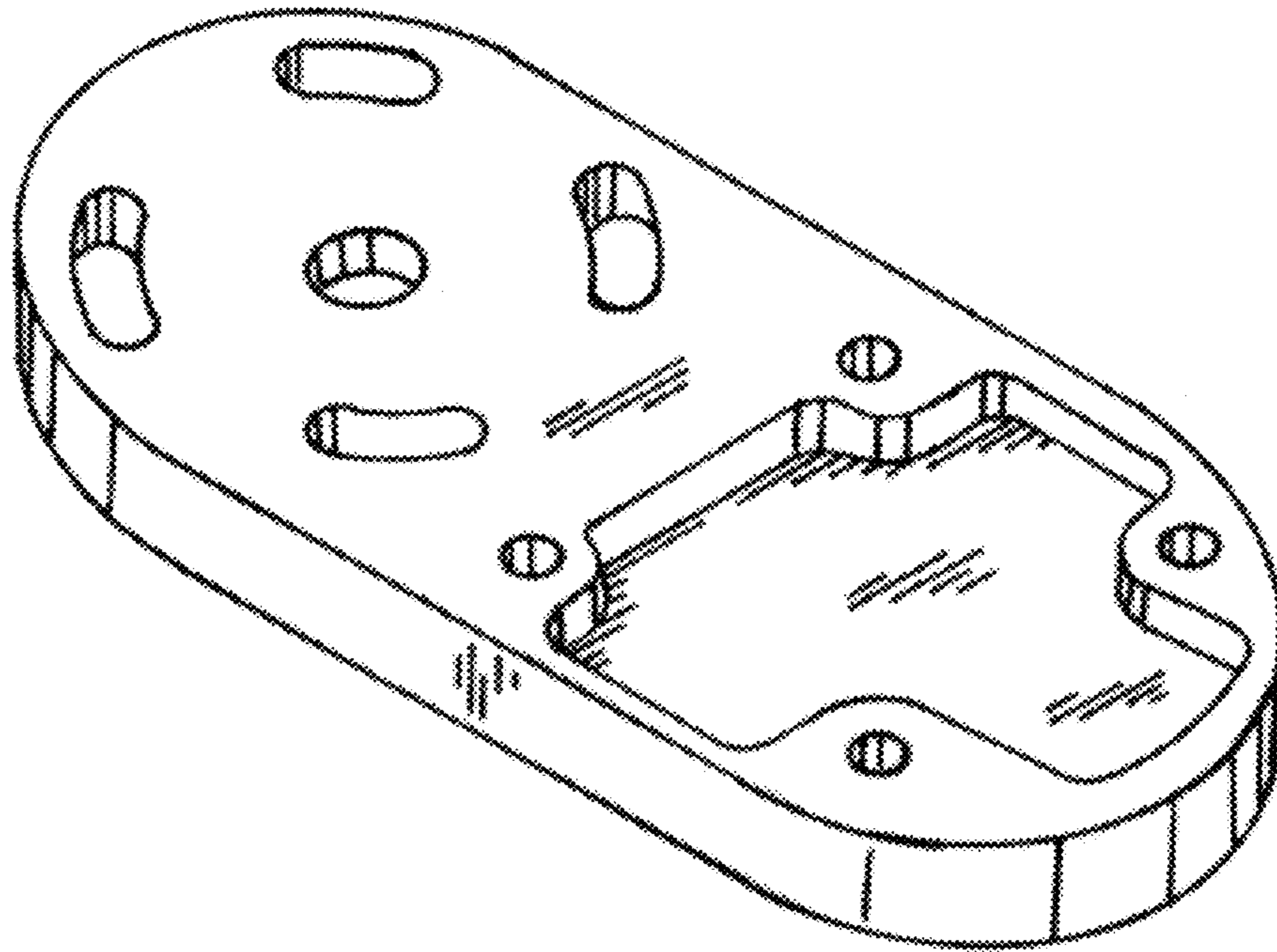
**FIG. 5**



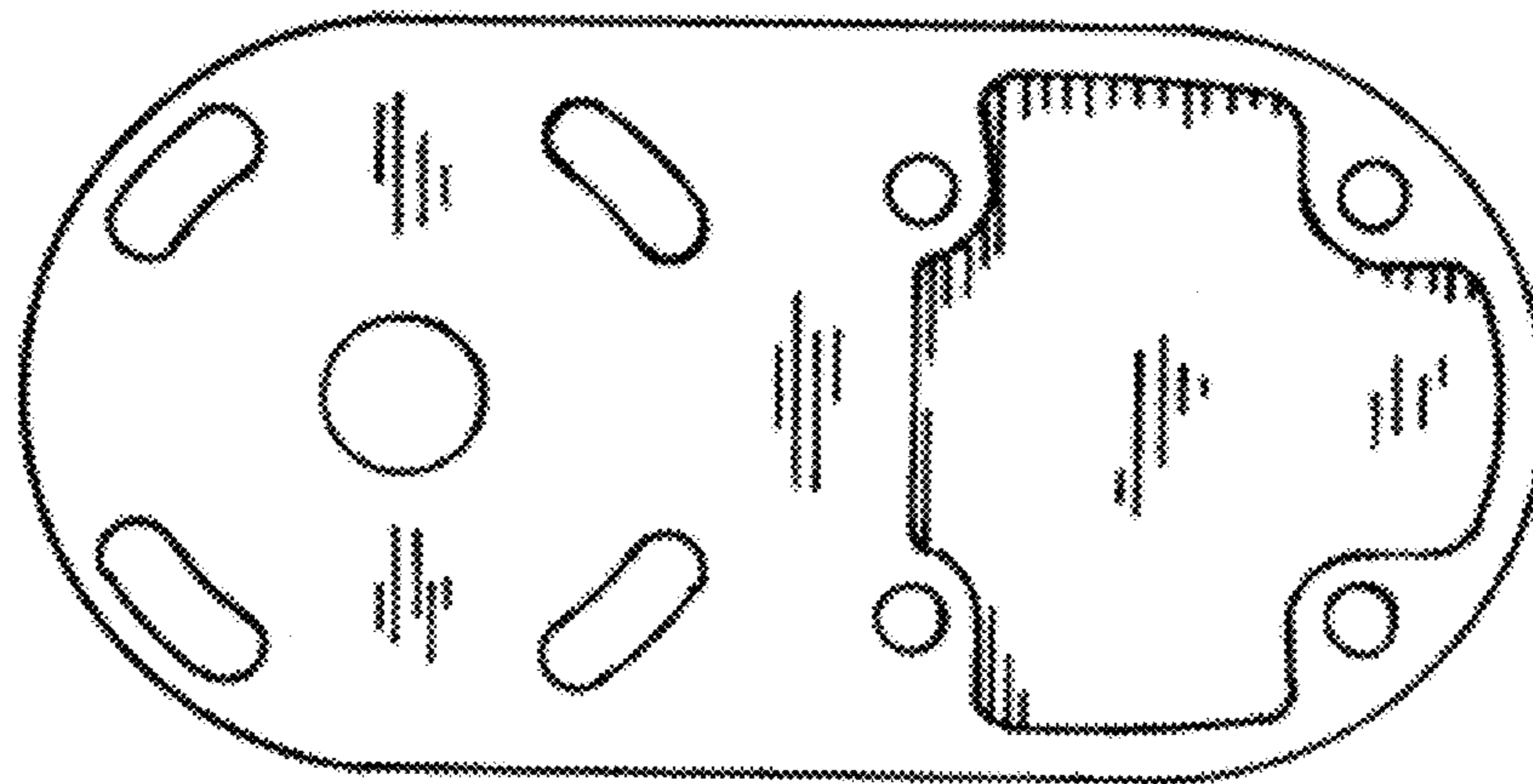
**FIG. 6**



**FIG. 7**



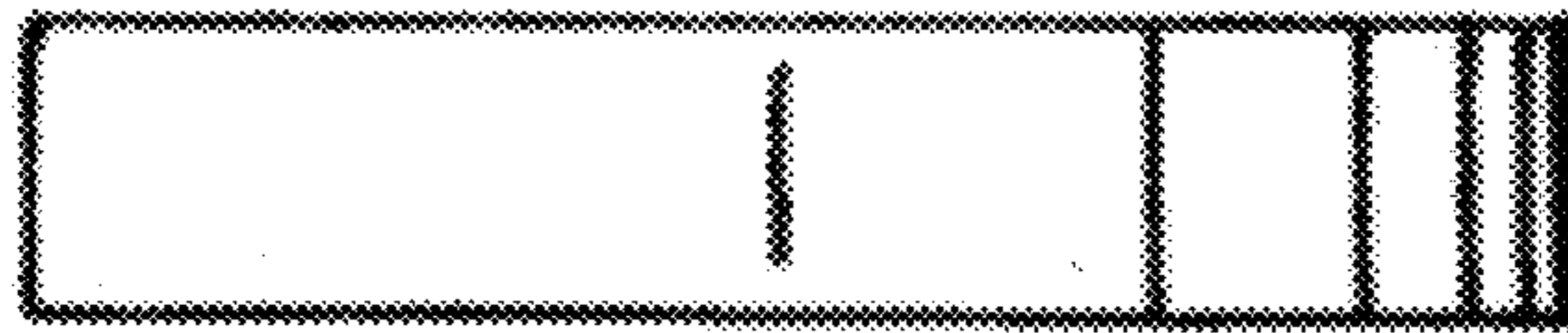
**FIG. 8**



**FIG. 9**



**FIG. 10**



**FIG. 11**

