

US00D663415S

(12) **United States Design Patent**
Tamura et al.

(10) **Patent No.:** **US D663,415 S**

(45) **Date of Patent:** **** Jul. 10, 2012**

(54) **SYRINGE PLUNGER ROD**

(75) Inventors: **Masahiro Tamura**, Osaka (JP); **Masaru Ishimoto**, Saitama (JP)

(73) Assignee: **Fuso Pharmaceutical Industries, Ltd.**, Osaka-Shi, Osaka (JP)

(**) Term: **14 Years**

(21) Appl. No.: **29/397,057**

(22) Filed: **Jul. 11, 2011**

(30) **Foreign Application Priority Data**

Jan. 11, 2011 (JP) 2011-000370

(51) **LOC (9) Cl.** **24-02**

(52) **U.S. Cl.** **D24/130**

(58) **Field of Classification Search** D24/112,
D24/114, 113, 130; 604/89, 110, 218, 232,
604/222, 195

See application file for complete search history.

(56) **References Cited**

U.S. PATENT DOCUMENTS

4,613,326	A *	9/1986	Szwarc	604/89
D427,676	S *	7/2000	Balestracci	D24/114
D432,231	S *	10/2000	Balestracci	D24/114
6,190,362	B1 *	2/2001	Balestracci	604/218
6,206,859	B1 *	3/2001	Niedospial et al.	604/220
6,264,620	B1 *	7/2001	Shieh	600/576
6,352,522	B1 *	3/2002	Kim et al.	604/201
6,749,590	B2 *	6/2004	Niedospial, Jr.	604/218
D638,123	S *	5/2011	Kosinski et al.	D24/130
D638,538	S *	5/2011	Kosinski et al.	D24/130
2003/0097096	A1 *	5/2003	Niedospial, Jr.	604/218
2005/0010175	A1 *	1/2005	Beedon et al.	604/218
2006/0064060	A1 *	3/2006	Lin	604/110
2006/0161106	A1 *	7/2006	Wu	604/110

2006/0178644	A1 *	8/2006	Reynolds	604/232
2007/0060896	A1 *	3/2007	Miller et al.	604/222
2008/0082055	A1 *	4/2008	Lloyd et al.	604/218
2008/0167625	A1 *	7/2008	Earhart et al.	604/218
2008/0188807	A1 *	8/2008	Caizza et al.	604/110
2009/0093759	A1 *	4/2009	Judd et al.	604/110
2009/0131869	A1 *	5/2009	Caizza et al.	604/110
2009/0318880	A1 *	12/2009	Janish	604/228
2009/0326475	A1 *	12/2009	Carlyon	604/191

FOREIGN PATENT DOCUMENTS

JP	8-182760	A	7/1996
JP	9-308689	A	12/1997

* cited by examiner

Primary Examiner — Eric Goodman

(74) *Attorney, Agent, or Firm* — Buchanan Ingersoll & Rooney PC

(57) **CLAIM**

The ornamental design for a syringe plunger rod, as shown and described.

DESCRIPTION

FIG. 1 is a front elevational view of a syringe plunger rod showing our new design;

FIG. 2 is a rear elevational view thereof;

FIG. 3 is a left side view thereof;

FIG. 4 is a right side view thereof;

FIG. 5 is a top plan view thereof;

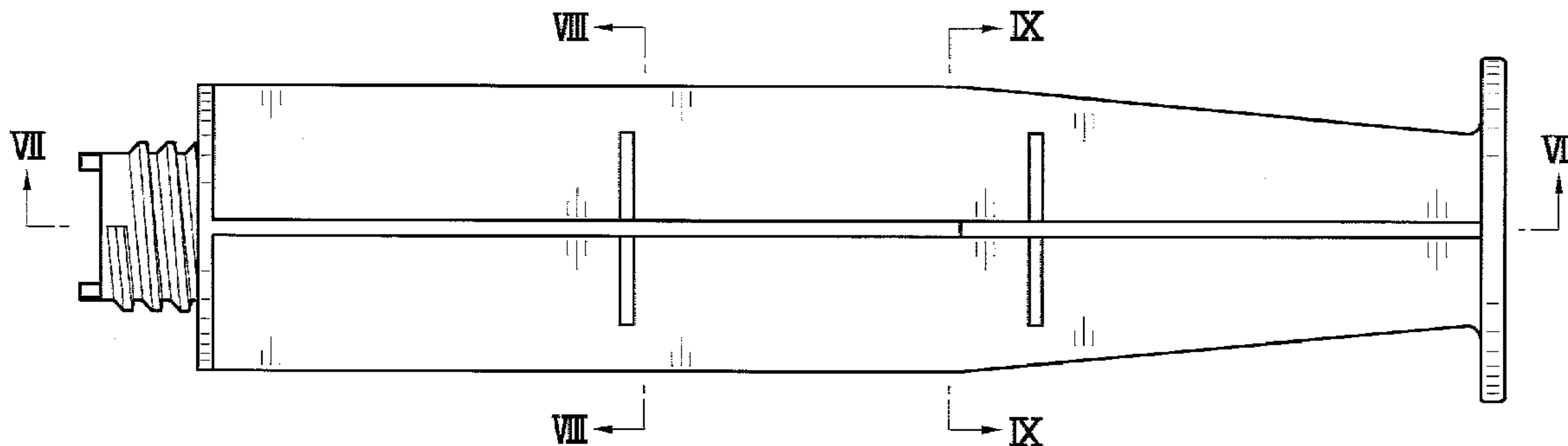
FIG. 6 is a bottom plan view thereof;

FIG. 7 is a cross-sectional view taken along the line of VII-VII of FIG. 1.

FIG. 8 is a cross-sectional view taken along the line of VIII-VIII of FIG. 1; and,

FIG. 9 is a cross-sectional view taken along the line of IX-IX of FIG. 1.

1 Claim, 4 Drawing Sheets



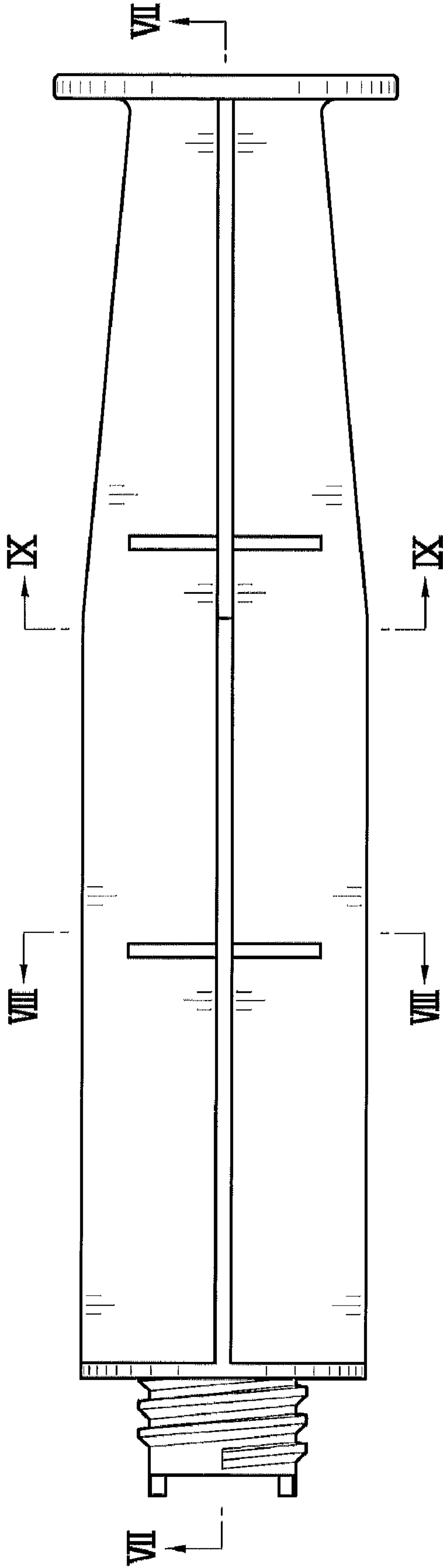


Fig. 1

Fig. 2

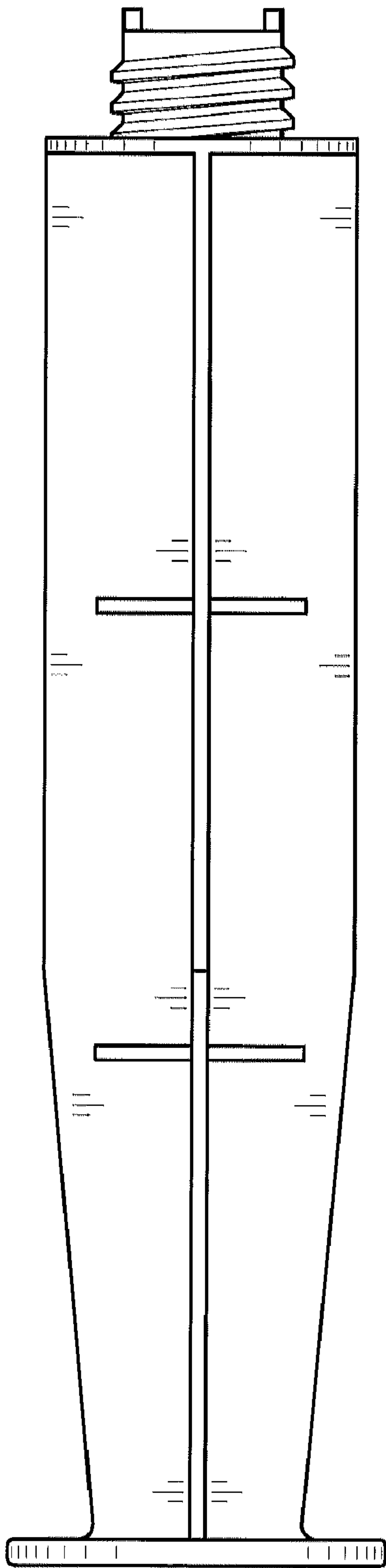


Fig. 3

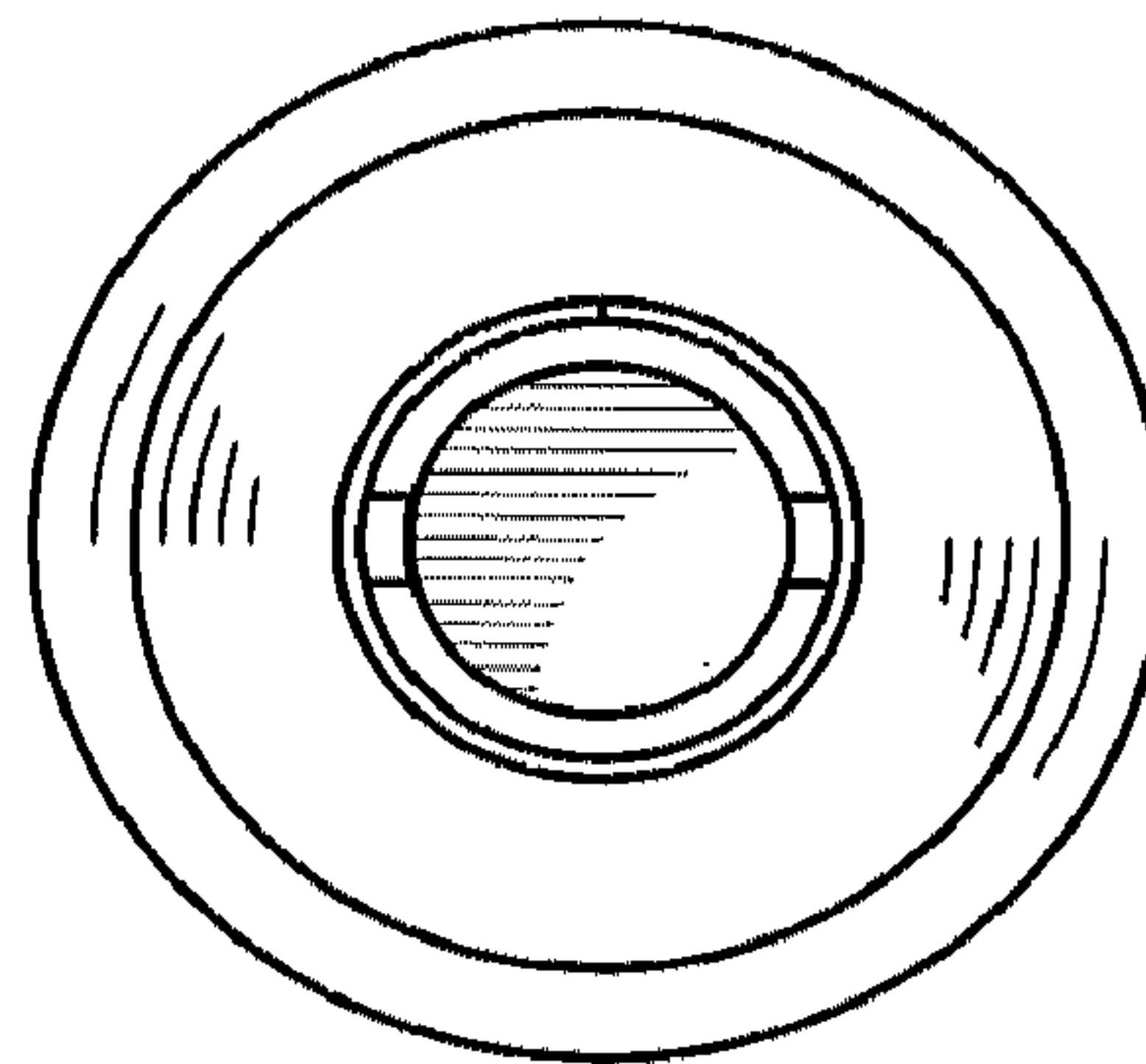
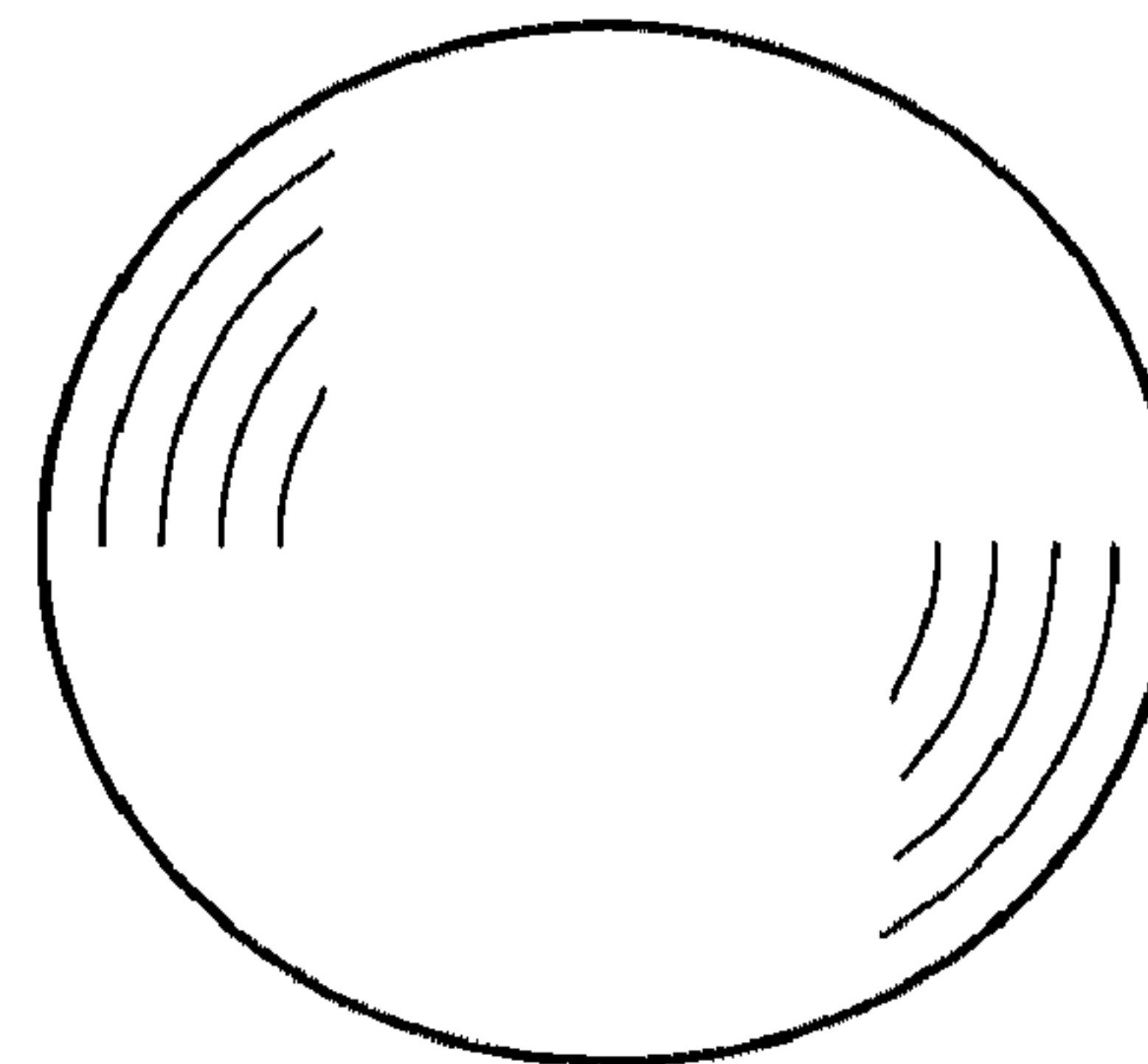


Fig. 4



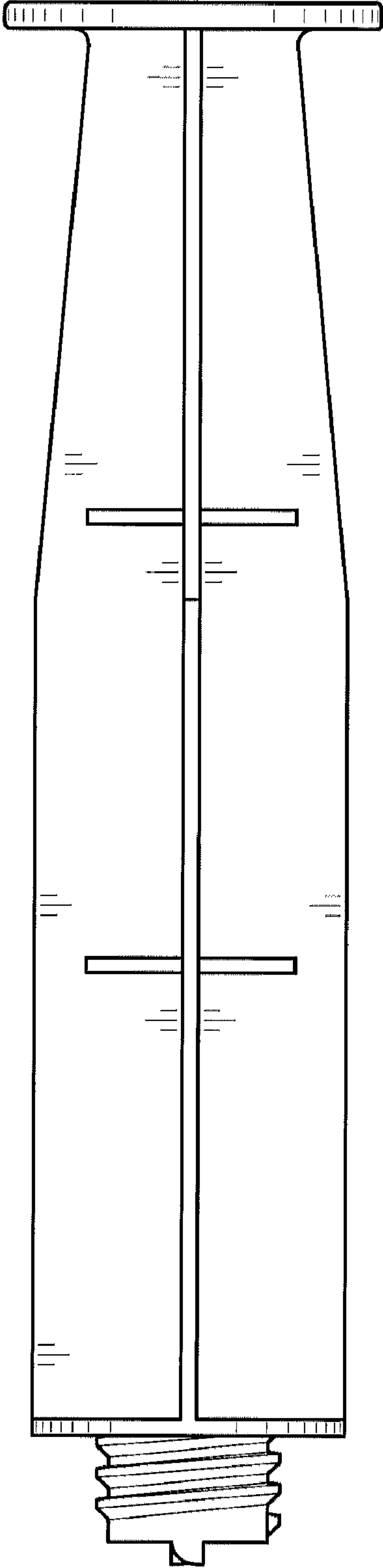


Fig. 5

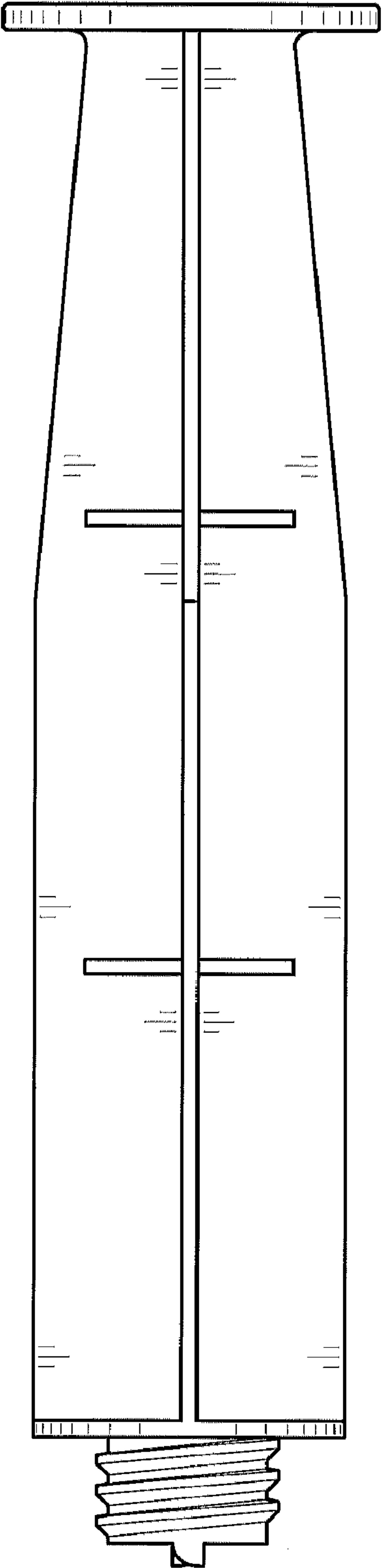


Fig. 6

Fig. 7

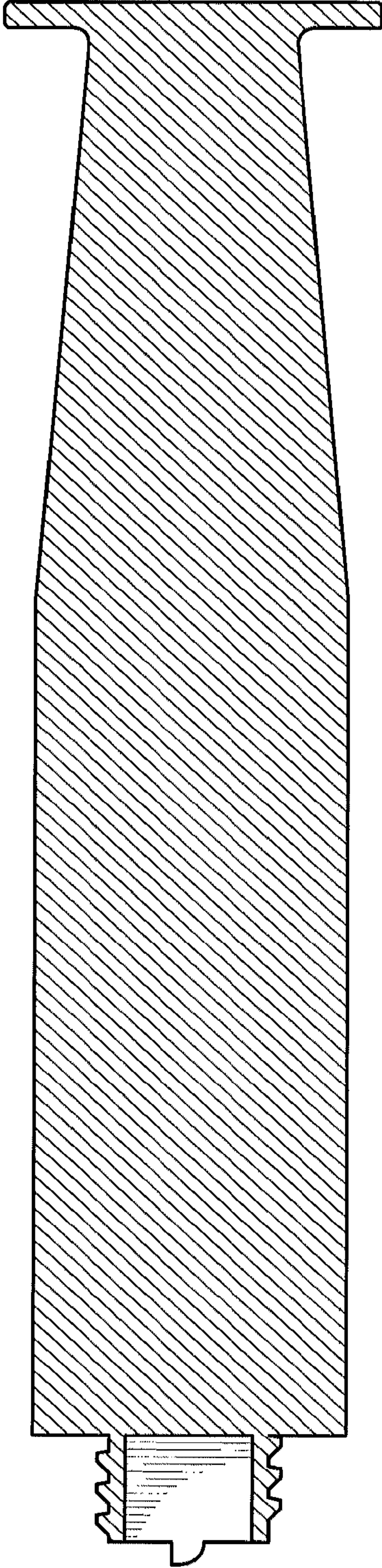


Fig. 8

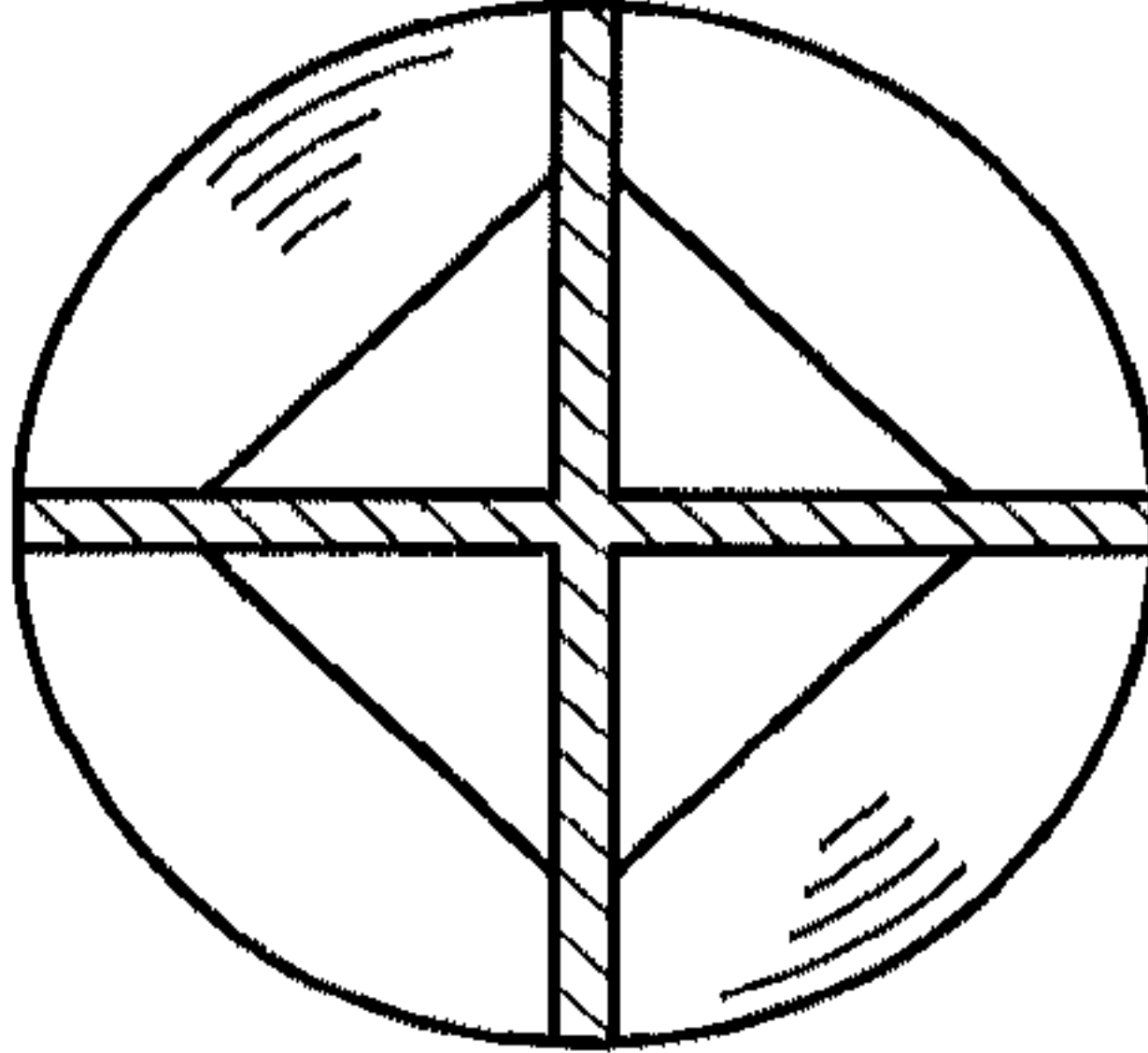


Fig. 9

