

US00D663413S

(12) **United States Design Patent**
Amarasinghe

(10) **Patent No.:** **US D663,413 S**
(45) **Date of Patent:** **** Jul. 10, 2012**

(54) **HEADGEAR**

(75) Inventor: **Amal S. Amarasinghe**, West Pennant Hills (AU)

(73) Assignee: **ResMed Limited**, Bella Vista (AU)

(**) Term: **14 Years**

(21) Appl. No.: **29/409,066**

(22) Filed: **Dec. 20, 2011**

D335,367 S	5/1993	Mieskoski	
5,284,469 A	2/1994	Jasen et al.	
D351,021 S *	9/1994	Martin	D23/309
5,488,948 A	2/1996	Dubruille et al.	
5,490,504 A	2/1996	Vrona et al.	
D368,372 S *	4/1996	Dennison	D3/327
5,517,986 A	5/1996	Starr et al.	
5,529,062 A	6/1996	Byrd et al.	

(Continued)

FOREIGN PATENT DOCUMENTS

DE 19947722 4/2001

(Continued)

OTHER PUBLICATIONS

Amarasinghe et al., U.S. Appl. No. 29/232,935, filed Jun. 27, 2005.

(Continued)

Primary Examiner — Michael Pratt

(74) *Attorney, Agent, or Firm* — Nixon & Vanderhye P.C.

(57)

CLAIM

The ornamental design of headgear, as shown and described.

DESCRIPTION

FIG. 1 is a perspective view of headgear for use with a respiratory mask assembly according to my new ornamental design;

FIG. 2 is a front view thereof;

FIG. 3 is a rear view thereof; and,

FIG. 4 is a top view thereof.

The headgear shown in the figures is shown in its pre-use condition. The headgear is designed to wrap about the head of a patient in use.

The broken lines show environmental structure and are for illustrative purposes only and form no part of the claimed design.

The dotted lines represent the border between claimed and unclaimed subject matter and form no part of the claimed design.

1 Claim, 2 Drawing Sheets

Related U.S. Application Data

(60) Division of application No. 29/347,476, filed on Feb. 2, 2010, now Pat. No. Des. 652,911, which is a division of application No. 29/290,244, filed on Nov. 8, 2007, now Pat. No. Des. 650,895, which is a continuation of application No. 29/266,818, filed on Sep. 29, 2006, now Pat. No. Des. 559,976, which is a continuation of application No. 29/220,536, filed on Jan. 3, 2005, now Pat. No. Des. 532,512.

(51) **LOC (9) Cl.** **29-02**

(52) **U.S. Cl.** **D24/110.1; D24/110**

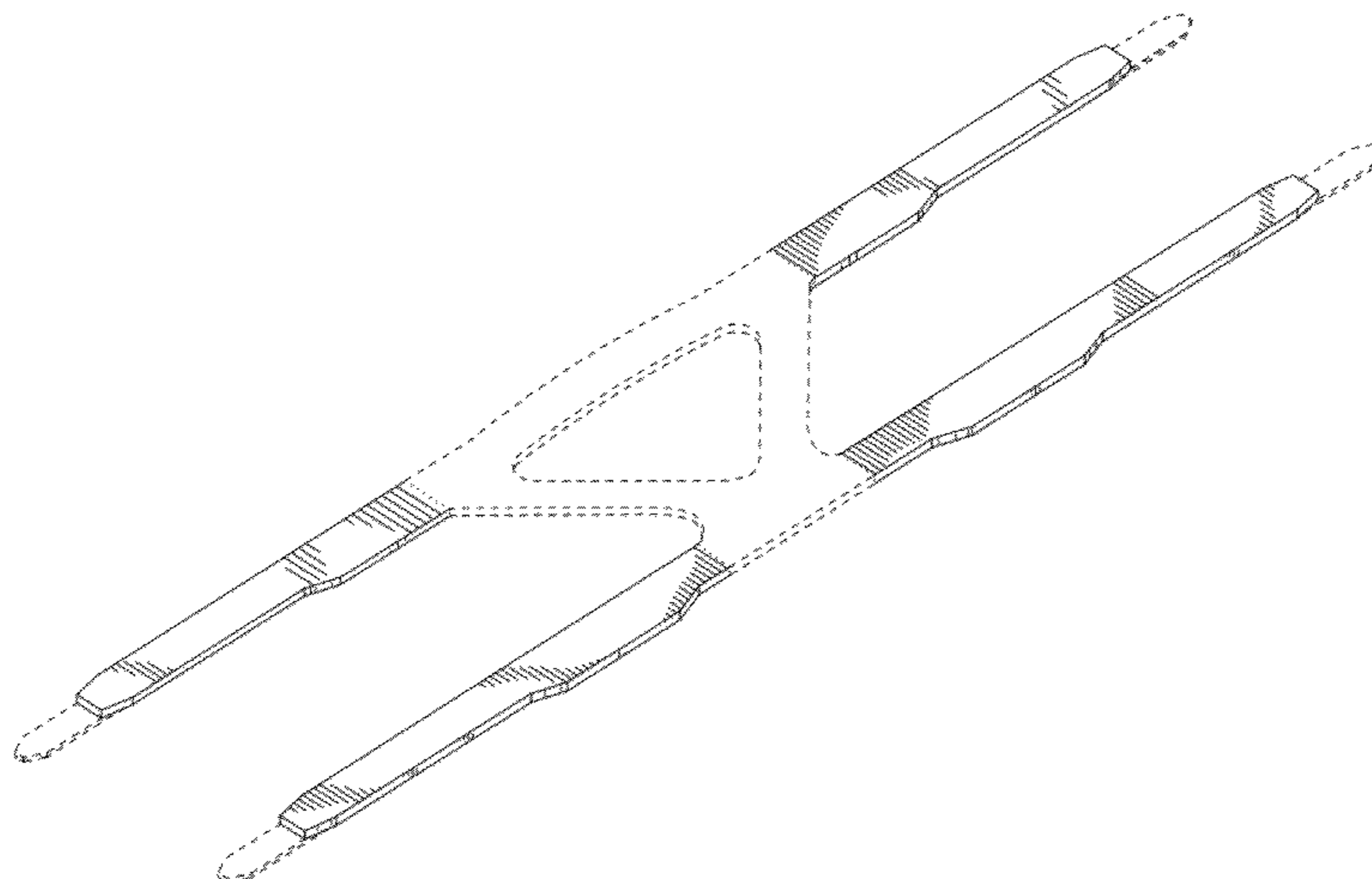
(58) **Field of Classification Search** D24/110, D24/110.1-110.5; D16/335; D2/861, 860, D2/620, 624-627, 636, 865, 703, 707, 711; D30/134-143, 144-154; 128/207.17, 207.11, 128/205.25, 206.24; 2/8.1, 636; D11/5; 63/3; 40/633

See application file for complete search history.

(56) **References Cited**

U.S. PATENT DOCUMENTS

D34,722 S *	7/1901	Davis	D30/134
RE20,211 E	12/1936	Motsinger	
D136,320 S *	9/1943	Padgitt	D30/134
2,846,683 A *	8/1958	Dye et al.	2/421
3,457,564 A	7/1969	Holloway	
3,921,721 A *	11/1975	George	168/4
4,044,400 A *	8/1977	Lewicki et al.	2/421
4,367,735 A	1/1983	Dali et al.	
5,117,819 A	6/1992	Servidio et al.	



US D663,413 S

Page 2

U.S. PATENT DOCUMENTS

5,542,128 A 8/1996 Lomas
D383,204 S 9/1997 Lomas
D390,704 S * 2/1998 Bloch D3/327
6,081,932 A * 7/2000 Kraemer 2/421
6,105,573 A 8/2000 Delaplane et al.
6,119,693 A 9/2000 Kwok et al.
D440,652 S 4/2001 Pollard
D445,547 S * 7/2001 Howitz et al. D30/145
6,269,814 B1 8/2001 Blaszczykiewicz et al.
6,422,238 B1 7/2002 Lithgow
6,494,207 B1 12/2002 Kwok
6,701,927 B2 3/2004 Kwok et al.
6,772,760 B2 8/2004 Frater et al.
D496,726 S 9/2004 Amarasinghe et al.
6,796,308 B2 9/2004 Gunaratnam et al.
6,805,117 B1 10/2004 Ho et al.
6,854,133 B2 * 2/2005 Lee et al. 2/421
D507,084 S * 7/2005 Sabeh-Azar D30/199
D522,244 S * 6/2006 Toler et al. D3/318
D532,511 S 11/2006 Amarasinghe
D532,512 S 11/2006 Amarasinghe
7,188,620 B2 3/2007 Amarasinghe
D540,940 S 4/2007 Amarasinghe et al.
D550,834 S 9/2007 Samaras
D559,976 S 1/2008 Amarasinghe
D560,797 S 1/2008 Carroll et al.
D561,332 S 2/2008 Amarasinghe et al.
D561,892 S 2/2008 Amarasinghe
D604,461 S * 11/2009 Goldman et al. D29/122
D627,074 S * 11/2010 Ray D24/192
D650,895 S 12/2011 Amarasinghe
2002/0174868 A1 11/2002 Kwok et al.
2003/0051732 A1 3/2003 Smith et al.
2003/0196657 A1 10/2003 Ging et al.
2004/0067333 A1 4/2004 Amarasinghe

2004/0112377 A1 6/2004 Amarasinghe et al.
2006/0011202 A1 1/2006 Kwok et al.
2006/0283457 A1 12/2006 Woodard et al.
2006/0283461 A1 12/2006 Lubke et al.
2007/0089219 A1 * 4/2007 Trainor et al. 2/421
2007/0169777 A1 7/2007 Amarasinghe

FOREIGN PATENT DOCUMENTS

EM 1020201 7/2000
EP 0 747 078 12/1996
EP 1 057 494 12/2000
FR 2 618 340 A 1/1989
JP 10-314307 12/1998
WO WO 96/25983 8/1996
WO WO 98/48878 11/1998
WO WO 02/47749 6/2002

OTHER PUBLICATIONS

Supplementary European Search Report for EP 01270356.7 mailed Feb. 3, 2006, 3 pages.
Amarasinghe, U.S. Appl. No. 11/701,362, filed Feb. 2, 2007.
Amarasinghe et al., U.S. Appl. No. 29/274,042, filed Mar. 23, 2007.
Amarasinghe et al., U.S. Appl. No. 29/290,442, filed Dec. 5, 2007.
Amarasinghe, U.S. Appl. No. 29/290,276, filed Nov. 14, 2007.
European Office Action for EP Appln 01 270 356.7, mailed Jun. 11, 2007, 3 pages.
U.S. Appl. No. 60/293,992, filed May 30, 2001, Frater et al.
U.S. Appl. No. 60/219,618, filed Jul. 21, 2000, Frater et al.
U.S. Appl. No. 60/213,251, filed Jun. 22, 2000, Frater et al.
Amarasinghe et al., U.S. Appl. No. 60/254,537, filed Dec. 12, 2000.
Parent Application, Amarasinghe, U.S. Appl. No. 29/347,476, filed Feb. 2, 2010.

* cited by examiner

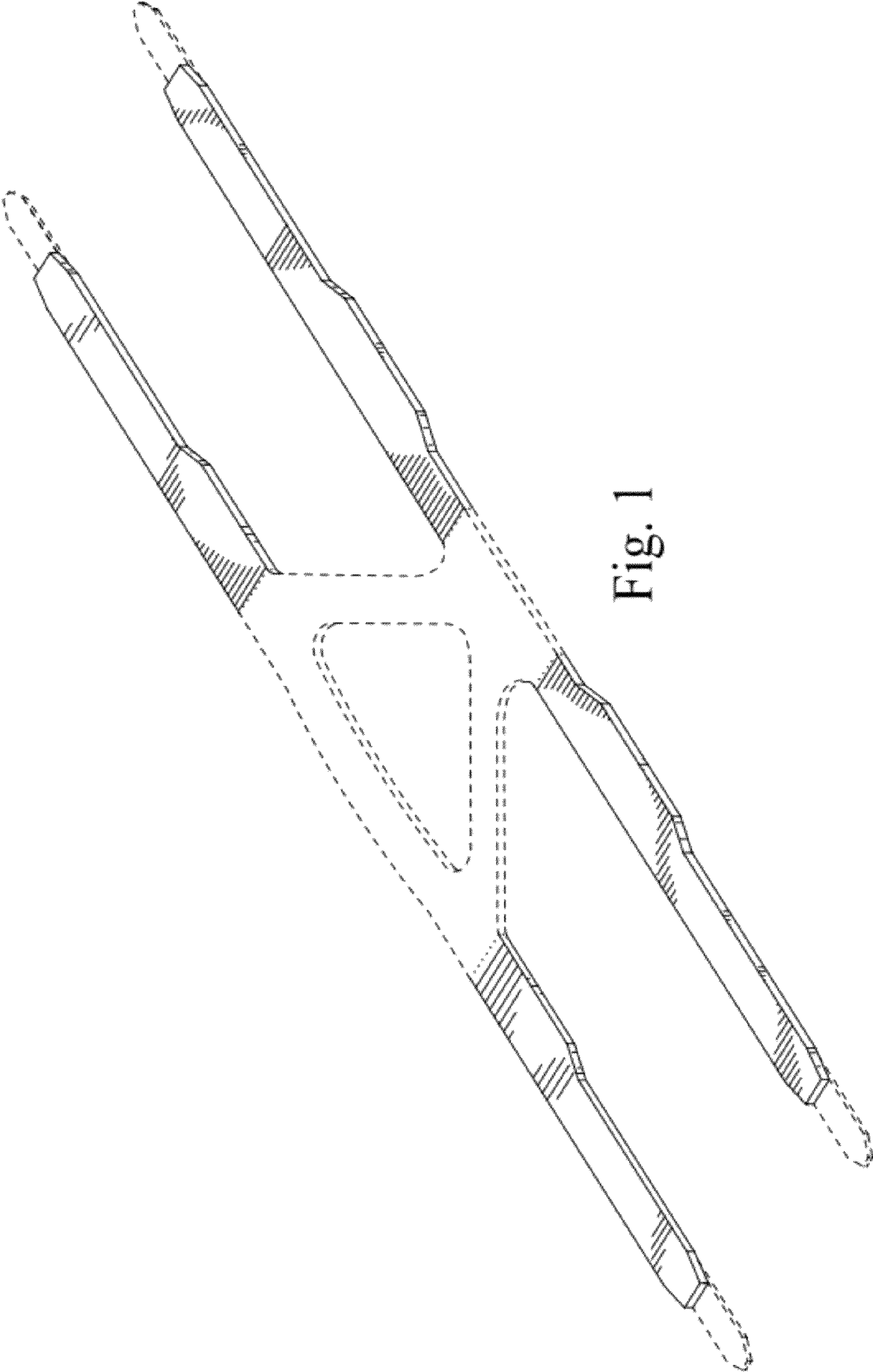


Fig. 1

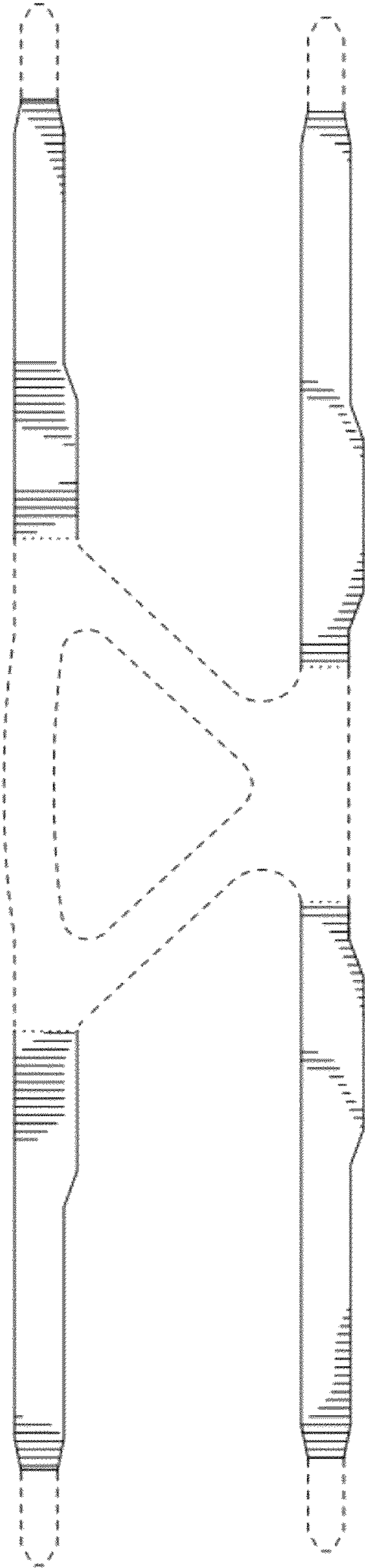


Fig. 2

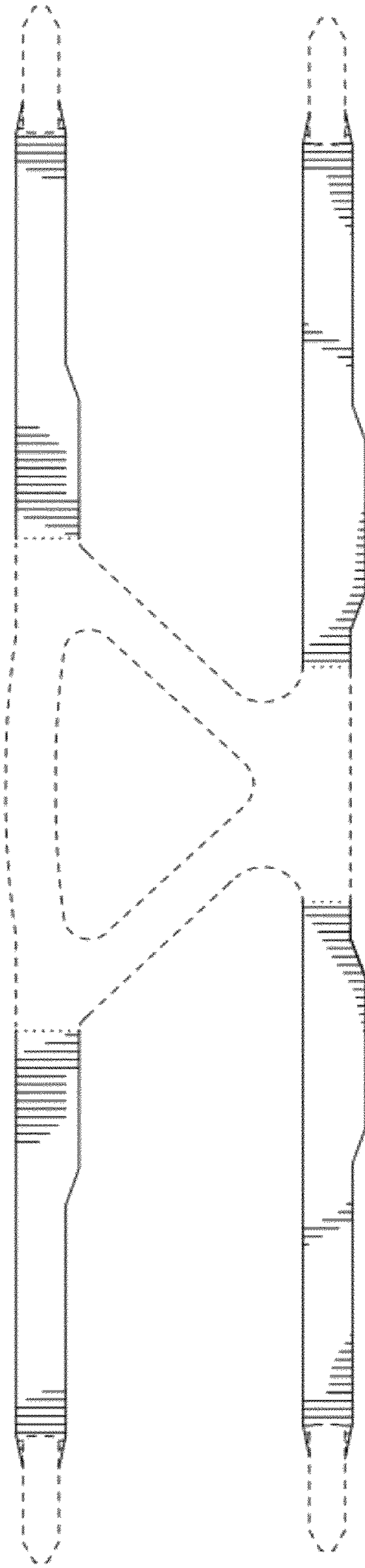


Fig. 3

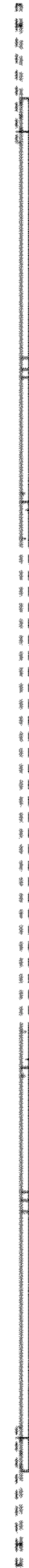


Fig. 4