

US00D663412S

(12) **United States Design Patent**  
**Virr et al.**

(10) **Patent No.:** **US D663,412 S**  
(45) **Date of Patent:** **\*\* Jul. 10, 2012**

(54) **HUMIDIFIER TUB FOR HUMIDIFIER FOR POSITIVE AIRWAY PRESSURE DELIVERY DEVICE**

(75) Inventors: **Alexander Virr**, Mangrove Mountain (AU); **Dan Kao**, Northbridge (AU)

(73) Assignee: **ResMed Limited**, Bella Vista (AU)

(\*\*) Term: **14 Years**

(21) Appl. No.: **29/397,456**

(22) Filed: **Jul. 15, 2011**

D419,658 S	1/2000	Matchett et al.	
D427,675 S	7/2000	Hansel	
6,131,958 A	10/2000	Craig	
D467,335 S *	12/2002	Lithgow et al.	..... D24/110
D468,011 S	12/2002	Lithgow et al.	
D468,497 S	1/2003	Lovely, Jr.	
D475,165 S	5/2003	Biere et al.	
D479,876 S	9/2003	Gradon et al.	
D487,311 S *	3/2004	Lithgow et al.	..... D24/110
D488,270 S	4/2004	Biere et al.	
D492,759 S	7/2004	Yoshida	
D493,520 S	7/2004	Bertinetti et al.	
D498,527 S	11/2004	Virr et al.	
D503,796 S	4/2005	Lithgow et al.	
D517,672 S	3/2006	Schmitt et al.	
D525,991 S	8/2006	Walters	
D528,655 S	9/2006	Clawson	

(Continued)

**Related U.S. Application Data**

(60) Continuation of application No. 29/371,416, filed on Feb. 17, 2011, now Pat. No. Des. 643,114, which is a division of application No. 29/371,042, filed on Sep. 28, 2010, now Pat. No. Des. 635,232, which is a division of application No. 29/311,387, filed on Mar. 5, 2009, now Pat. No. Des. 626,642.

(51) **LOC (9) Cl.** ..... **29-02**

(52) **U.S. Cl.** ..... **D24/110**

(58) **Field of Classification Search** ..... D24/110, D24/164; D23/355-366, 352, 369, 332, D23/333, 335, 336, 342, 351; 128/200.24, 128/200.23, 200.22, 200.16, 200.14, 203.16, 128/203.17, 204.18, 204.23; 422/120, 122; 55/356, 473, 504; 96/97; D14/188, 170, D14/172; 261/DIG. 17, DIG. 65, DIG. 88, 261/DIG. 31; D32/31; D15/5

See application file for complete search history.

(56) **References Cited**

**U.S. PATENT DOCUMENTS**

D305,562 S	1/1990	Martinez	
5,464,460 A	11/1995	Bosses	
D370,254 S *	5/1996	Dancs et al.	..... D23/366
D374,479 S	10/1996	Bucher et al.	
D377,212 S	1/1997	Moore	
D384,452 S	9/1997	Wareham	
5,673,687 A *	10/1997	Dobson et al.	..... 128/200.24

**OTHER PUBLICATIONS**

Virr et al., U.S. Appl. No. 29/371,416, filed Feb. 17, 2011.

(Continued)

*Primary Examiner* — David Muller

(74) *Attorney, Agent, or Firm* — Nixon & Vanderhye P.C.

(57) **CLAIM**

The ornamental design for a humidifier tub for a humidifier for a positive airway pressure delivery device, as shown and described.

**DESCRIPTION**

FIG. 1 is a perspective view of a humidifier tub for a humidifier for a positive airway pressure delivery device according to our design;

FIG. 2 is a front view thereof;

FIG. 3 is a rear view thereof;

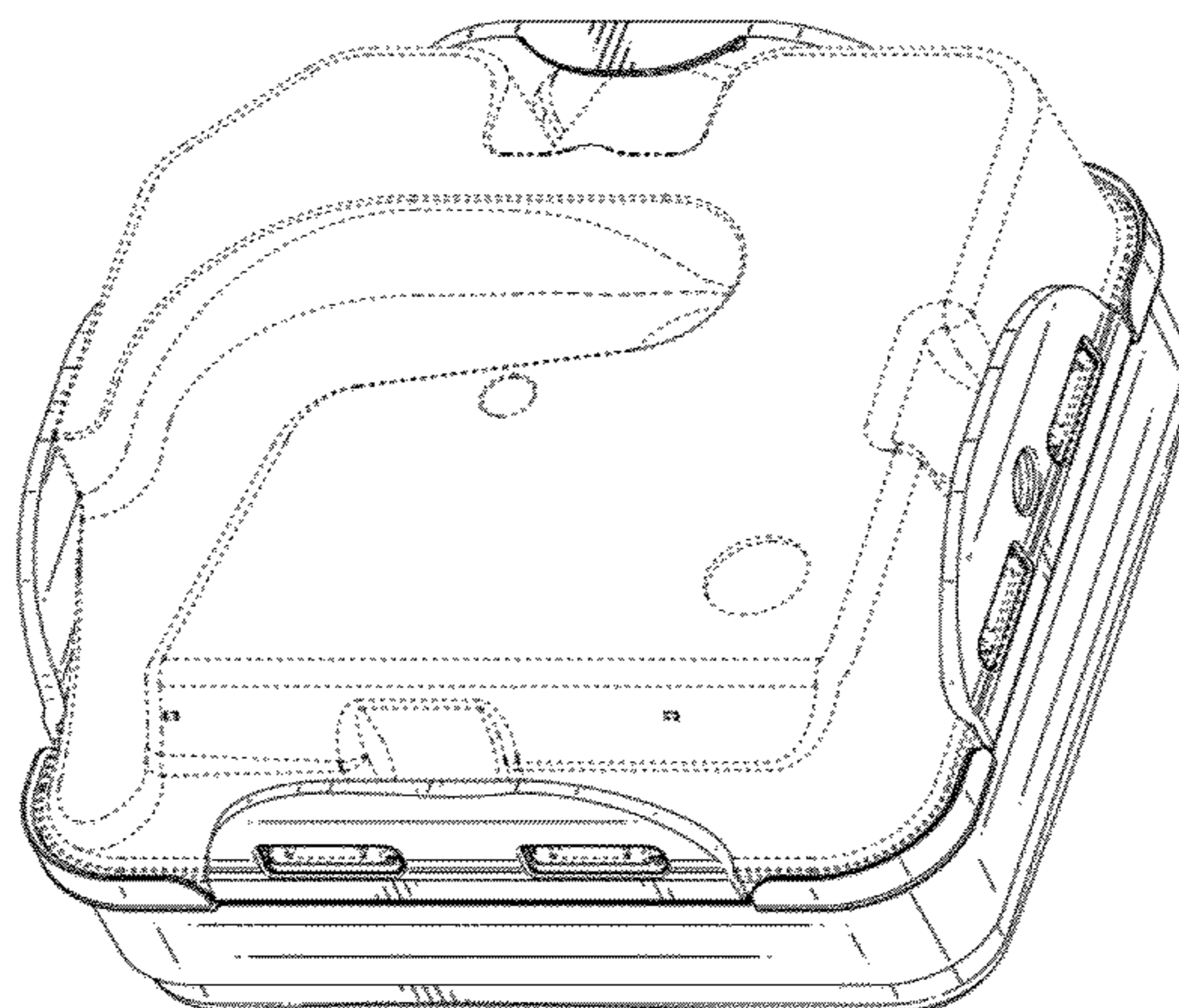
FIG. 4 is a top view thereof;

FIG. 5 is a left side view thereof; and,

FIG. 6 is a right side view thereof.

The broken lines of the humidifier tub represent environment or structure and do not form part of the claimed design.

**1 Claim, 4 Drawing Sheets**



# US D663,412 S

Page 2

## U.S. PATENT DOCUMENTS

D529,514 S 10/2006 Maeda et al.  
D536,441 S 2/2007 Garren et al.  
D548,750 S 8/2007 Neeley et al.  
D553,228 S 10/2007 Virr et al.  
D556,908 S 12/2007 Jones et al.  
D557,407 S 12/2007 Lithgow et al.  
D557,784 S \* 12/2007 Stead ..... D23/364  
D559,483 S 1/2008 Matter et al.  
D561,891 S 2/2008 Lithgow et al.  
D574,941 S \* 8/2008 Weggelaar ..... D23/366  
D578,204 S 10/2008 Lithgow et al.  
D584,809 S \* 1/2009 Porchia et al. .... D23/366  
D585,459 S 1/2009 Jing  
D585,540 S 1/2009 Lithgow et al.  
D586,900 S \* 2/2009 Weggelaar ..... D23/366  
D592,301 S \* 5/2009 Cork et al. .... D24/110  
D593,190 S 5/2009 Glass

D596,648 S \* 7/2009 Jing et al. .... D15/5  
D596,728 S \* 7/2009 Campbell et al. .... D23/364  
D598,534 S \* 8/2009 Marchesini ..... D23/365  
D604,830 S \* 11/2009 Lithgow et al. .... D24/110  
D605,273 S 12/2009 Mallet-Roulon  
D605,285 S 12/2009 Garren et al.  
D612,480 S 3/2010 Cork et al.  
D626,642 S 11/2010 Virr et al.  
D630,310 S 1/2011 Beland et al.  
D635,232 S 3/2011 Virr et al.  
2003/0029143 A1 2/2003 Arden et al.  
2003/0029145 A1 2/2003 Sudoh  
2003/0182907 A1 10/2003 Steele

## OTHER PUBLICATIONS

Virr et al., U.S. Appl. No. 29/371,042, filed Sep. 28, 2010.

\* cited by examiner

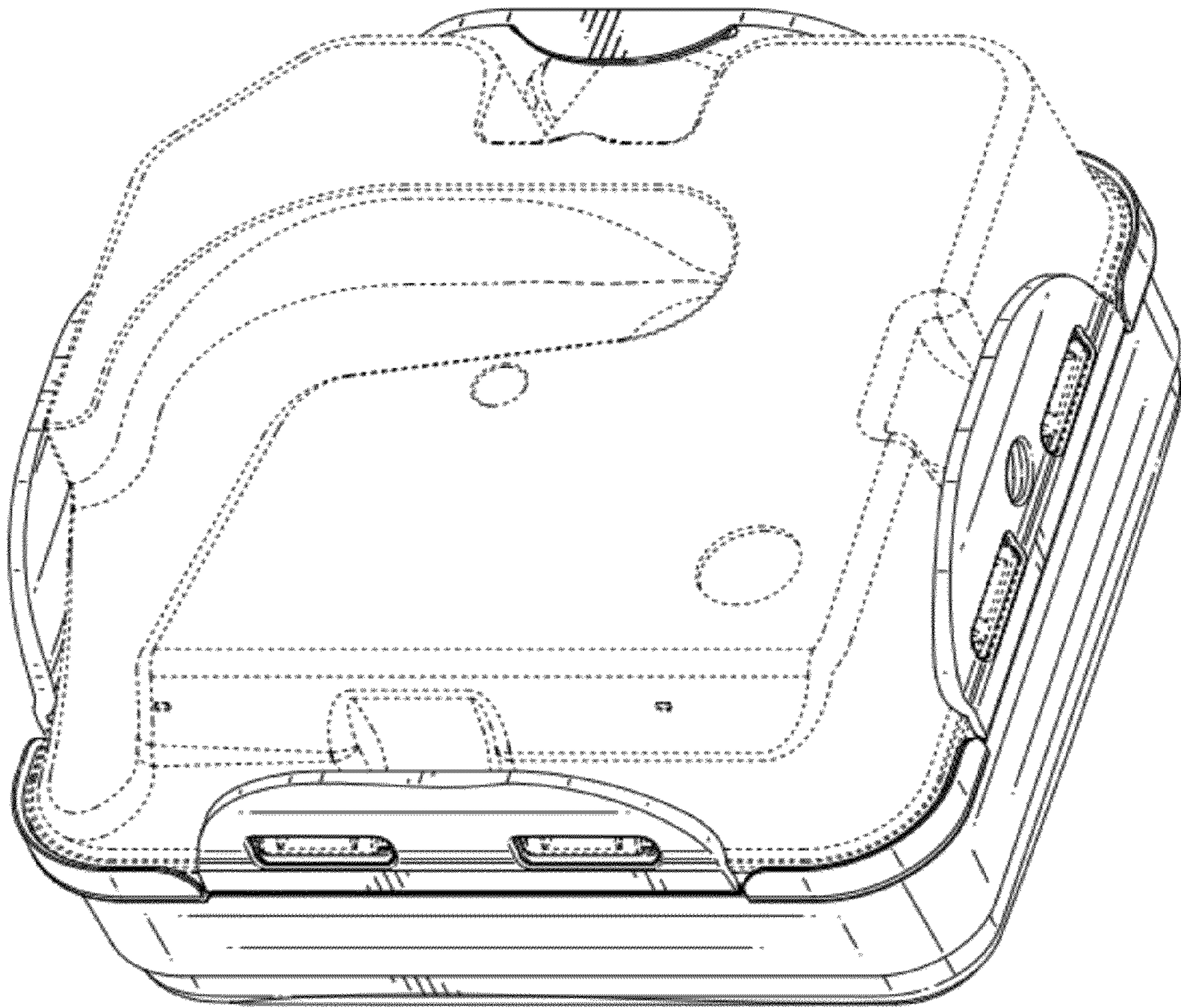


Figure 1

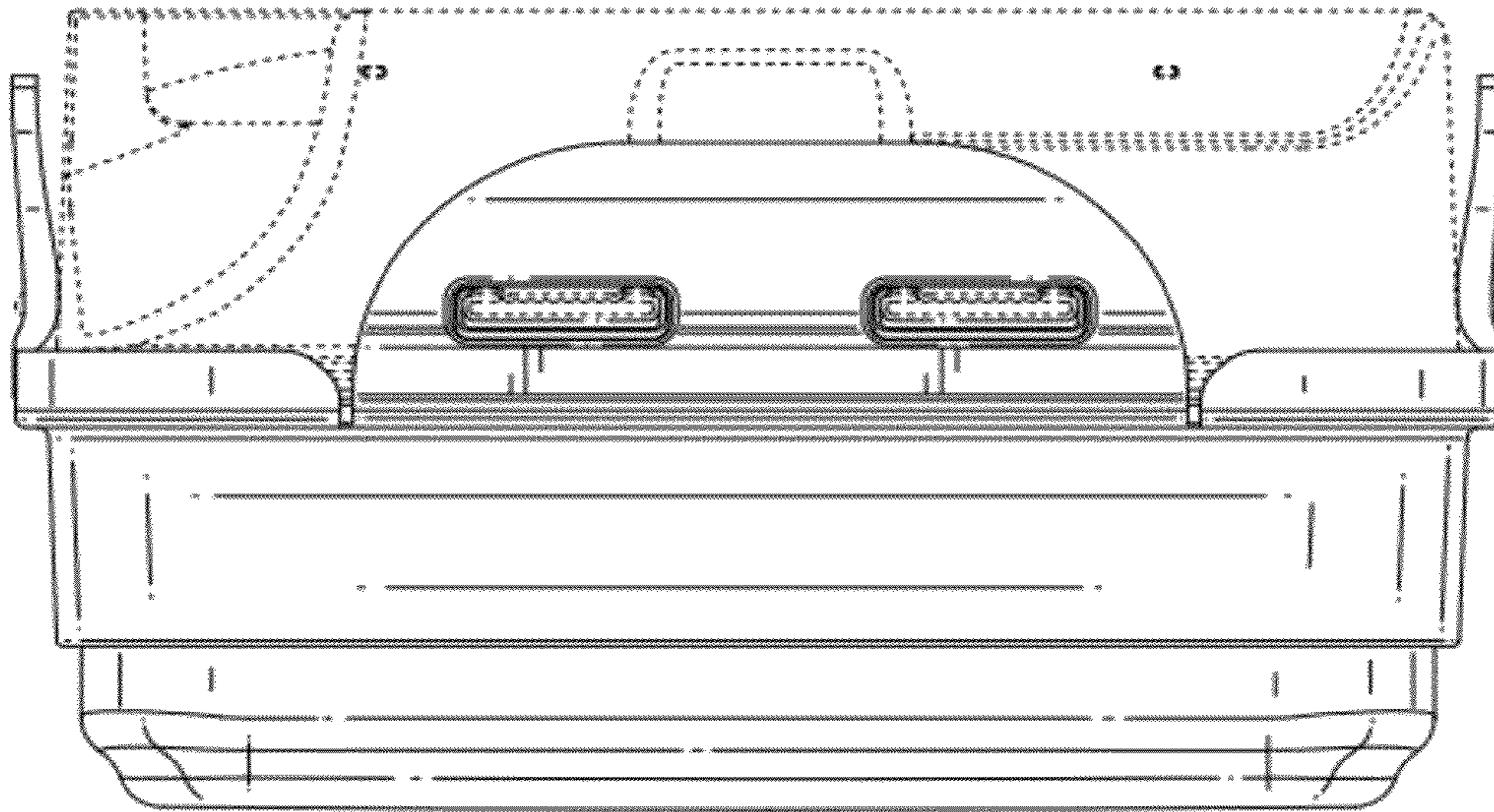


Figure 2

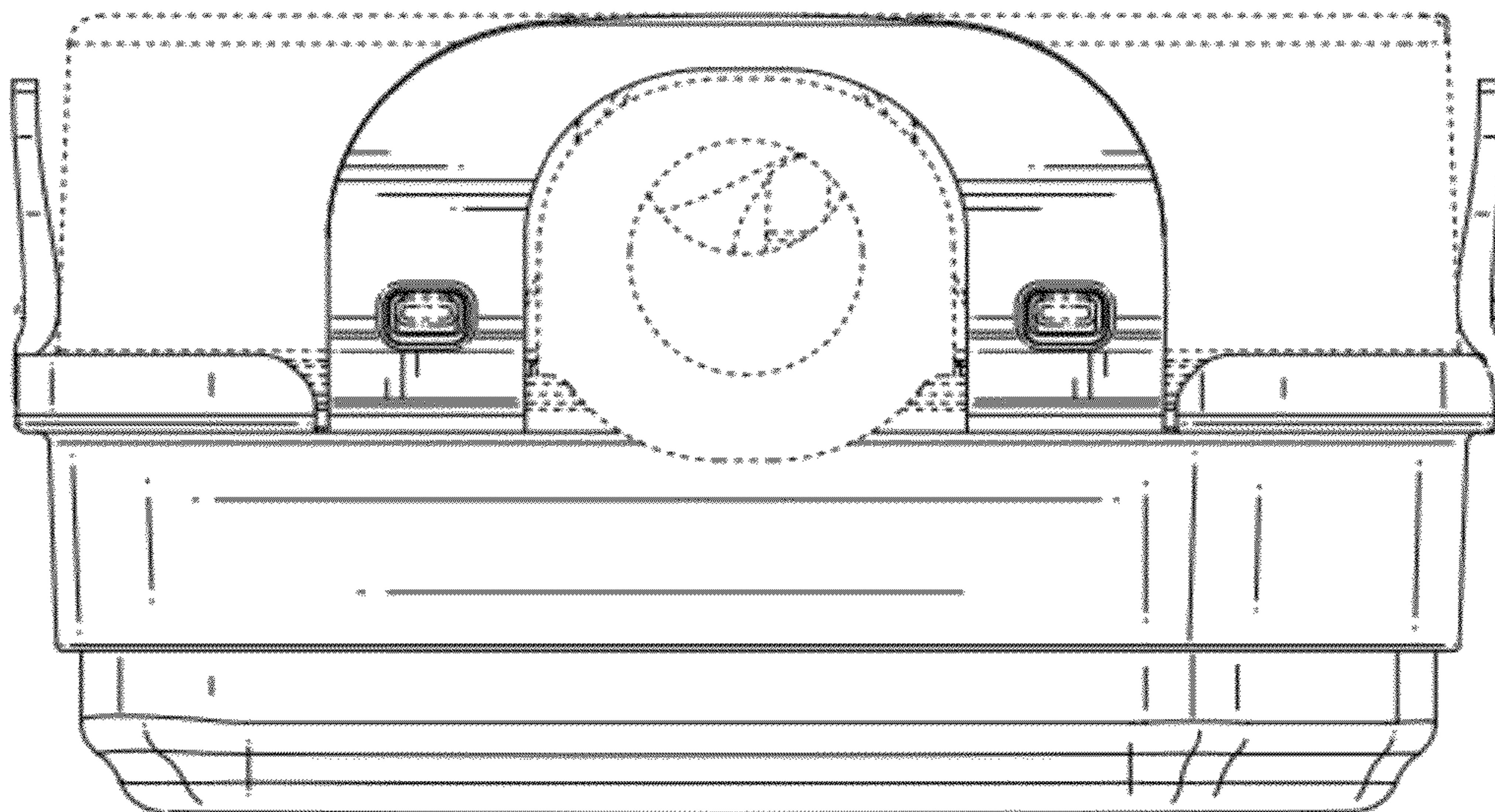


Figure 3

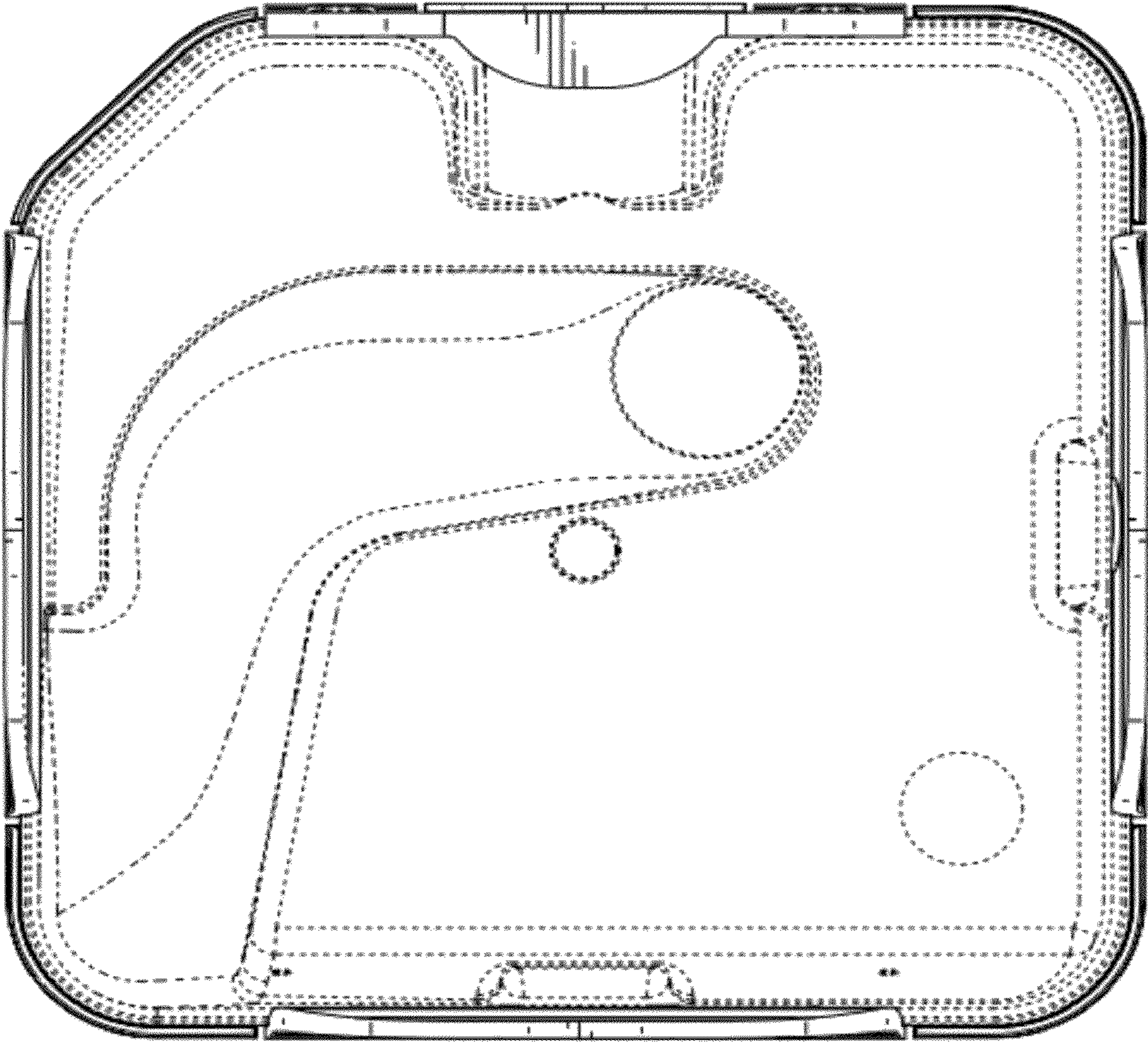


Figure 4

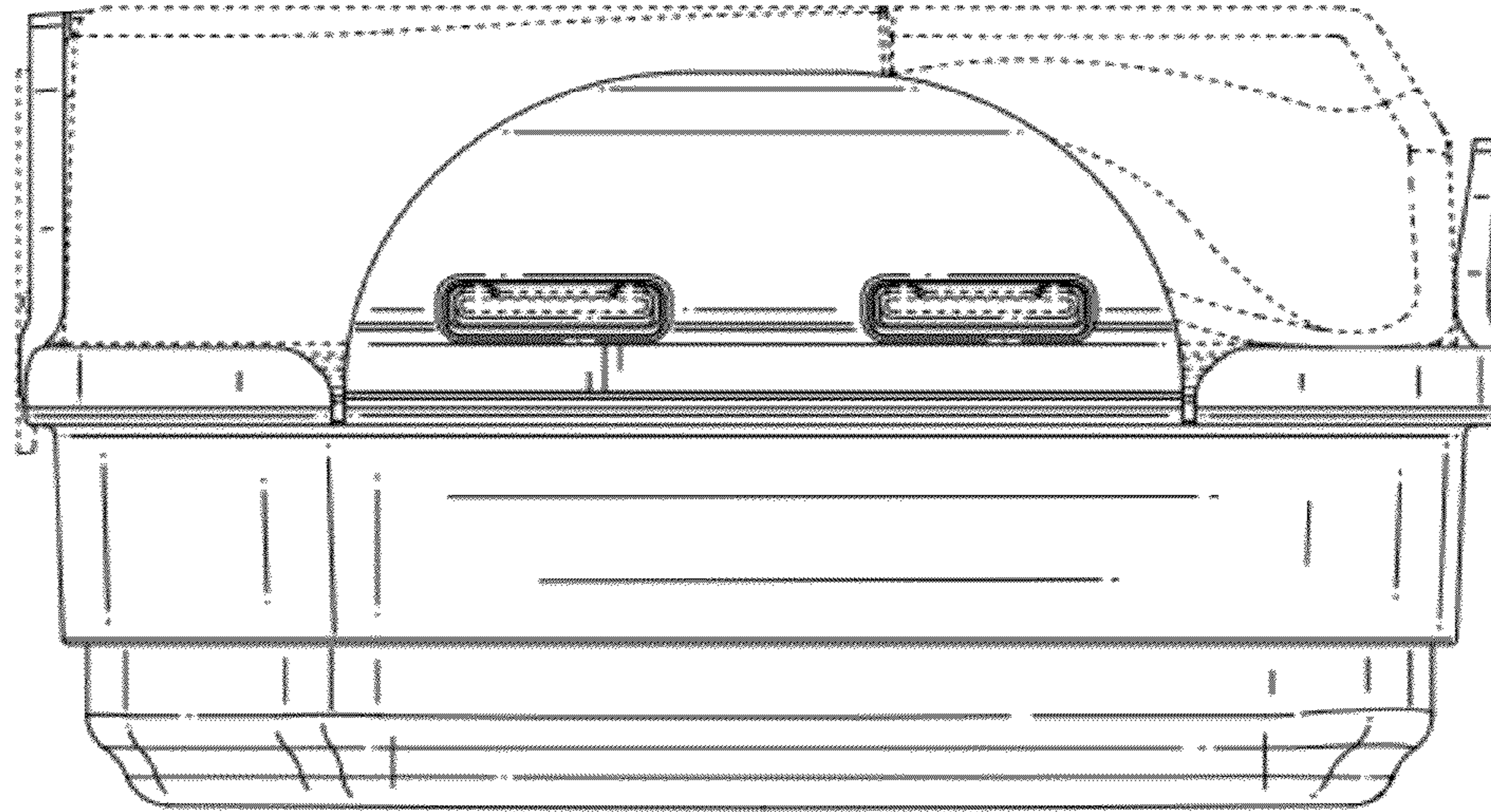


Figure 5

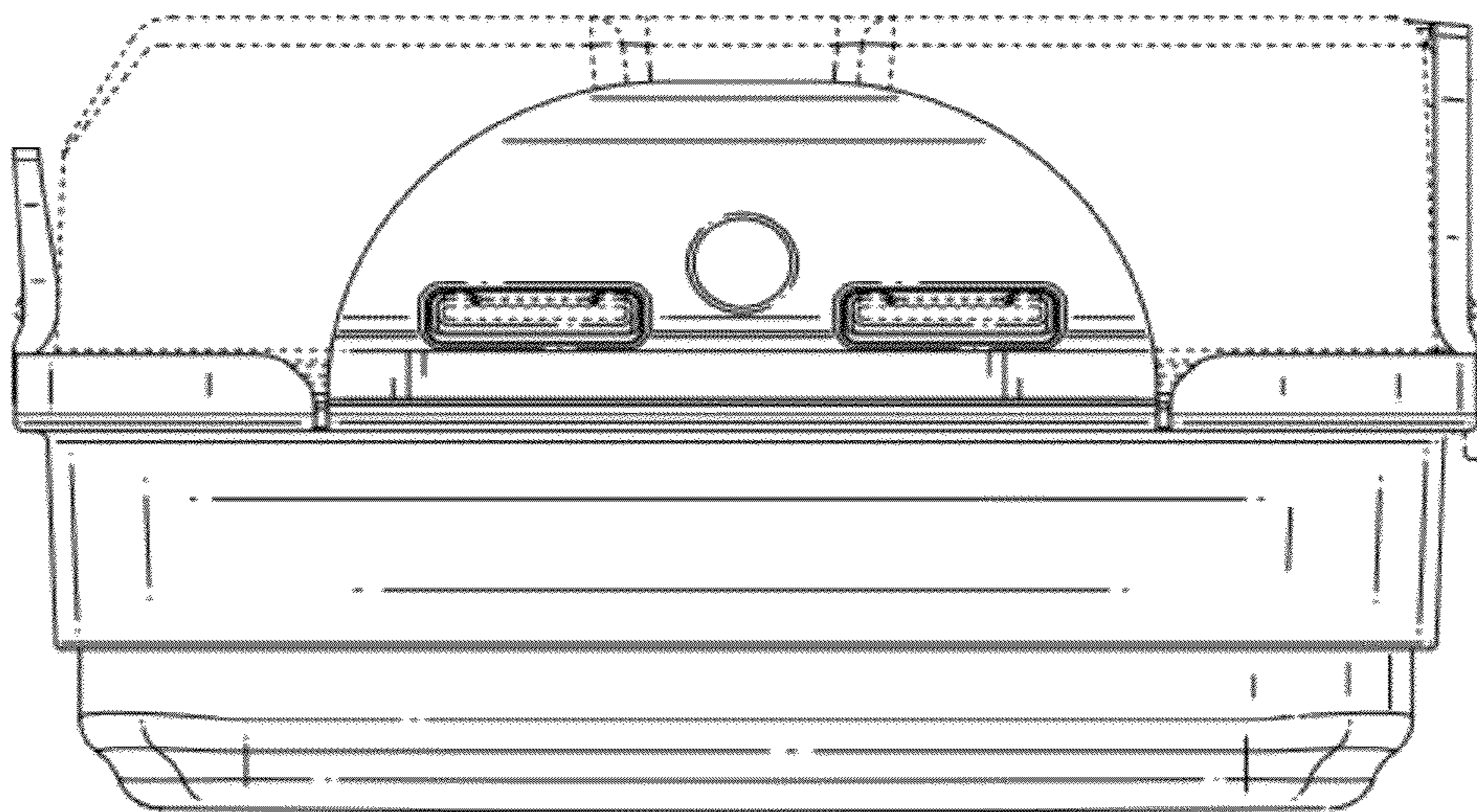


Figure 6