



US00D663411S

(12) **United States Design Patent**
Naya et al.

(10) **Patent No.:** **US D663,411 S**

(45) **Date of Patent:** **** Jul. 10, 2012**

(54) **IMPELLER OF AN ELECTRIC FAN**

(75) Inventors: **Tomohiko Naya**, Osaka (JP); **Yasushi Kamada**, Kyoto (JP); **Masao Kojima**, Osaka (JP)

(73) Assignee: **Panasonic Corporation**, Osaka (JP)

(**) Term: **14 Years**

(21) Appl. No.: **29/378,200**

(22) Filed: **Nov. 1, 2010**

(30) **Foreign Application Priority Data**

May 19, 2010 (JP) 2010-012298

(51) **LOC (9) Cl.** **23-04**

(52) **U.S. Cl.** **D23/411**

(58) **Field of Classification Search** D6/309;
D13/179; D23/370-386, 411-414; 165/80.3,
165/120-122, 900; 310/12.13, 26, 52, 58,
310/60 A, 60 R, 61-65, 112, 125, 156.35-156.37,
310/157, 211, 261.1, 266, 268; 361/679.48,
361/694-697; 392/365, 373, 382, 383; 415/60,
415/66, 68, 175-178, 206, 208.1, 211.2,
415/213.1, 214.1, 215.1; 416/179, 185, 186 R,
416/187, 244 R, 246, 247 R

See application file for complete search history.

(56) **References Cited**

U.S. PATENT DOCUMENTS

D304,230 S * 10/1989 Wang D23/386
7,108,482 B2 * 9/2006 Chapman 416/185

D530,006 S * 10/2006 Li et al. D23/414
D533,935 S * 12/2006 Chen D23/411
D561,323 S * 2/2008 Shirahama et al. D23/370
D561,324 S * 2/2008 Shirahama et al. D23/370
D561,325 S * 2/2008 Shirahama et al. D23/370
D625,402 S * 10/2010 Yen et al. D23/370
2007/0009353 A1 * 1/2007 Huang et al. 415/206
2008/0226447 A1 * 9/2008 Burias 415/206

FOREIGN PATENT DOCUMENTS

JP D1307496 8/2007
JP D1345728 12/2008
JP D1383199 3/2010

* cited by examiner

Primary Examiner — Garth Rademaker

(74) *Attorney, Agent, or Firm* — Brinks Hofer Gilson & Lione

(57) **CLAIM**

We claim the ornamental design for an impeller of electric fan, as shown and described.

DESCRIPTION

FIG. 1 is a front perspective view of an impeller of electric fan of the present invention;
FIG. 2 is a rear perspective view thereof;
FIG. 3 is a front view thereof;
FIG. 4 is a rear view thereof; and,
FIG. 5 is a left side view thereof, the right side view, the top view and the bottom view each being a mirror image of the left side view.

1 Claim, 5 Drawing Sheets

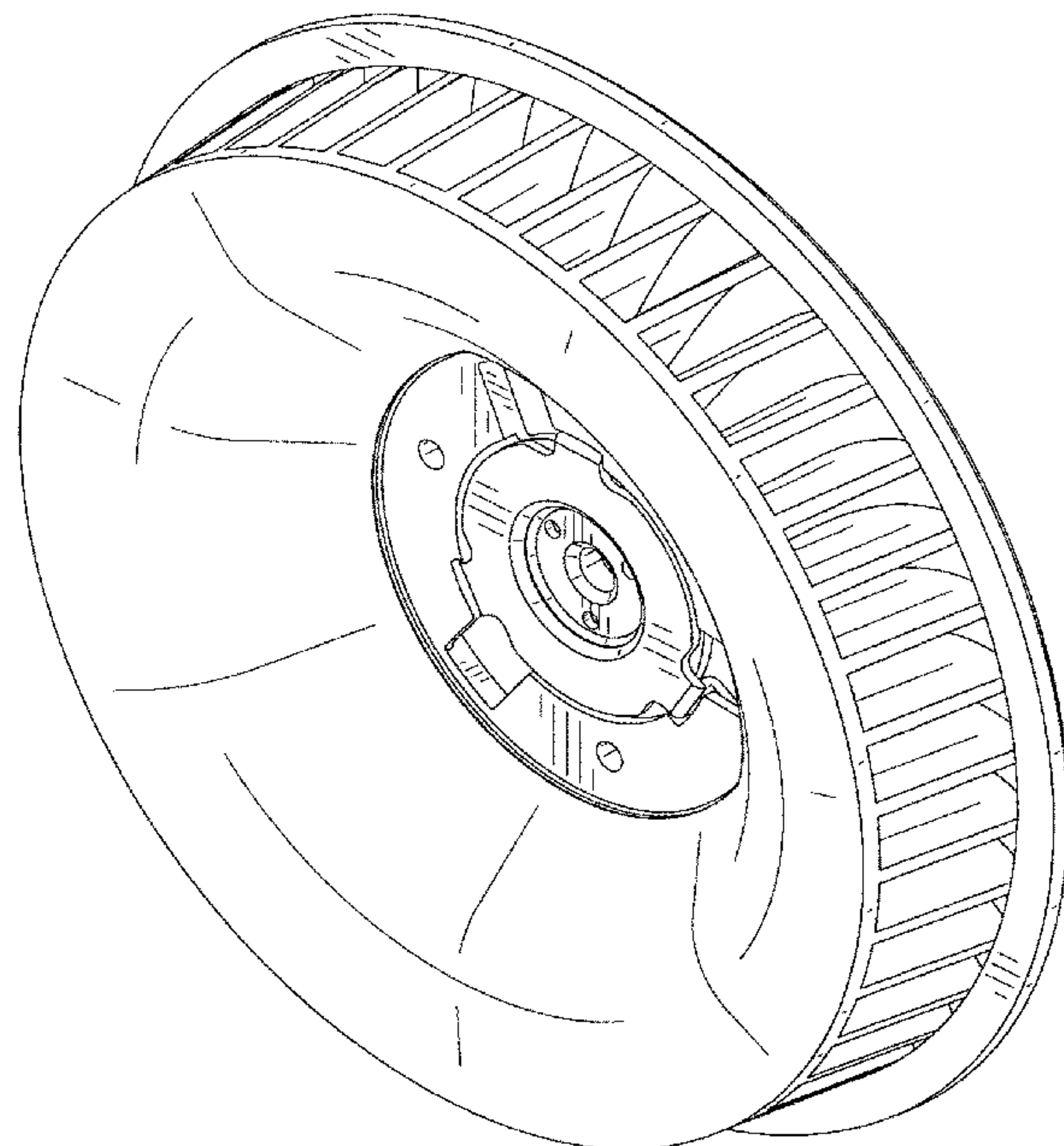
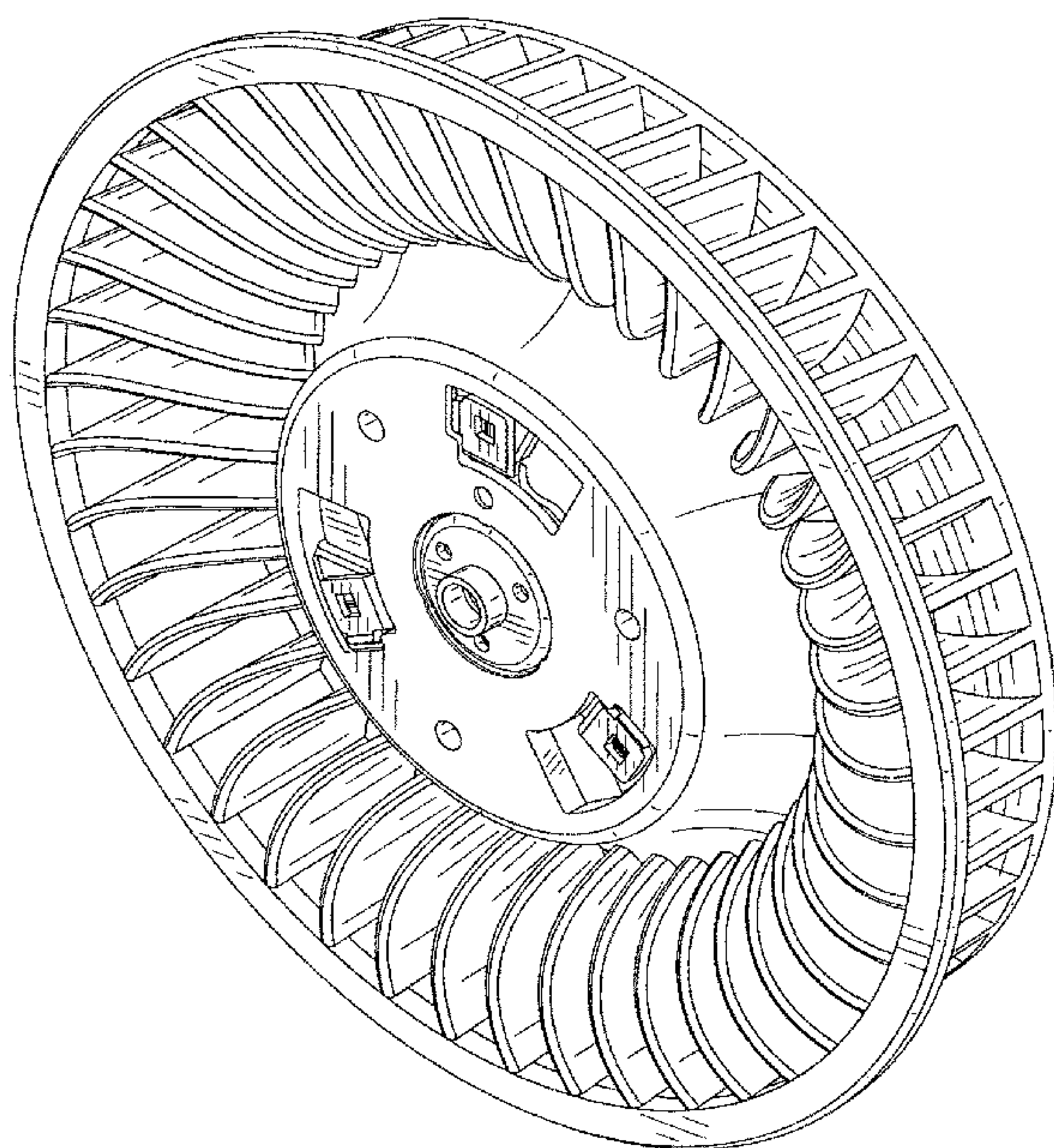


FIG.1

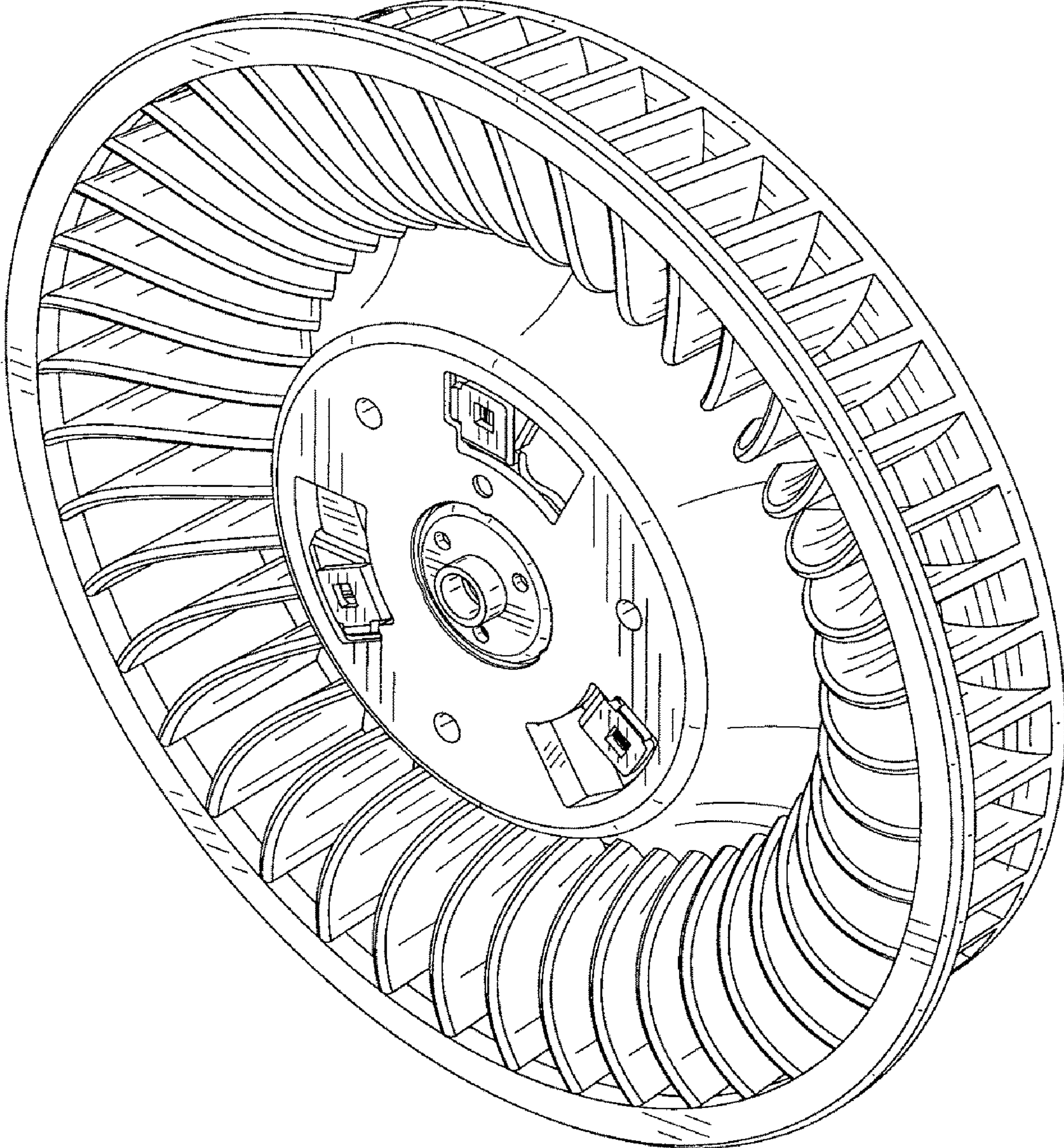


FIG.2

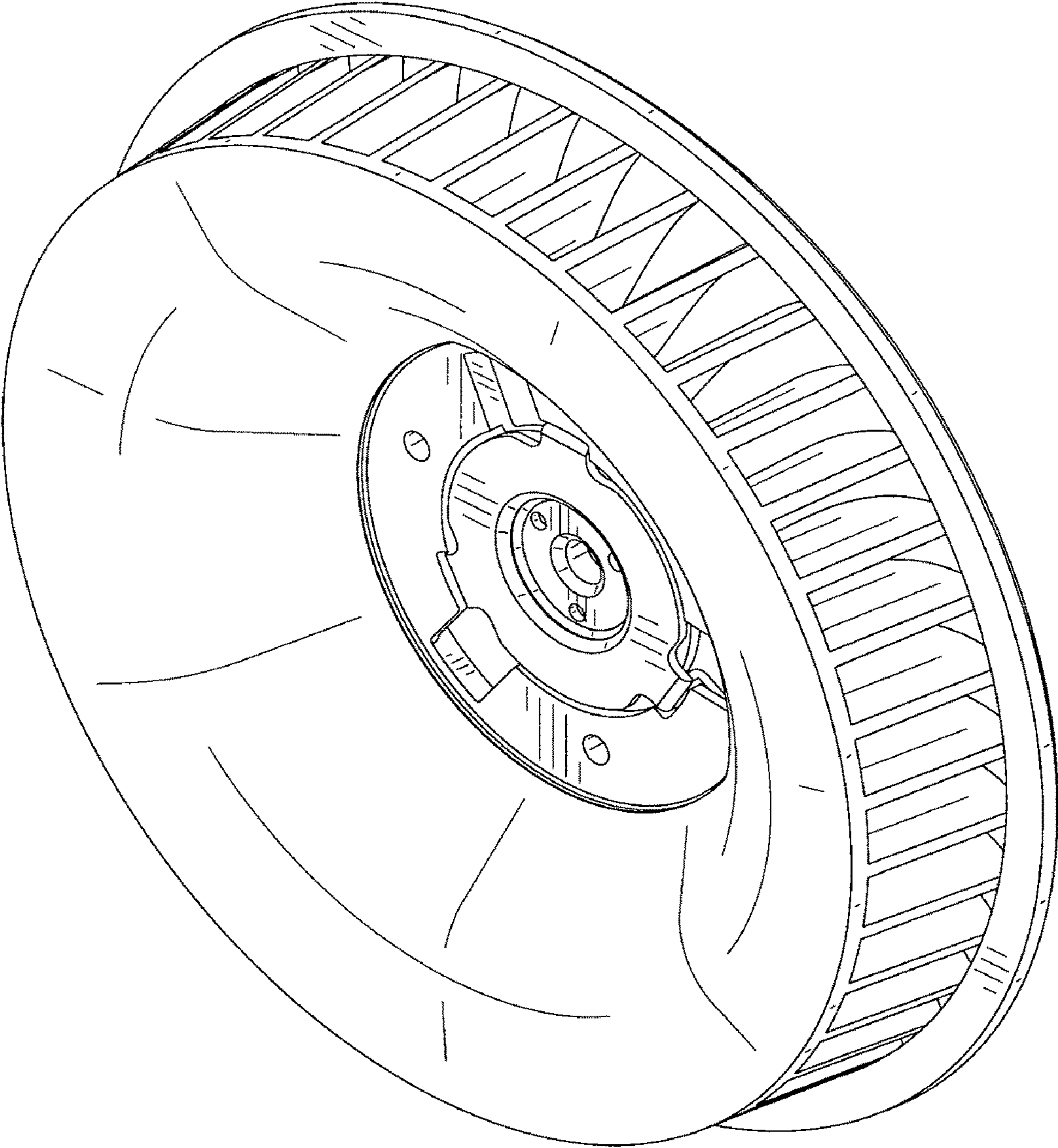


FIG.3

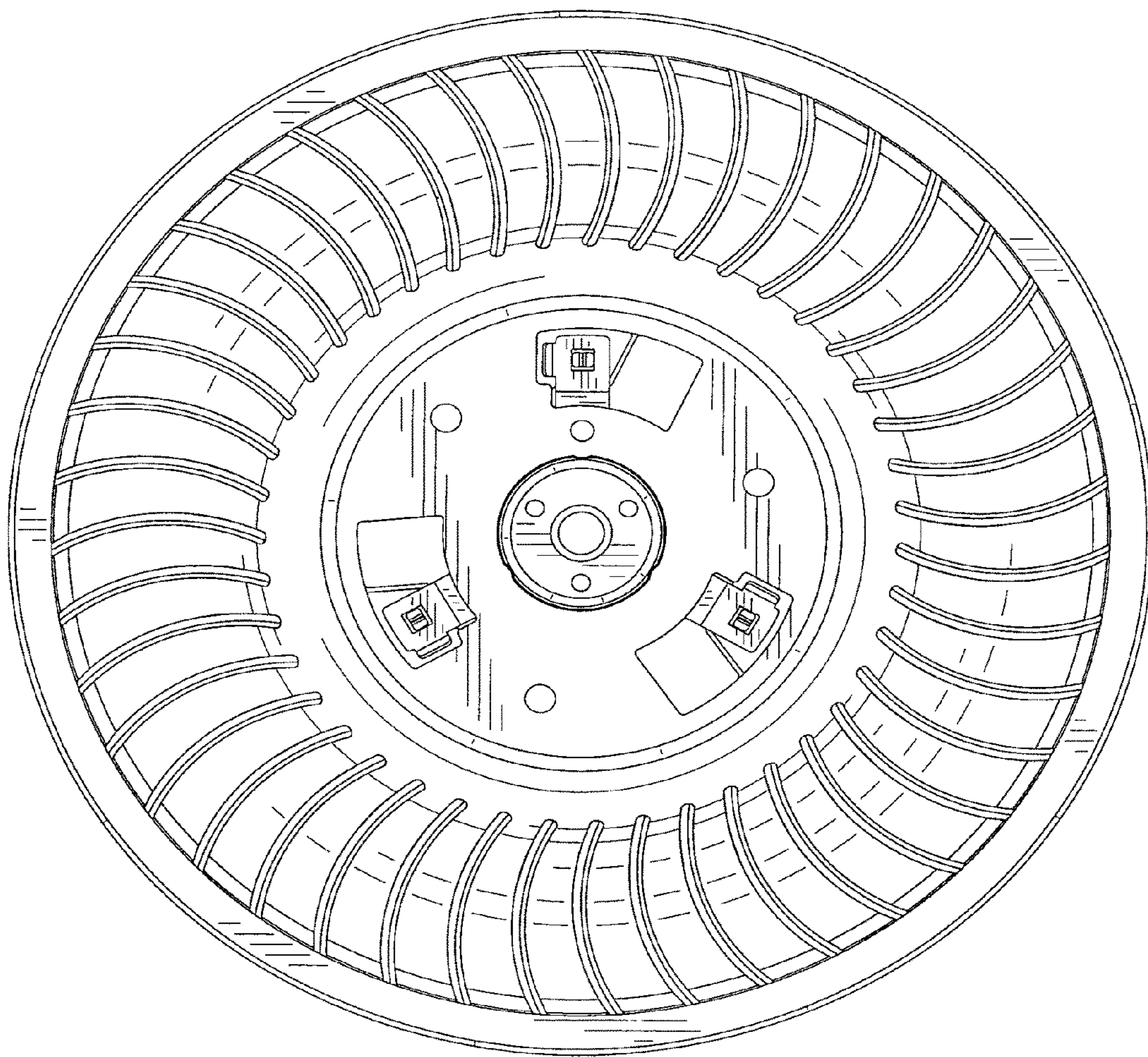


FIG.4

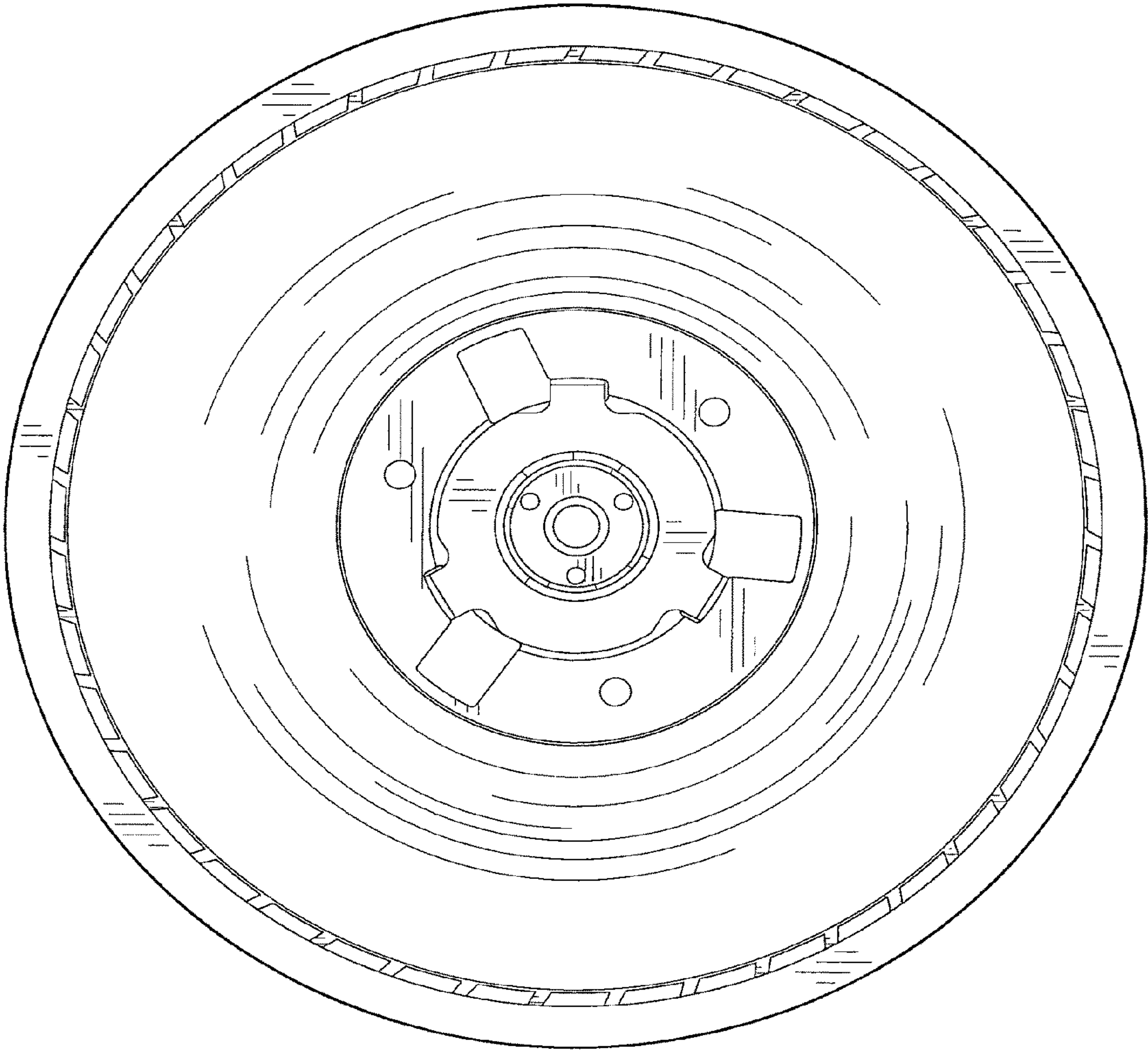


FIG.5

