



US00D663406S

(12) **United States Design Patent**
Browder

(10) **Patent No.:** **US D663,406 S**

(45) **Date of Patent:** **** *Jul. 10, 2012**

(54) **HEATING PLATE**

(75) Inventor: **John Browder**, Argyle, TX (US)

(73) Assignee: **IDC Enchanted Lighting Company, LLC**, Roanoke, TX (US)

(*) Notice: This patent is subject to a terminal disclaimer.

(**) Term: **14 Years**

(21) Appl. No.: **29/412,726**

(22) Filed: **Feb. 7, 2012**

Related U.S. Application Data

(63) Continuation of application No. 29/405,477, filed on Nov. 2, 2011, now Pat. No. Des. 656,600.

(51) **LOC (9) Cl.** **28-99**

(52) **U.S. Cl.** **D23/366**

(58) **Field of Classification Search** D23/355-369; D28/5, 6; 261/DIG. 17, DIG. 42, DIG. 65, 261/DIG. 88, DIG. 89; 392/386, 390, 394, 392/395; 239/34, 44, 53, 55, 56, 326
See application file for complete search history.

(56) **References Cited**

U.S. PATENT DOCUMENTS

4,161,284	A *	7/1979	Rattan	239/43
4,849,606	A *	7/1989	Martens et al.	392/390
6,037,574	A *	3/2000	Lanham et al.	219/544
6,141,496	A *	10/2000	Sundberg et al.	392/390
6,289,176	B1 *	9/2001	Martter et al.	392/392
D451,990	S *	12/2001	Millet	D23/366
D520,129	S *	5/2006	Sevy	D23/367

D565,164	S *	3/2008	Duston et al.	D23/366
7,398,013	B2 *	7/2008	He et al.	392/394
D589,471	S *	3/2009	Komatsu	D13/182
D610,666	S *	2/2010	Furner et al.	D23/366
D649,237	S *	11/2011	Bilko et al.	D23/366
D653,744	S *	2/2012	Li	D23/366

* cited by examiner

Primary Examiner — Sandra Snapp
(74) *Attorney, Agent, or Firm* — Brian Harris

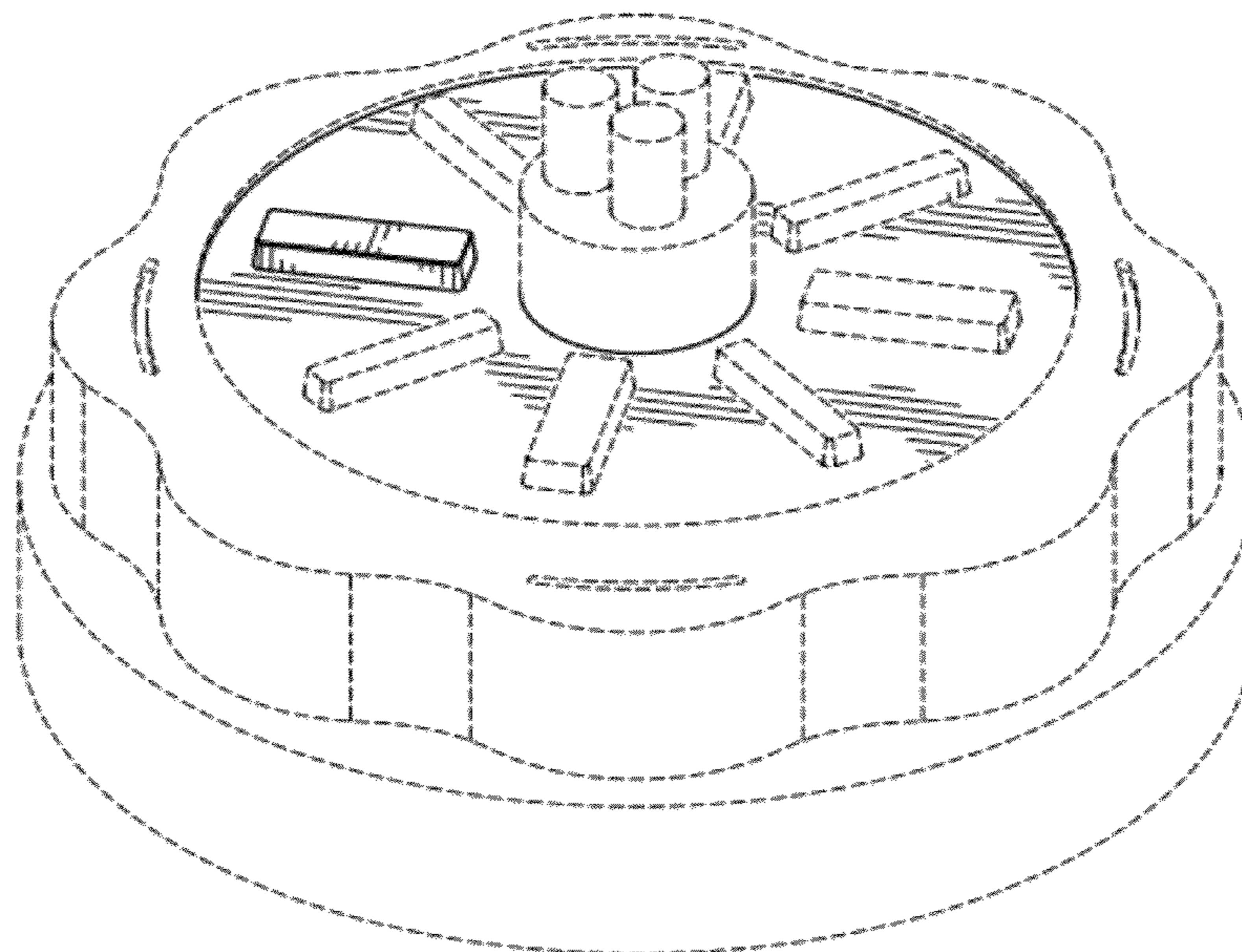
(57) **CLAIM**

The ornamental design for a heating plate, as shown and described.

DESCRIPTION

FIG. 1 is a perspective view of a first embodiment of a heating plate showing my new design; FIG. 2 is a second perspective view thereof; FIG. 3 is a top view thereof; FIG. 4 is a front view thereof, the back view being a mirror image thereof; FIG. 5 is a right side view thereof, the left side view thereof being substantially identical thereto; FIG. 6 is a perspective view of a second embodiment of a heating plate showing my new design; FIG. 7 is a second perspective view thereof; FIG. 8 is a top view thereof; FIG. 9 is a front view thereof, the back view being a mirror image thereof; and, FIG. 10 is a right side view thereof, the left side view thereof being substantially identical thereto. The appearance of the bottom side forms no part of the claimed design. The broken lines form no part of the claimed design.

1 Claim, 4 Drawing Sheets



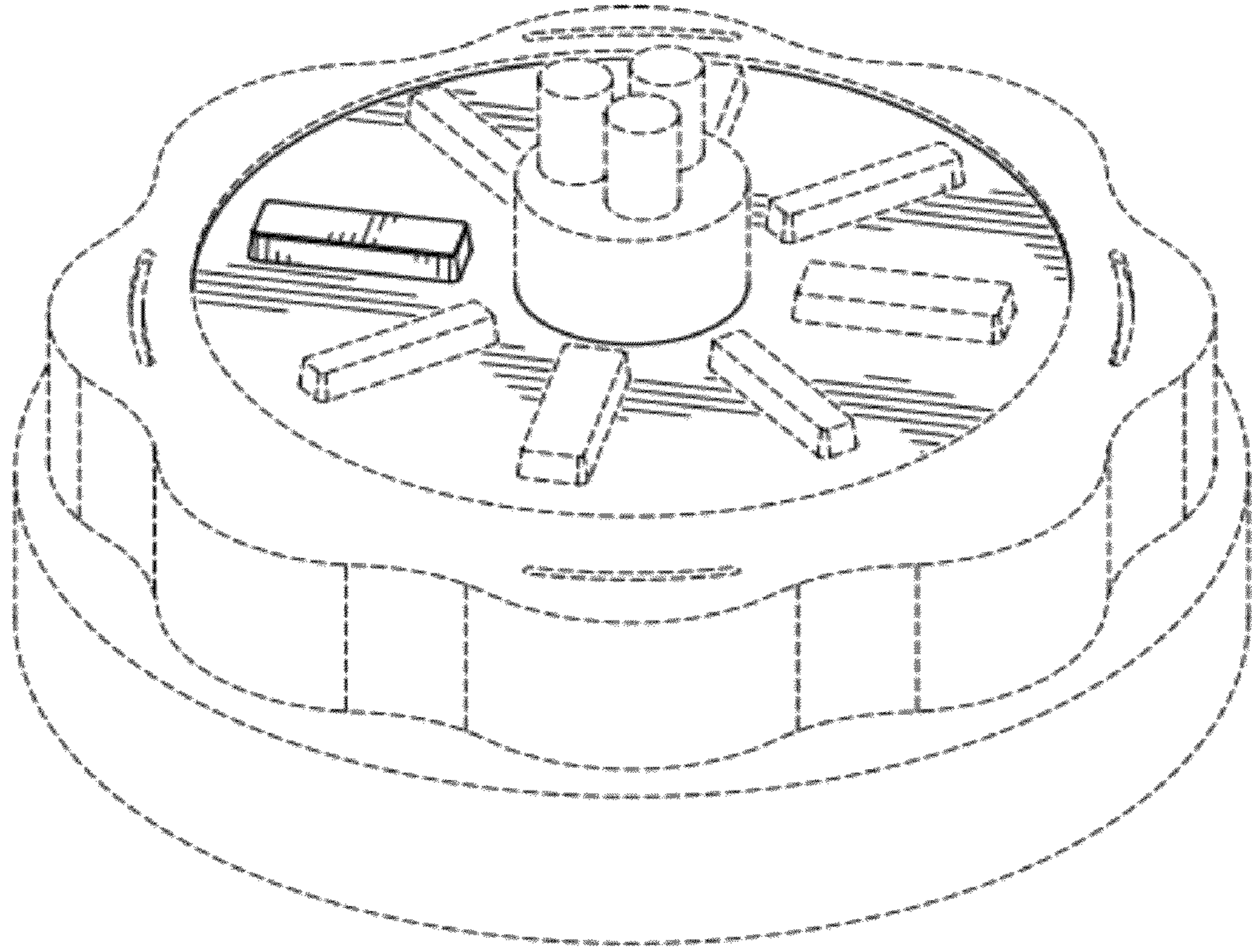


FIG. 1

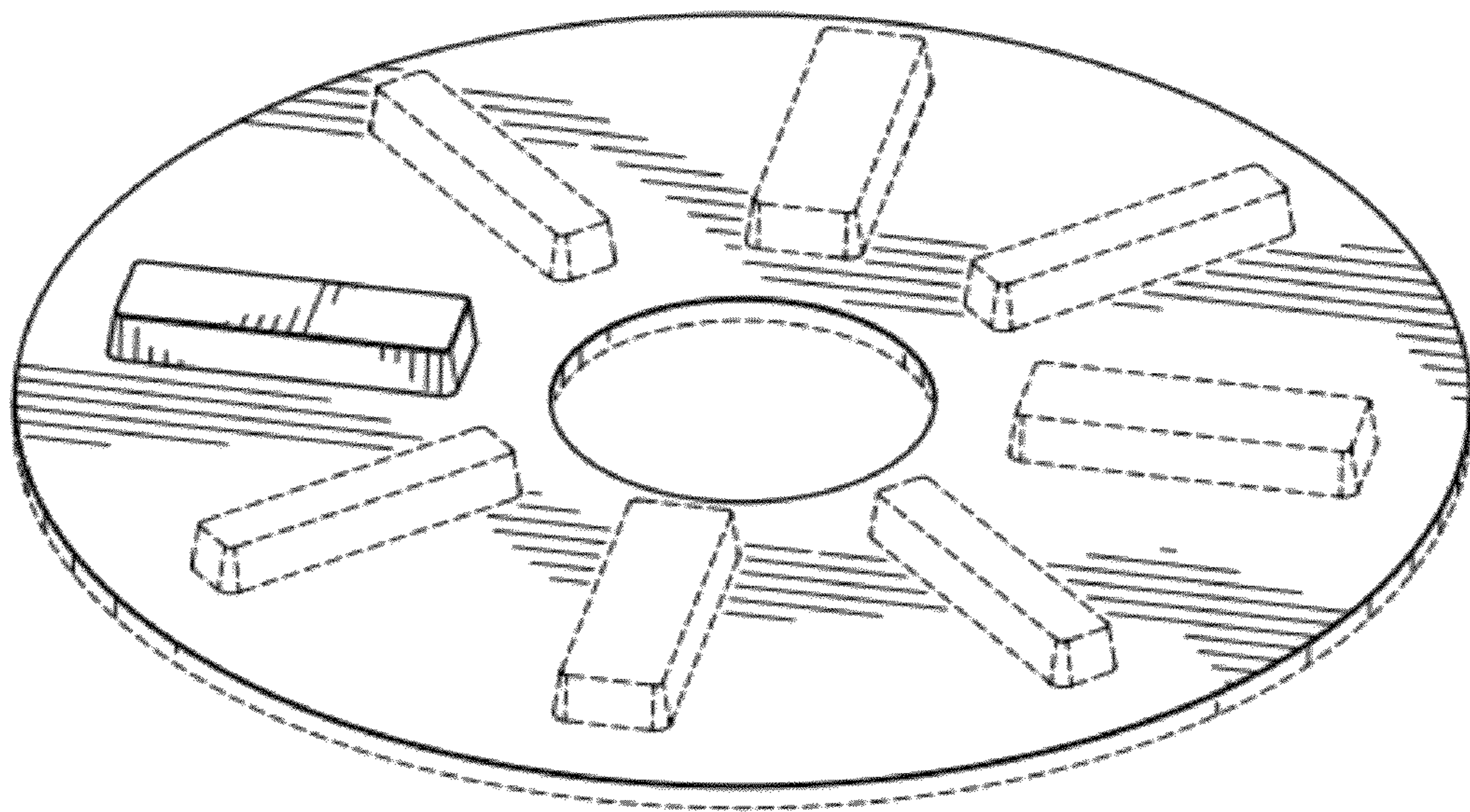


FIG. 2

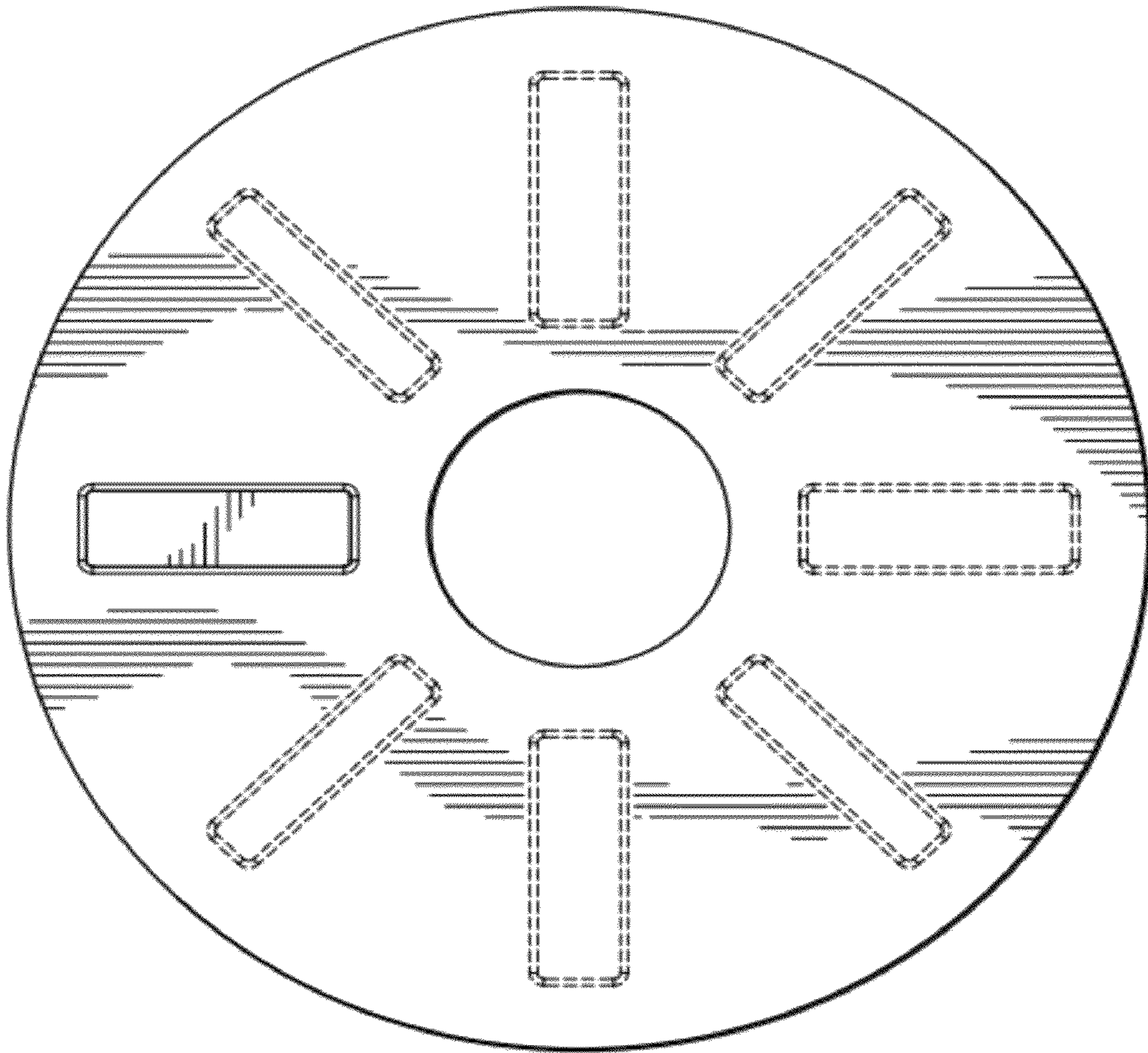


FIG. 3

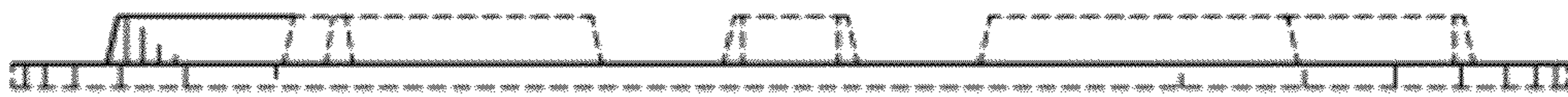


FIG. 4

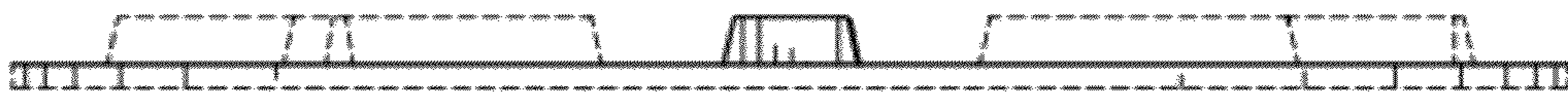


FIG. 5

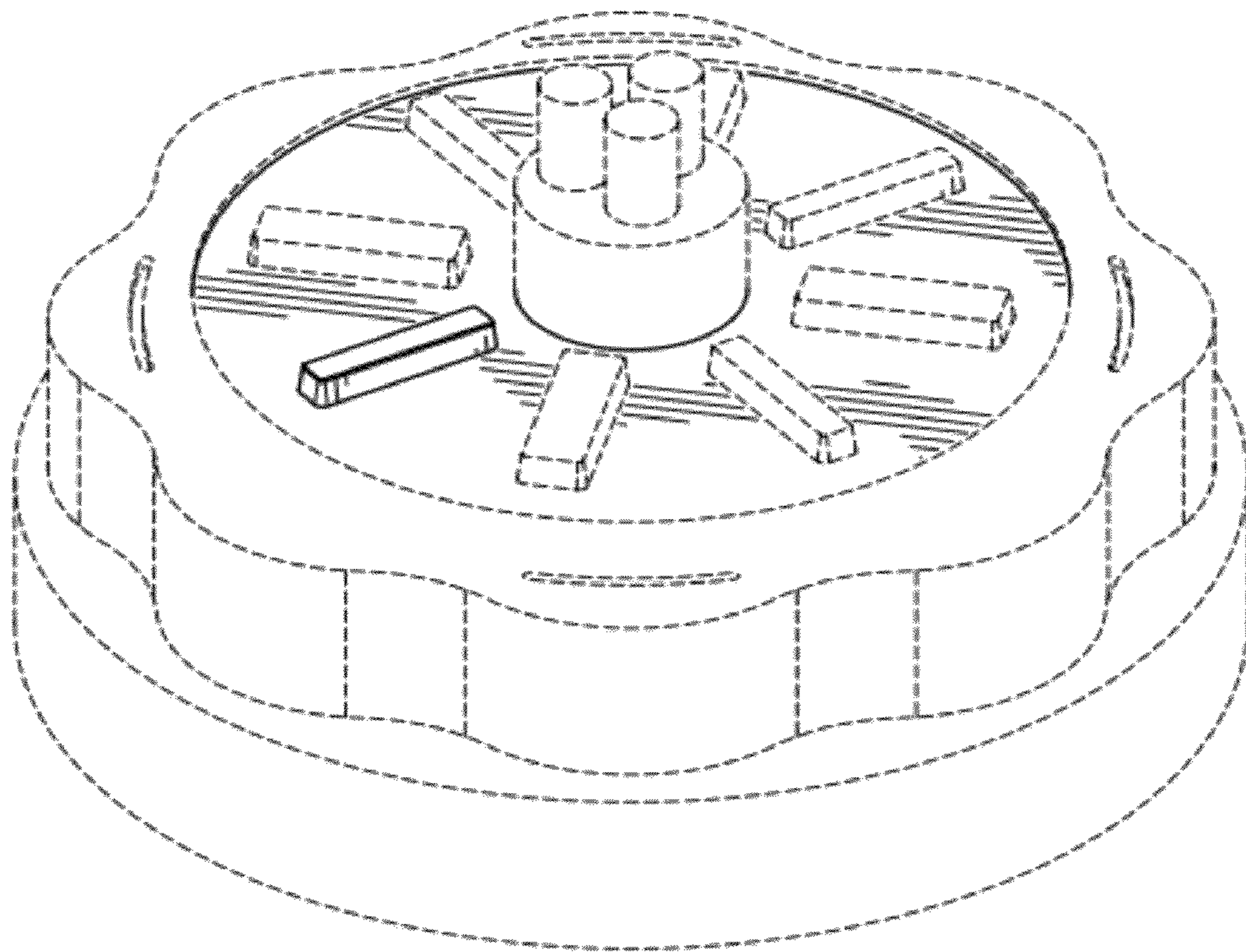


FIG. 6

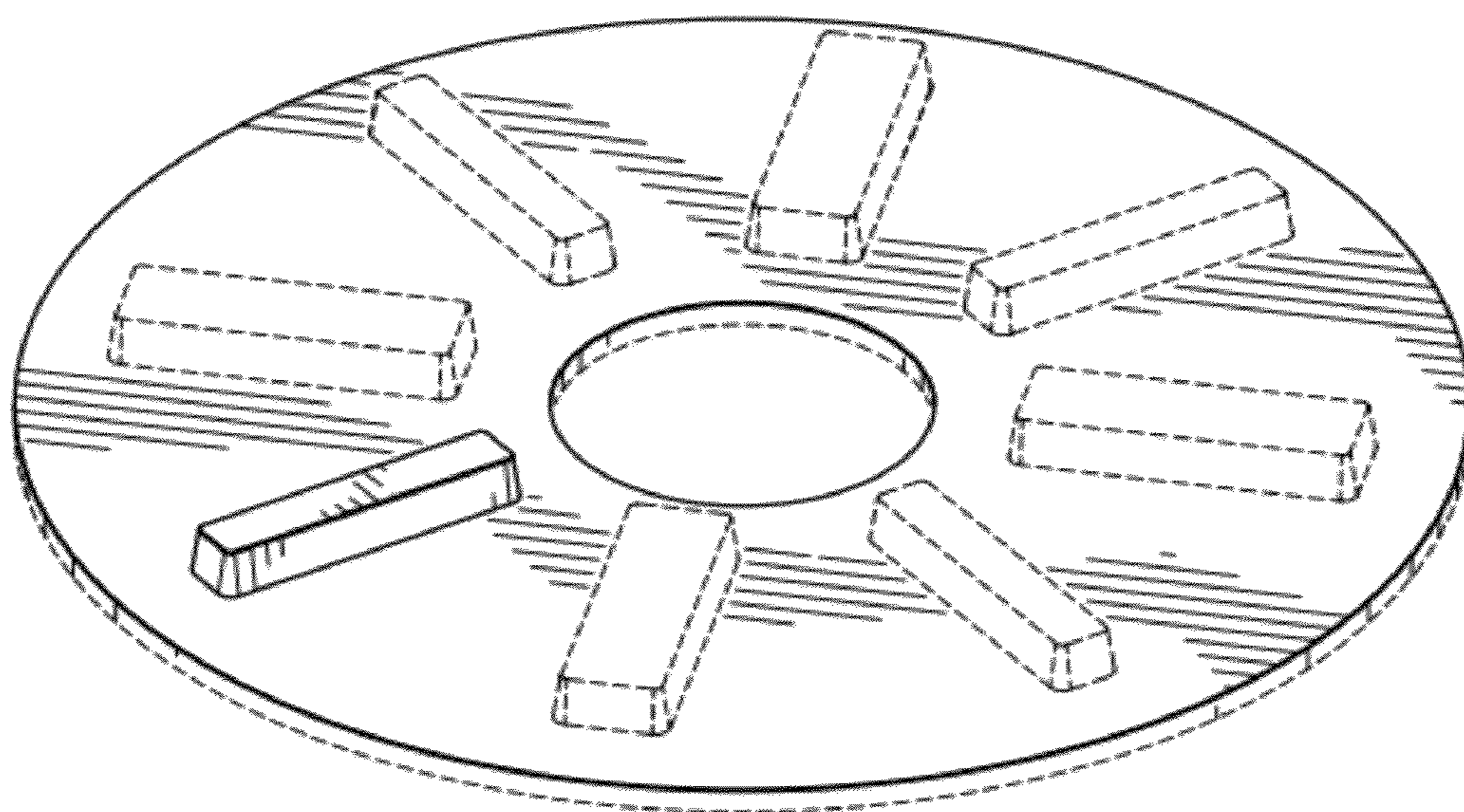


FIG. 7

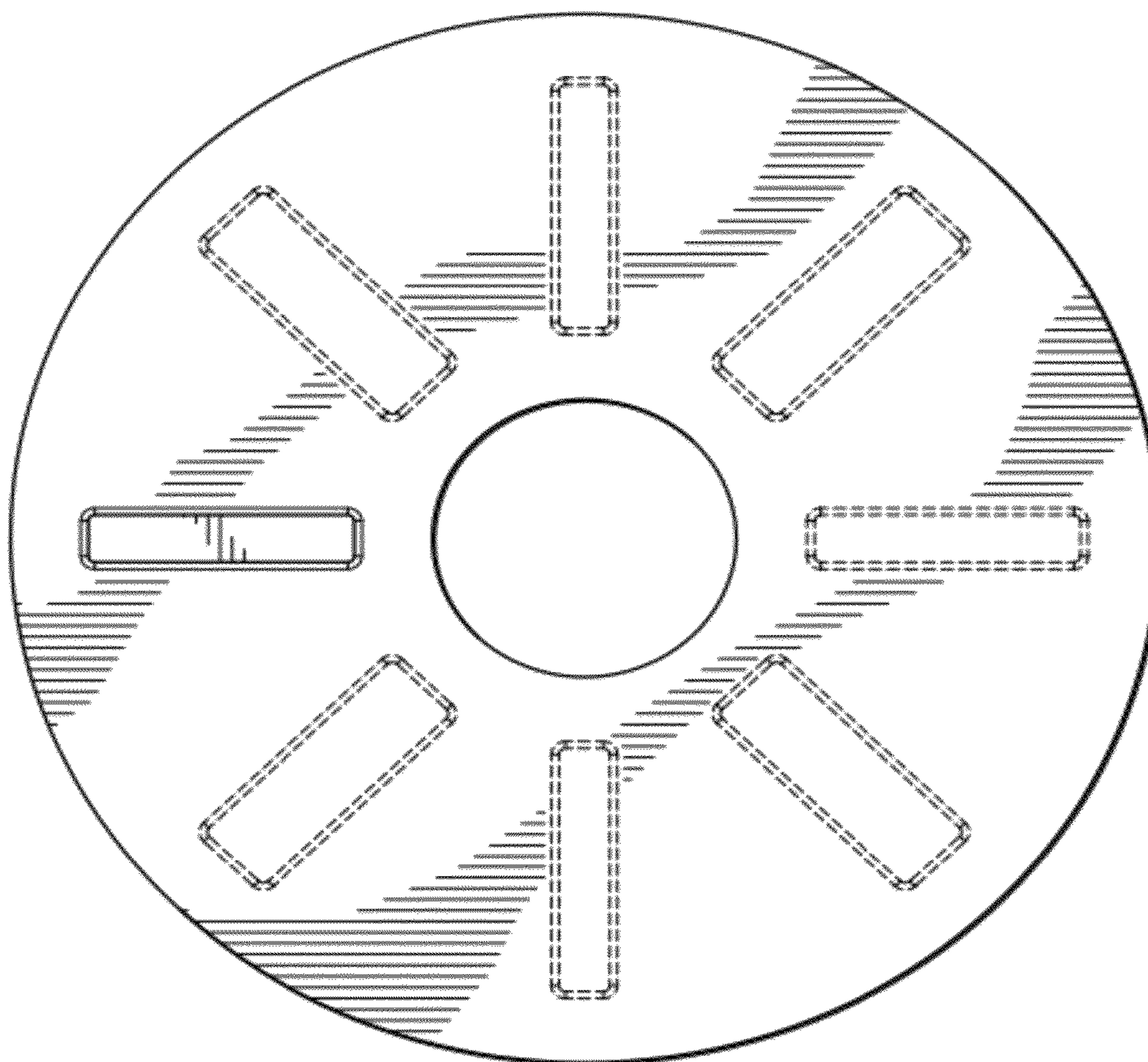


FIG. 8



FIG. 9



FIG. 10