



US00D663403S

(12) **United States Design Patent**
Brandenburg et al.

(10) **Patent No.:** **US D663,403 S**
(45) **Date of Patent:** **** Jul. 10, 2012**

(54) **AIR FRESHENER DEVICE**

DESCRIPTION

(75) Inventors: **Kyle Brandenburg**, Middletown, DE (US); **Frank M. Lesniak**, Media, PA (US)
(73) Assignee: **Brandywine Product Group International**, Wilmington, DE (US)
(**) Term: **14 Years**
(21) Appl. No.: **29/408,934**
(22) Filed: **Dec. 19, 2011**
(51) **LOC (9) Cl.** **28-99**
(52) **U.S. Cl.** **D23/366**
(58) **Field of Classification Search** D23/355-369; D28/5, 6; 261/DIG. 17, DIG. 42, DIG. 65, 261/DIG. 88, DIG. 89; 392/386, 390, 394, 392/395; 239/34, 44, 53, 55, 56, 326
See application file for complete search history.

FIG. 1 is a front perspective view of a first embodiment of an air freshener device showing the invention;
FIG. 2 is a top plan view of the air freshener device of FIG. 1;
FIG. 3 is a bottom plan view of the air freshener device of FIG. 1;
FIG. 4 is a front elevation view of the air freshener device of FIG. 1;
FIG. 5 is a rear elevation view of the air freshener device of FIG. 1;
FIG. 6 is a right side elevation view of the air freshener device of FIG. 1, the left side elevation view being a mirror image thereof;
FIG. 7 is a front perspective view of a second embodiment of the air freshener device showing the invention;
FIG. 8 is a top plan view of the air freshener device of FIG. 7;
FIG. 9 is a bottom plan view of the air freshener device of FIG. 7;
FIG. 10 is a front elevation view of the air freshener device of FIG. 7;
FIG. 11 is a rear elevation view of the air freshener device of FIG. 7;
FIG. 12 is a right side elevation view of the air freshener device of FIG. 7, the left side elevation view being a mirror image thereof;
FIG. 13 is a front perspective view of a third embodiment of the air freshener device showing the invention;
FIG. 14 is a top plan view of the air freshener device of FIG. 13;
FIG. 15 is a bottom plan view of the air freshener device of FIG. 13;
FIG. 16 is a front elevation view of the air freshener device of FIG. 13;
FIG. 17 is a rear elevation view of the air freshener device of FIG. 13; and,
FIG. 18 is a right side elevation view of the air freshener device of FIG. 13, the left side elevation view being a mirror image thereof.
The broken lines shown in the drawings are for illustrative purposes only and form no part of the claimed design.

(56) **References Cited**

U.S. PATENT DOCUMENTS

D301,912 S *	6/1989	Ward	D22/125
D518,162 S *	3/2006	Miro	D23/366
D531,039 S *	10/2006	Couey	D9/522
D540,932 S *	4/2007	Burgeson	D23/366
D544,086 S *	6/2007	Wu	D23/366
D545,956 S *	7/2007	Mattan et al.	D23/366
D553,730 S *	10/2007	Wu	D23/366
D594,337 S *	6/2009	Burgeson	D9/521
D648,430 S *	11/2011	Short et al.	D23/366

* cited by examiner

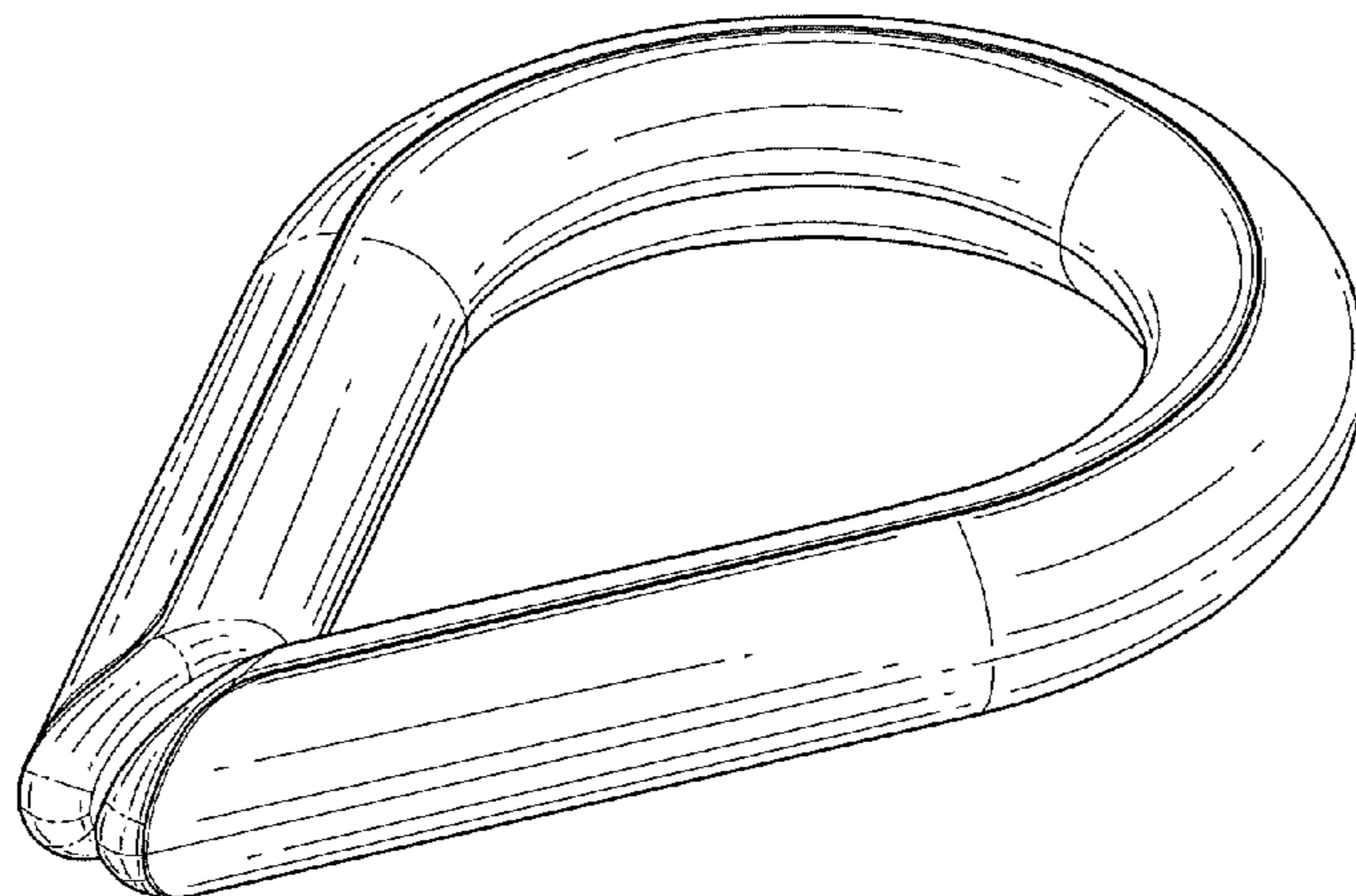
Primary Examiner — Sandra Snapp

(74) *Attorney, Agent, or Firm* — Connolly Bove Lodge & Hutz LLP

(57) **CLAIM**

The ornamental design for an air freshener device, as shown and described.

1 Claim, 6 Drawing Sheets



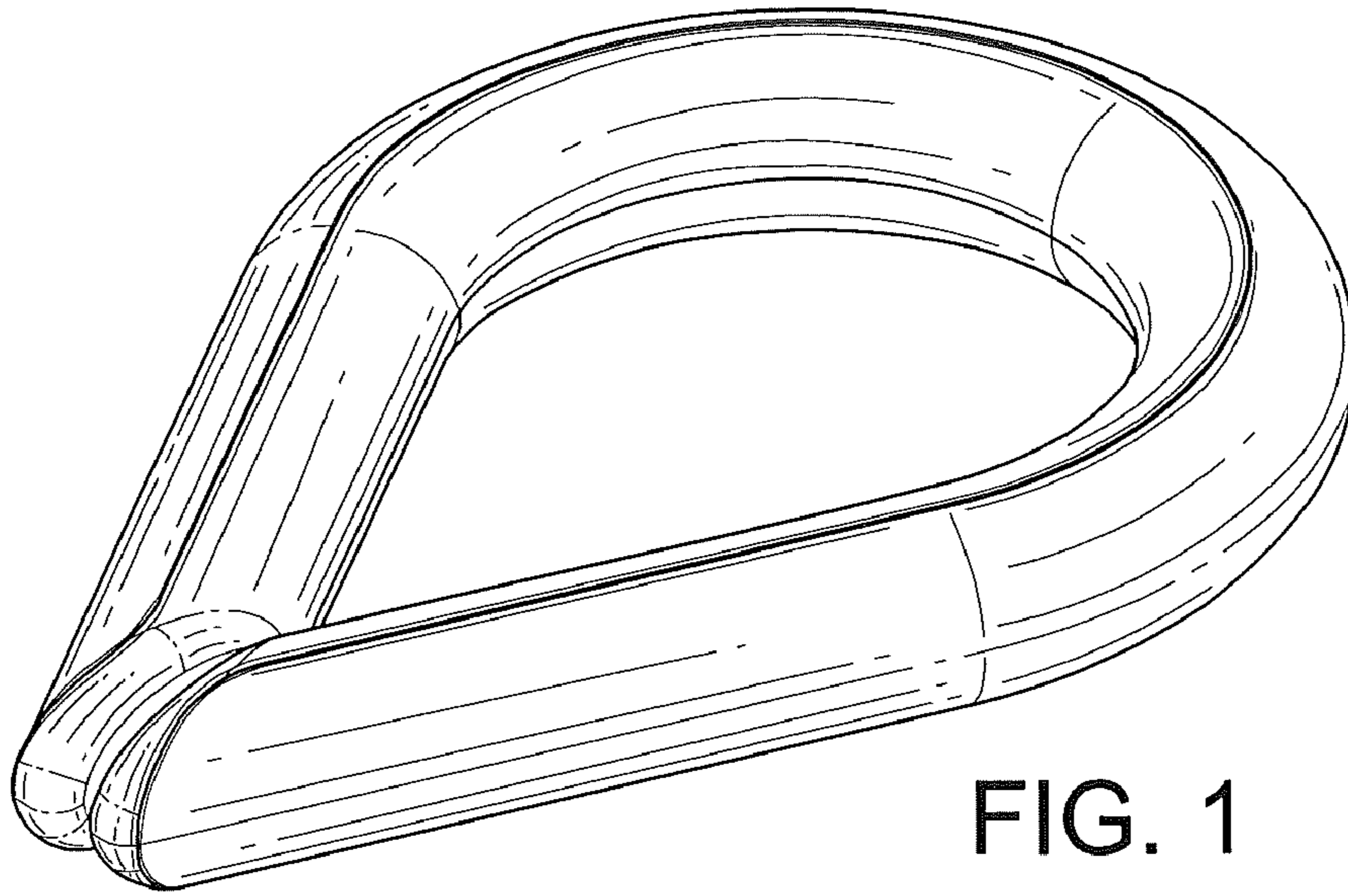


FIG. 1

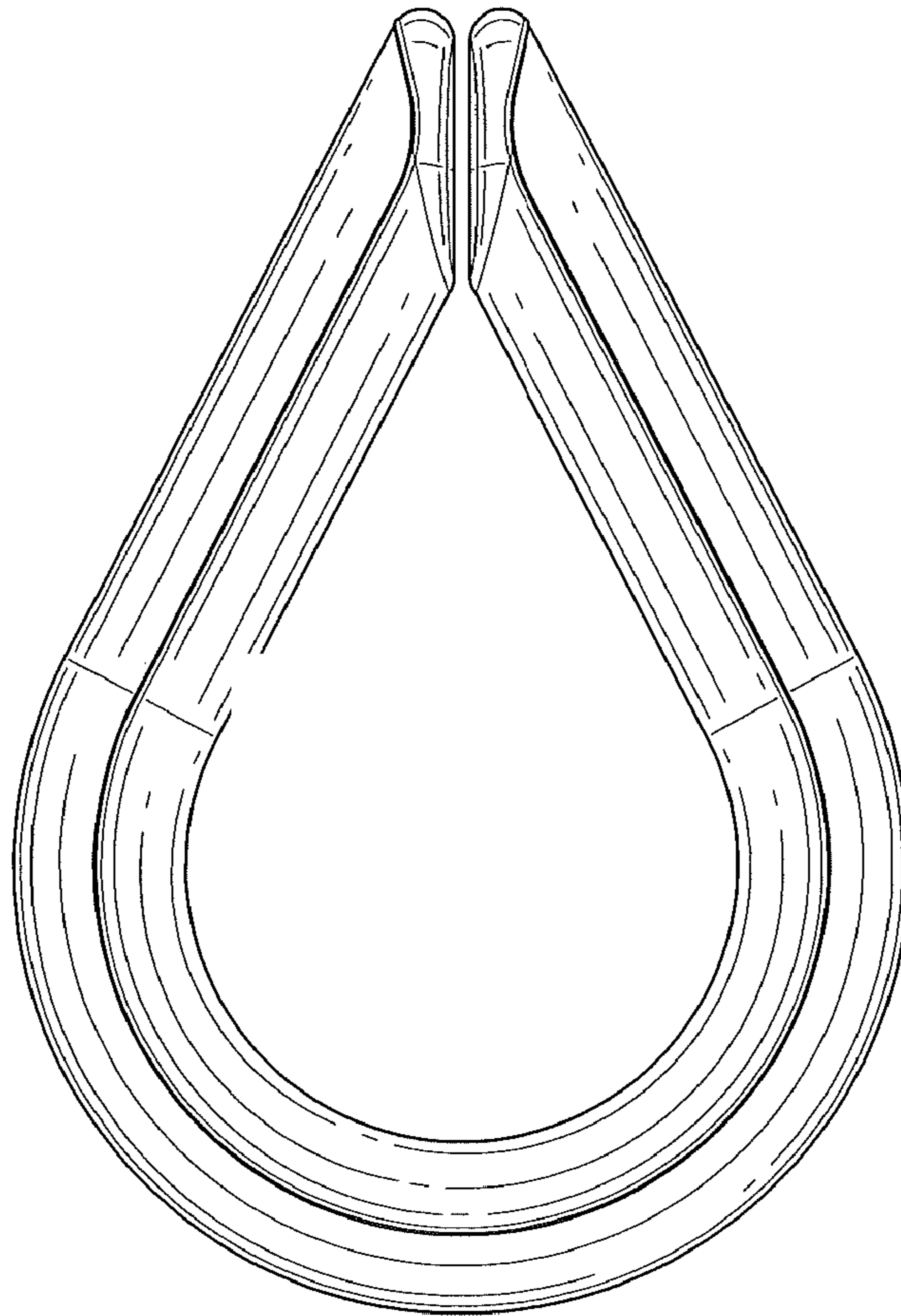


FIG. 2

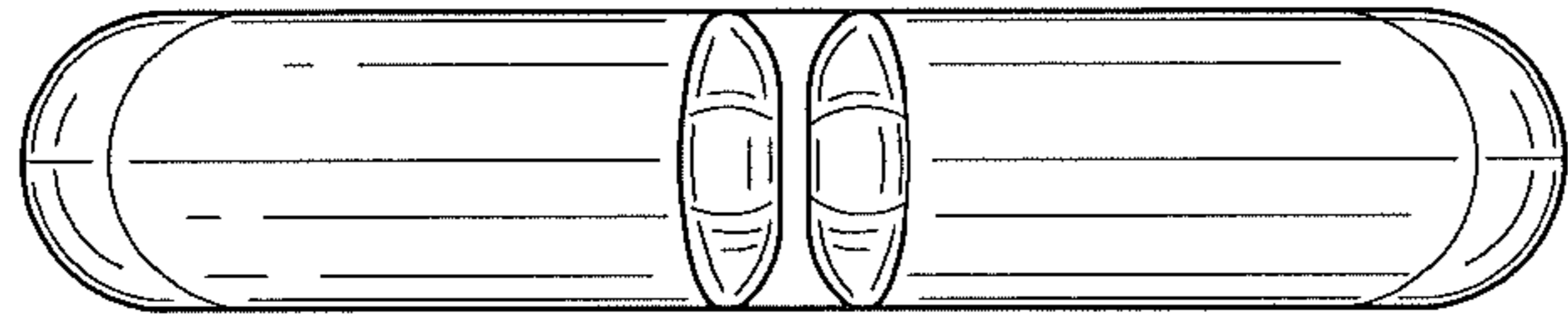


FIG. 4

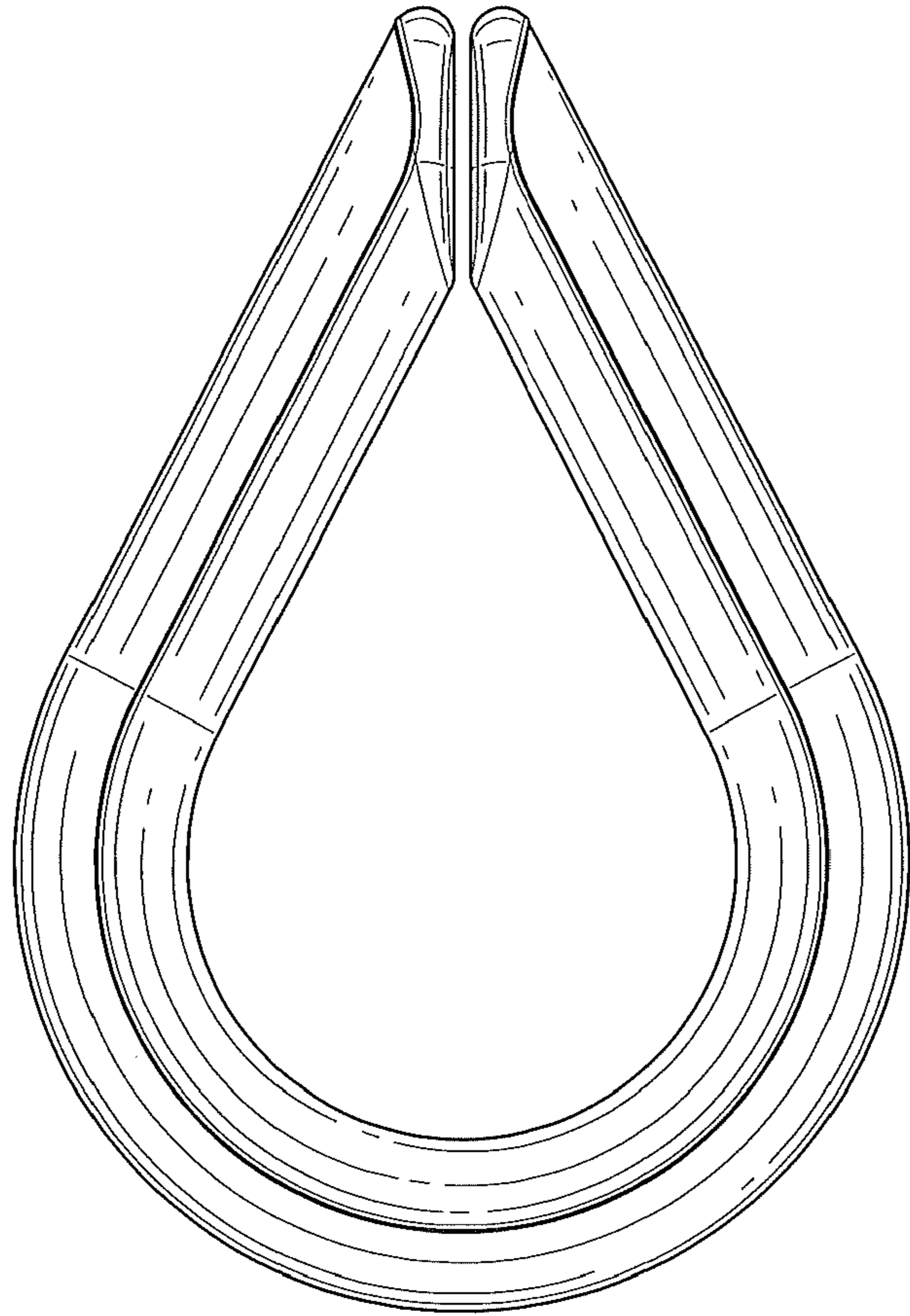


FIG. 3

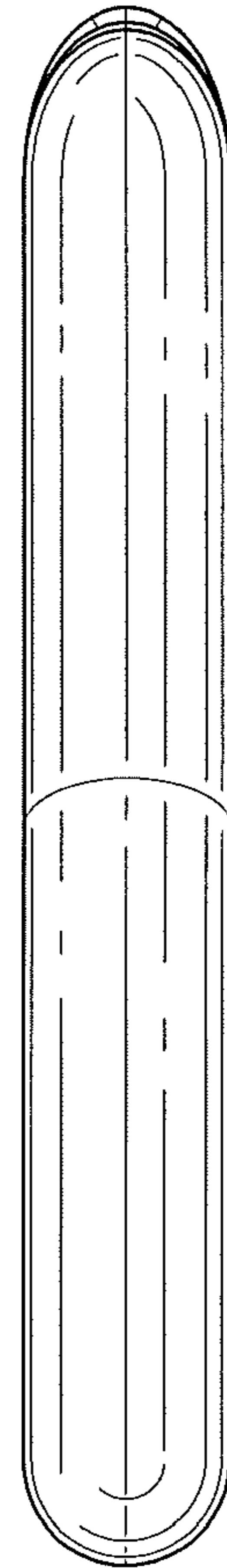


FIG. 6

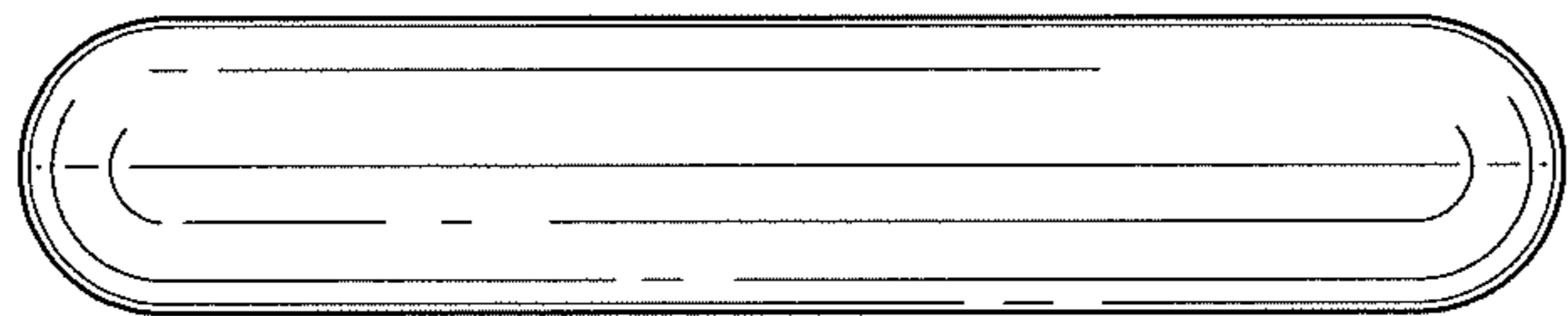


FIG. 5

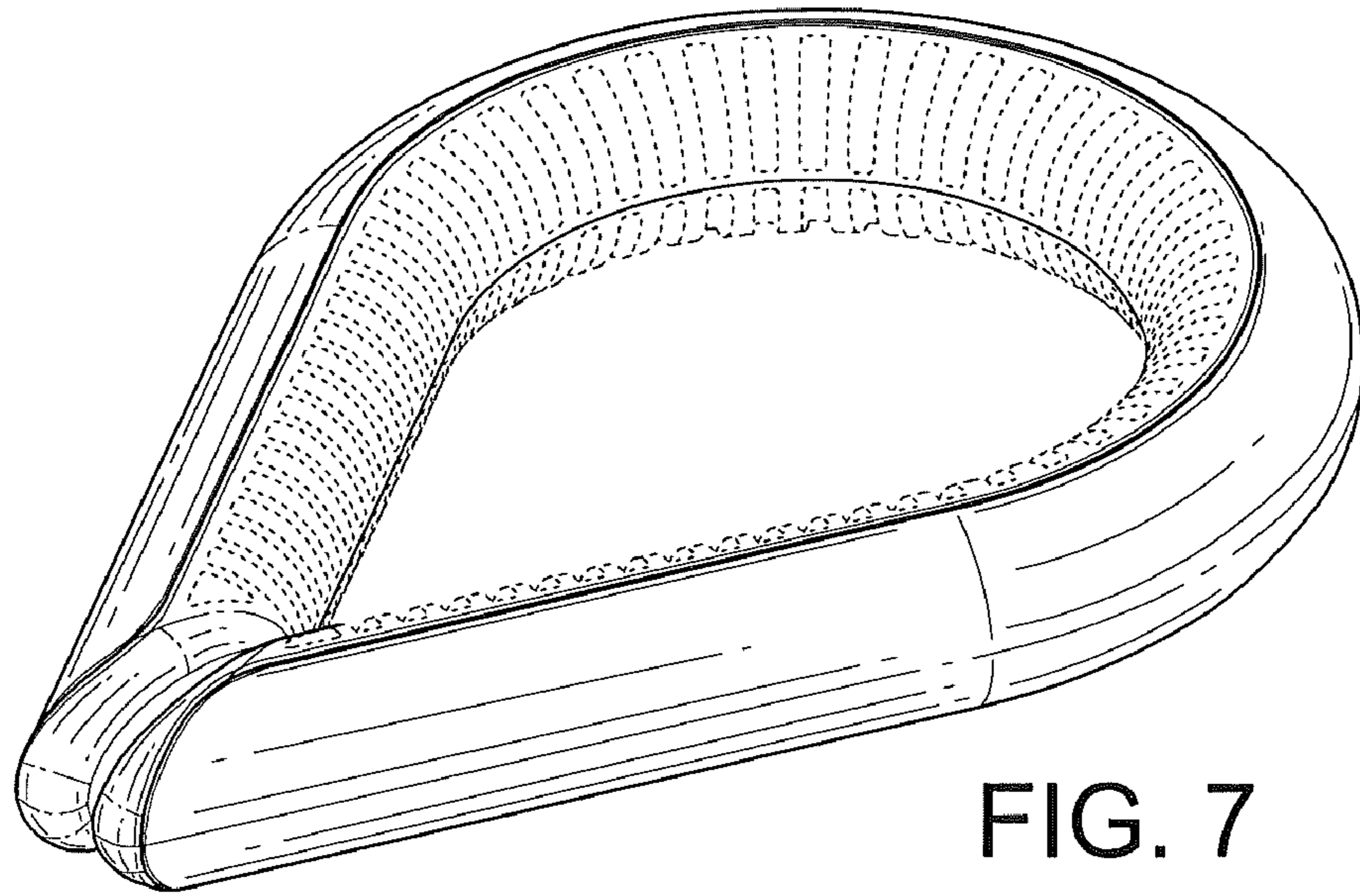


FIG. 7

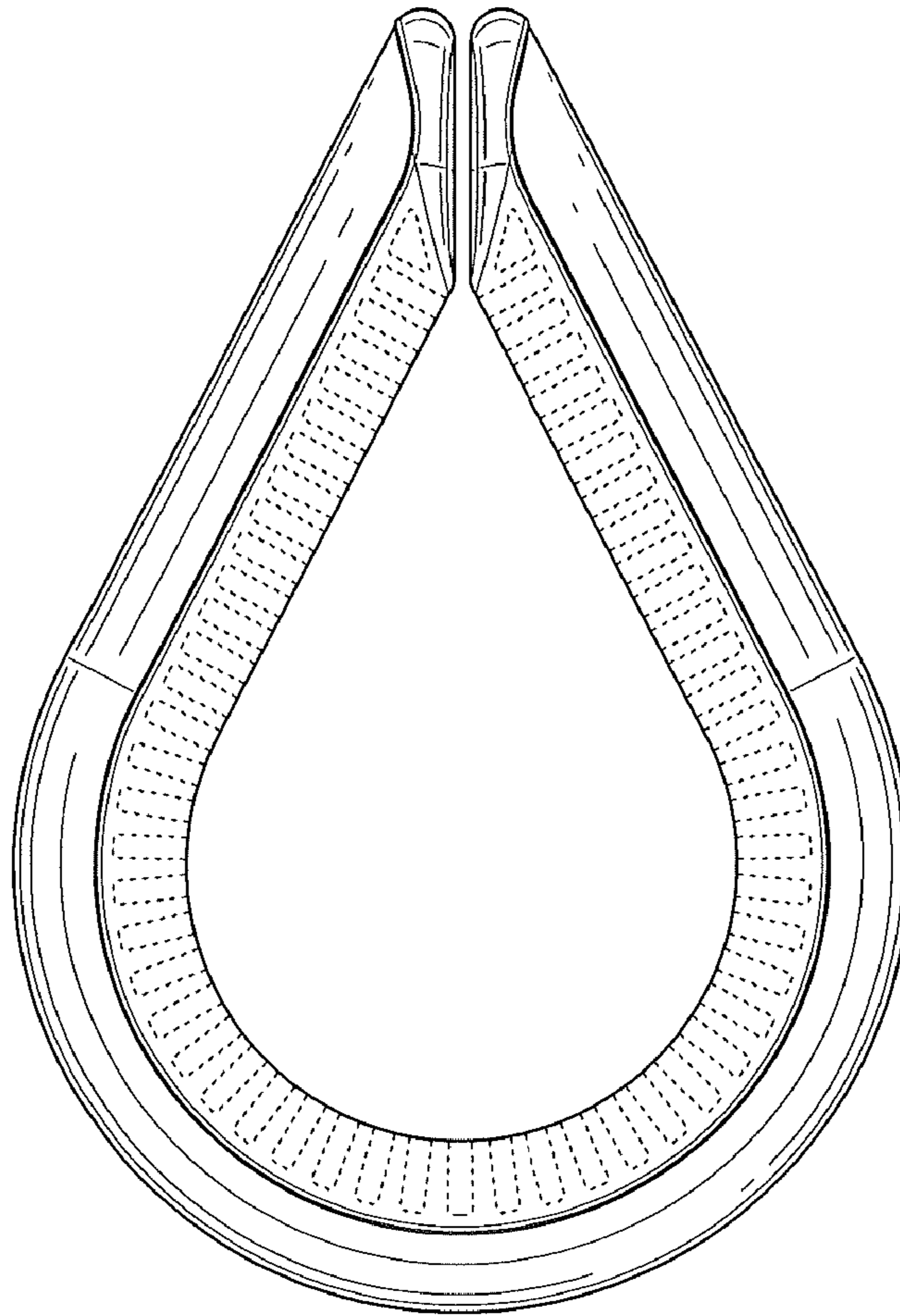


FIG. 8

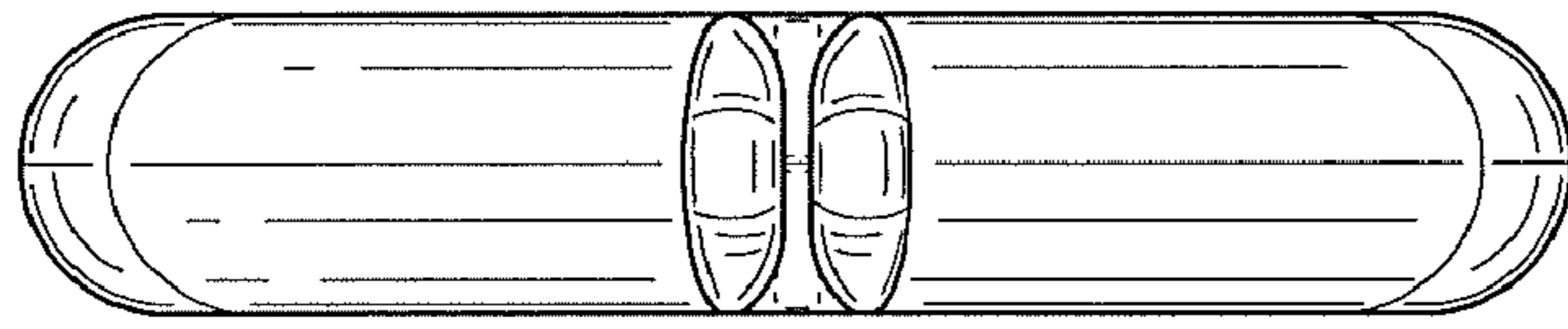


FIG. 10

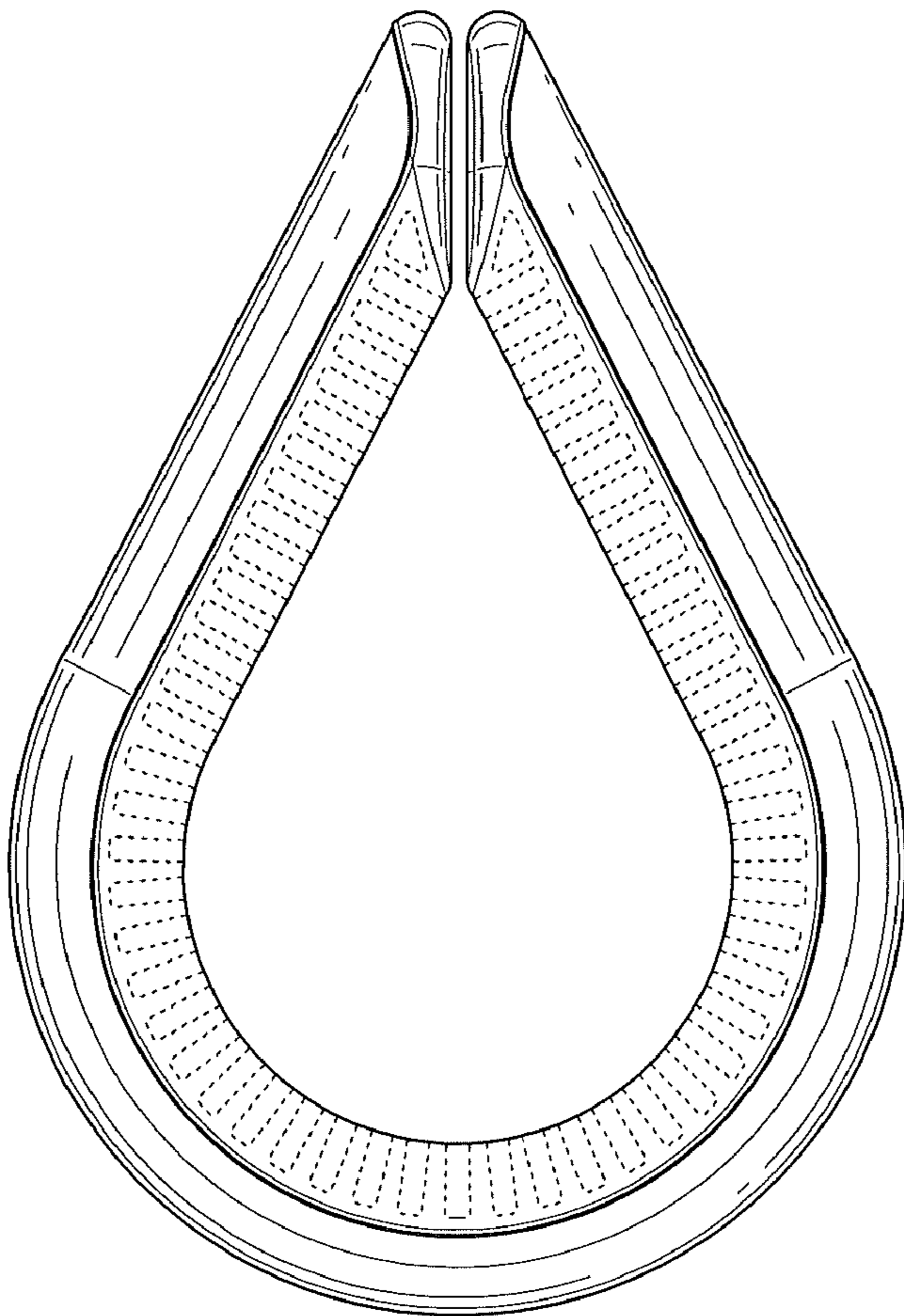


FIG. 9

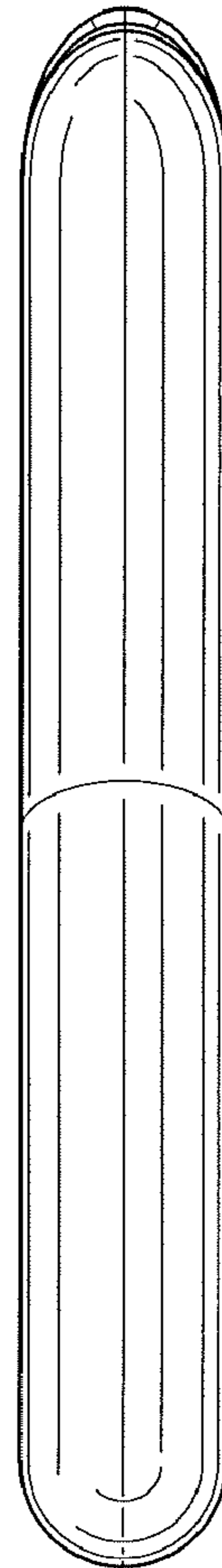


FIG. 12

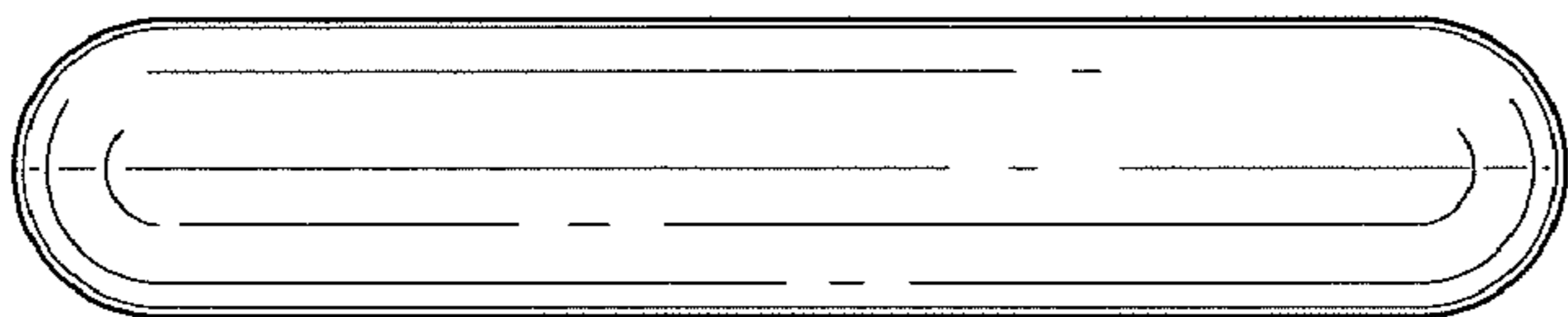


FIG. 11

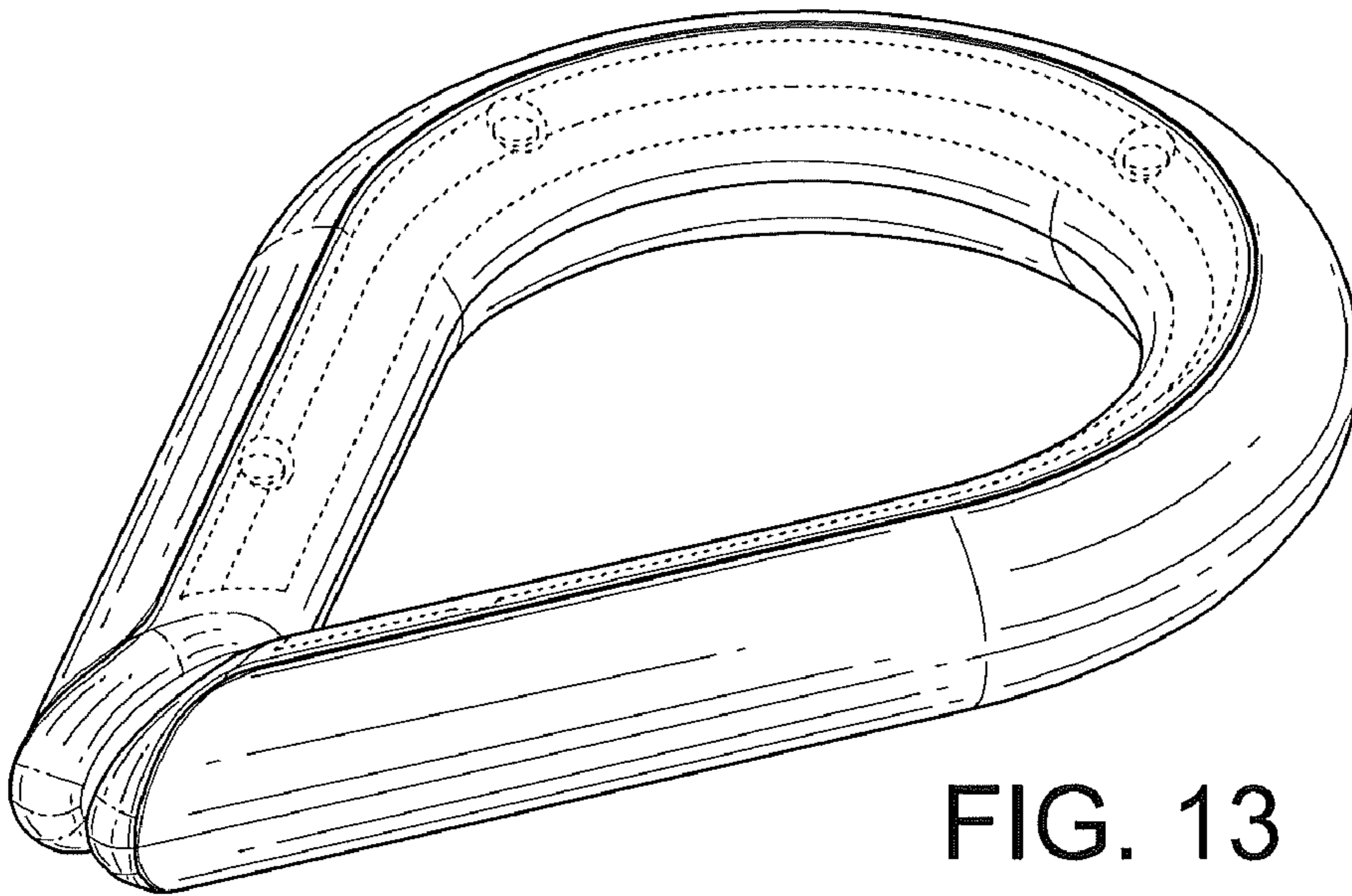


FIG. 13

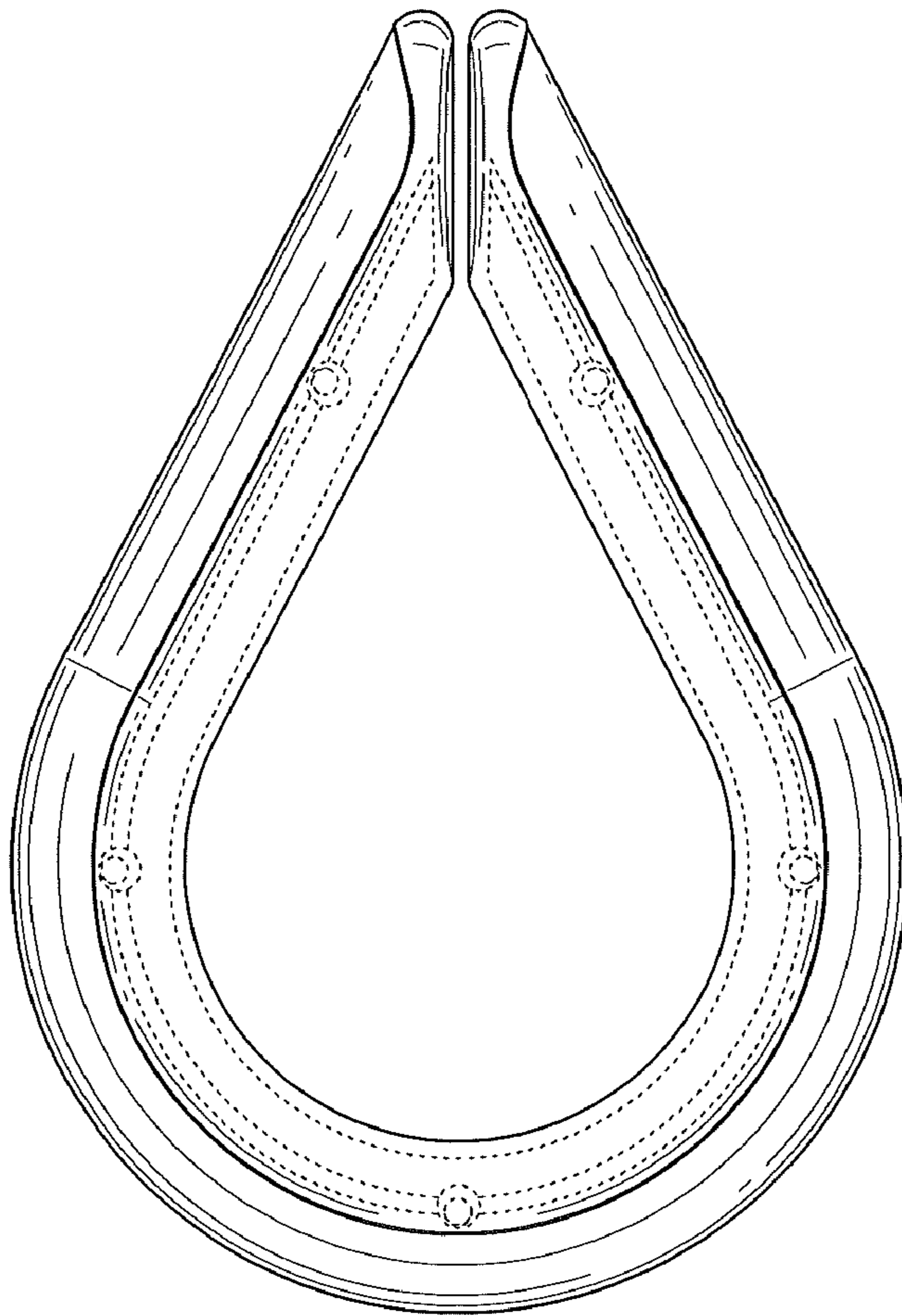


FIG. 14

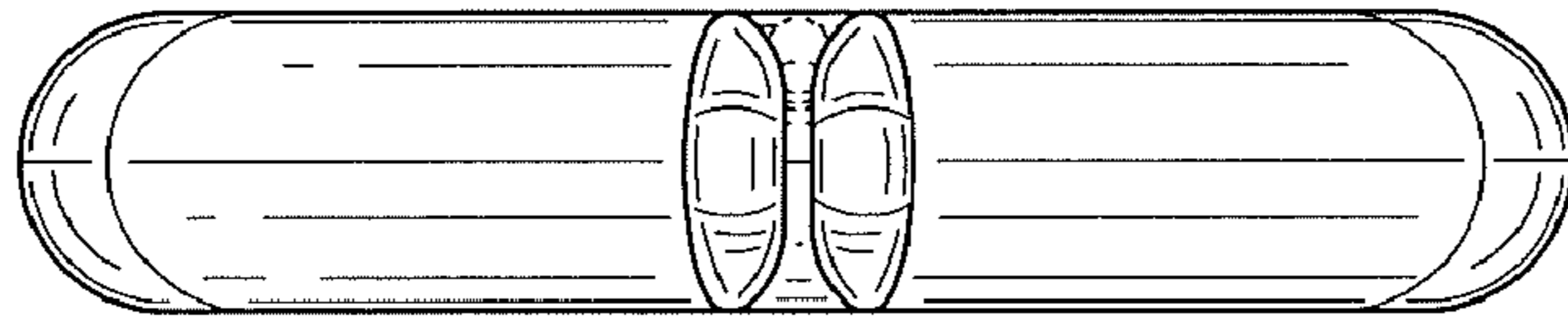


FIG. 16

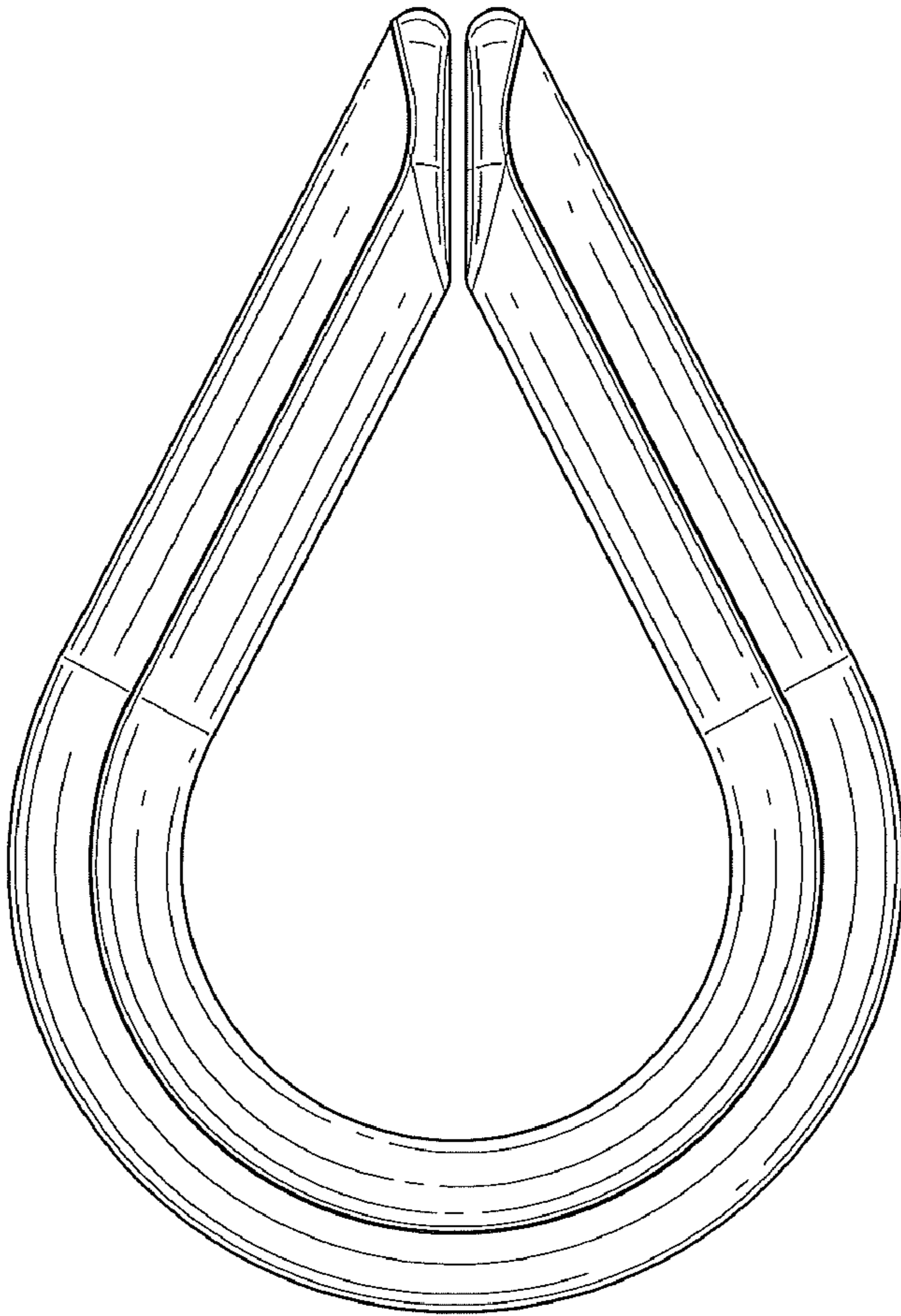


FIG. 15

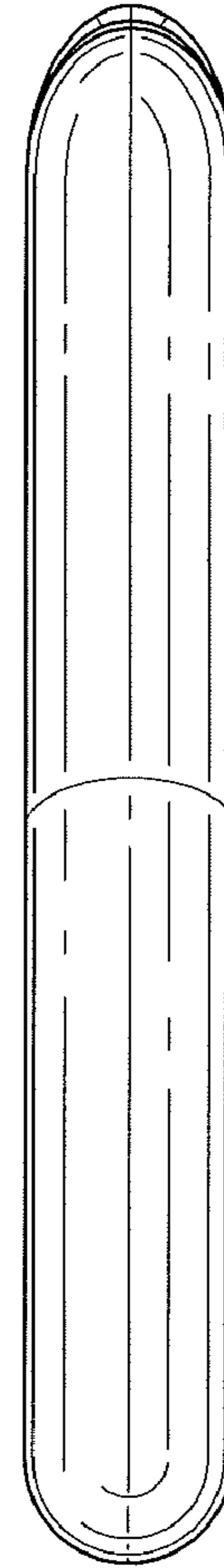


FIG. 18

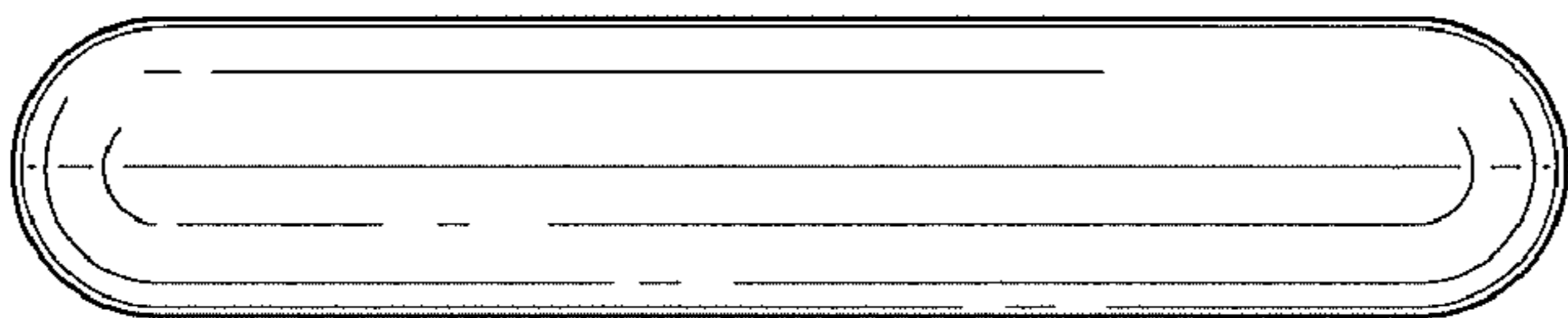


FIG. 17