



US00D663401S

(12) **United States Design Patent**
Hewson-Hyde et al.

(10) **Patent No.:** **US D663,401 S**
(45) **Date of Patent:** **** Jul. 10, 2012**

(54) **AIR FRESHENER DEVICE INCLUDING REFILL**

(75) Inventors: **Claire Louise Hewson-Hyde**, Hull (GB); **Torsten Kulke**, Holzminden (DE); **Simon Woolley**, Hull (GB)

(73) Assignee: **Reckitt & Colman (Overseas) Limited**, Slough, Berkshire (GB)

(**) Term: **14 Years**

(21) Appl. No.: **29/408,403**

(22) Filed: **Dec. 12, 2011**

(30) **Foreign Application Priority Data**

Jun. 20, 2011 (EM) 001880402-0002

(51) **LOC (9) Cl.** **28-99**

(52) **U.S. Cl.** **D23/366**

(58) **Field of Classification Search** D23/355-369;
D28/5, 6; 261/DIG. 17, DIG. 42, DIG. 65,
261/DIG. 88, DIG. 89; 392/386, 390, 394,
392/395; 239/34, 44, 53, 55, 56, 326
See application file for complete search history.

(56) **References Cited**

U.S. PATENT DOCUMENTS

D439,964	S	*	4/2001	Wu	D23/366
D461,006	S	*	7/2002	Buthier	D23/366
D491,257	S	*	6/2004	Picken, Jr.	D23/366
D508,284	S	*	8/2005	Butler et al.	D23/366
D534,640	S	*	1/2007	Helf et al.	D23/366
7,188,780	B2	*	3/2007	Martens, III	239/35
7,213,770	B2	*	5/2007	Martens et al.	239/57
D552,224	S	*	10/2007	Makar et al.	D23/364

D565,715	S	*	4/2008	Wu	D23/366
7,426,799	B2	*	9/2008	Christianson et al.	40/725
7,441,360	B2	*	10/2008	Christianson et al.	40/725
D591,415	S	*	4/2009	Wu	D23/366
7,607,250	B2	*	10/2009	Leonard	40/725
D631,954	S	*	2/2011	Bertassi et al.	D23/366
D633,610	S	*	3/2011	Wu	D23/366
D642,254	S	*	7/2011	Mazzeo et al.	D23/366
D642,255	S	*	7/2011	Mazzeo et al.	D23/366
D642,668	S	*	8/2011	Lablaine	D23/366

* cited by examiner

Primary Examiner — Sandra Snapp

(74) *Attorney, Agent, or Firm* — Norris McLaughlin & Marcus PA

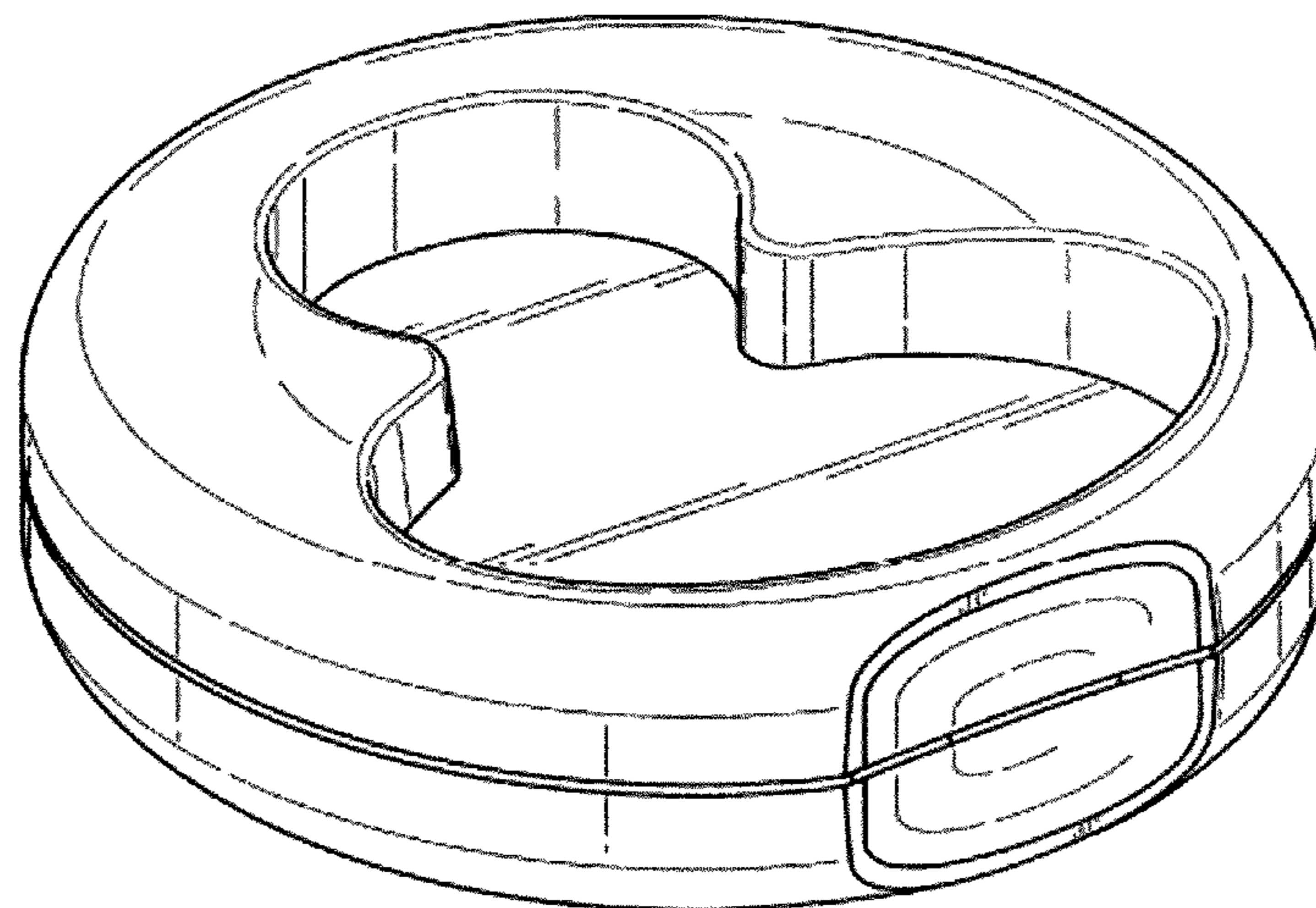
(57) **CLAIM**

The ornamental design for an air freshener device including refill, as shown and described.

DESCRIPTION

FIG. 1 is a bottom and rear side perspective view of an air freshener device including refill;
 FIG. 2 is a bottom and front perspective view thereof;
 FIG. 3 is a top plan view thereof;
 FIG. 4 is a bottom plan view thereof;
 FIG. 5 is a right side plan view thereof;
 FIG. 6 is a left side plan view thereof;
 FIG. 7 is a rear elevational view thereof showing the device resting on its bottom side;
 FIG. 8 is a front elevational view thereof showing the device resting on its bottom side;
 FIG. 9 is a rear elevational view thereof, showing the device resting on its top side; and,
 FIG. 10 is a front elevational view thereof, showing the device resting on its top side.

1 Claim, 5 Drawing Sheets



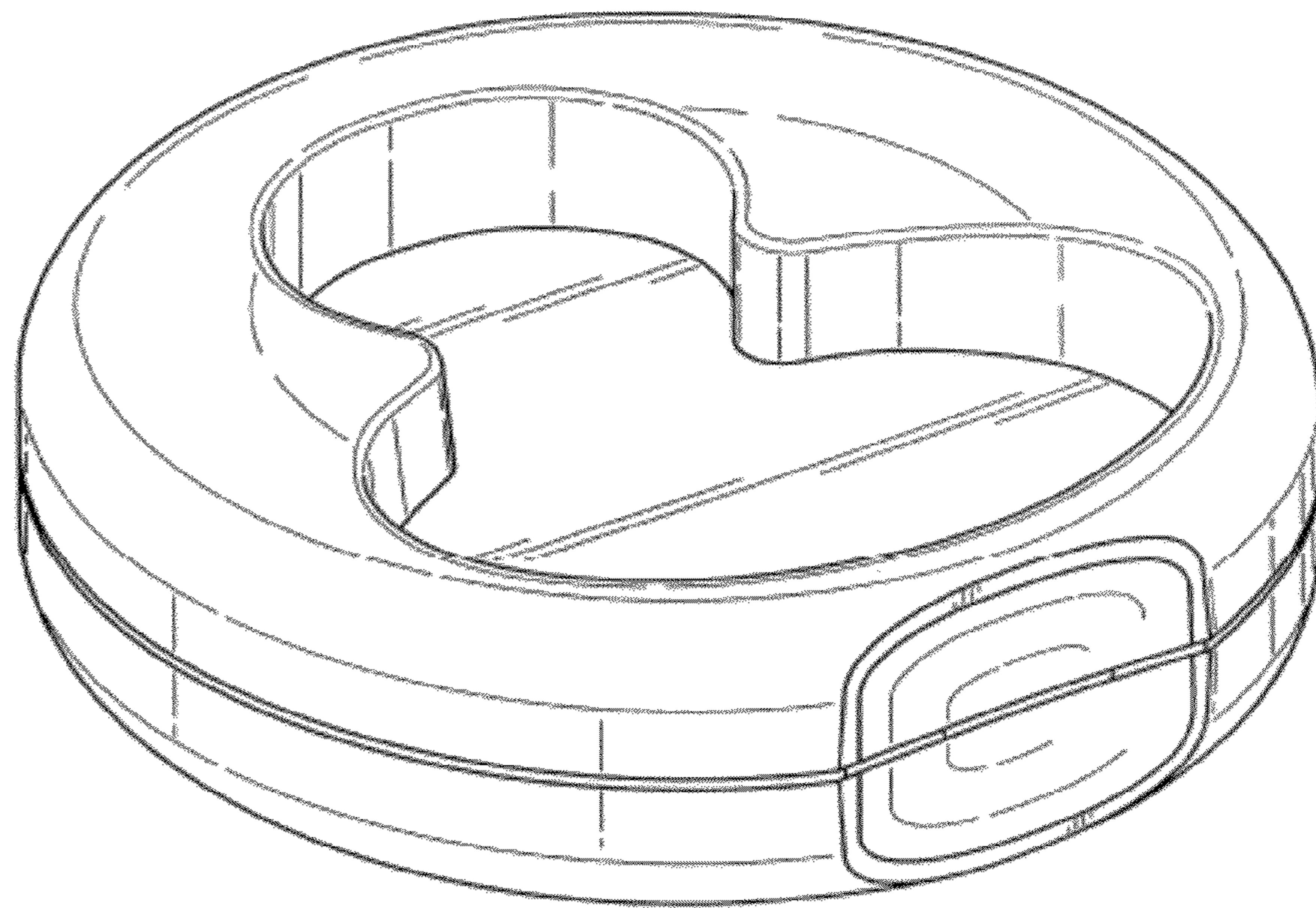


Fig. 1

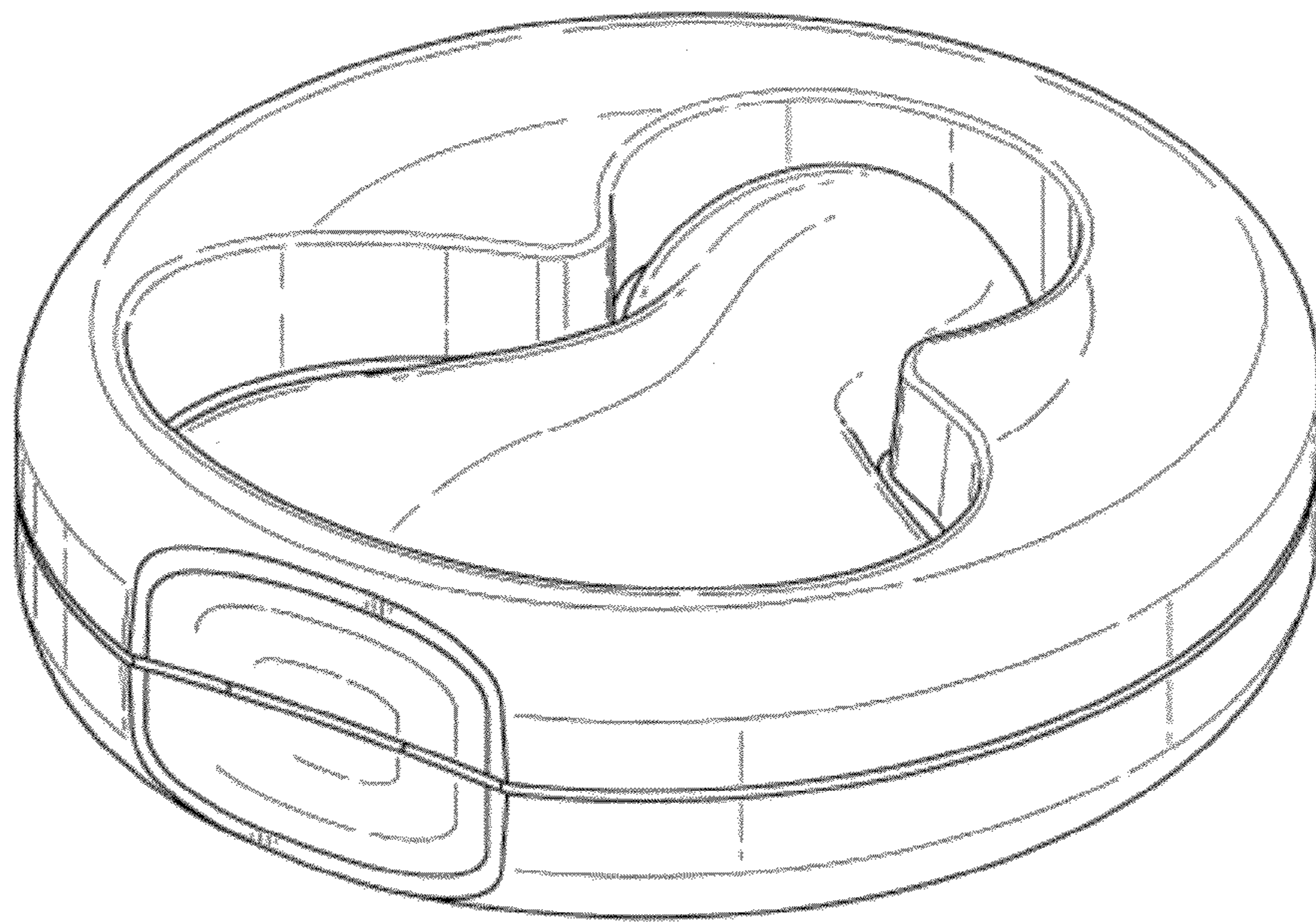


Fig. 2

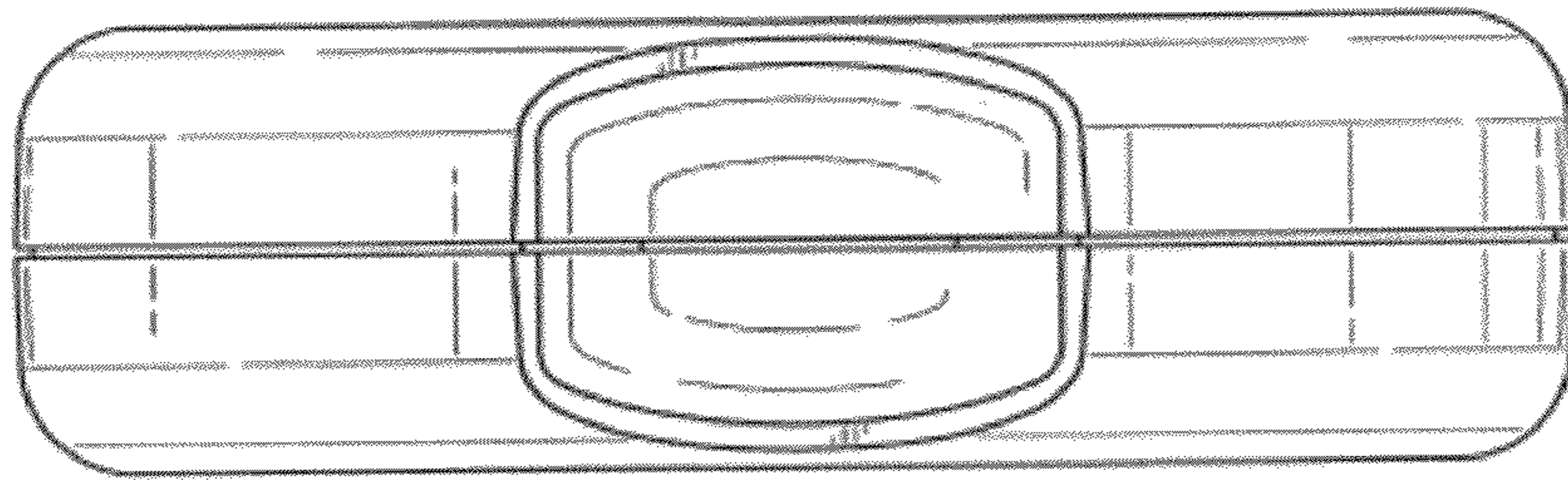


Fig. 3

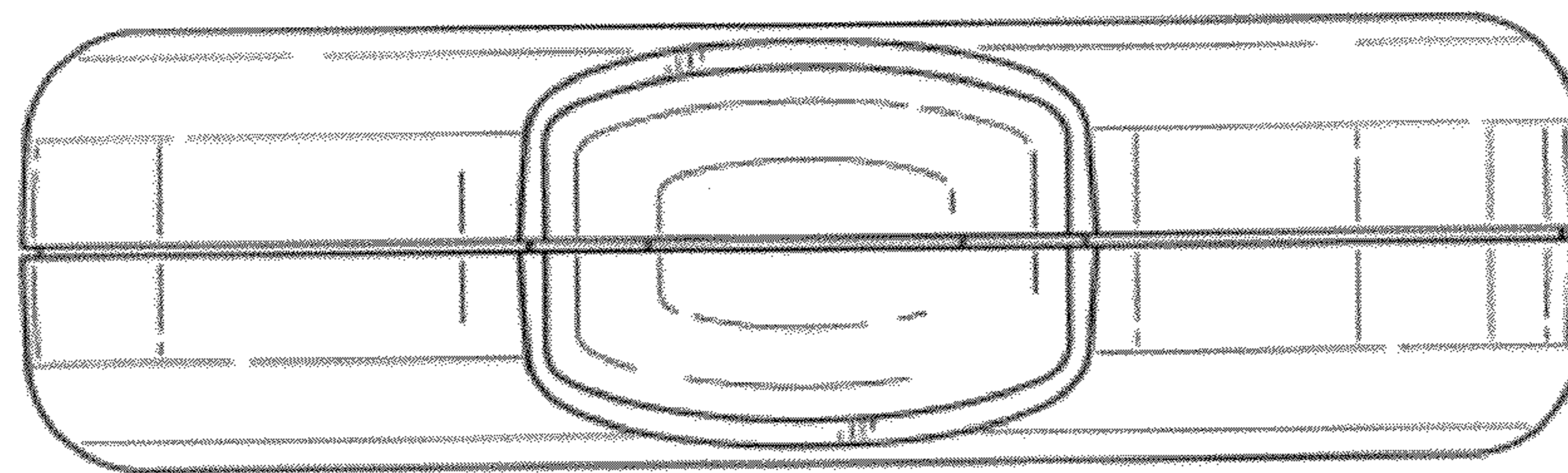


Fig. 4

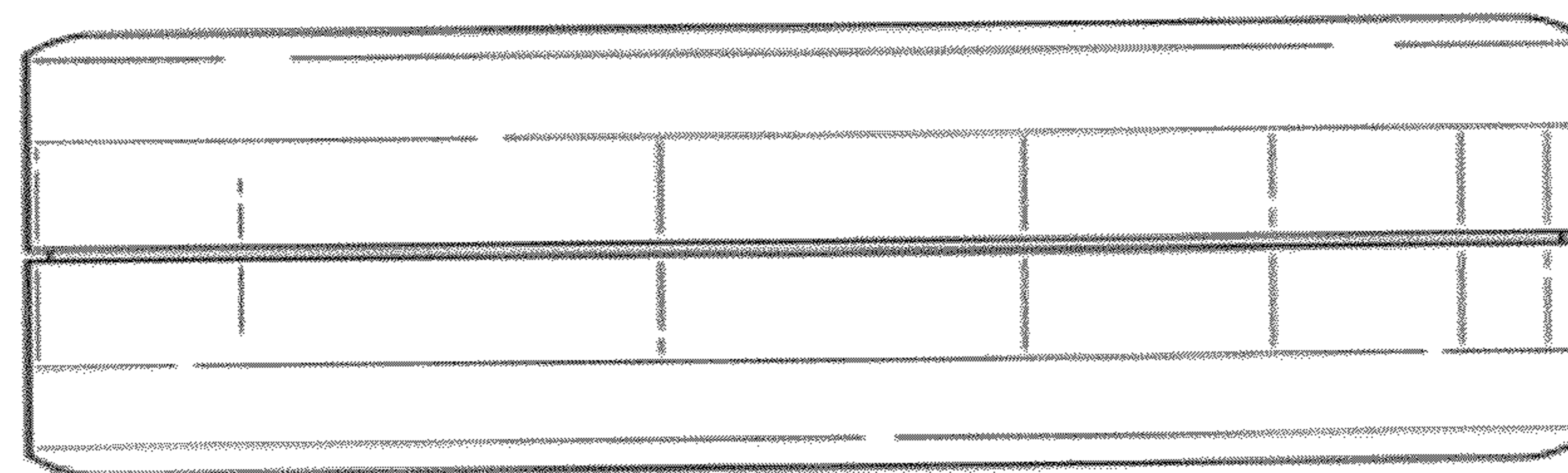


Fig. 5

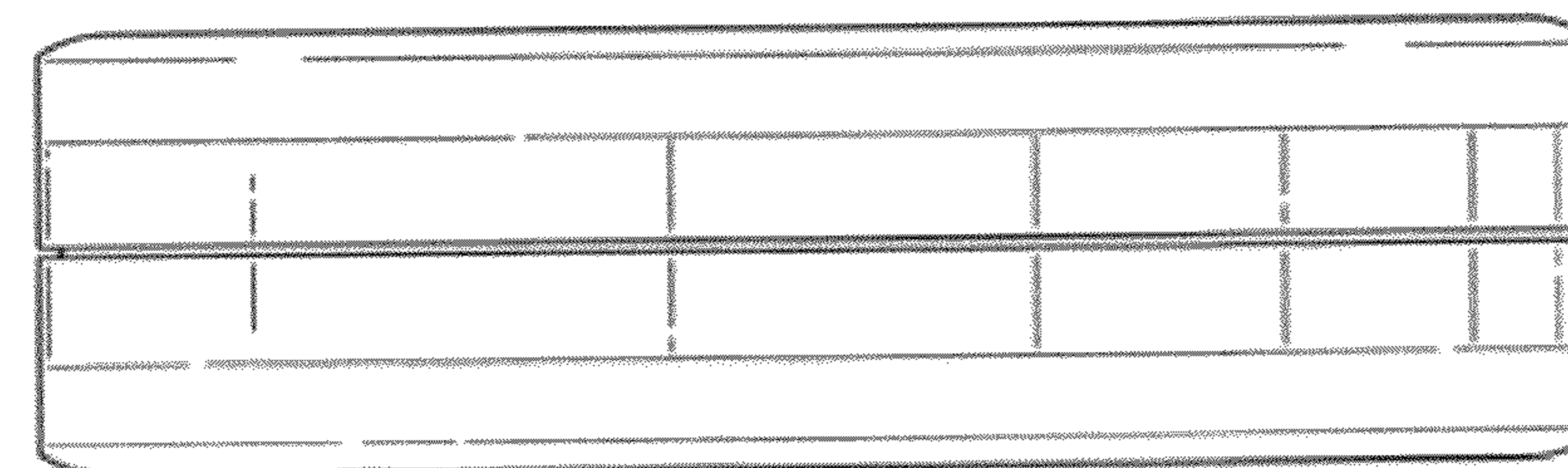


Fig. 6

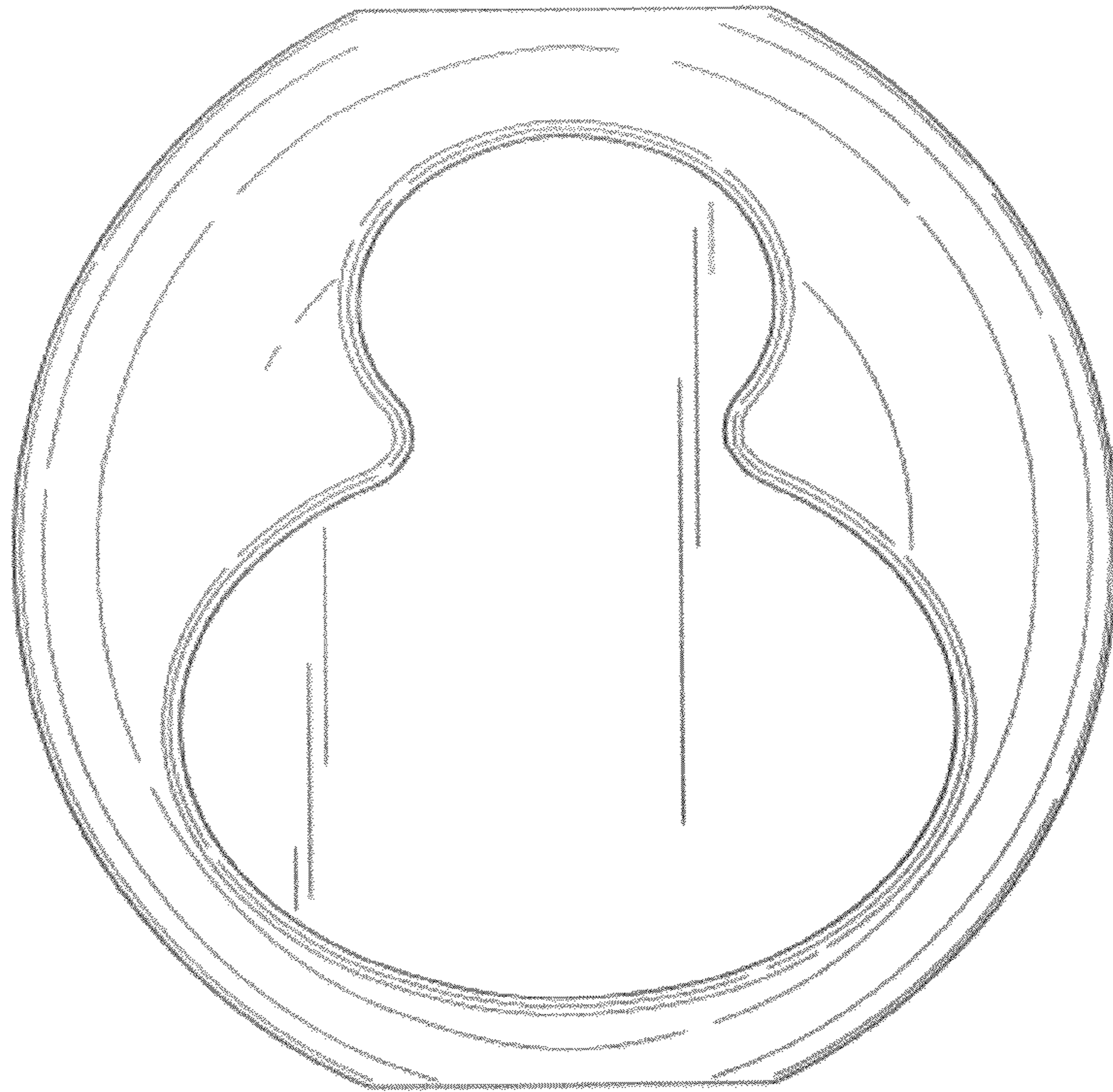


Fig. 7

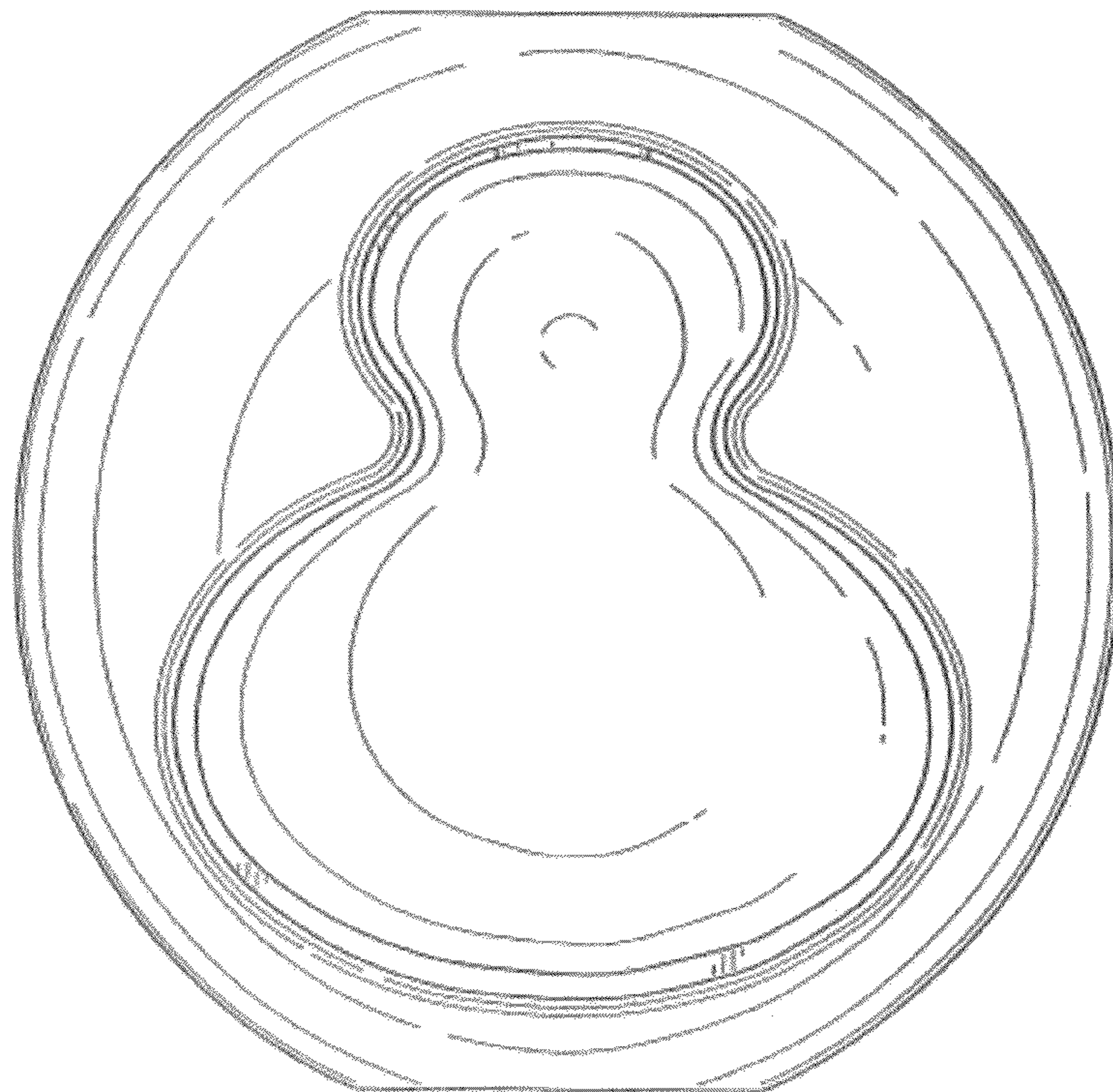


Fig. 8

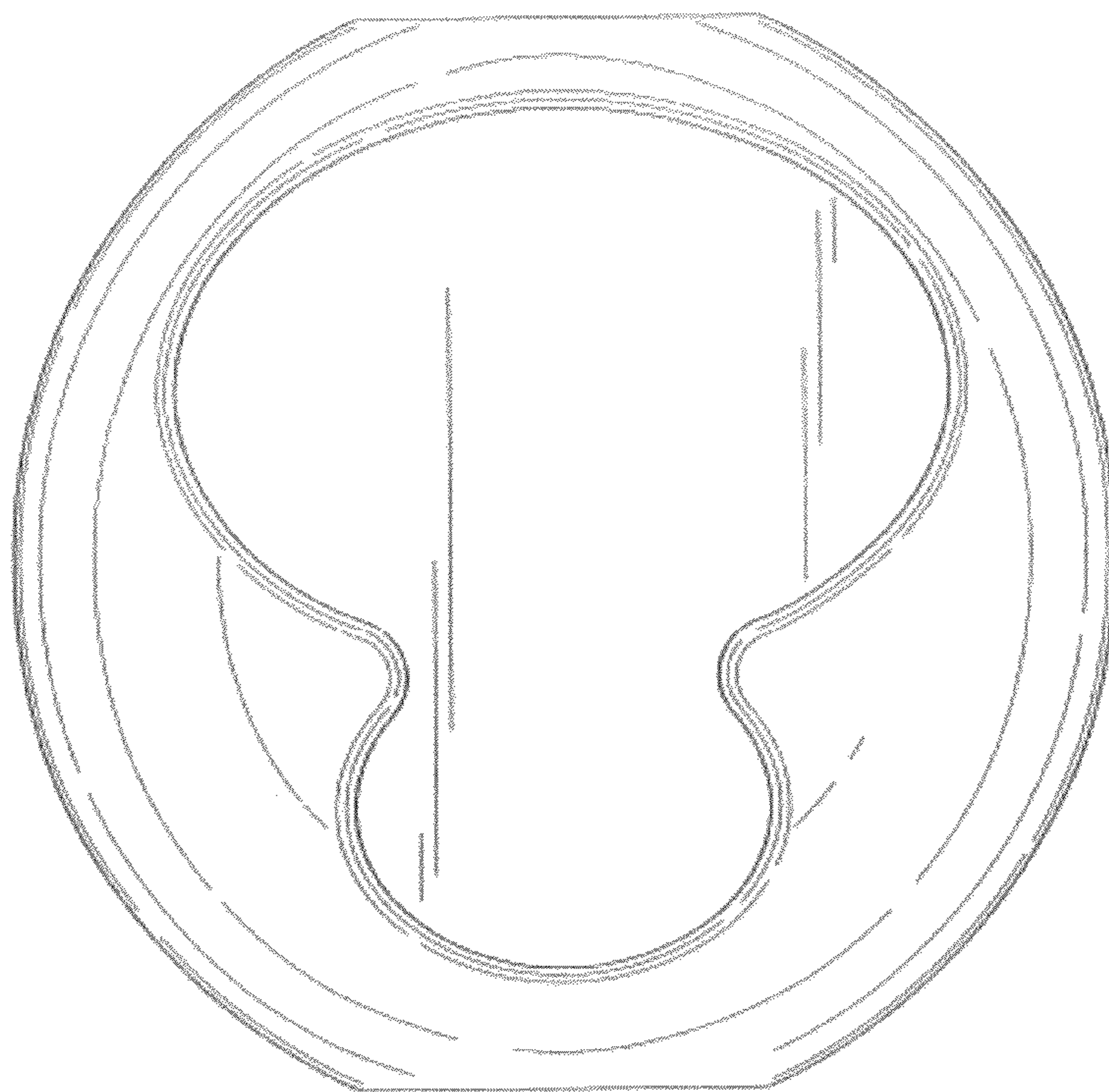


Fig. 9

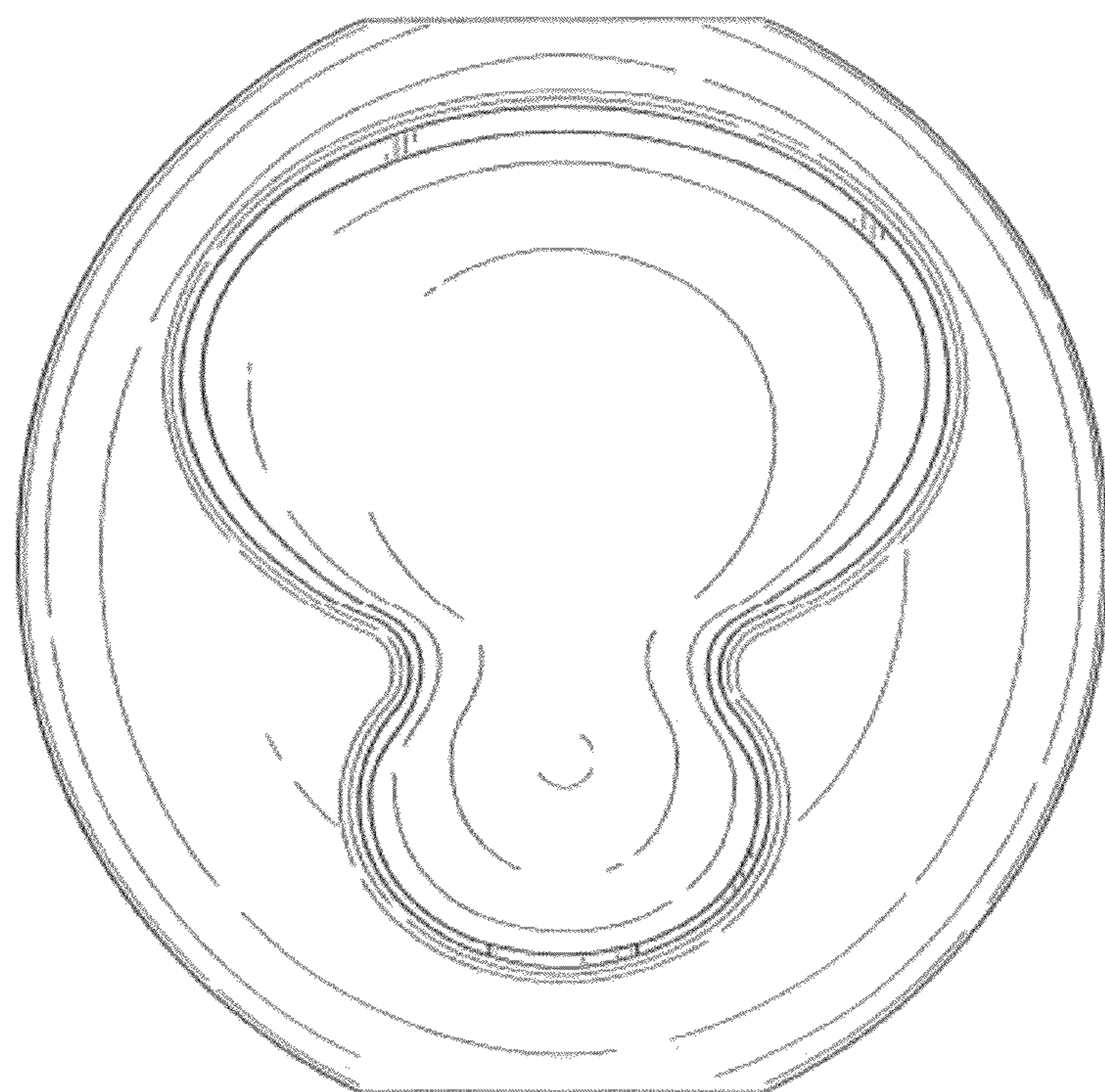


Fig. 10