

US00D663400S

(12) **United States Design Patent**
Hewson-Hyde et al.

(10) **Patent No.:** **US D663,400 S**

(45) **Date of Patent:** **** Jul. 10, 2012**

(54) **AIR FRESHENER DEVICE**

(75) Inventors: **Claire Louise Hewson-Hyde**, Hull (GB); **Torsten Kulke**, Holzminden (DE); **Simon Woolley**, Hull (GB)

(73) Assignee: **Reckitt & Colman (Overseas) Limited**, Slough, Berkshire (GB)

(**) Term: **14 Years**

(21) Appl. No.: **29/408,399**

(22) Filed: **Dec. 12, 2011**

(30) **Foreign Application Priority Data**

Jun. 20, 2011 (EM) 001880402-0001

(51) **LOC (9) Cl.** **28-99**

(52) **U.S. Cl.** **D23/366**

(58) **Field of Classification Search** D23/355-369;
D28/5, 6; 261/DIG. 17, DIG. 42, DIG. 65,
261/DIG. 88, DIG. 89; 392/386, 390, 394,
392/395; 239/34, 44, 53, 55, 56, 326
See application file for complete search history.

(56) **References Cited**

U.S. PATENT DOCUMENTS

D439,964 S * 4/2001 Wu D23/366
D461,006 S * 7/2002 Buthier D23/366
D491,257 S * 6/2004 Picken, Jr. D23/366
D508,284 S * 8/2005 Butler et al. D23/366
D534,640 S * 1/2007 Helf et al. D23/366
7,188,780 B2 * 3/2007 Martens, III 239/35
7,213,770 B2 * 5/2007 Martens et al. 239/57
D552,224 S * 10/2007 Makar et al. D23/364

D565,715 S * 4/2008 Wu D23/366
7,426,799 B2 * 9/2008 Christianson et al. 40/725
7,441,360 B2 * 10/2008 Christianson et al. 40/725
D591,415 S * 4/2009 Wu D23/366
7,607,250 B2 * 10/2009 Leonard 40/725
D631,954 S * 2/2011 Bertassi et al. D23/366
D633,610 S * 3/2011 Wu D23/366
D642,254 S * 7/2011 Mazzeo et al. D23/366
D642,255 S * 7/2011 Mazzeo et al. D23/366
D642,668 S * 8/2011 Lablaine D23/366

* cited by examiner

Primary Examiner — Sandra Snapp

(74) *Attorney, Agent, or Firm* — Norris McLaughlin & Marcus PA

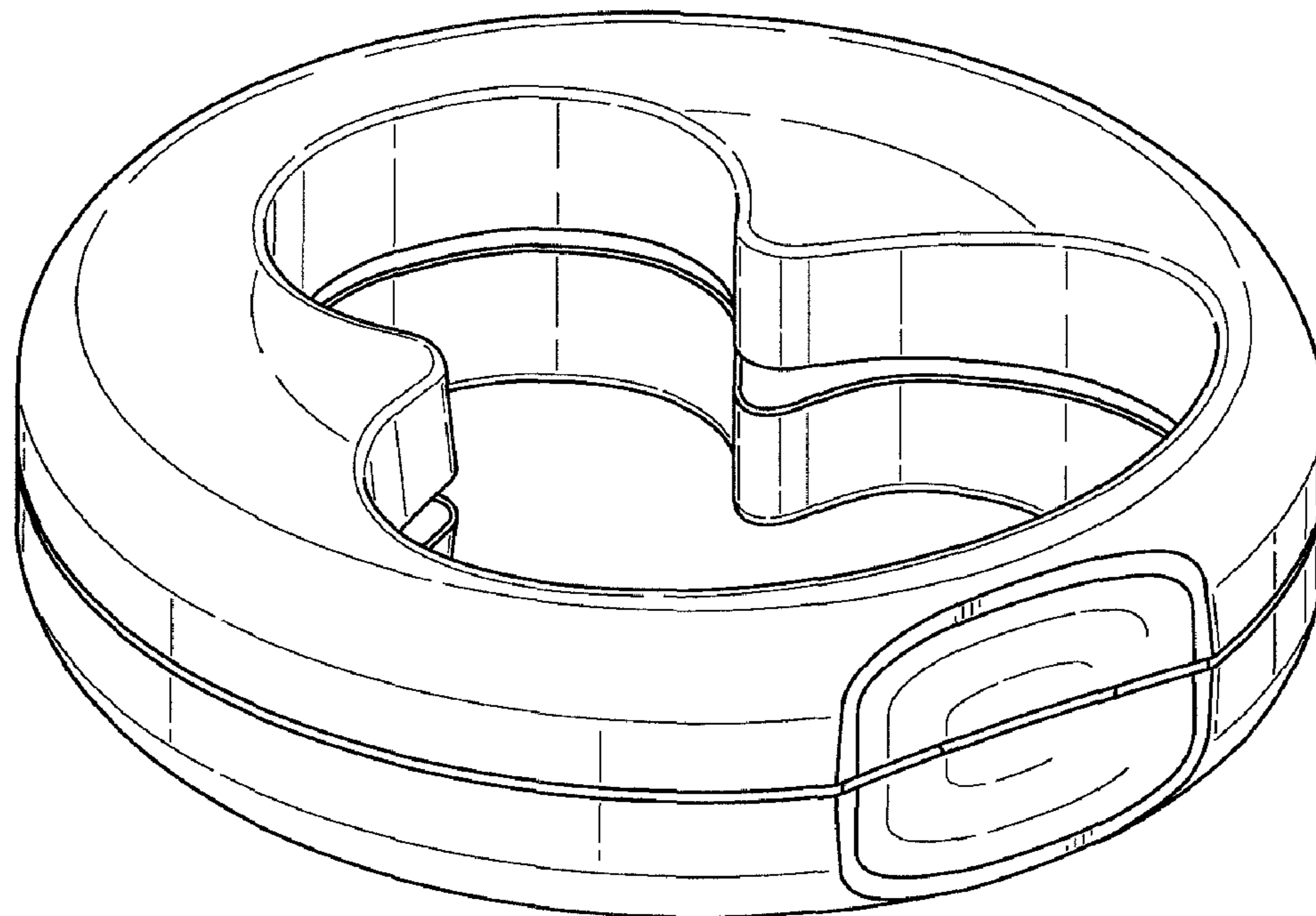
(57) **CLAIM**

The ornamental design for an air freshener device, as shown and described.

DESCRIPTION

FIG. 1 is a front and bottom side perspective view of an air freshener device;
FIG. 2 is a bottom side plan view thereof;
FIG. 3 is a top side plan view thereof;
FIG. 4 is a right side plan view thereof;
FIG. 5 is a left side plan view thereof;
FIG. 6 is a front elevational view thereof showing the device resting on its top side;
FIG. 7 is a rear elevational view thereof showing the device resting on its top side;
FIG. 8 is a front elevational view thereof showing the device resting on its bottom side; and,
FIG. 9 is a rear elevational view thereof showing the device resting on its bottom side.

1 Claim, 4 Drawing Sheets



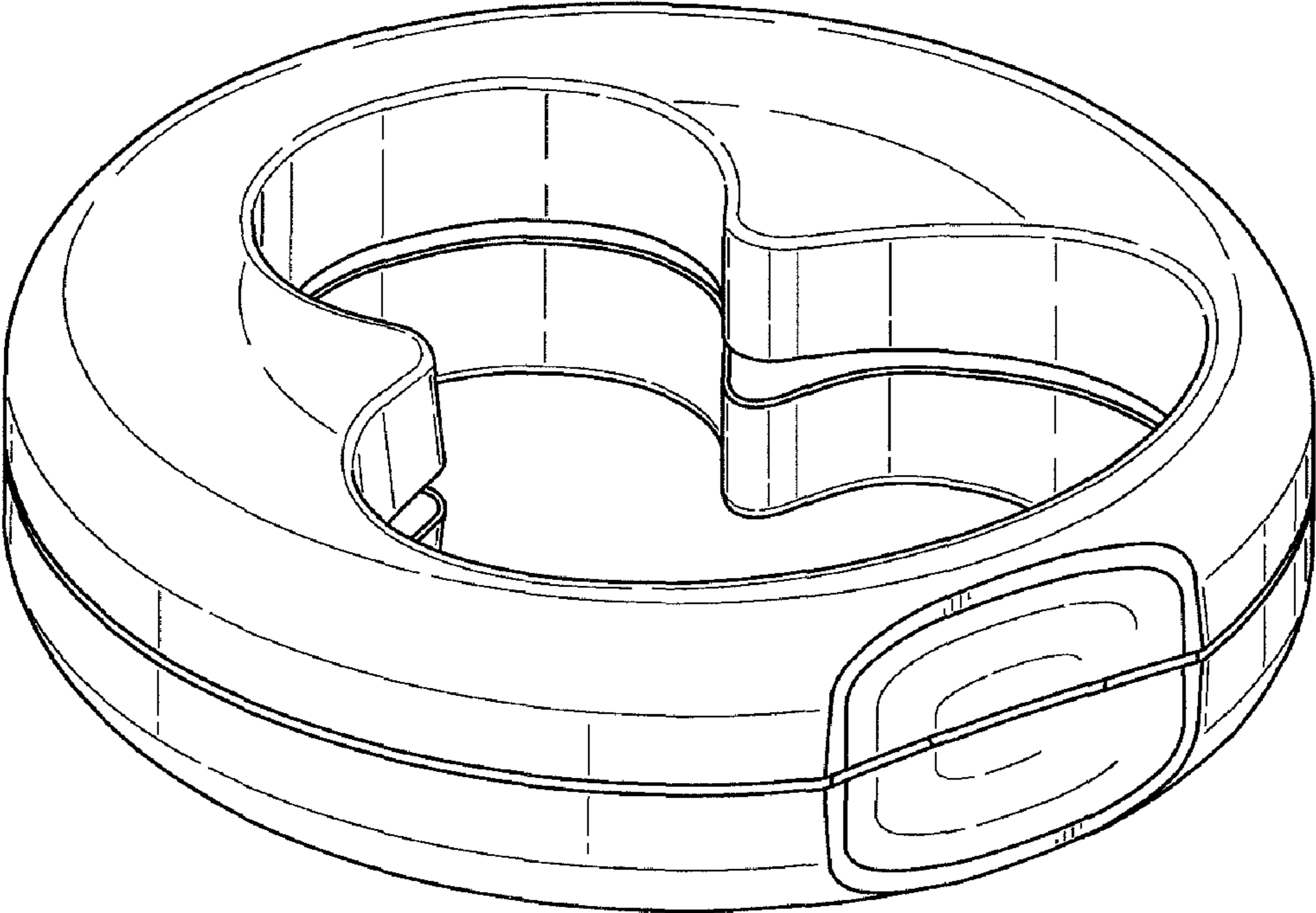


Fig. 1

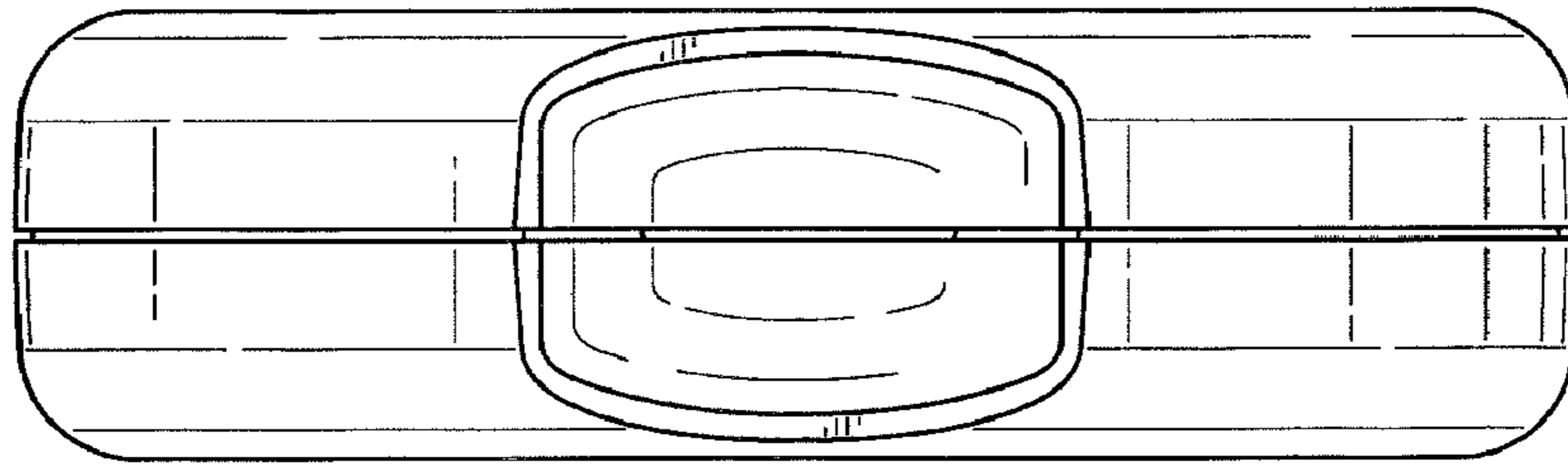


Fig. 2

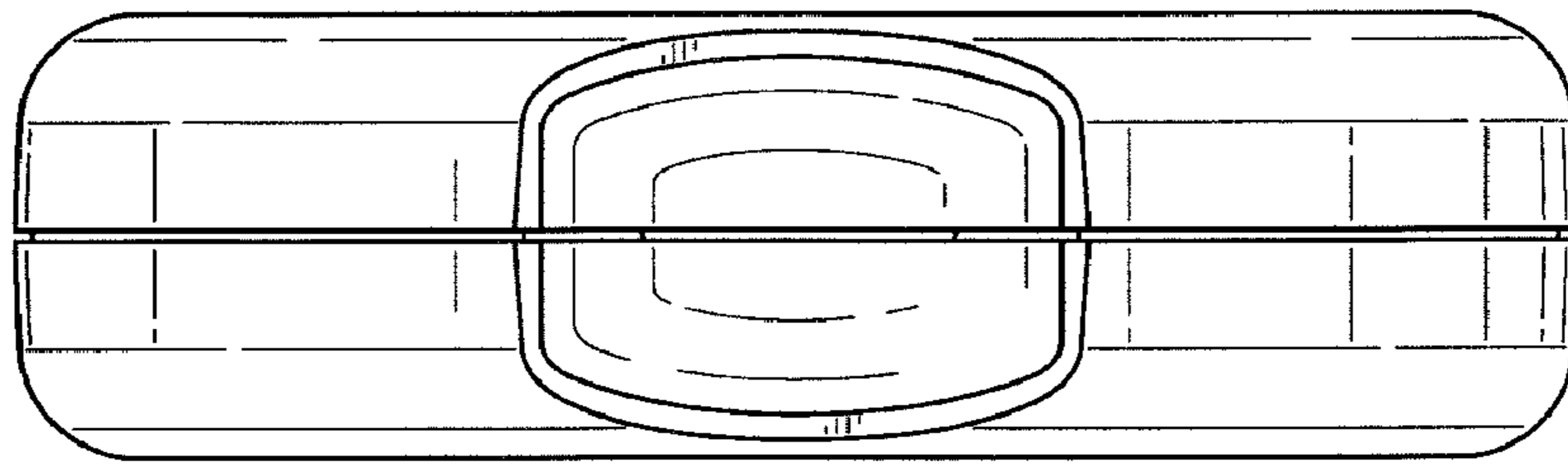


Fig. 3

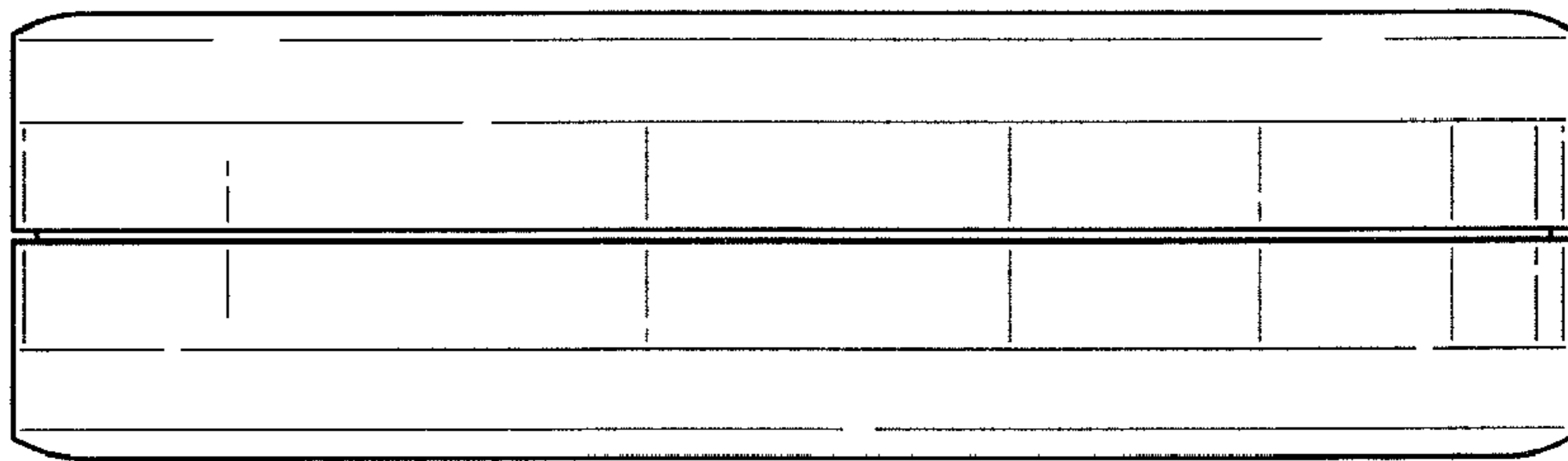


Fig. 4

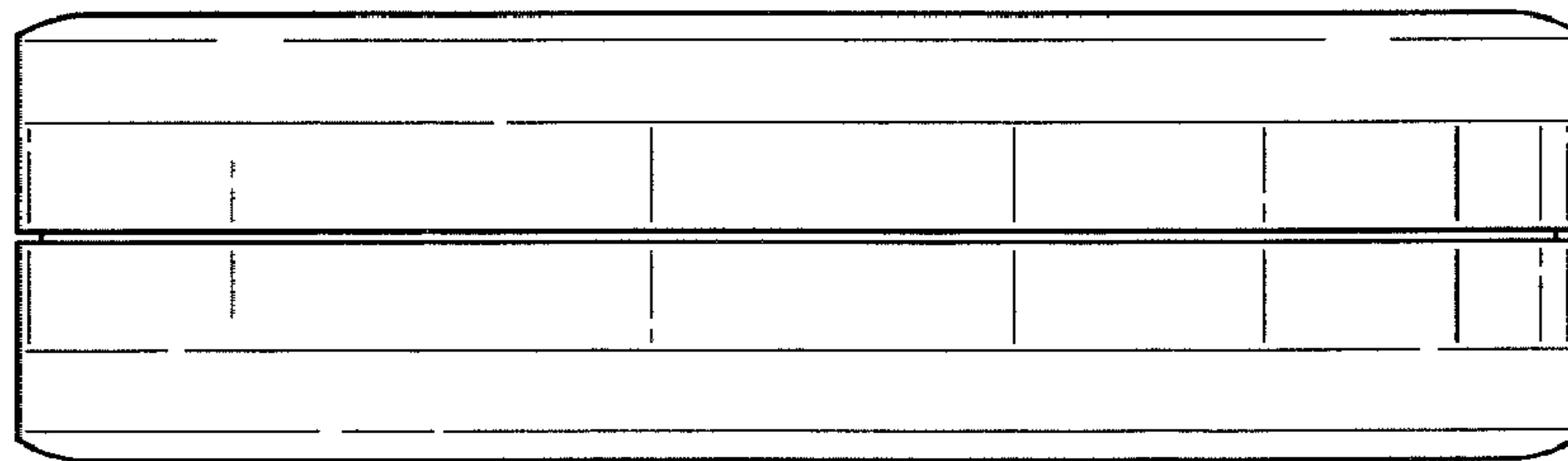


Fig. 5

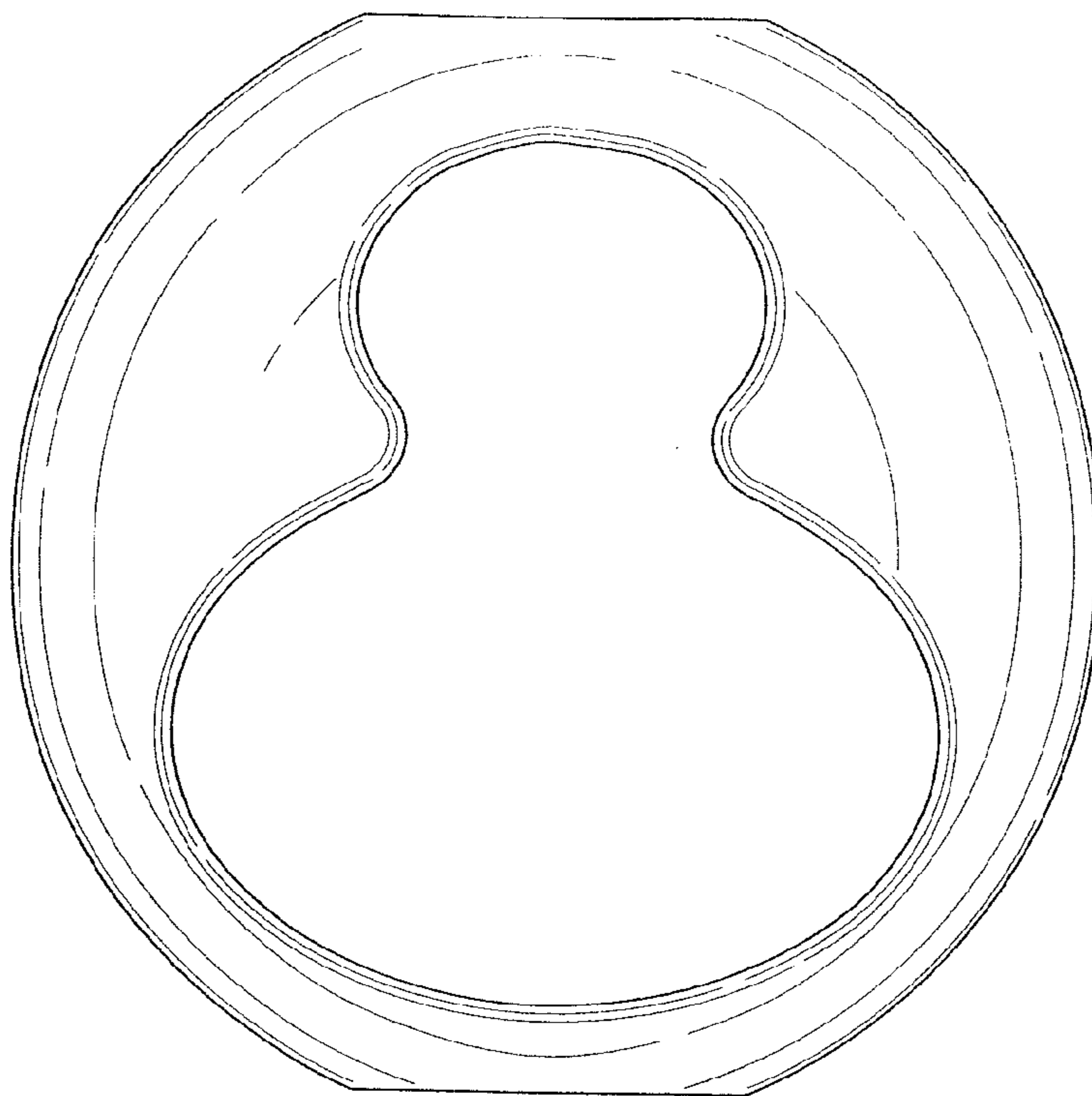


Fig. 6

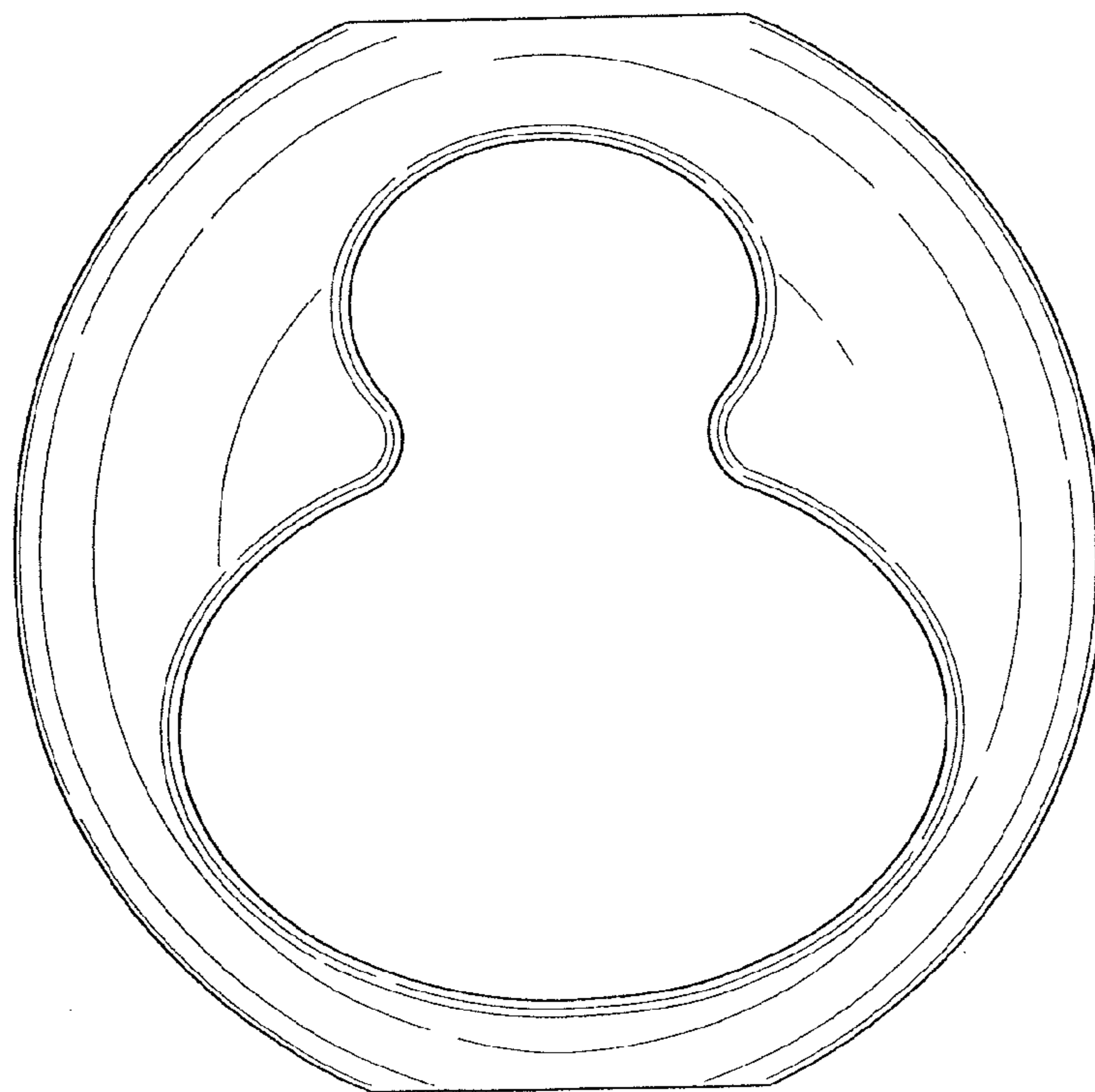


Fig. 7

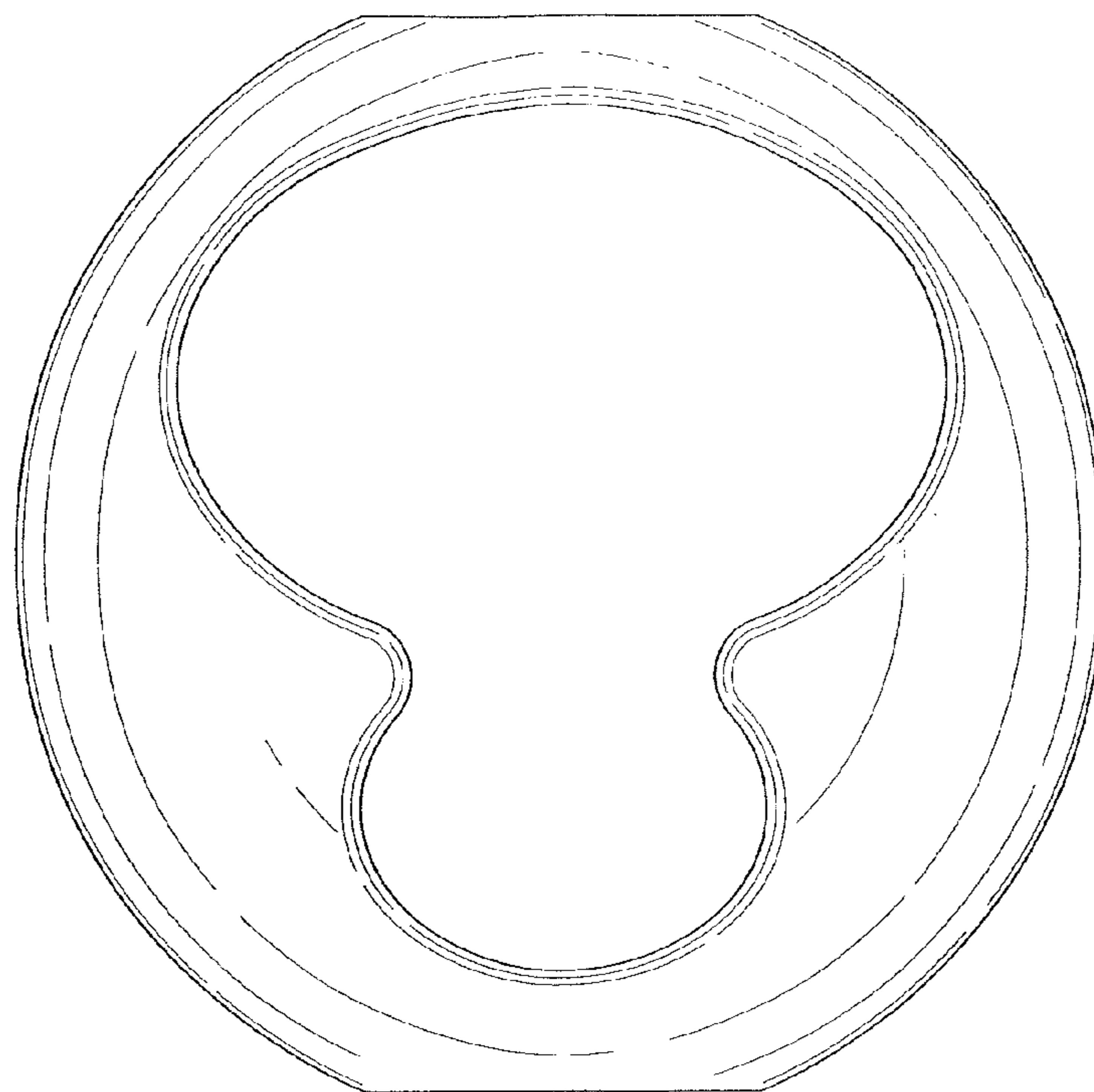


Fig. 8

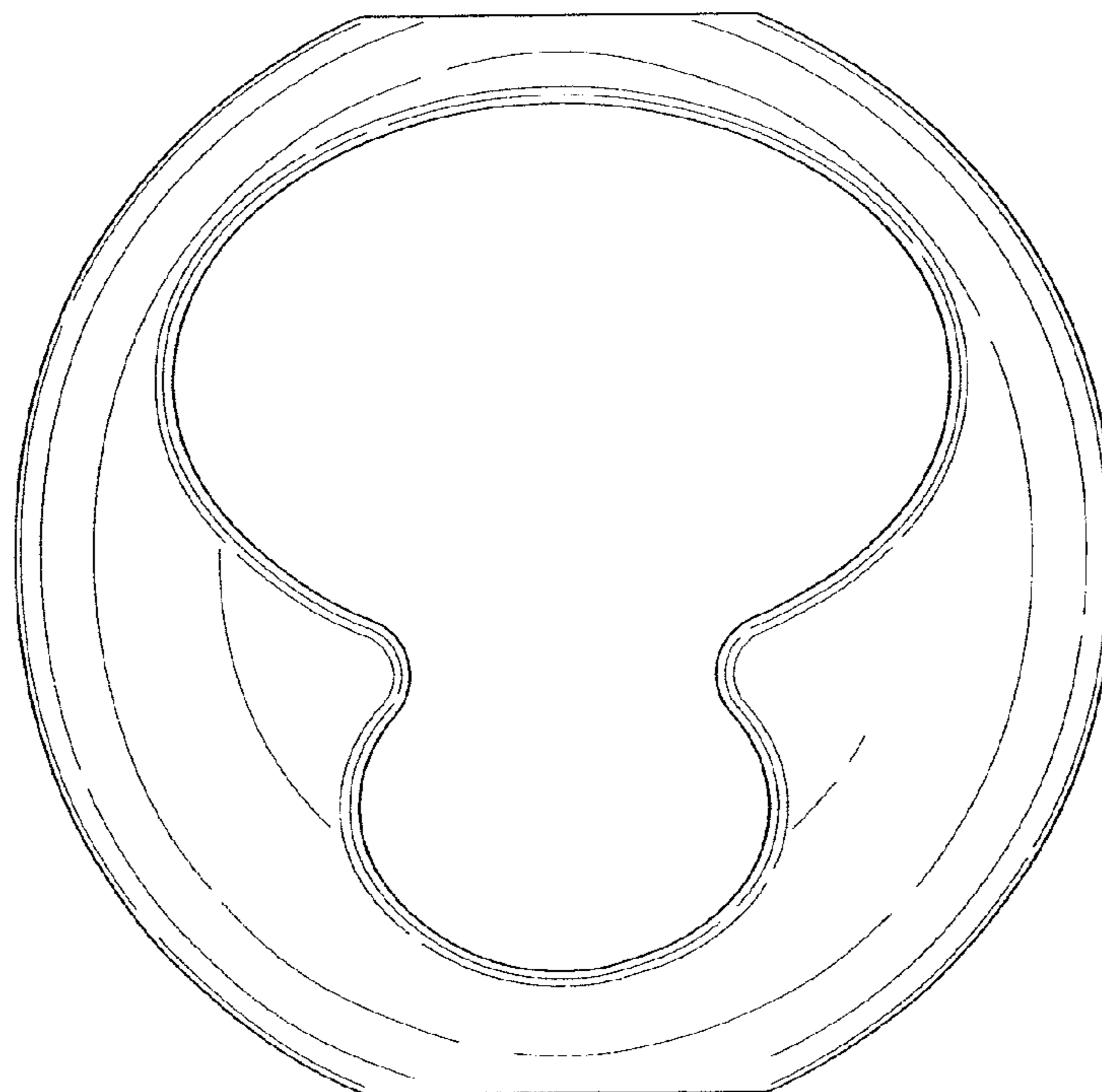


Fig. 9