



US00D663399S

(12) **United States Design Patent**
Browder

(10) **Patent No.:** **US D663,399 S**

(45) **Date of Patent:** **** Jul. 10, 2012**

(54) **COVER FOR A LIGHT AND/OR FRAGRANCE
EMITTER**

(75) Inventor: **John Browder**, Argyle, TX (US)

(73) Assignee: **IDC Enchanted Lighting Company,
LLC**, Roanoke, TX (US)

(**) Term: **14 Years**

(21) Appl. No.: **29/407,066**

(22) Filed: **Nov. 22, 2011**

(51) **LOC (9) Cl.** **28-99**

(52) **U.S. Cl.** **D23/366**

(58) **Field of Classification Search** D23/355-369;
D28/5, 6; 261/DIG. 17, DIG. 42, DIG. 65,
261/DIG. 88, DIG. 89; 392/386, 390, 394,
392/395; 239/34, 44, 53, 55, 56, 326; D26/14,
D26/17, 98, 9, 22, 24; D11/131.1; D7/509,
D7/522, 524, 537

See application file for complete search history.

(56) **References Cited**

U.S. PATENT DOCUMENTS

D100,298 S *	7/1936	Smith	D9/502
3,167,079 A *	1/1965	Weil	134/137
D206,463 S *	12/1966	Federighi	D9/502
D288,842 S *	3/1987	Kwiatkowski	D23/366
D319,183 S *	8/1991	Halm	D9/552
D319,581 S *	9/1991	Halm	D32/29.1
D322,558 S *	12/1991	Halm et al.	D32/29.1
D392,032 S *	3/1998	Zaragoza et al.	D23/369

D412,759 S *	8/1999	Hardy	D26/9
D447,256 S *	8/2001	Ratia	D26/9
D454,190 S *	3/2002	Trocola	D23/366
6,419,122 B1 *	7/2002	Chown	222/162
D509,893 S *	9/2005	Sevy	D23/366
D530,221 S *	10/2006	Pagina	D9/692
D535,376 S *	1/2007	Michaels et al.	D23/366
D544,084 S *	6/2007	Michaels et al.	D23/366
D599,899 S *	9/2009	Thompson	D23/366
D612,473 S *	3/2010	Valentino et al.	D23/366
D613,844 S *	4/2010	Jorgensen	D23/366
D622,835 S *	8/2010	Mendheim	D23/364
D633,191 S *	2/2011	Sato	D23/366
D637,275 S *	5/2011	Baraky	D23/366

* cited by examiner

Primary Examiner — Sandra Snapp

(74) *Attorney, Agent, or Firm* — Brian Harris

(57) **CLAIM**

The ornamental design for a cover for a light and/or fragrance emitter, as shown and described.

DESCRIPTION

FIG. 1 is a perspective view of a cover for a light and/or fragrance emitter showing my new design;

FIG. 2 is a front view thereof;

FIG. 3 is a back view thereof;

FIG. 4 is a left side view thereof;

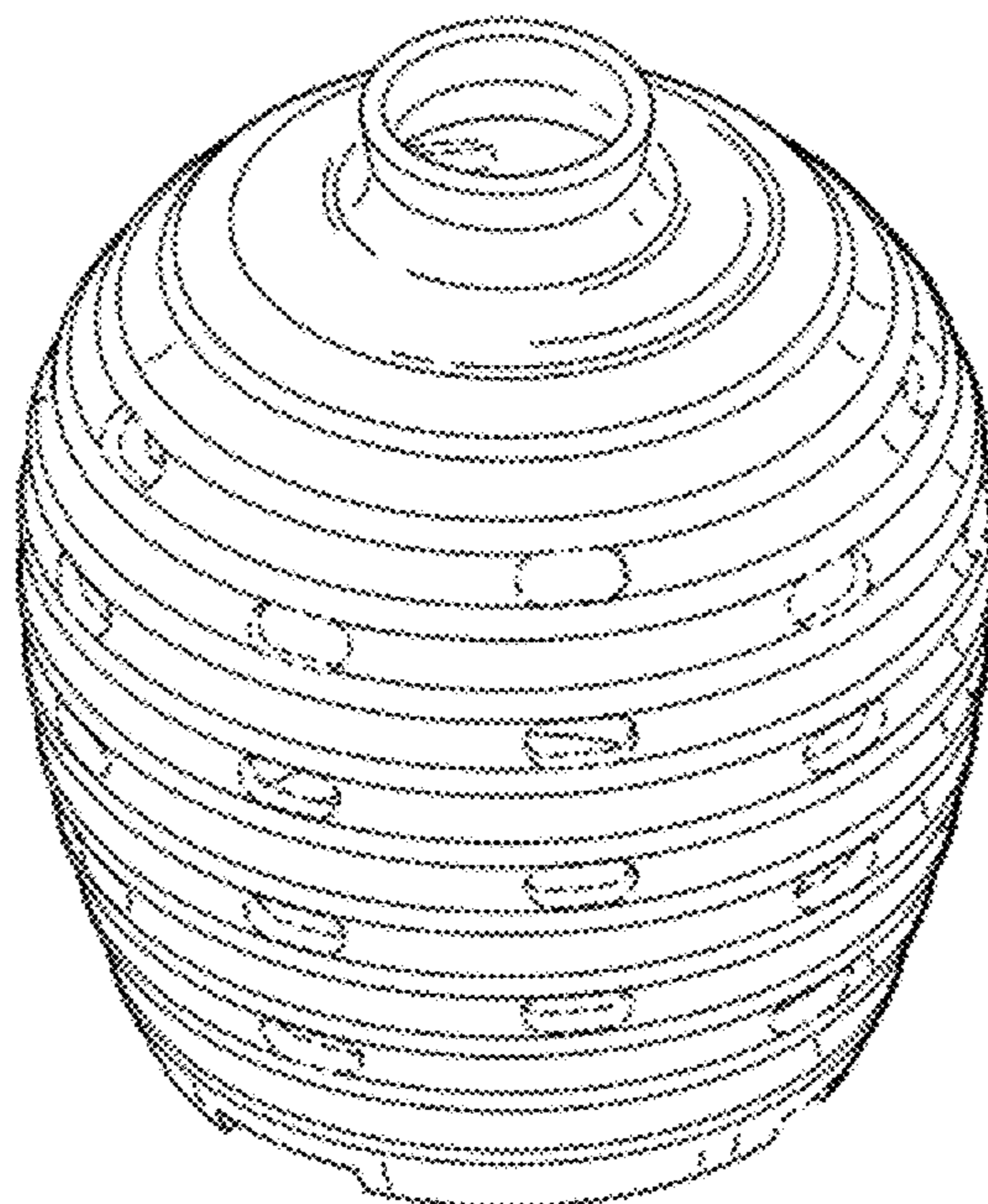
FIG. 5 is a right side view thereof;

FIG. 6 is a top view thereof; and,

FIG. 7 is a bottom view thereof.

The broken lines form no part of the claimed design.

1 Claim, 4 Drawing Sheets



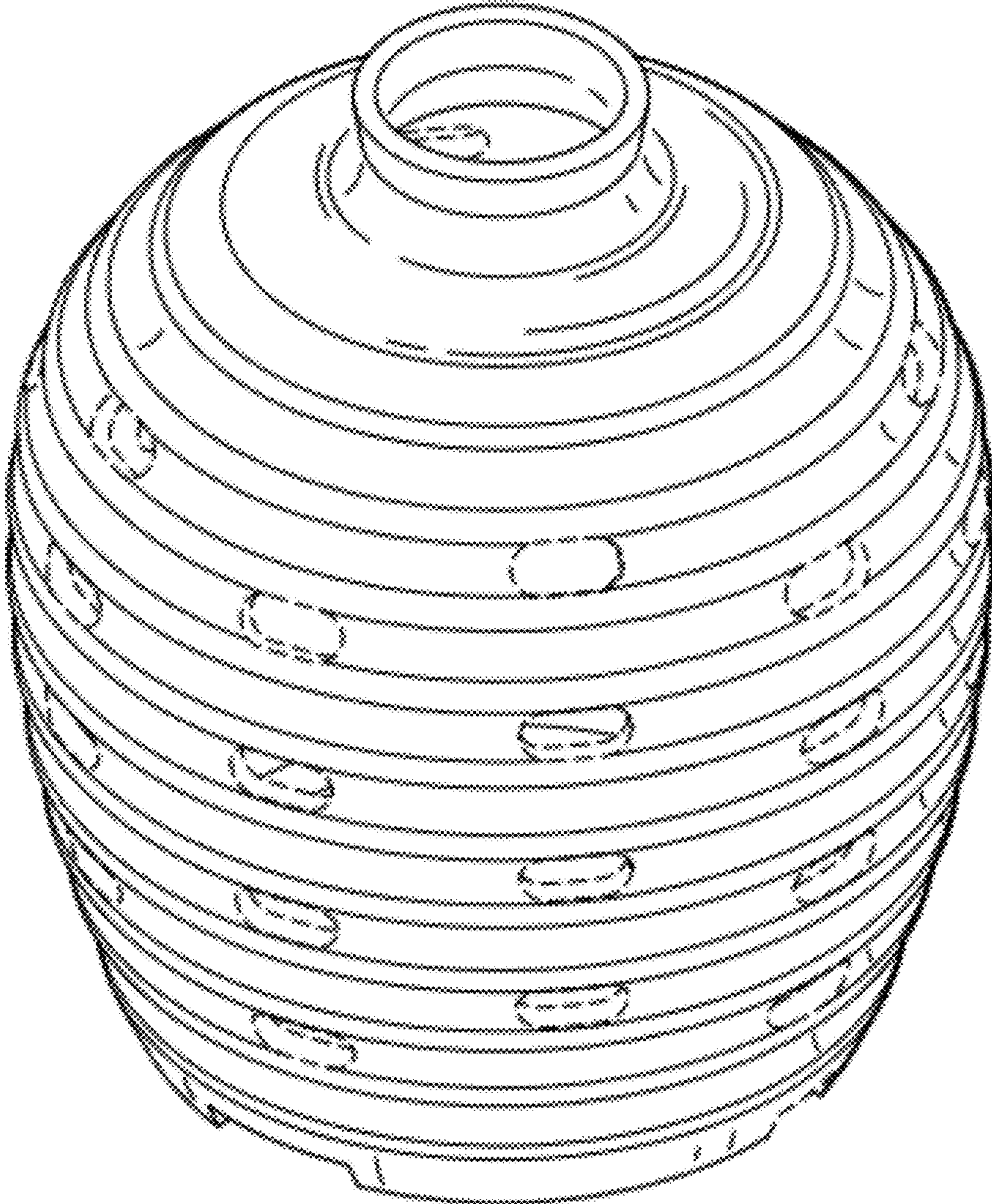


FIG. 1

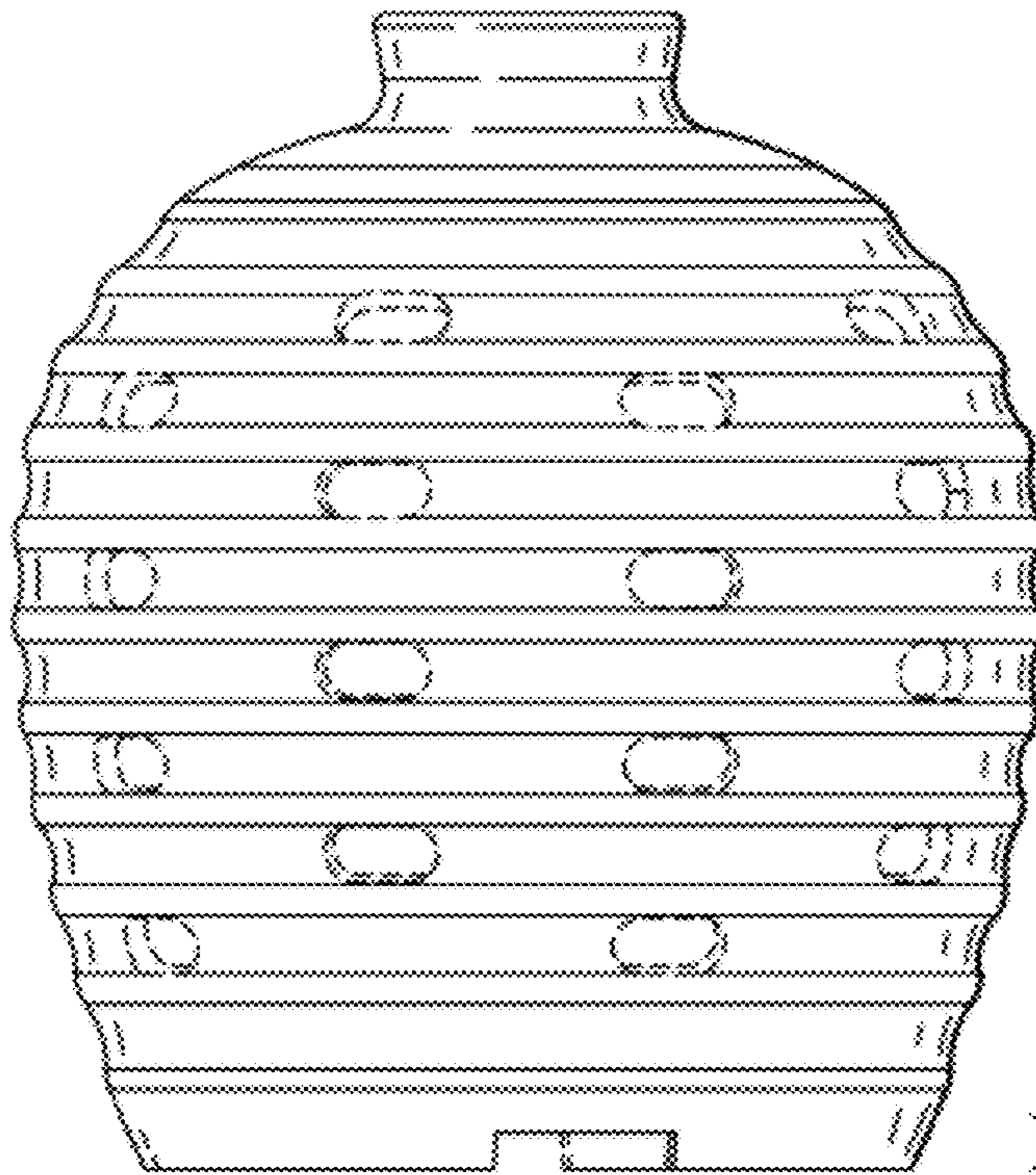


FIG. 2

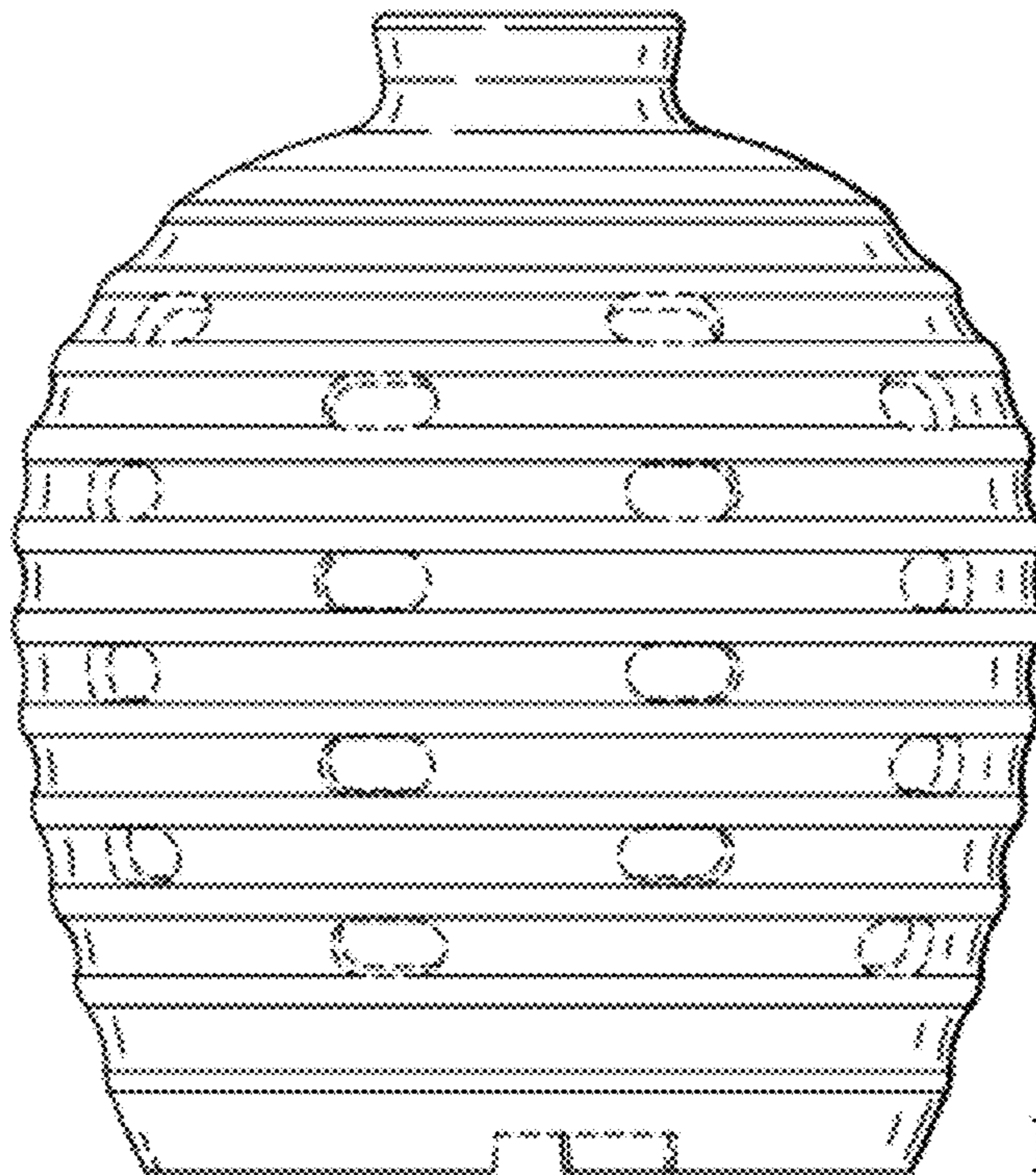


FIG. 3

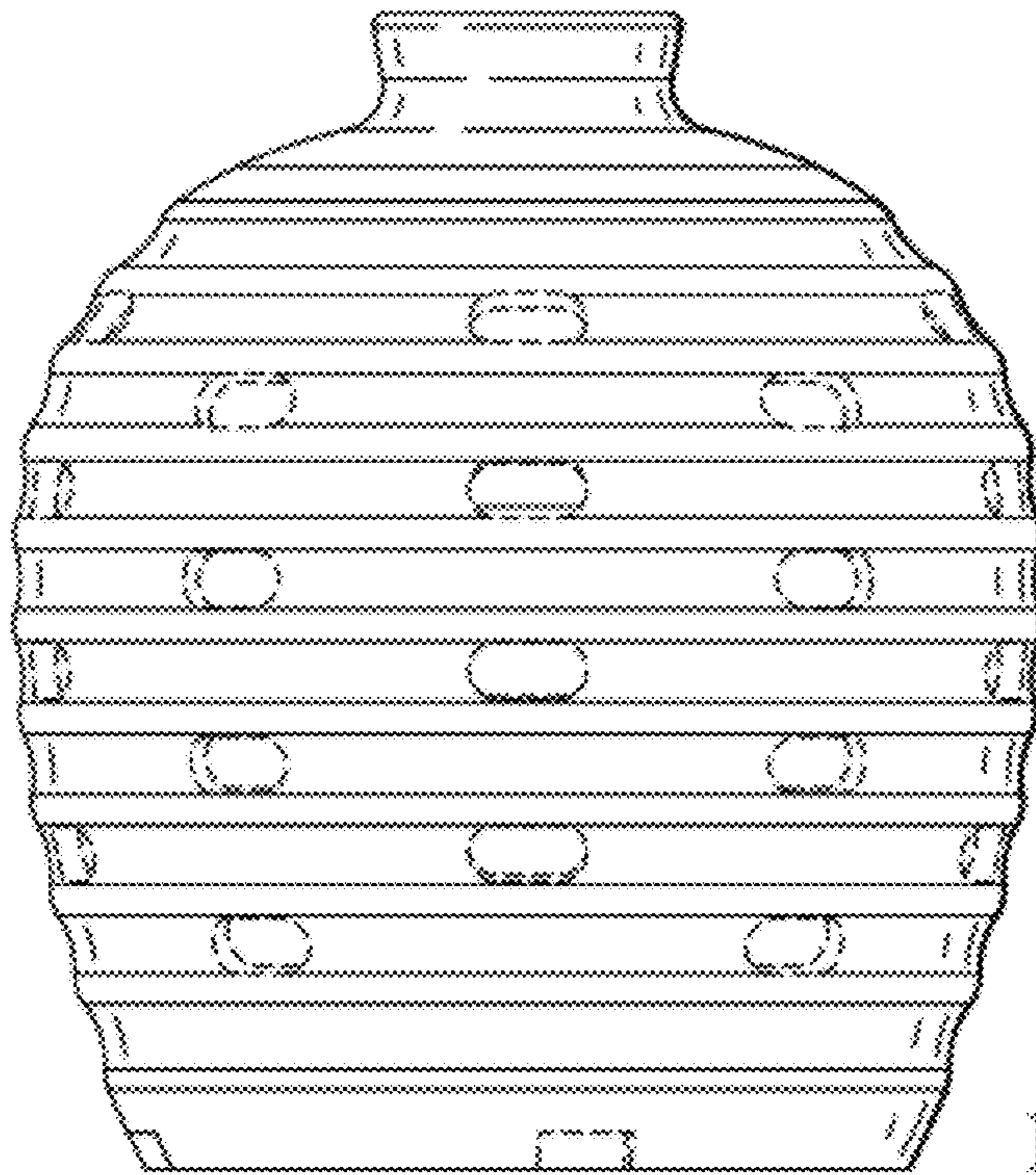


FIG. 4

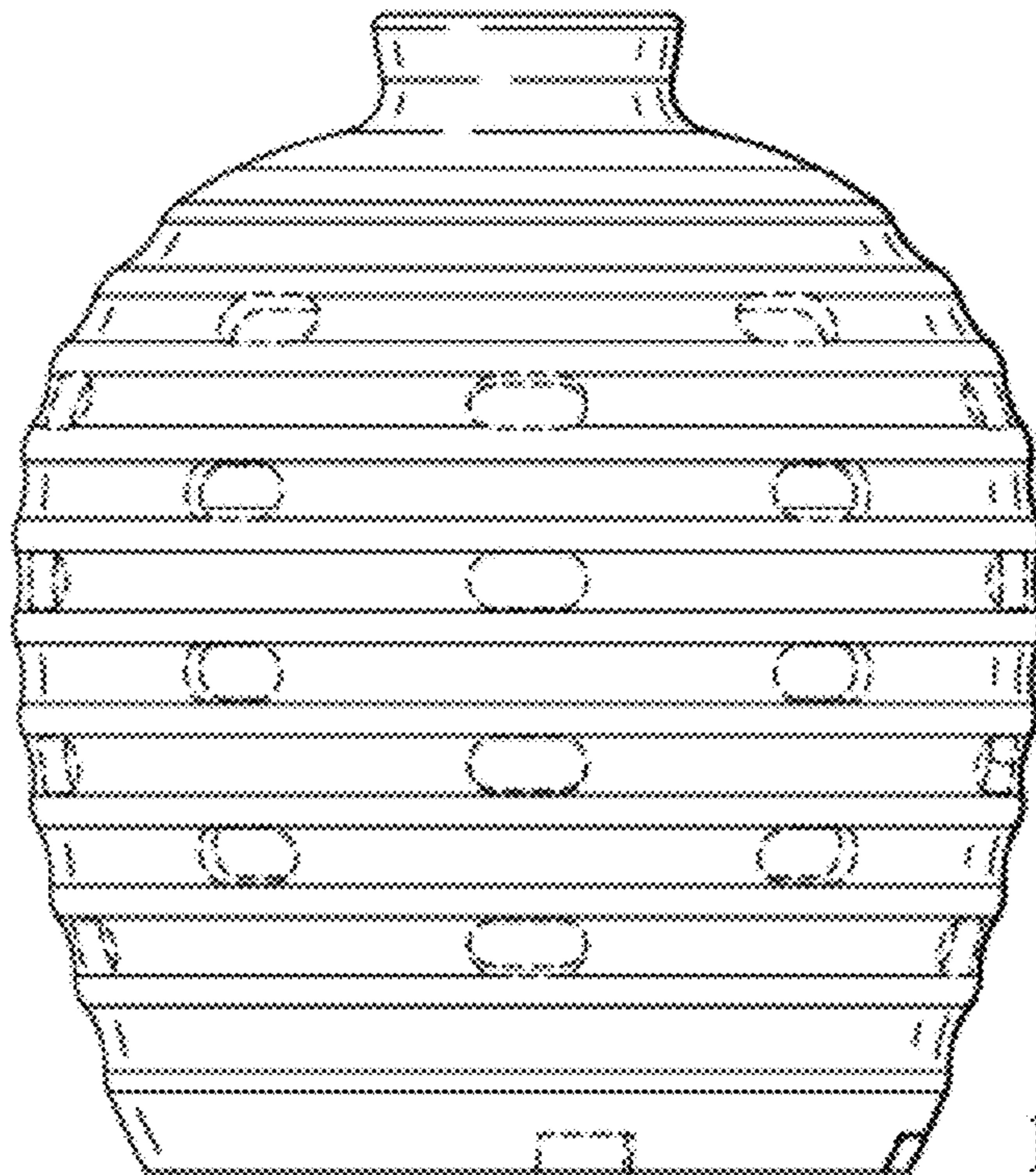


FIG. 5

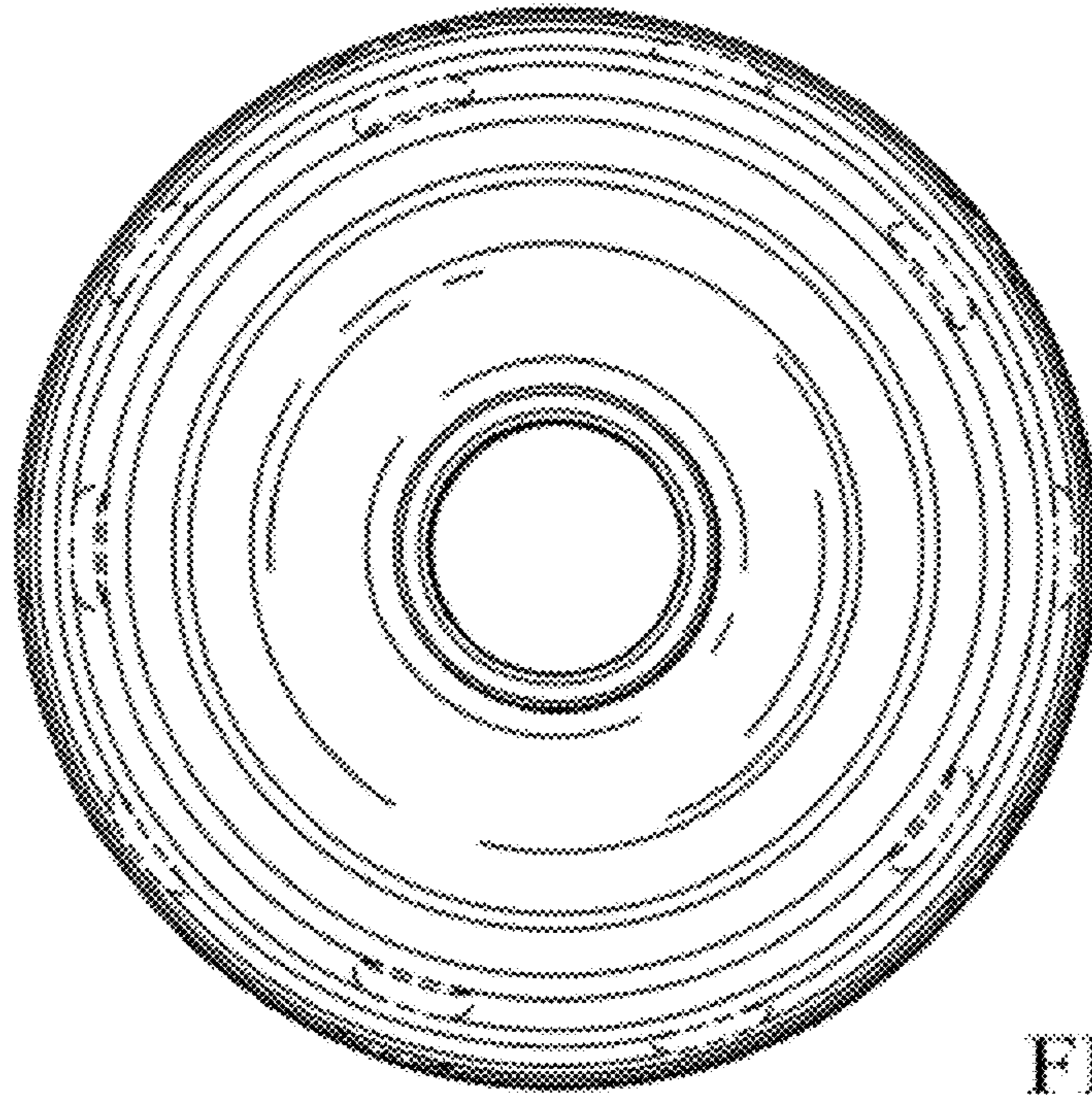


FIG. 6

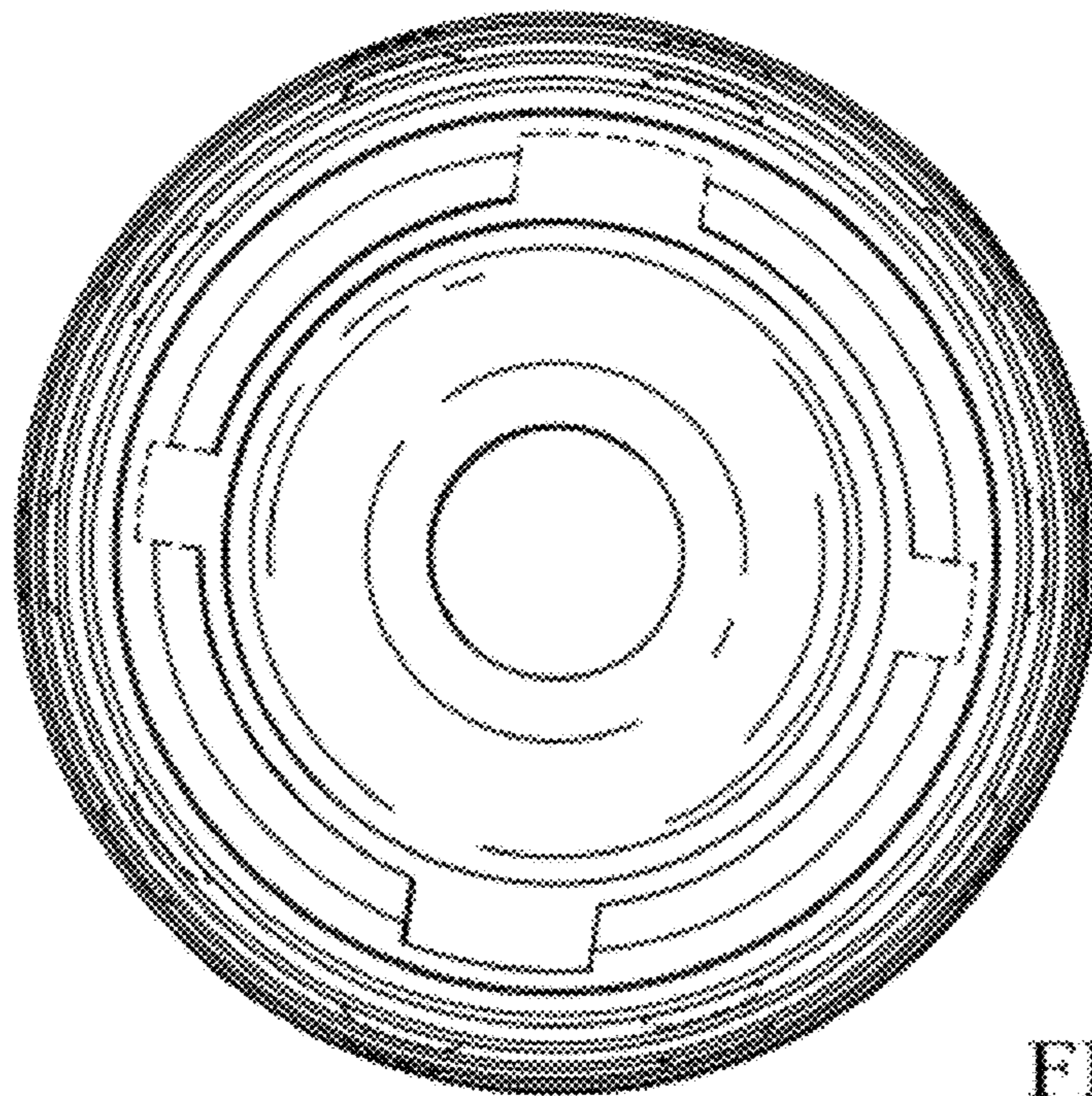


FIG. 7