

US00D663398S

(12) **United States Design Patent**  
**Krol**

(10) **Patent No.:** **US D663,398 S**

(45) **Date of Patent:** **\*\* \*Jul. 10, 2012**

(54) **ADJUSTABLE MODULAR MISTING ASSEMBLY**

(76) Inventor: **Marcin Krol**, Windsor (CA)

(\*) Notice: This patent is subject to a terminal disclaimer.

(\*\*) Term: **14 Years**

(21) Appl. No.: **29/275,072**

(22) Filed: **Dec. 12, 2006**

(51) **LOC (9) Cl.** ..... **23-04**

(52) **U.S. Cl.** ..... **D23/356; D23/386**

(58) **Field of Classification Search** ..... D23/356, D23/266, 262, 263, 359, 364, 355, 360, 366, D23/369, 332, 333, 335, 342, 351, 358; 285/133.11, 285/130.1, 137.11, 145.2; 138/42, 155, 157; 422/120, 122; 55/356, 473, 504; 96/97; 261/DIG. 17, DIG. 65, DIG. 88, DIG. 31  
See application file for complete search history.

(56) **References Cited**

**U.S. PATENT DOCUMENTS**

1,576,662 A \* 3/1926 Leonard ..... 285/133.11  
4,338,793 A \* 7/1982 O'Hern, Jr. .... 285/133.11

D275,233 S \* 8/1984 DeVroom ..... D23/263  
D321,746 S \* 11/1991 Cockman ..... D23/263  
5,266,740 A \* 11/1993 Hsu ..... 285/137.11  
D354,553 S \* 1/1995 Lange ..... D23/263  
D370,964 S \* 6/1996 Horvath et al. .... D23/262  
D373,409 S \* 9/1996 Shifflet et al. .... D23/263  
D396,391 S \* 7/1998 Rein et al. .... D23/263  
6,270,125 B1 \* 8/2001 Rowley et al. .... 285/133.11  
D456,494 S \* 4/2002 Whitfield ..... D23/266  
D468,811 S \* 1/2003 Holbrook ..... D23/259  
D470,577 S \* 2/2003 Knight et al. .... D23/266

\* cited by examiner

*Primary Examiner* — David Muller

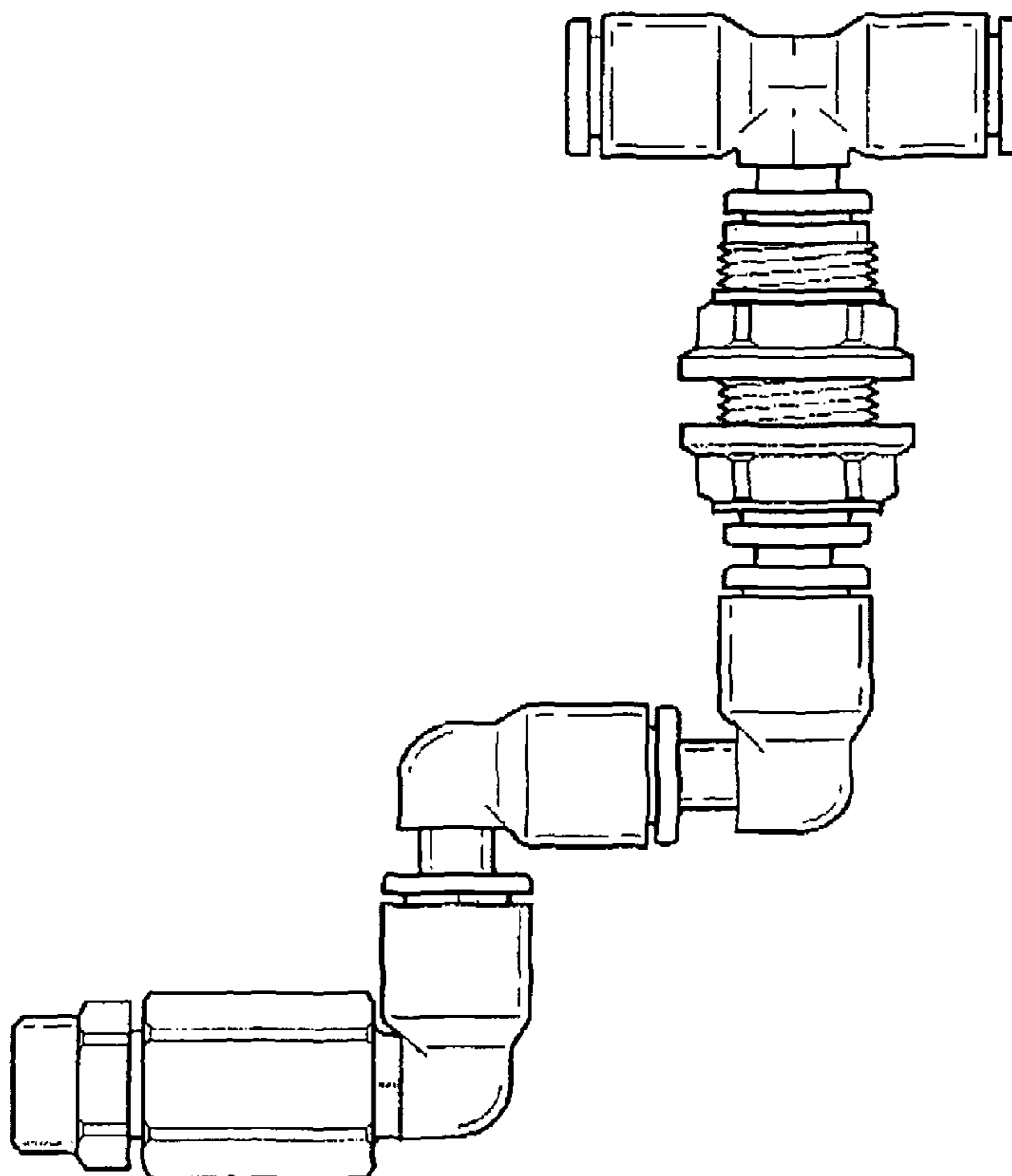
(57) **CLAIM**

The ornamental design for a modular adjustable misting assembly, as shown and described.

**DESCRIPTION**

FIG. 1 is a side elevation view of a misting assembly according to my new design;  
FIG. 2 is perspective view thereof, illustrating the misting assembly; and,  
FIG. 3 is an exploded side elevation view thereof.

**1 Claim, 3 Drawing Sheets**



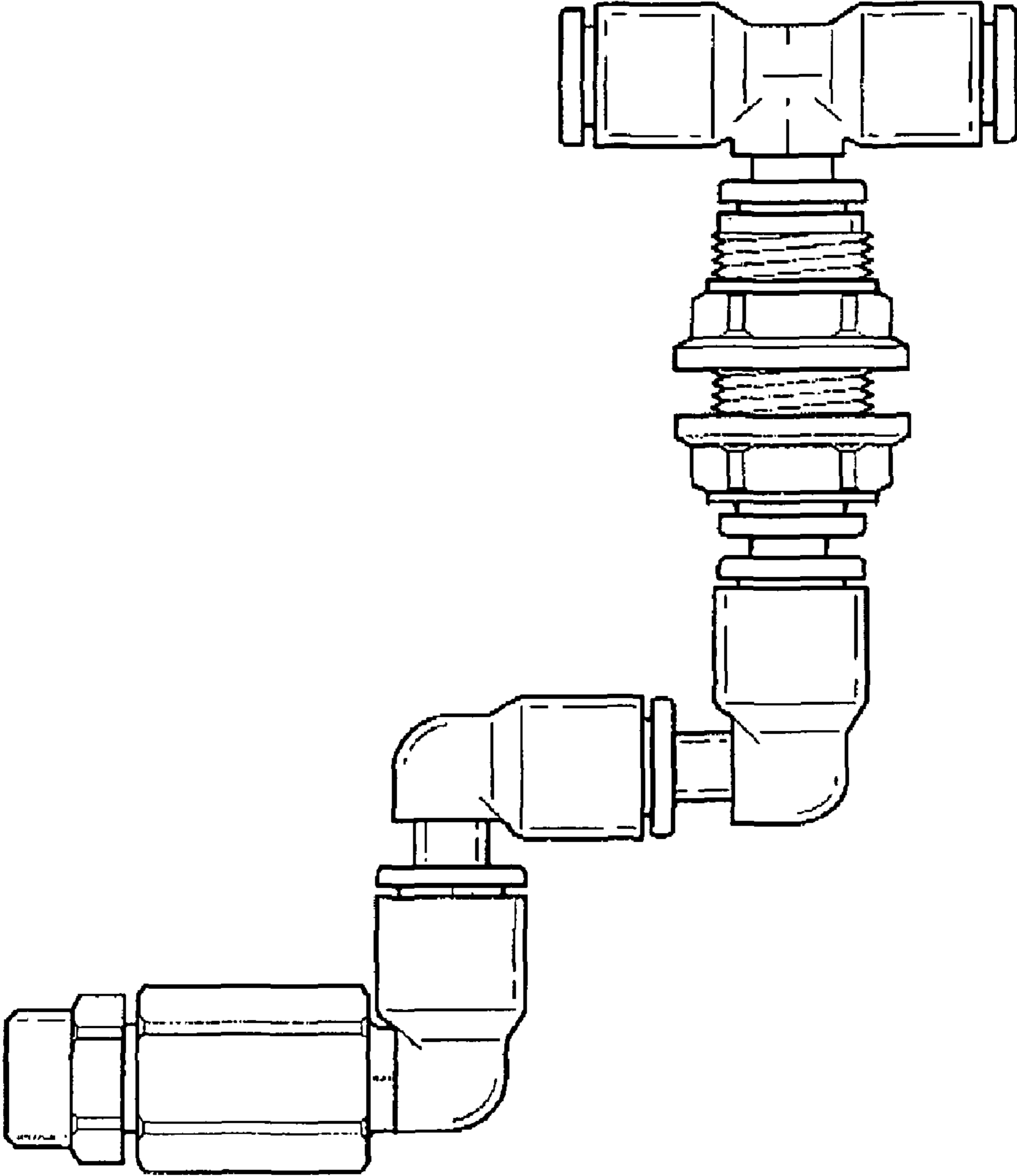


Figure 1

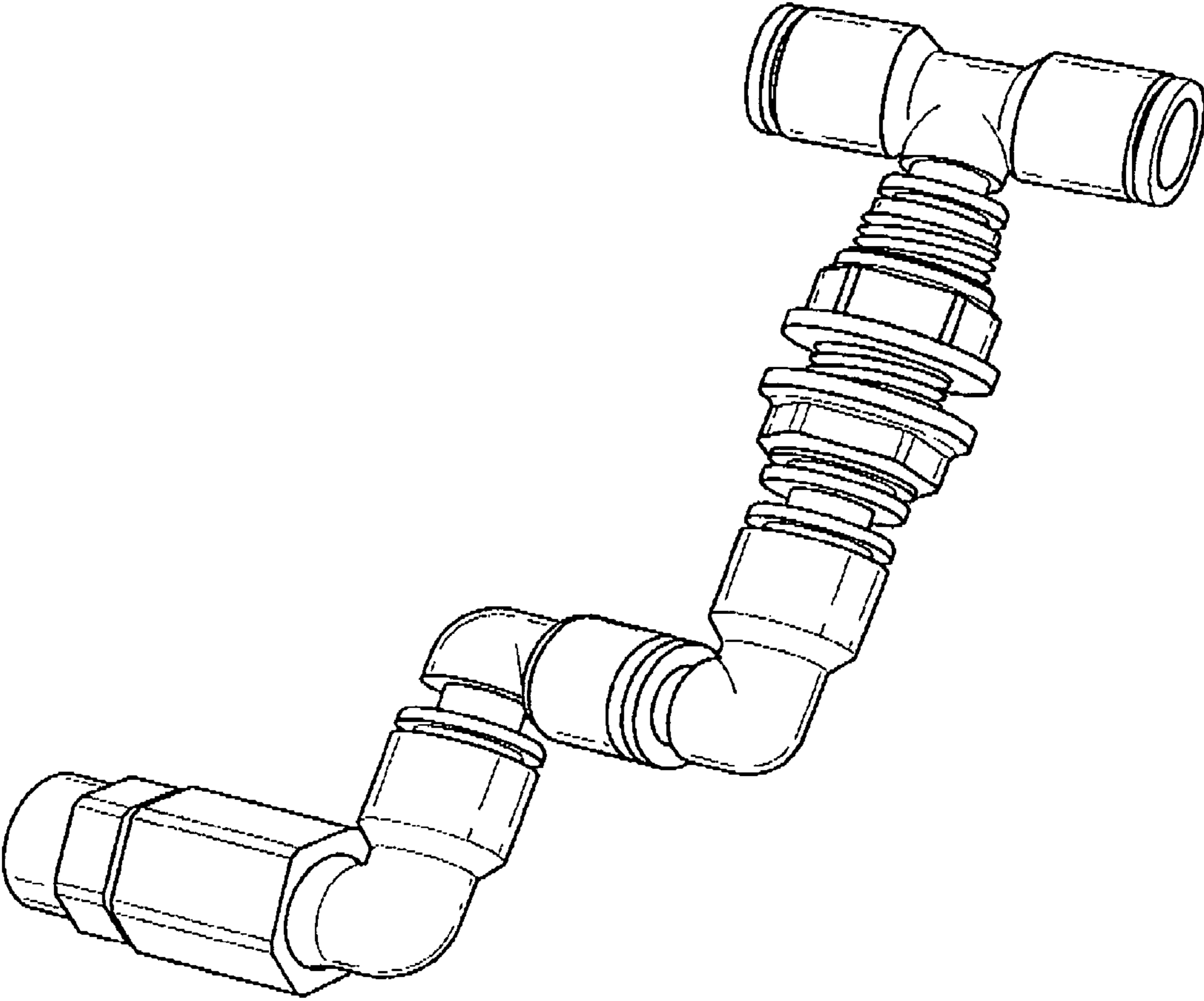


Figure 2

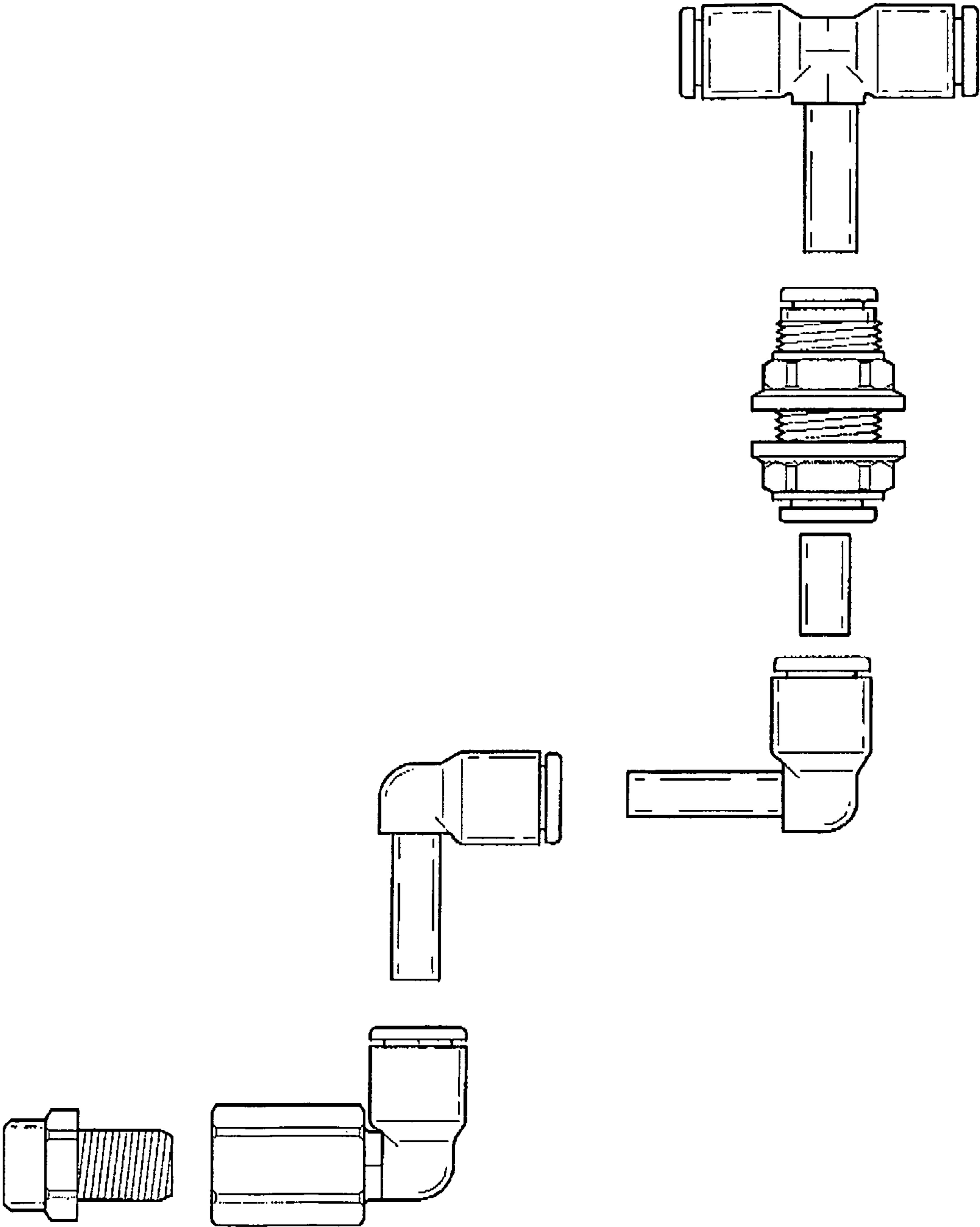


Figure 3