



US00D663397S

(12) **United States Design Patent**
Yeung

(10) **Patent No.:** **US D663,397 S**

(45) **Date of Patent:** **** Jul. 10, 2012**

(54) **AUTOMOTIVE VENT POD**

(76) Inventor: **Winston Yeung**, North Vancouver (CA)

(**) Term: **14 Years**

(21) Appl. No.: **29/406,857**

(22) Filed: **Nov. 18, 2011**

(51) **LOC (9) Cl.** **12-16**

(52) **U.S. Cl.** **D23/324**

(58) **Field of Classification Search** D12/192,
D12/196, 415, 400; D23/327, 390, 411,
D23/412, 393; 16/110.1; 454/155

See application file for complete search history.

(56) **References Cited**

U.S. PATENT DOCUMENTS

4,938,122	A *	7/1990	Ziemba	454/145
D485,894	S *	1/2004	Fraser et al.	D23/327
6,739,968	B1 *	5/2004	Gehring et al.	454/152
D542,898	S *	5/2007	Juraschek	D23/327
D603,782	S *	11/2009	Wilhelm	D12/415
D606,183	S *	12/2009	Rosenbohm	D23/327
2004/0072533	A1 *	4/2004	Cho	454/155

2004/0092224	A1 *	5/2004	Gehring et al.	454/155
2006/0057952	A1 *	3/2006	Kim	454/155
2010/0120347	A1 *	5/2010	Gehring et al.	454/155

* cited by examiner

Primary Examiner — T. Chase Nelson

Assistant Examiner — Ania Aman

(74) *Attorney, Agent, or Firm* — C. Larry Kyle; Nexus Law Group LLP

(57) **CLAIM**

The ornamental design for an automotive vent pod, as shown and described.

DESCRIPTION

FIG. 1 is a bottom view of an automotive vent pod, showing my new design;

FIG. 2 is a front elevation view thereof;

FIG. 3 is a top view thereof;

FIG. 4 is a rear elevation view thereof;

FIG. 5 is a front perspective view thereof from the top right;

FIG. 6 is a left side view thereof;

FIG. 7 is a front perspective view thereof from the top right showing the back cover disconnected;

FIG. 8 is a right side thereof; and,

FIG. 9 is a rear perspective view thereof from the top left.

1 Claim, 4 Drawing Sheets

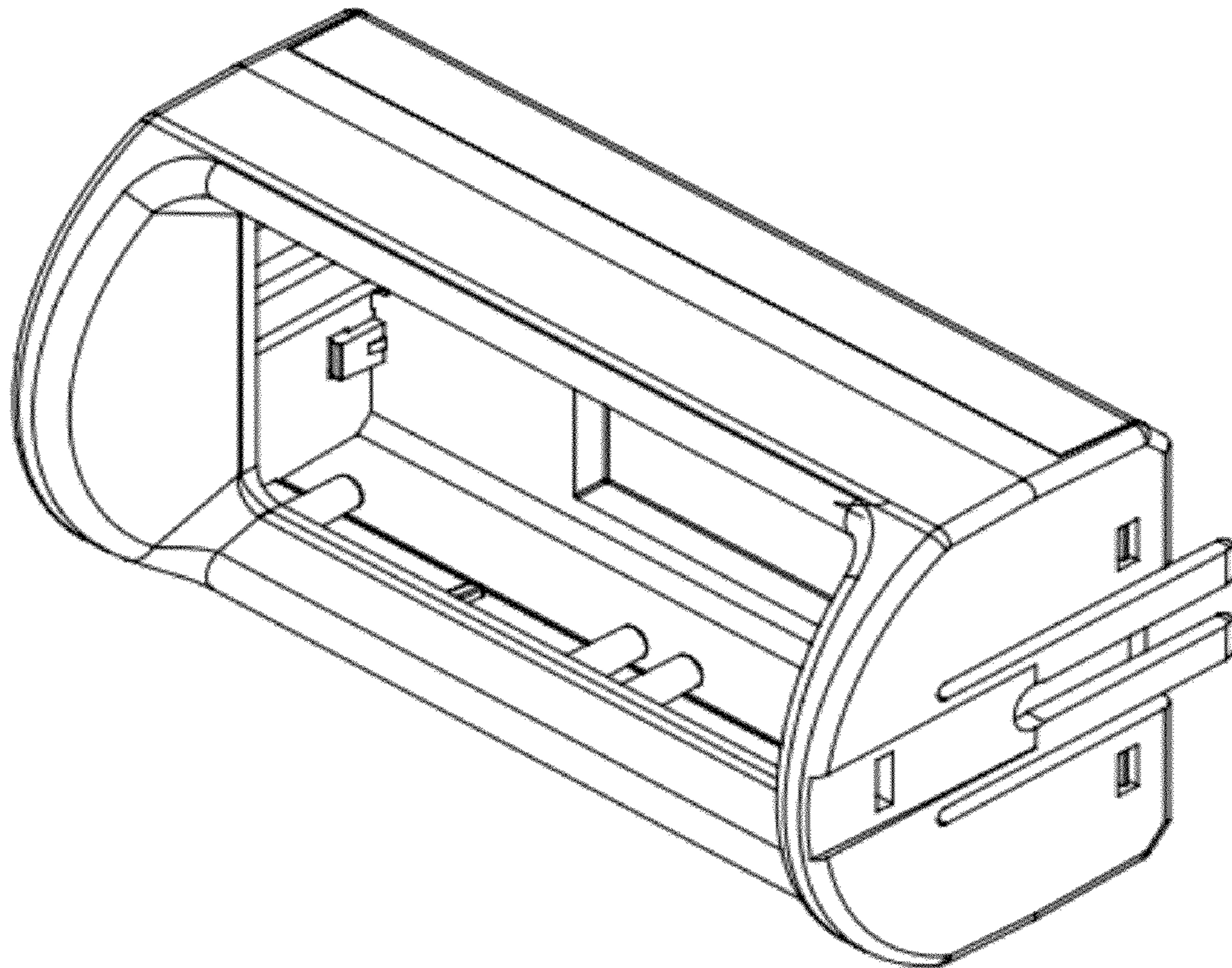


FIGURE-1

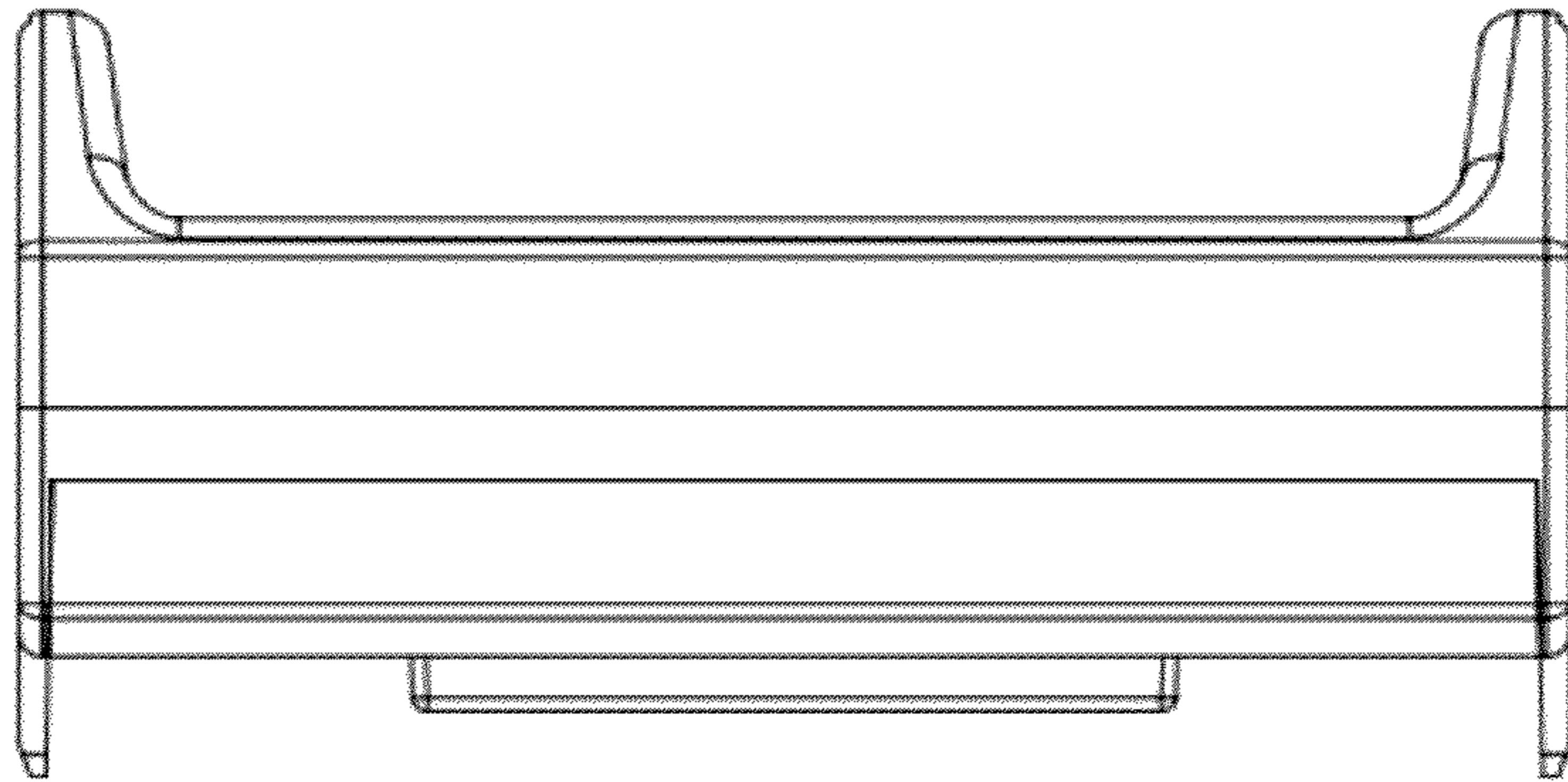


FIGURE-2

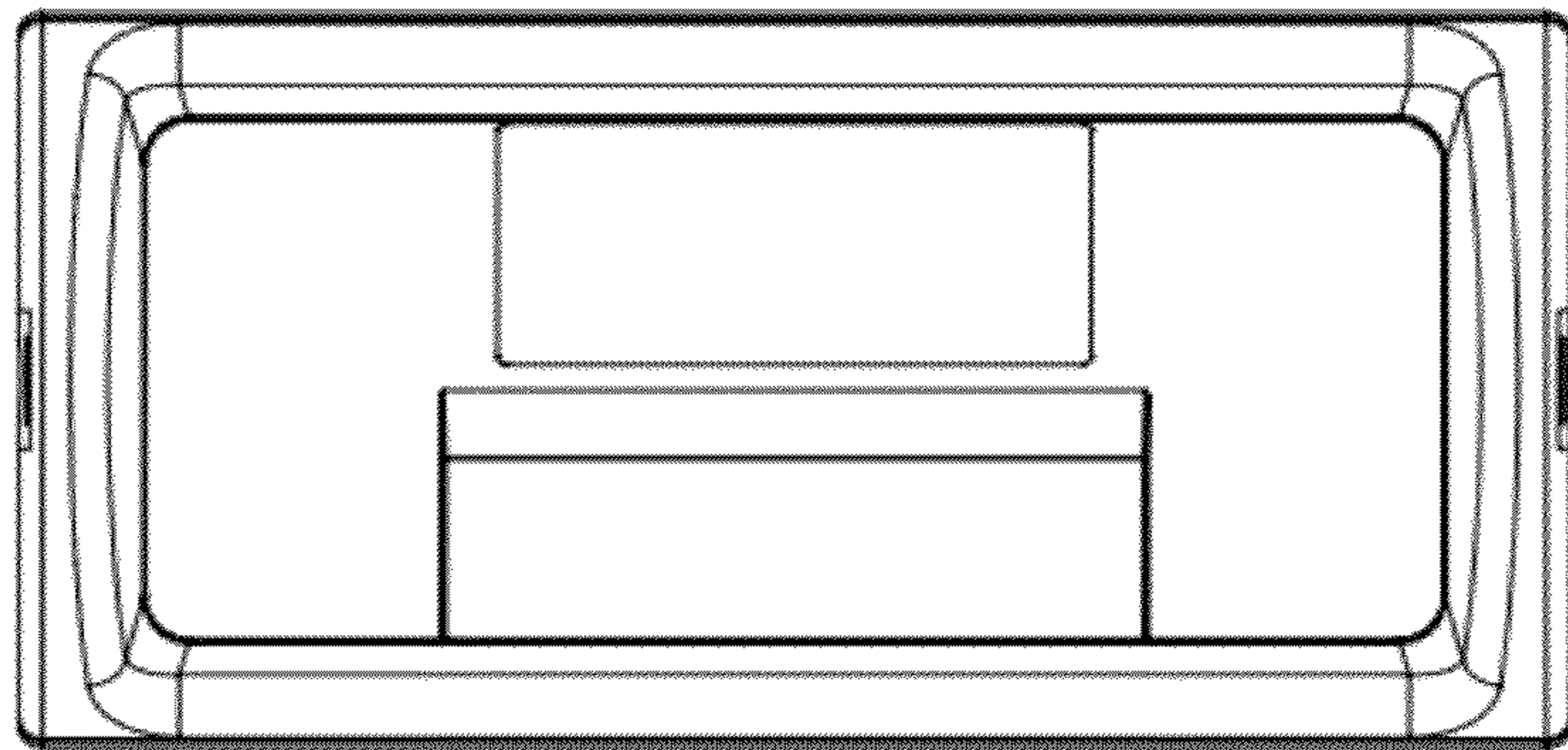


FIGURE-3

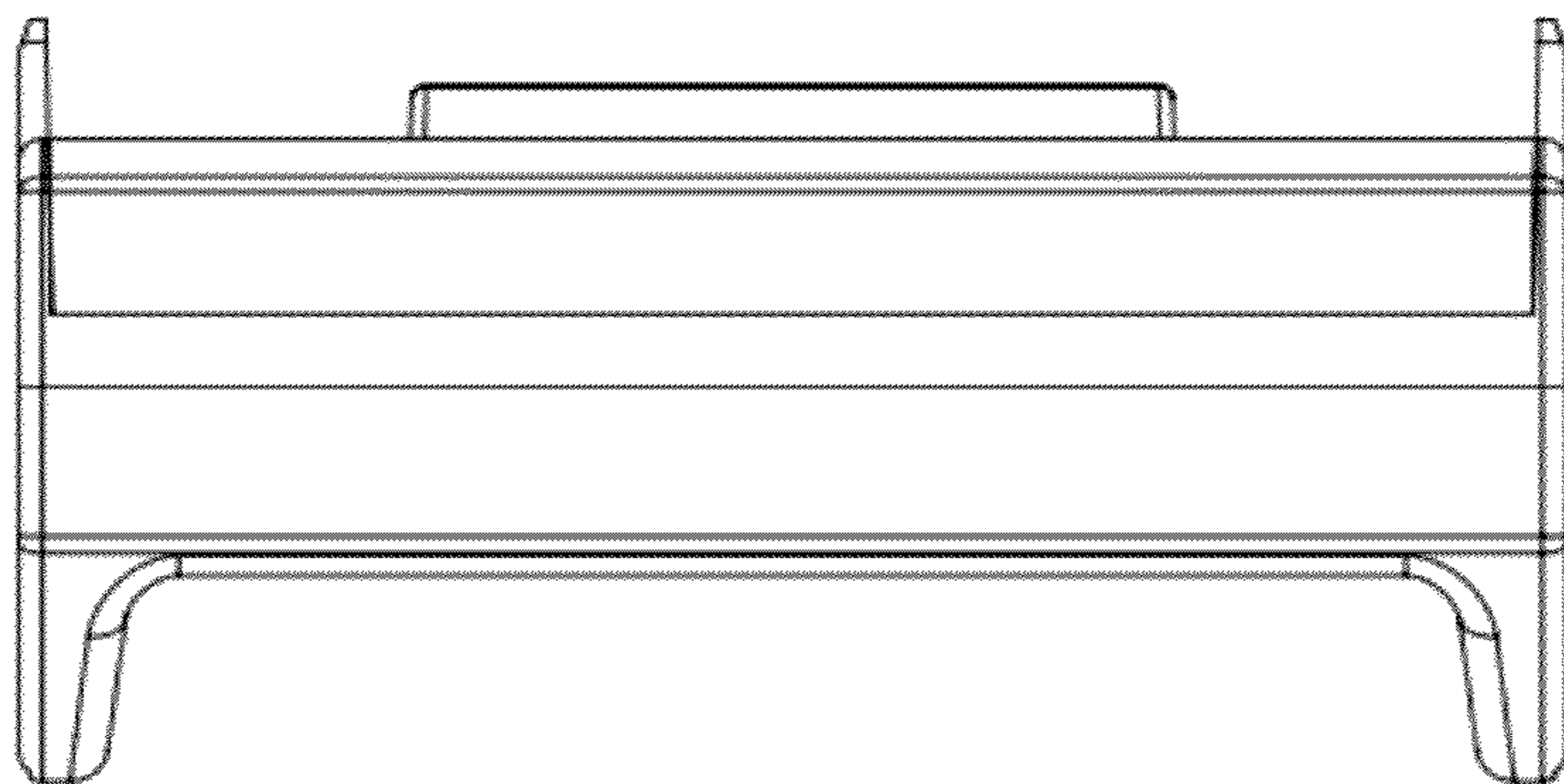


FIGURE-4

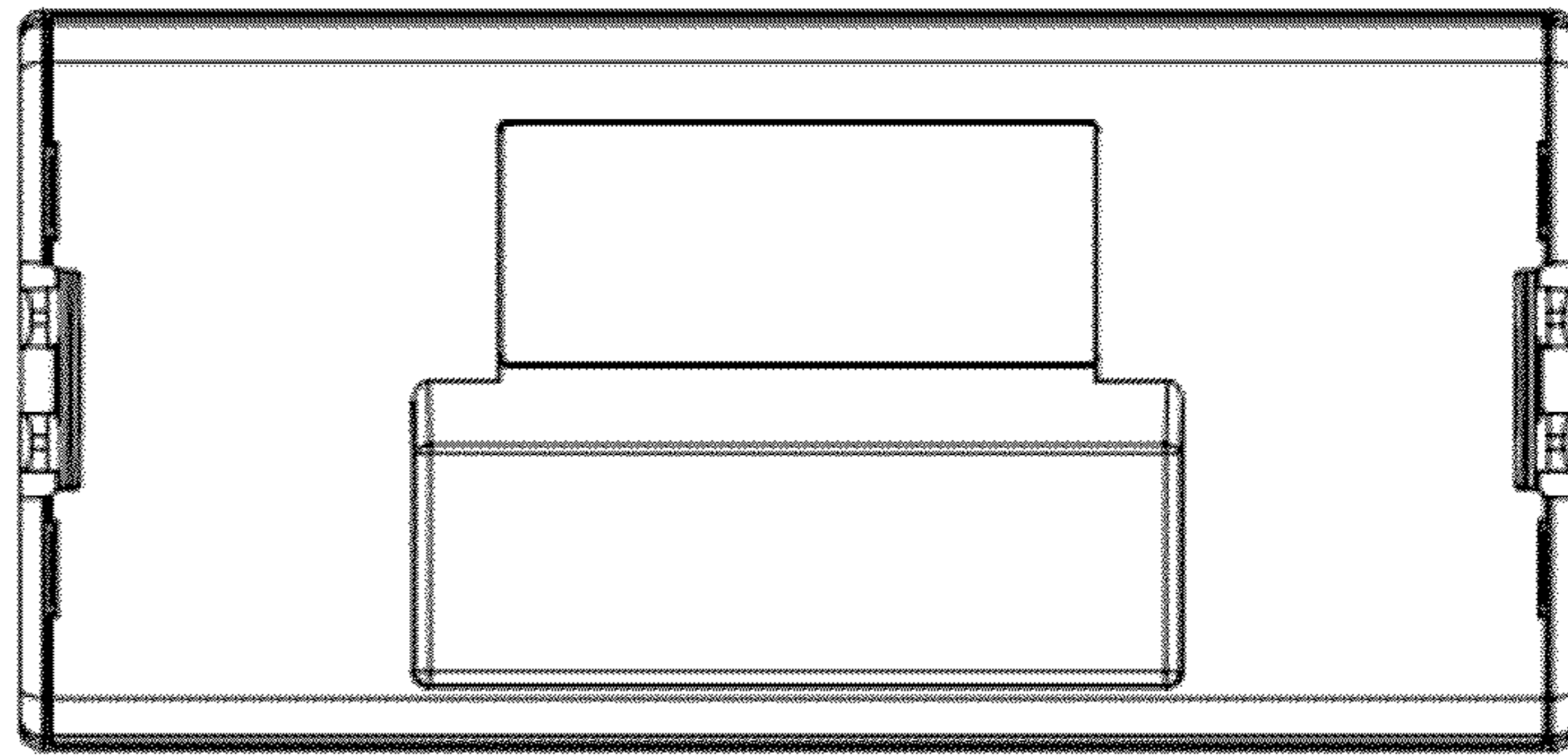


FIGURE-5

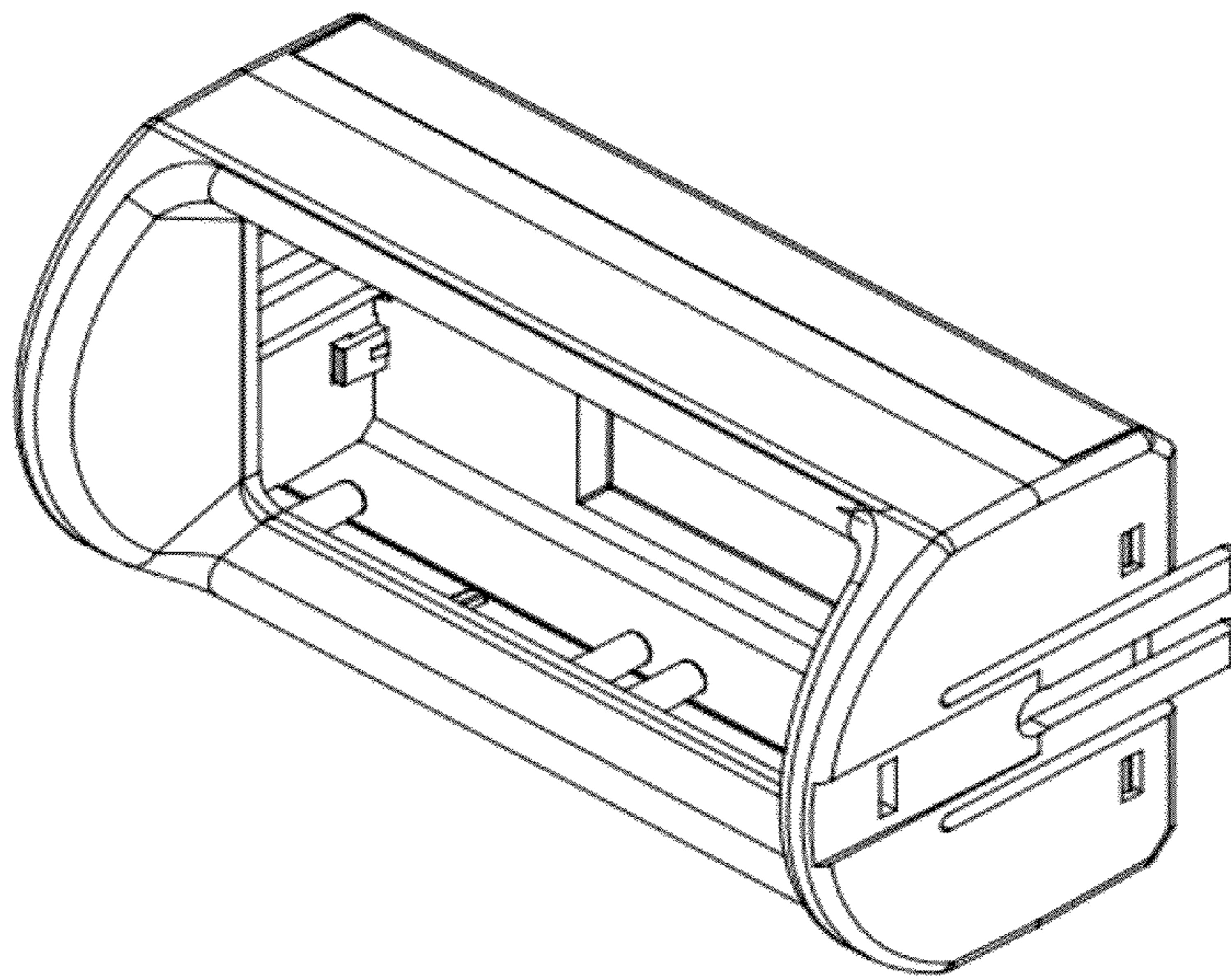


FIGURE-6

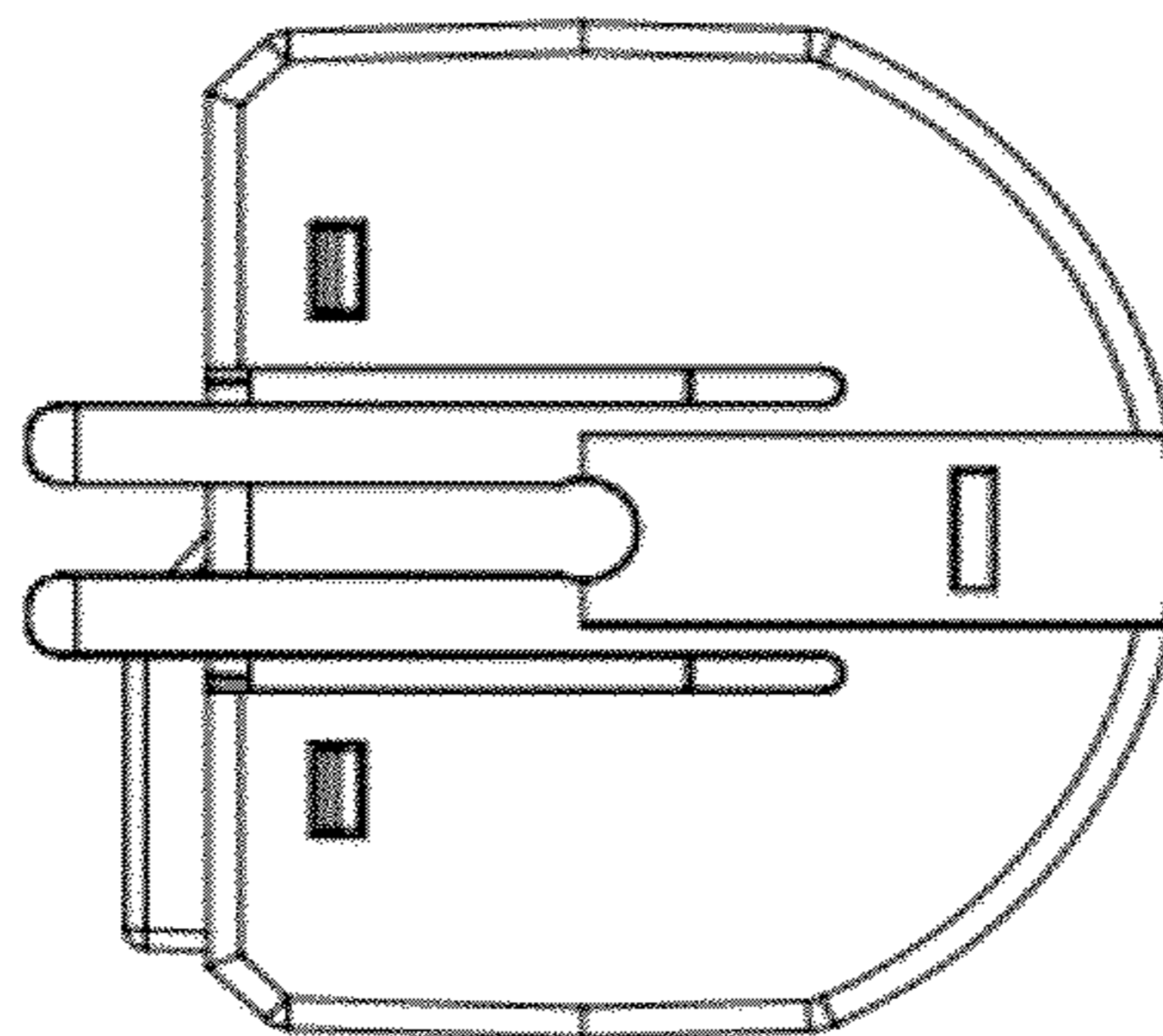


FIGURE-7

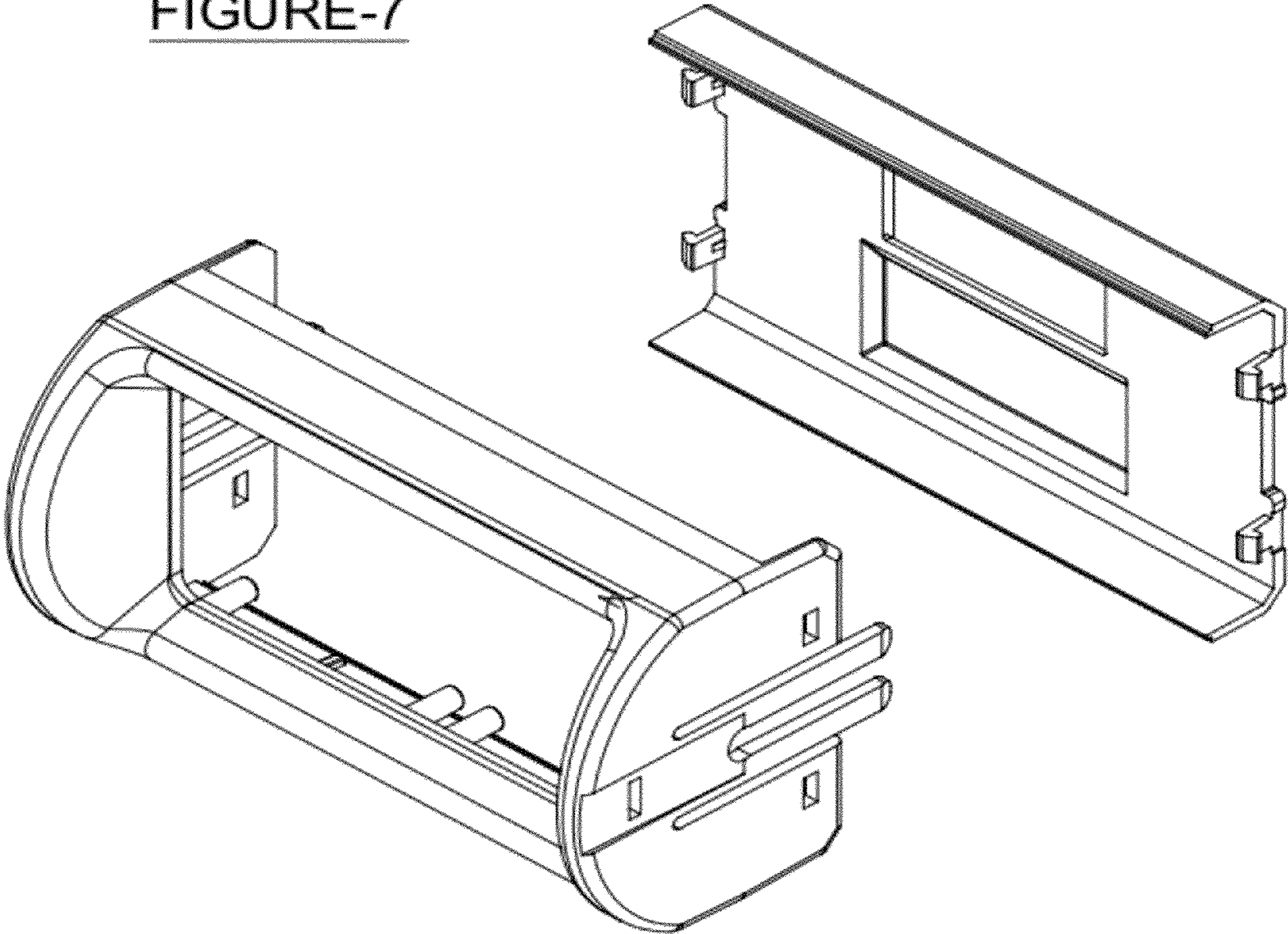


FIGURE-8

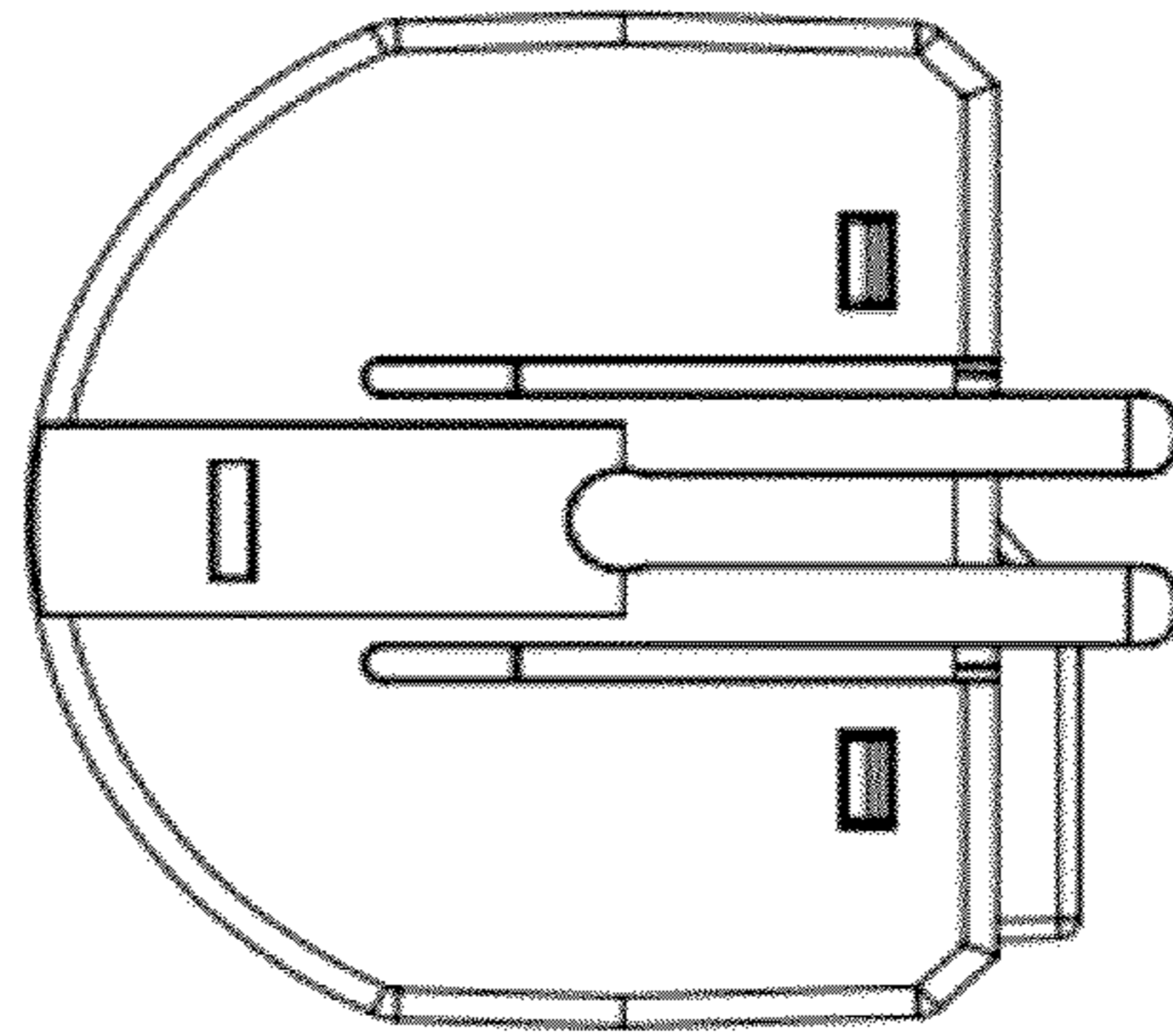


FIGURE-9

