



US00D663396S

(12) **United States Design Patent**  
**Plate et al.**

(10) **Patent No.:** **US D663,396 S**  
(45) **Date of Patent:** **\*\* Jul. 10, 2012**

(54) **TOILET SEAT**

(75) Inventors: **Eric Plate**, Plymouth, WI (US); **Erich D. Slothower**, Mill Valley, CA (US)

(73) Assignee: **Kohler Co.**, Kohler, WI (US)

(\*\*) Term: **14 Years**

(21) Appl. No.: **29/393,274**

(22) Filed: **Jun. 1, 2011**

(51) **LOC (9) Cl.** ..... **23-02**

(52) **U.S. Cl.** ..... **D23/311**

(58) **Field of Classification Search** ..... D23/303,  
D23/309, 311, 278, 312; 4/444, 234, 237,  
4/242.1, 902

See application file for complete search history.

(56) **References Cited**

U.S. PATENT DOCUMENTS

D262,486 S *	12/1981	Boyter .....	D23/311
D306,641 S *	3/1990	Kohler et al. ....	D23/311
D485,336 S *	1/2004	Delgado et al. ....	D23/311

\* cited by examiner

*Primary Examiner* — Robert Delehanty

(74) *Attorney, Agent, or Firm* — Foley & Lardner LLP.

(57) **CLAIM**

We claim the ornamental design for a toilet seat, as shown and described.

**DESCRIPTION**

FIG. 1 is a top rear perspective view of an embodiment of the claimed design;

FIG. 2 is a top front perspective view of the claimed design of FIG. 1;

FIG. 3 is a bottom front perspective view of the claimed design of FIG. 1;

FIG. 4 is a top plan view of the claimed design of FIG. 1;

FIG. 5 is a bottom plan view of the claimed design of FIG. 1;

FIG. 6 is a right-side elevation view of the claimed design of FIG. 1;

FIG. 7 is a left-side elevation view of the claimed design of FIG. 1;

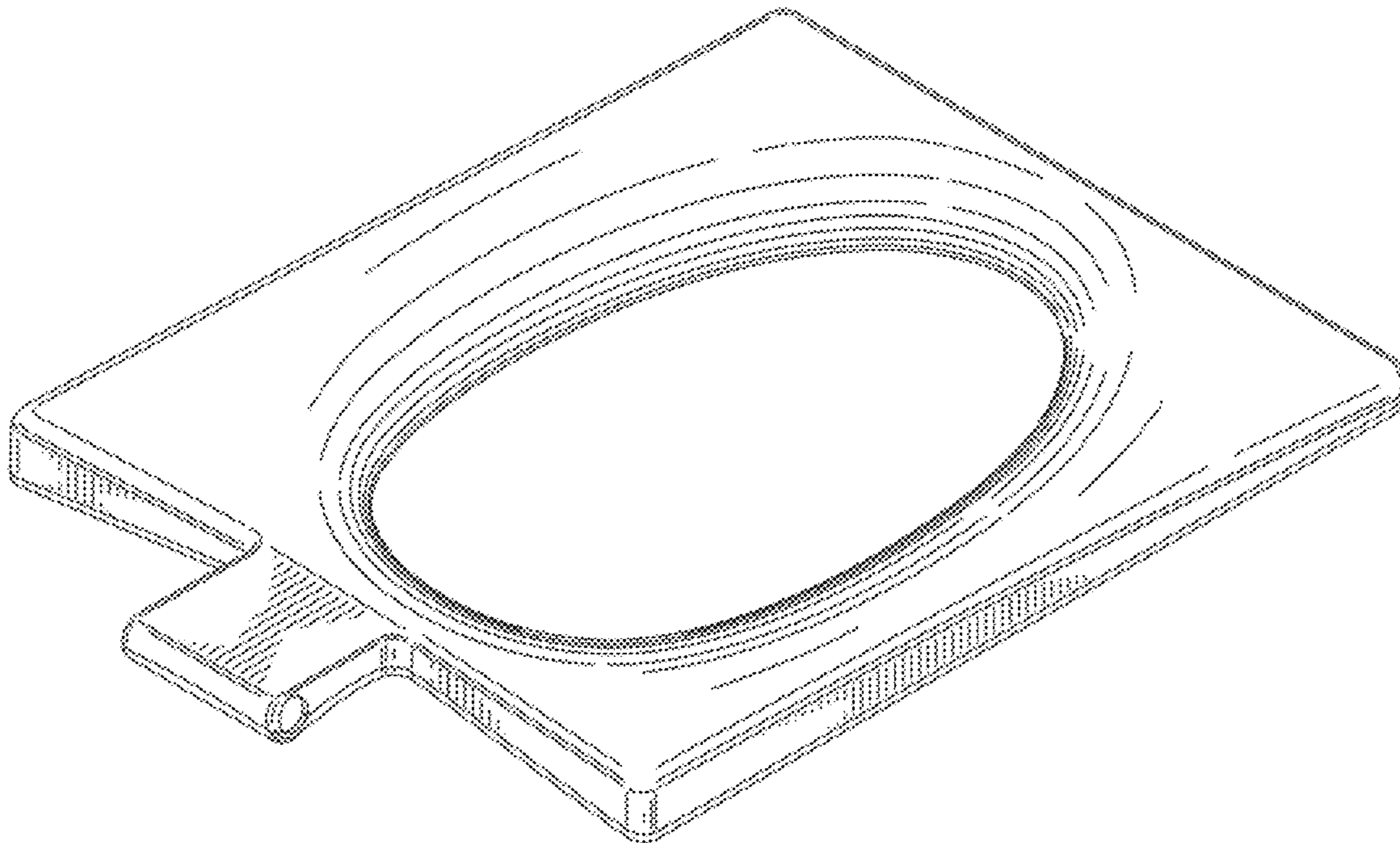
FIG. 8 is a front elevation view of the claimed design of FIG. 1;

FIG. 9 is a rear elevation view of the claimed design of FIG. 1; and,

FIG. 10 is a cross-sectional view of the claimed design of FIG. 1 taken through a line 10-10 in FIG. 4.

The ornamental design which is claimed is shown in solid lines in the drawings. The broken lines in the drawings are for illustrative purposes only and form no part of the claimed design.

**1 Claim, 7 Drawing Sheets**



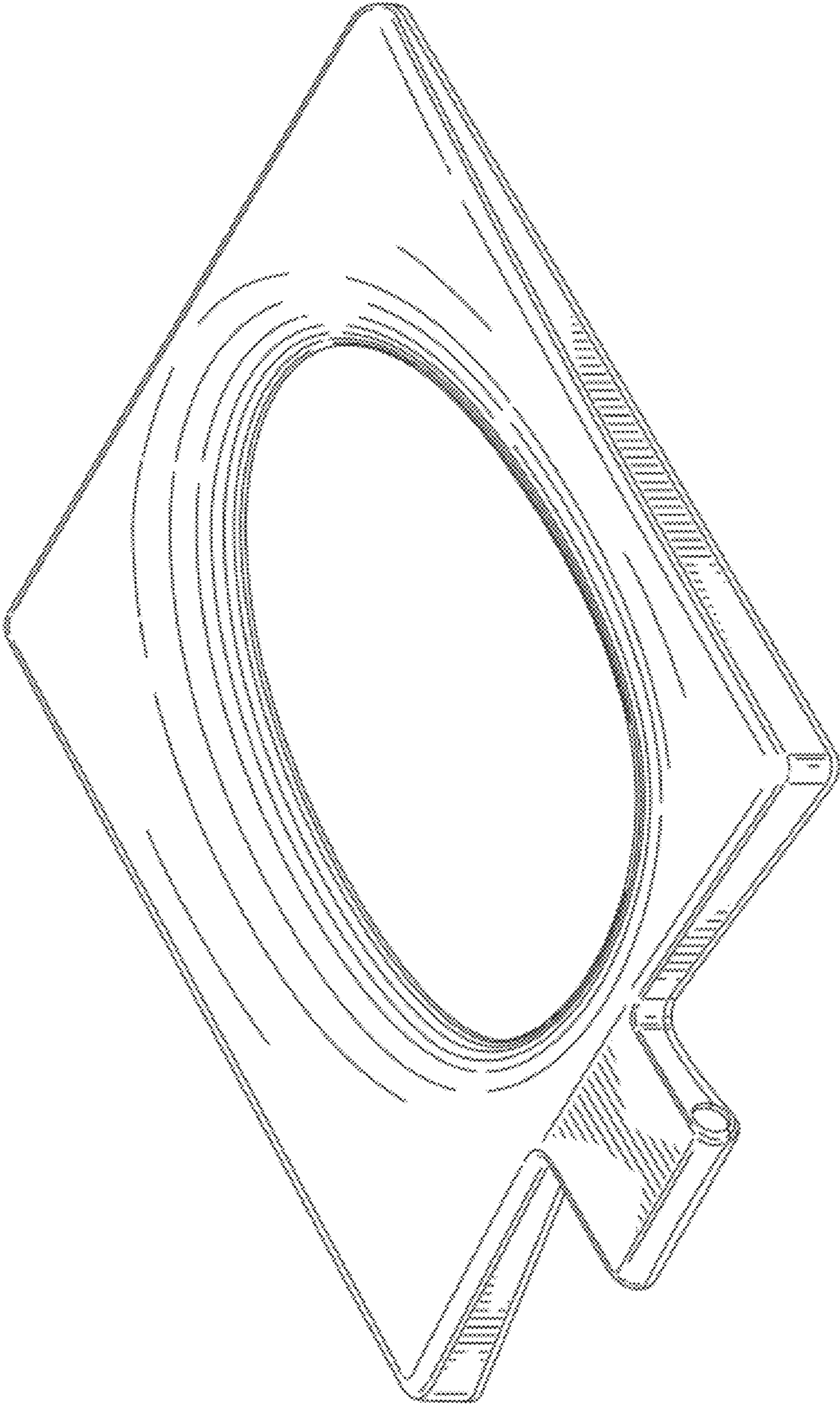


FIG. 1

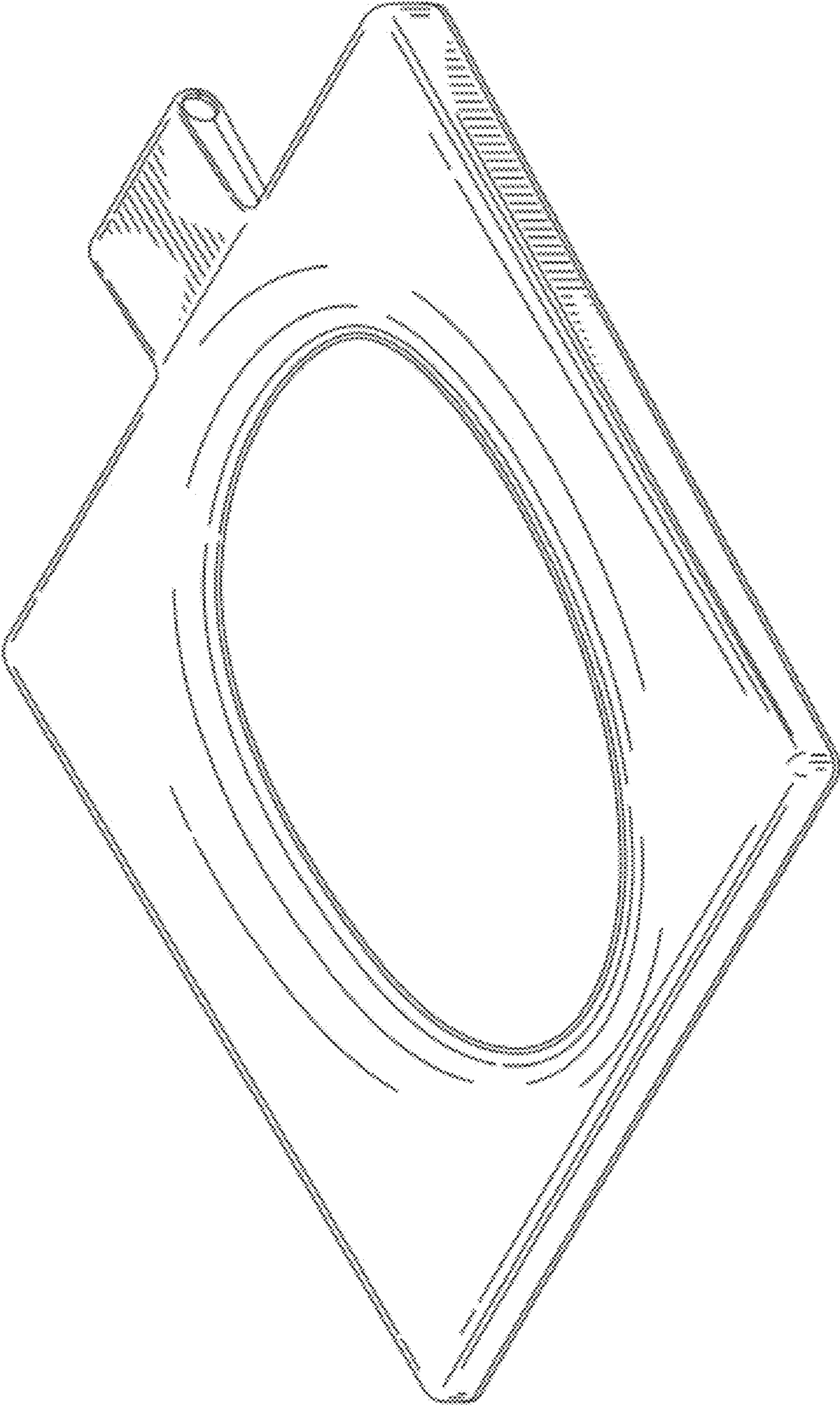


FIG. 2

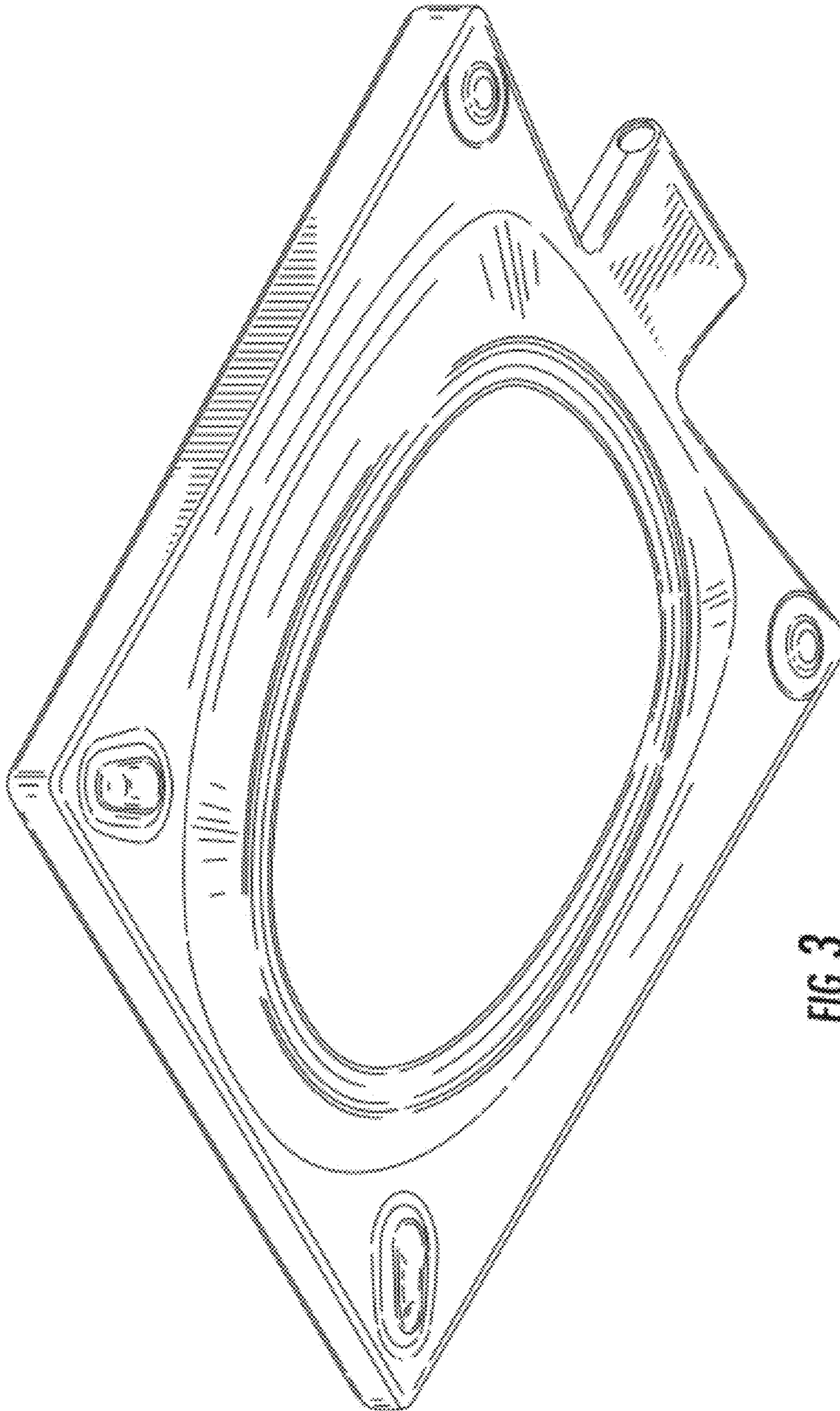


FIG. 3

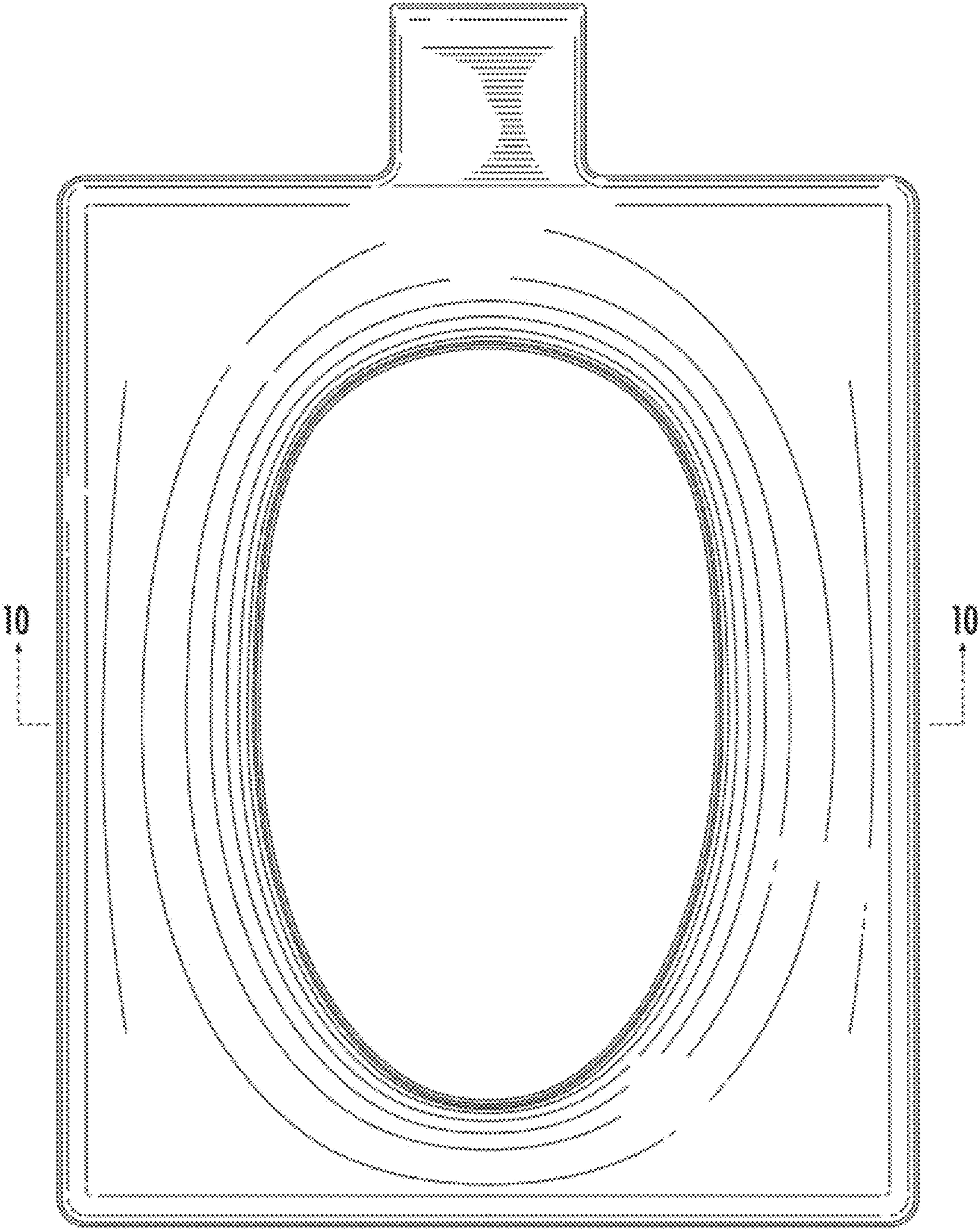


FIG. 4

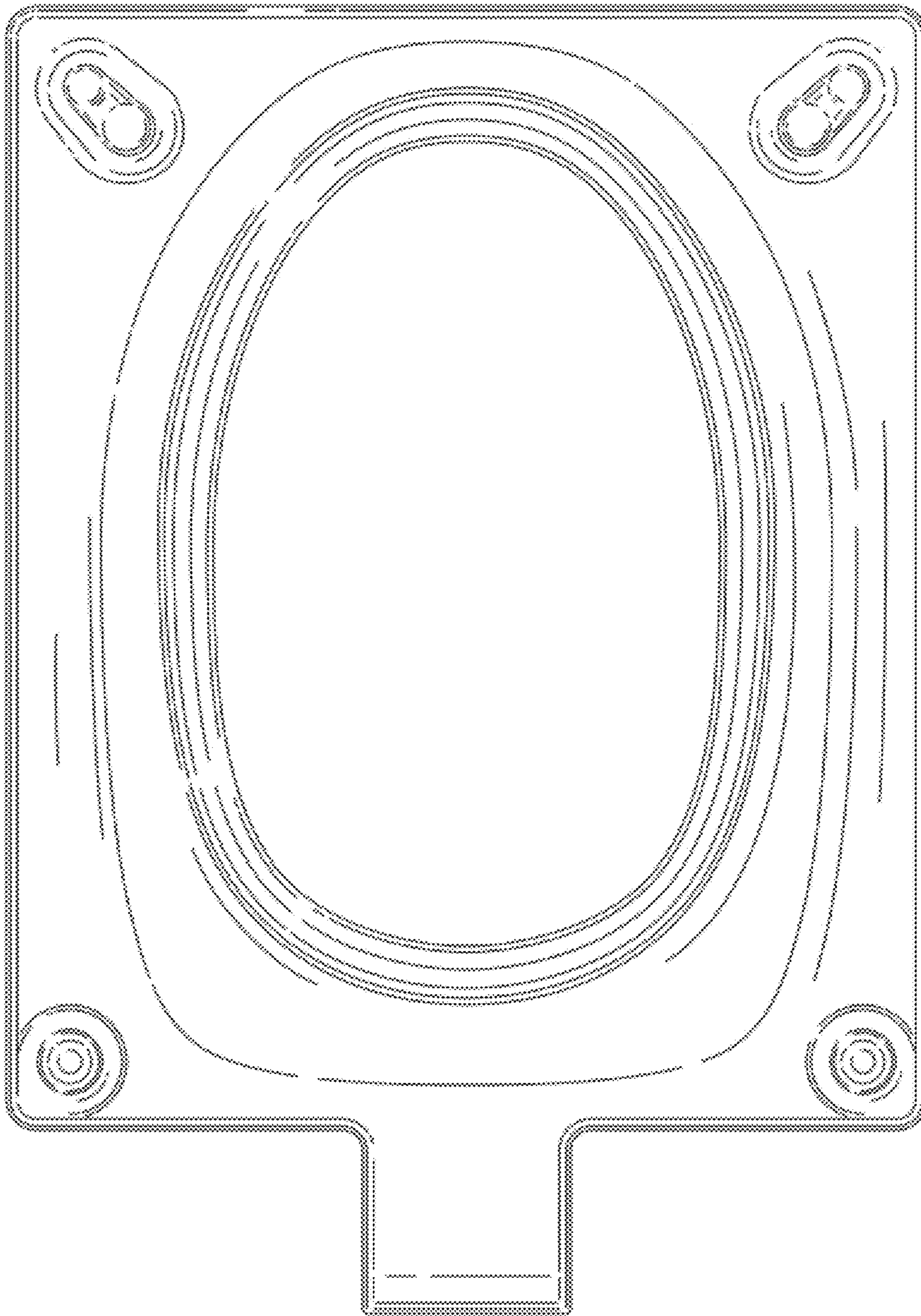


FIG. 5

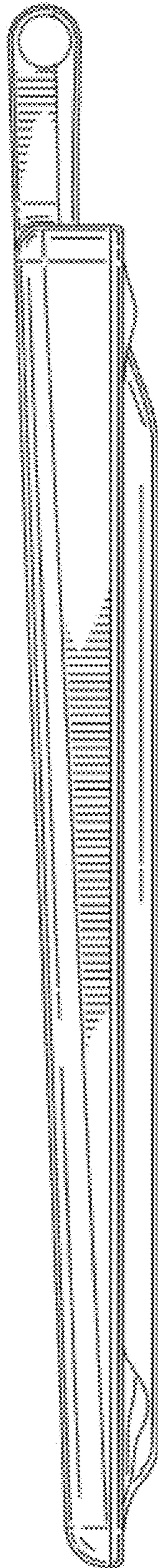


FIG. 6

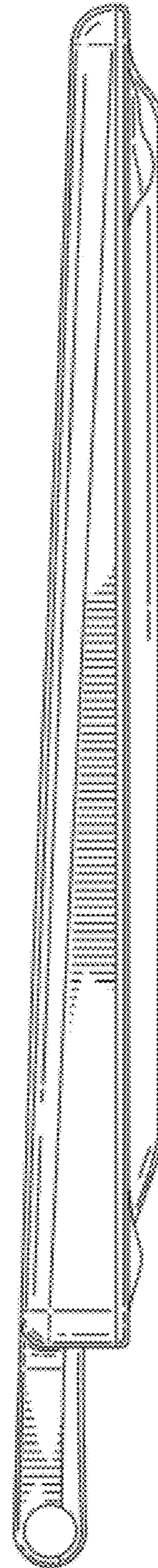


FIG. 7

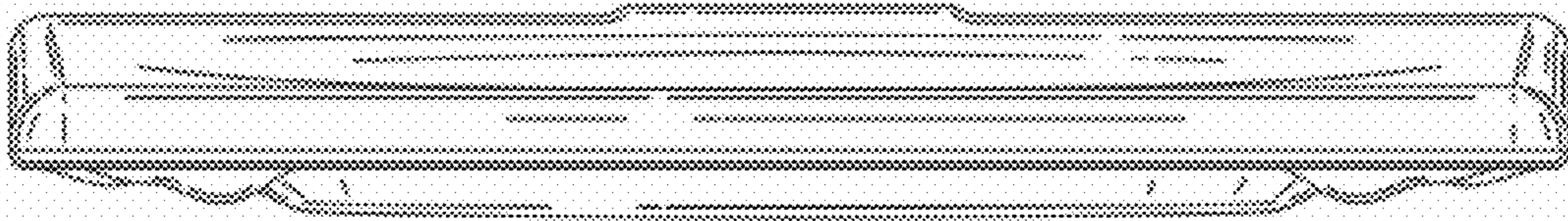


FIG. 8

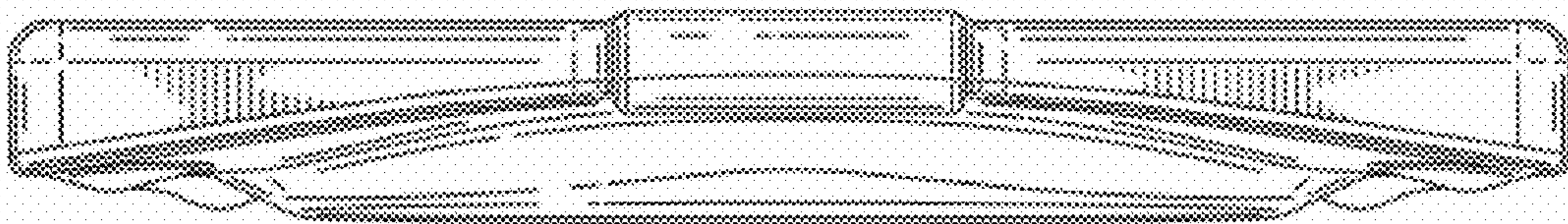


FIG. 9

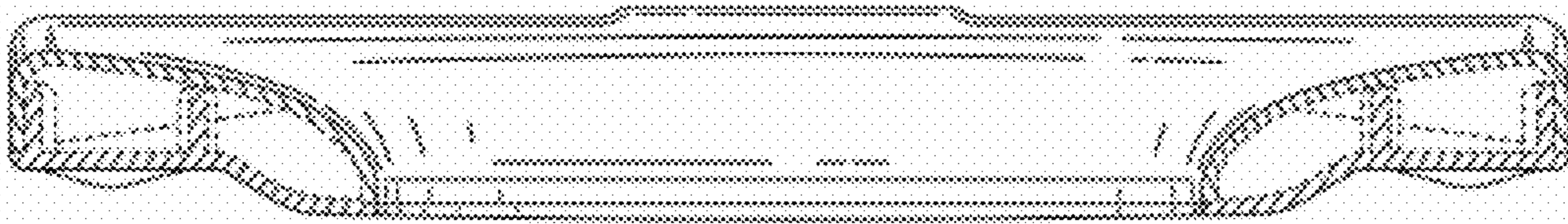


FIG. 10