



US00D663393S

(12) **United States Design Patent**
Vanderheyden et al.

(10) **Patent No.:** **US D663,393 S**
(45) **Date of Patent:** **** Jul. 10, 2012**

(54) **LAVATORY**

(75) Inventors: **Jacob P. Vanderheyden**, Sheboygan, WI (US); **Nicholas Paterson**, Whitefish Bay, WI (US)

(73) Assignee: **Kohler Co.**, Kohler, WI (US)

(**) Term: **14 Years**

(21) Appl. No.: **29/413,015**

(22) Filed: **Feb. 9, 2012**

Related U.S. Application Data

(62) Division of application No. 29/385,779, filed on Feb. 18, 2011, now Pat. No. Des. 655,799.

(51) **LOC (9) Cl.** **23-01**

(52) **U.S. Cl.** **D23/308**

(58) **Field of Classification Search** D23/284, D23/292, 293.1, 303, 308; 4/619, 643
See application file for complete search history.

(56) **References Cited**

U.S. PATENT DOCUMENTS

D407,470 S *	3/1999	McKeone	D23/292
D500,843 S *	1/2005	Takou	D23/292
D542,893 S *	5/2007	Dolan	D23/292
D543,262 S *	5/2007	Dolan	D23/292

D588,245 S *	3/2009	Kohler et al.	D23/293.1
D612,025 S	3/2010	Tanus		
D622,825 S	8/2010	LeTourneau et al.		
D636,855 S	4/2011	Thomas		

* cited by examiner

Primary Examiner — Robert Delehanty

(74) *Attorney, Agent, or Firm* — Foley & Lardner LLP

(57) **CLAIM**

We claim the ornamental design for a lavatory, as shown and described.

DESCRIPTION

FIG. 1 is a top perspective view of an embodiment of the claimed design;

FIG. 2 is a front elevation view of the claimed design of FIG. 1;

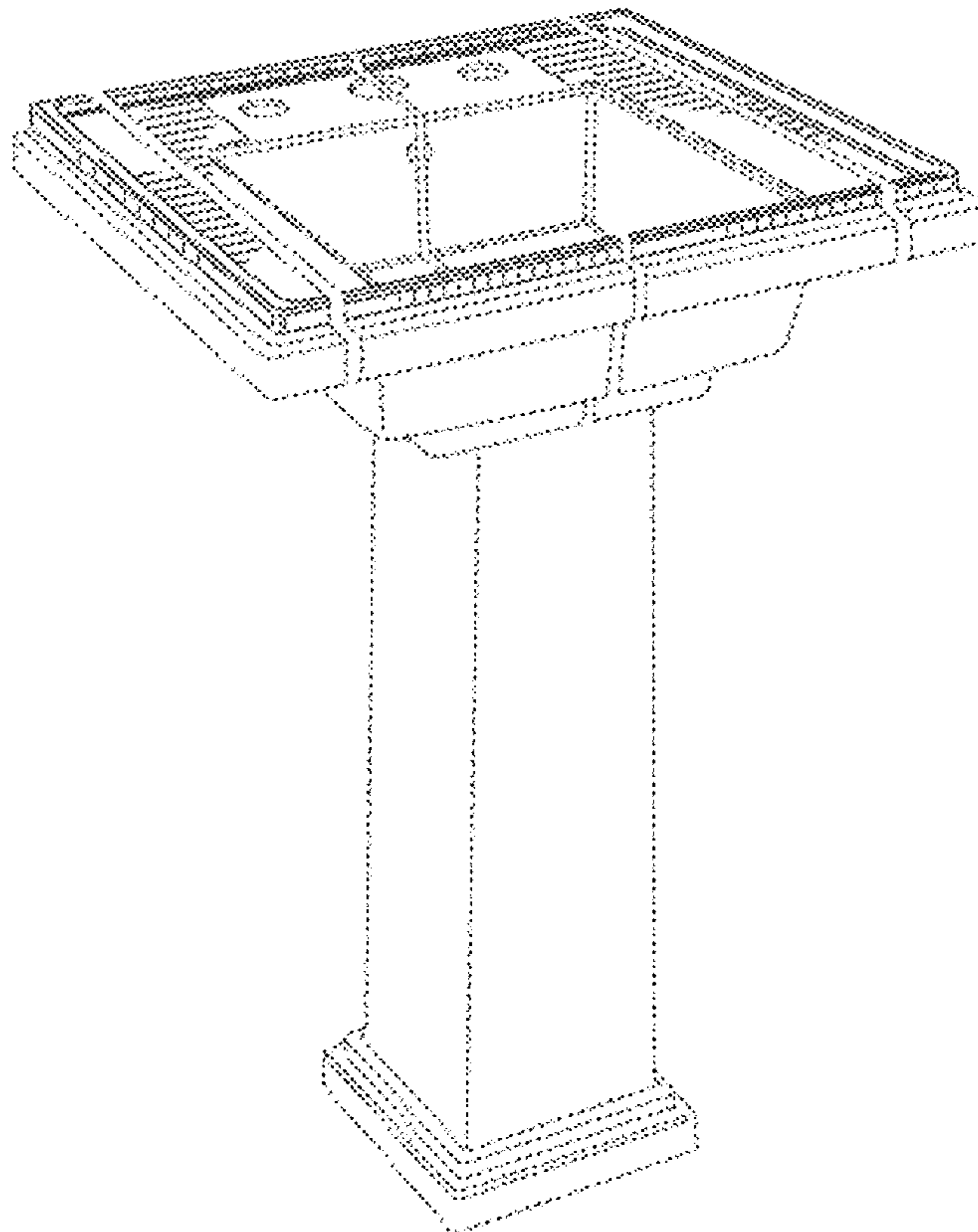
FIG. 3 is a rear elevation view of the claimed design of FIG. 1;

FIG. 4 is a right-side elevation view of the claimed design of FIG. 1;

FIG. 5 is a top plan view of the claimed design of FIG. 1; and,

FIG. 6 is a bottom plan view of the claimed design of FIG. 1. The ornamental design which is claimed is shown in solid lines in the drawings. The broken lines in the drawings are for illustrative purposes only and form no part of the claimed design.

1 Claim, 5 Drawing Sheets



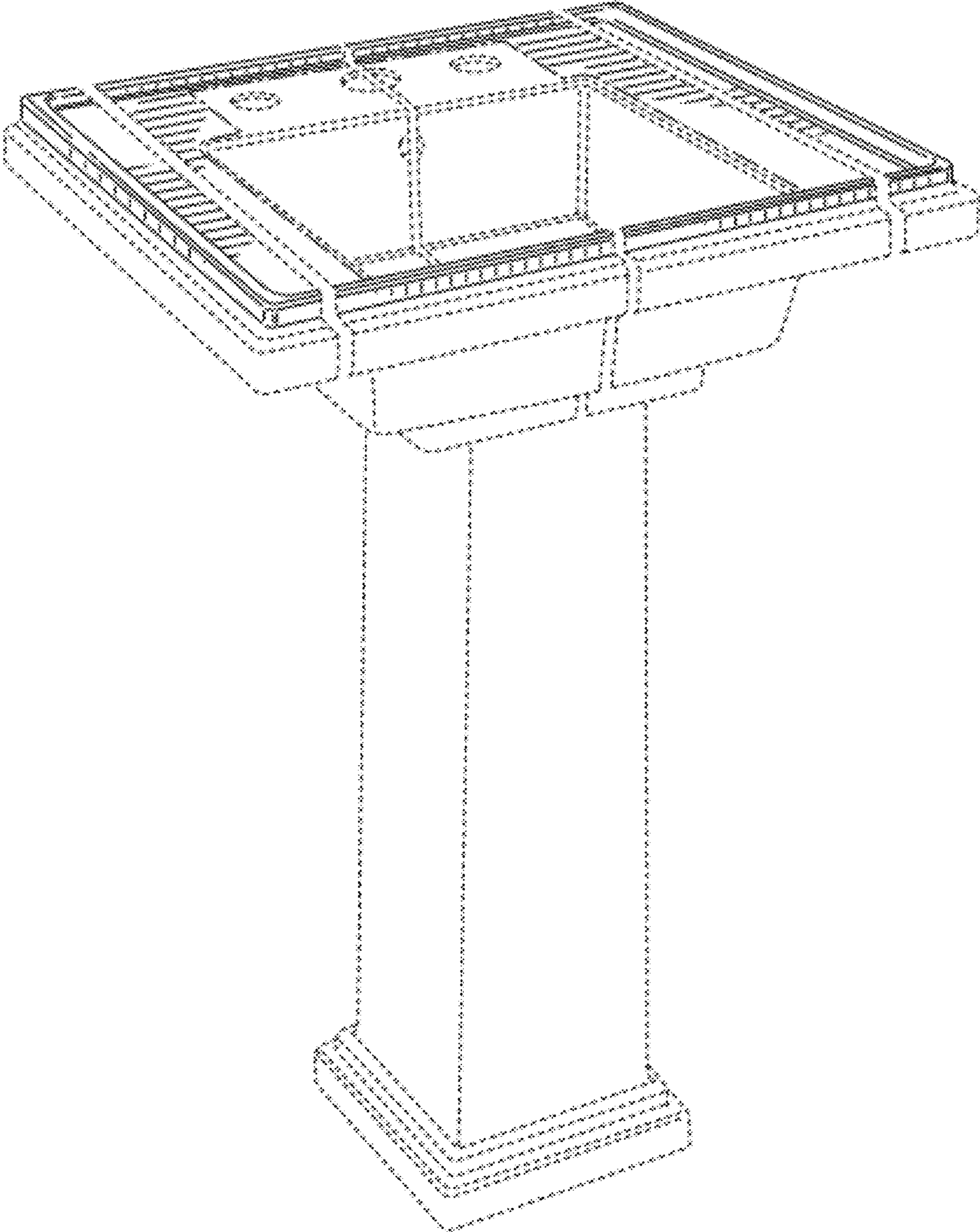


FIG. 1

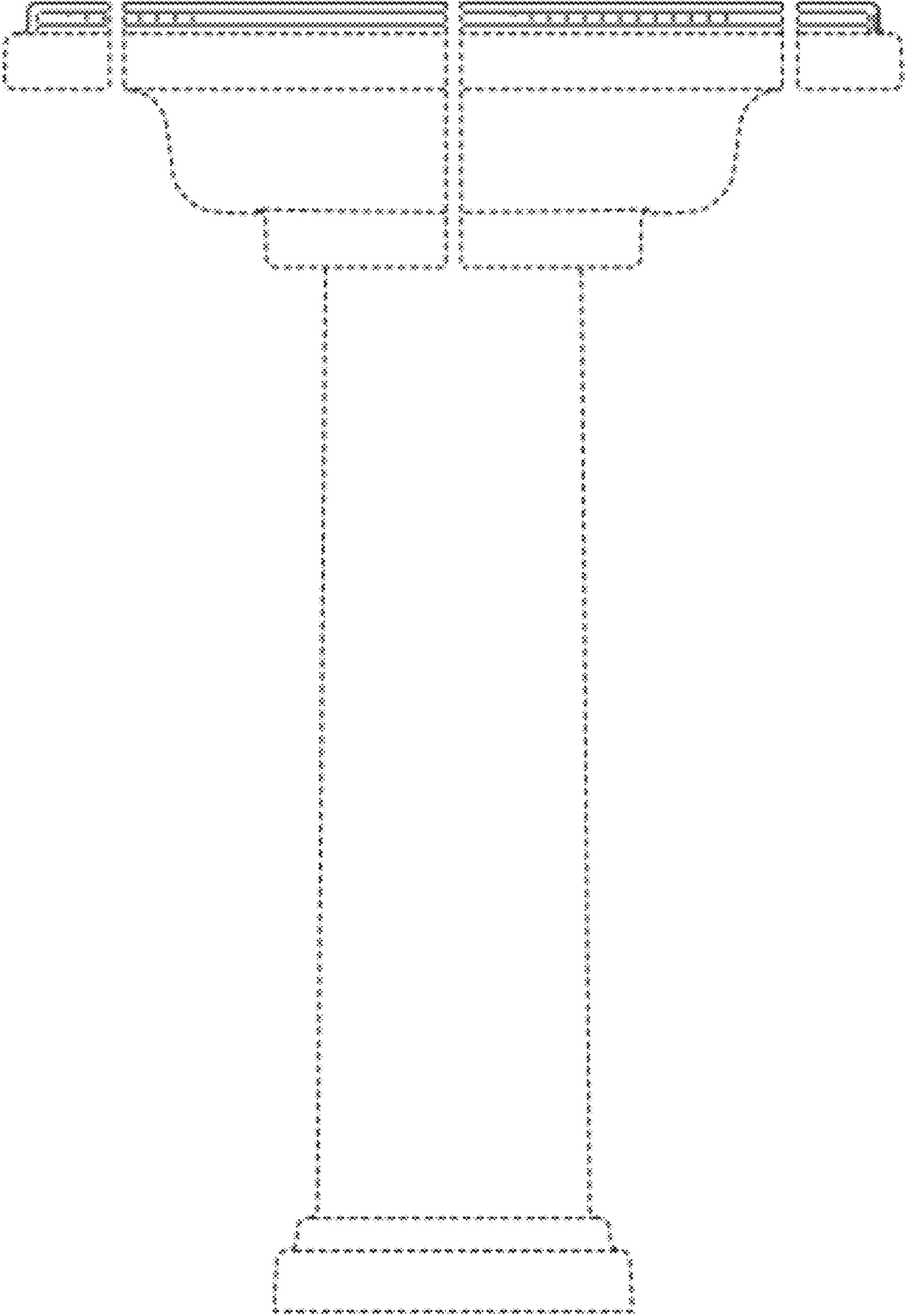


FIG. 2

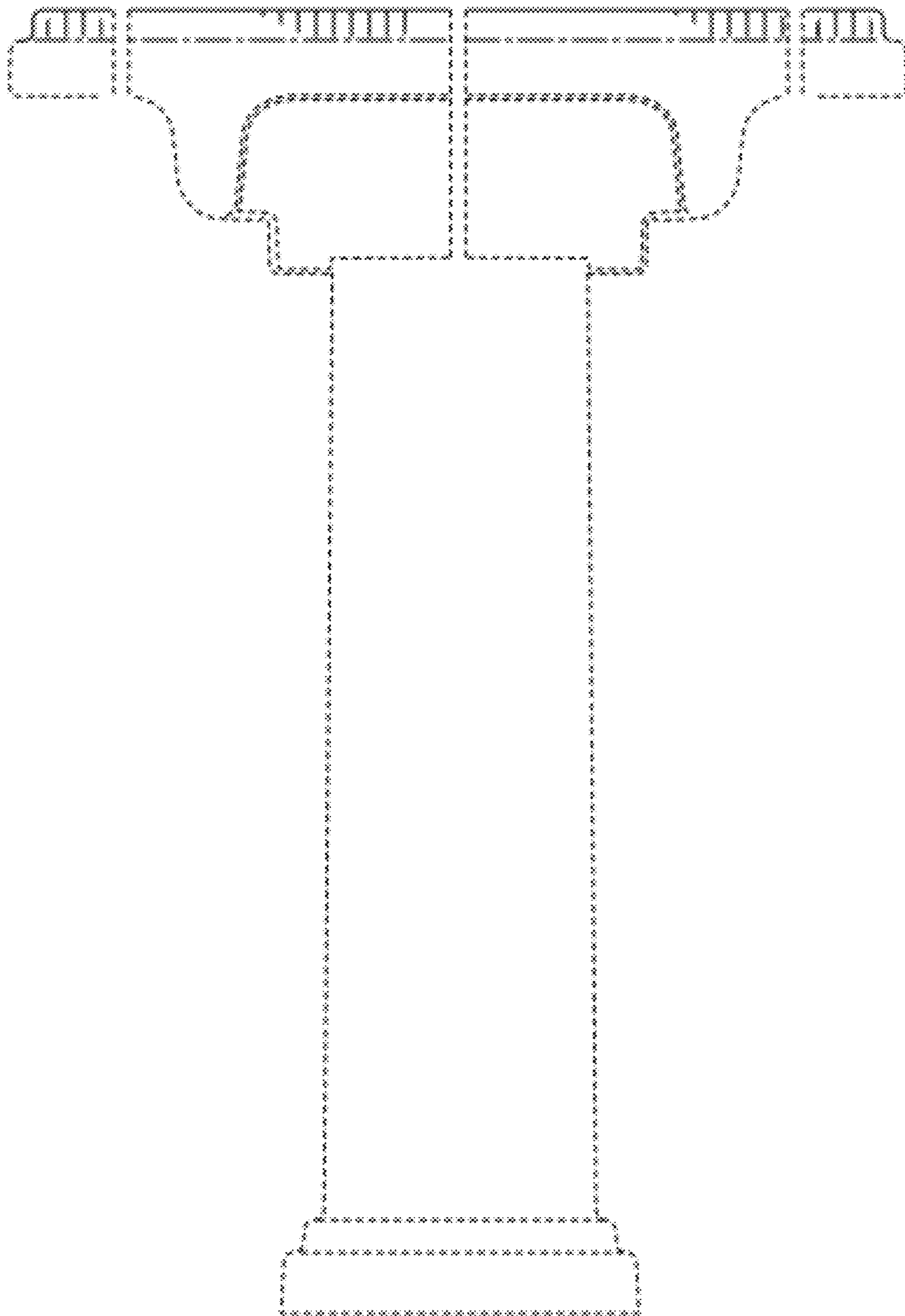


FIG. 3

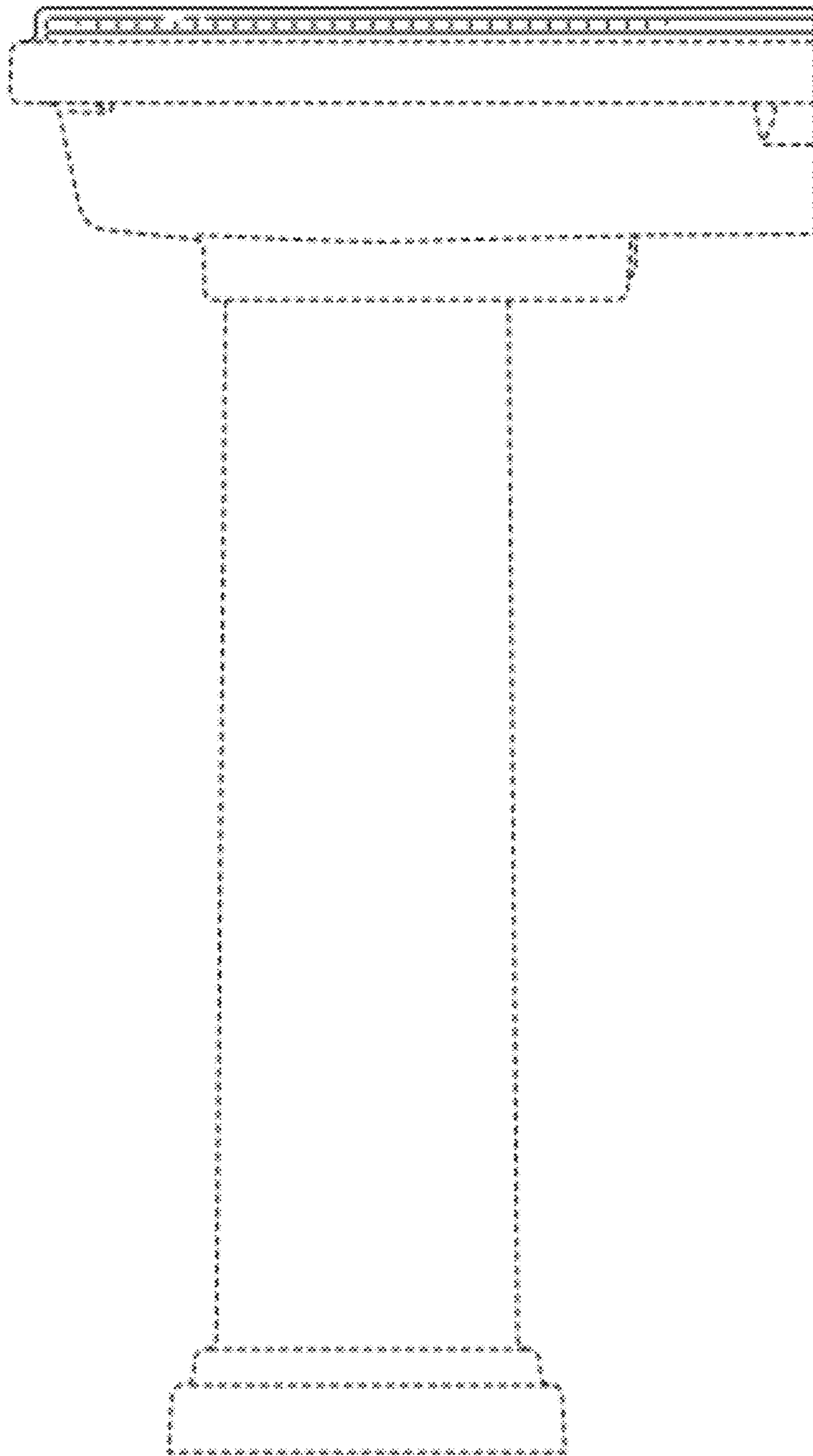


FIG. 4

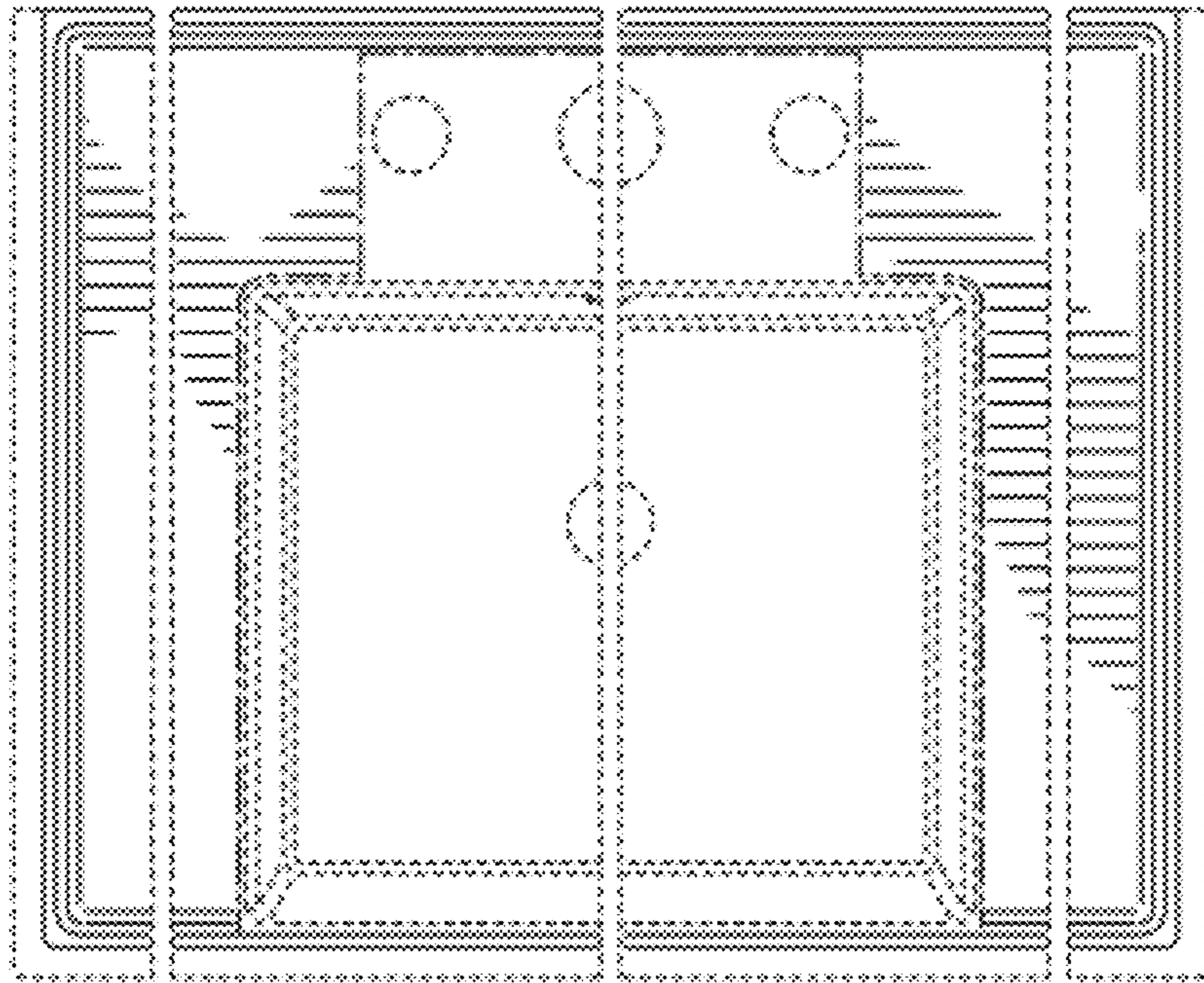


FIG. 5

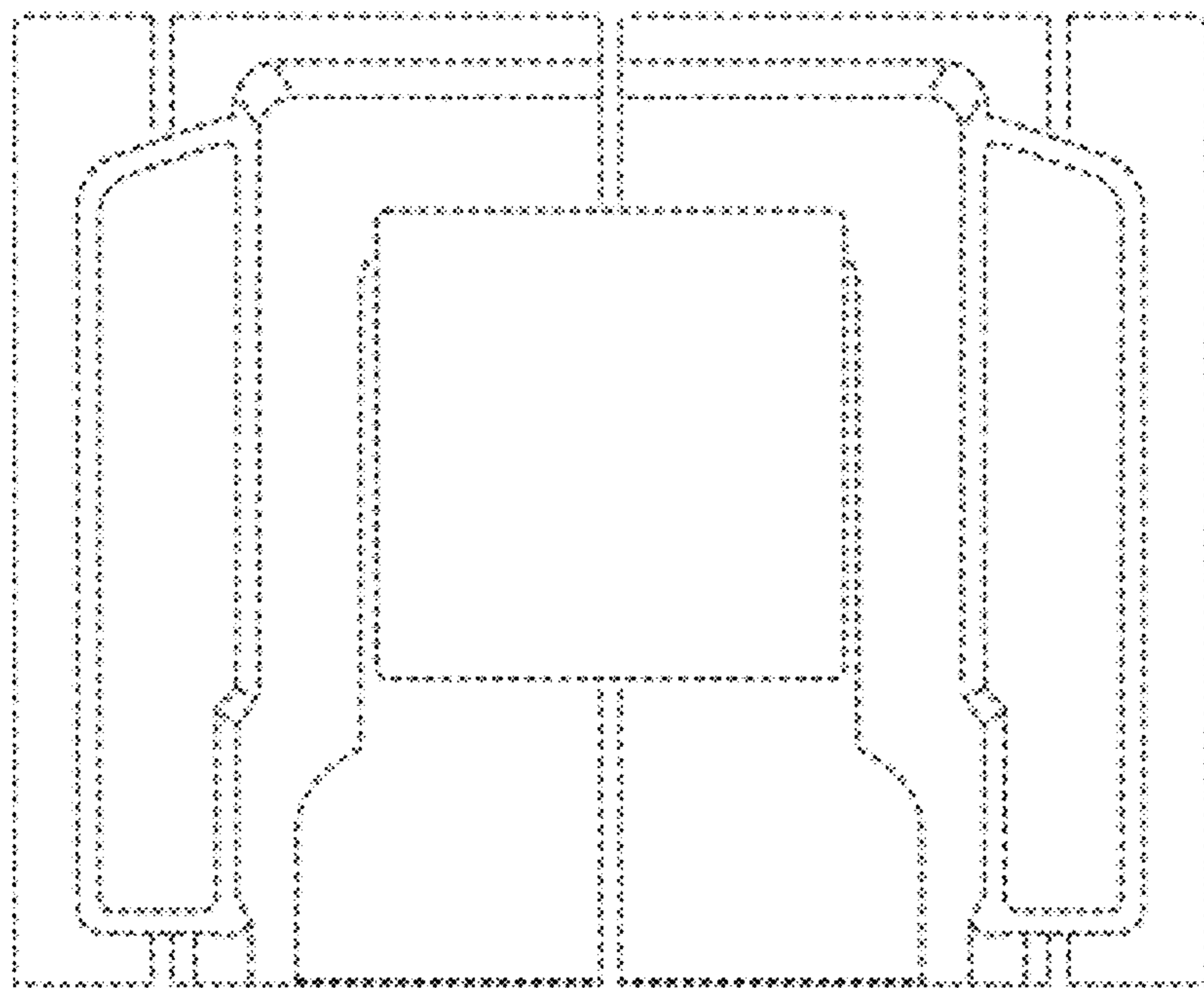


FIG. 6