



US00D663389S

(12) **United States Design Patent**
Miller et al.

(10) **Patent No.:** **US D663,389 S**

(45) **Date of Patent:** **** Jul. 10, 2012**

(54) **SINK**

(75) Inventors: **Jason Miller**, Sheboygan Falls, WI (US); **Terrence K. Mahon**, Whitefish Bay, WI (US); **Shawn J. Booth**, Sheboygan, WI (US); **Peter Tabeling**, Lakewood, OH (US)

(73) Assignee: **Kohler Co.**, Kohler, WI (US)

(**) Term: **14 Years**

(21) Appl. No.: **29/412,242**

(22) Filed: **Feb. 1, 2012**

Related U.S. Application Data

(62) Division of application No. 29/386,884, filed on Mar. 4, 2011, now Pat. No. Des. 655,798.

(51) **LOC (9) Cl.** **23-02**

(52) **U.S. Cl.** **D23/293.1**

(58) **Field of Classification Search** D23/284, D23/290-292, 293.1, 303, 308; 4/619, 639-640

See application file for complete search history.

(56) **References Cited**

U.S. PATENT DOCUMENTS

D353,652 S 12/1994 Dannenberg

(Continued)

OTHER PUBLICATIONS

Rachiele; "Patented copper apron front sink with channel;" http://www.rachiele.com/copper_apron_sinks-with-patent.asp; retrieval date: Nov. 30, 2011; 3 pages.

Primary Examiner — Robert Delehanty

(74) *Attorney, Agent, or Firm* — Foley & Lardner LLP

(57) **CLAIM**

We claim the ornamental design for a sink, as shown and described.

DESCRIPTION

FIG. 1 is a top perspective view of an embodiment of the claimed design;

FIG. 2 is a top plan view of the claimed design of FIG. 1;

FIG. 3 is a bottom plan view of the claimed design of FIG. 1;

FIG. 4 is a front view of the claimed design of FIG. 1;

FIG. 5 is a left-side view of the claimed design of FIG. 1;

FIG. 6 is a rear view of the claimed design of FIG. 1;

FIG. 7 is a cross-sectional view of FIG. 2;

FIG. 8 is another cross-sectional view of FIG. 2;

FIG. 9 is detailed bottom perspective view of the claimed design of FIG. 1;

FIG. 10 is a top perspective view of another embodiment of the claimed design;

FIG. 11 is a top plan view of the claimed design of FIG. 10;

FIG. 12 is a bottom plan view of the claimed design of FIG. 10;

FIG. 13 is a front view of the claimed design of FIG. 10;

FIG. 14 is a left-side view of the claimed design of FIG. 10;

FIG. 15 is a rear view of the claimed design of FIG. 10;

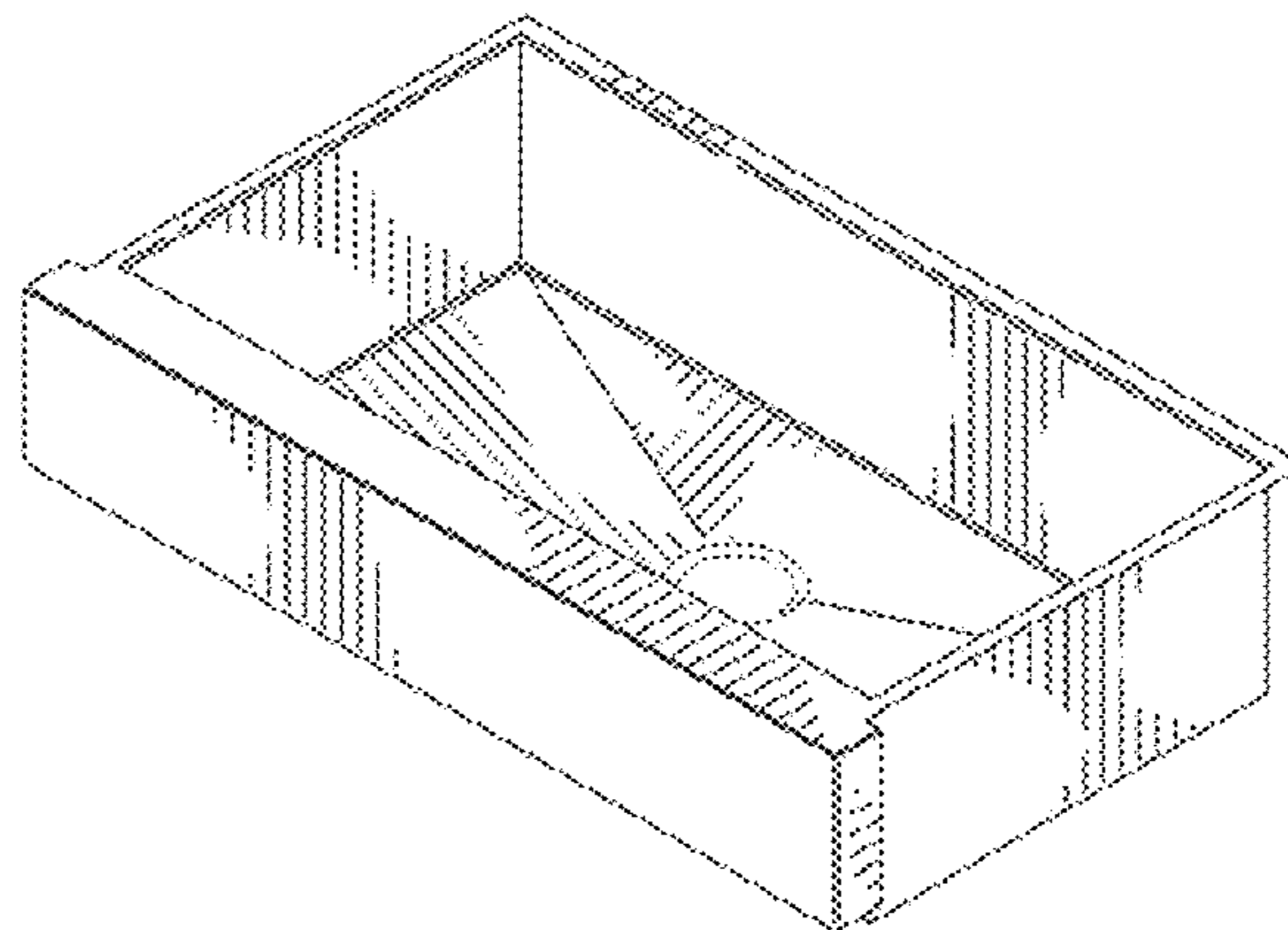
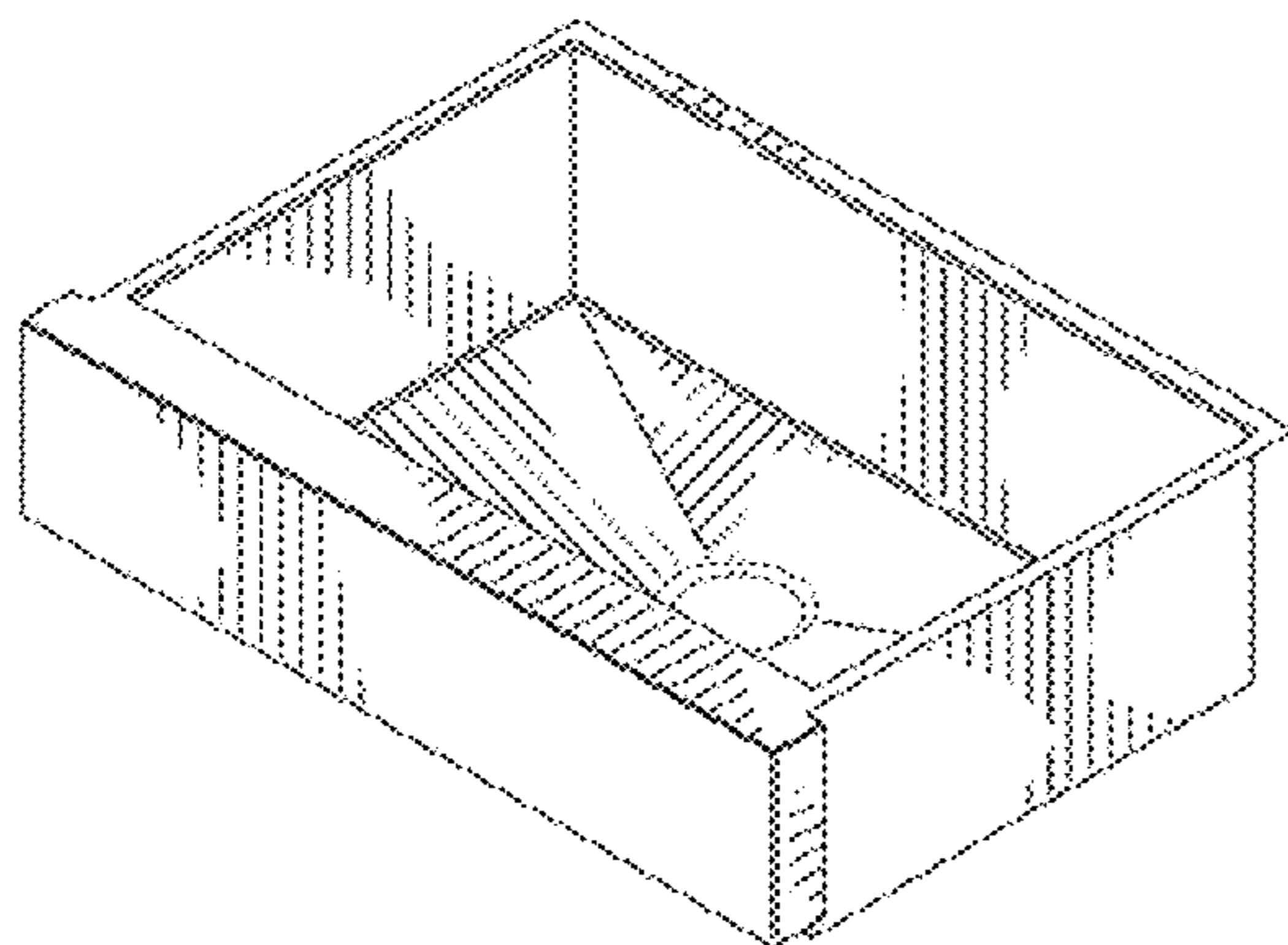
FIG. 16 is a cross-sectional view of FIG. 11;

FIG. 17 is another cross-sectional view of FIG. 11; and,

FIG. 18 is detailed bottom perspective view of the claimed design of FIG. 10.

The ornamental design which is claimed is shown in solid lines in the drawings. The broken lines in the drawings are for illustrative purposes only and form no part of the claimed design.

1 Claim, 12 Drawing Sheets



US D663,389 S

Page 2

U.S. PATENT DOCUMENTS

D484,956 S 1/2004 Rachiele
D492,983 S 7/2004 Rachiele
D498,291 S 11/2004 Bayer

D508,984 S 8/2005 Gordon
D527,808 S 9/2006 Wozniczka et al.
D546,929 S 7/2007 Schneider et al.
D585,126 S 1/2009 Eilmus et al.
D603,486 S 11/2009 Mayer et al.

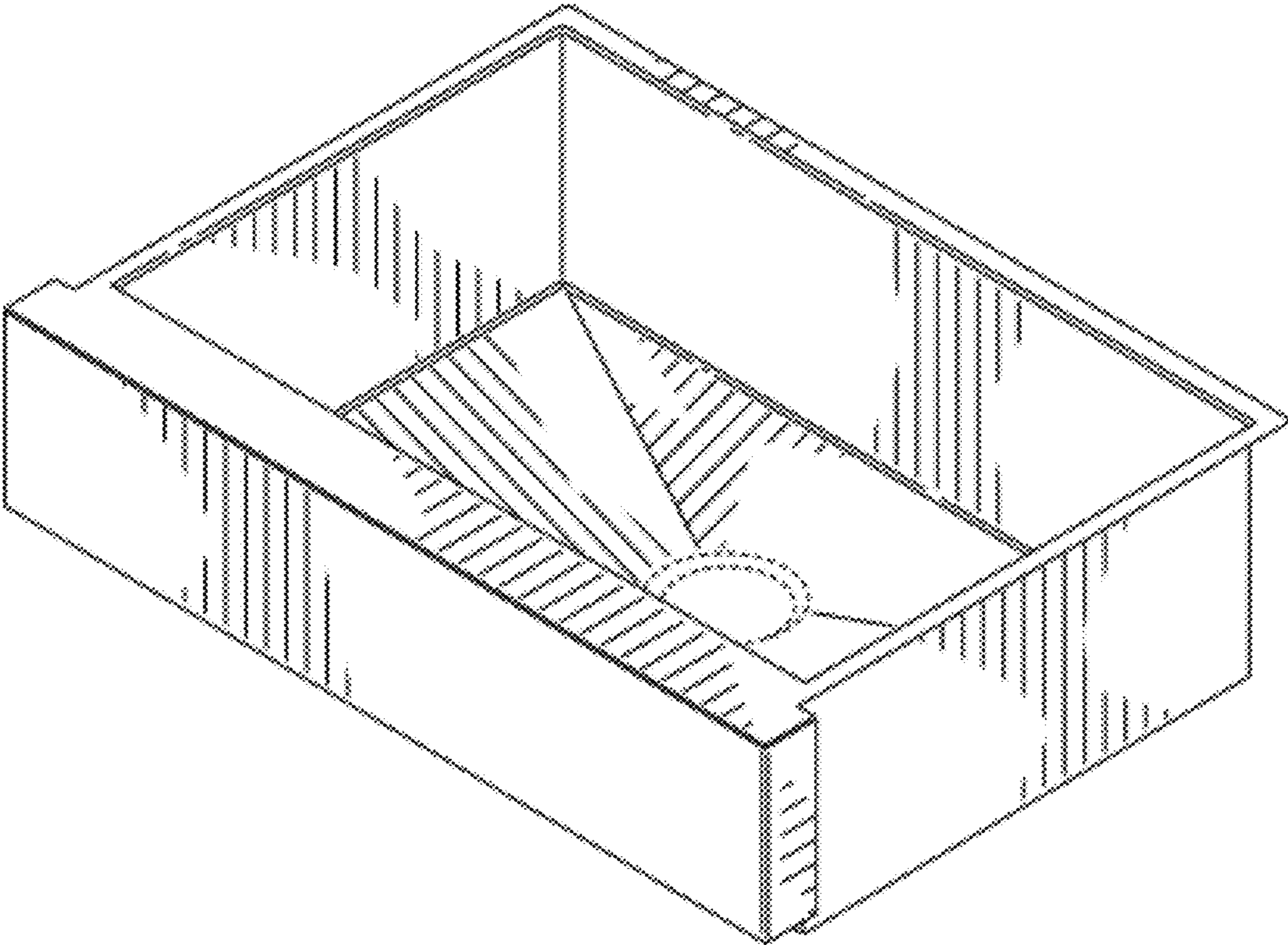


FIG. 1

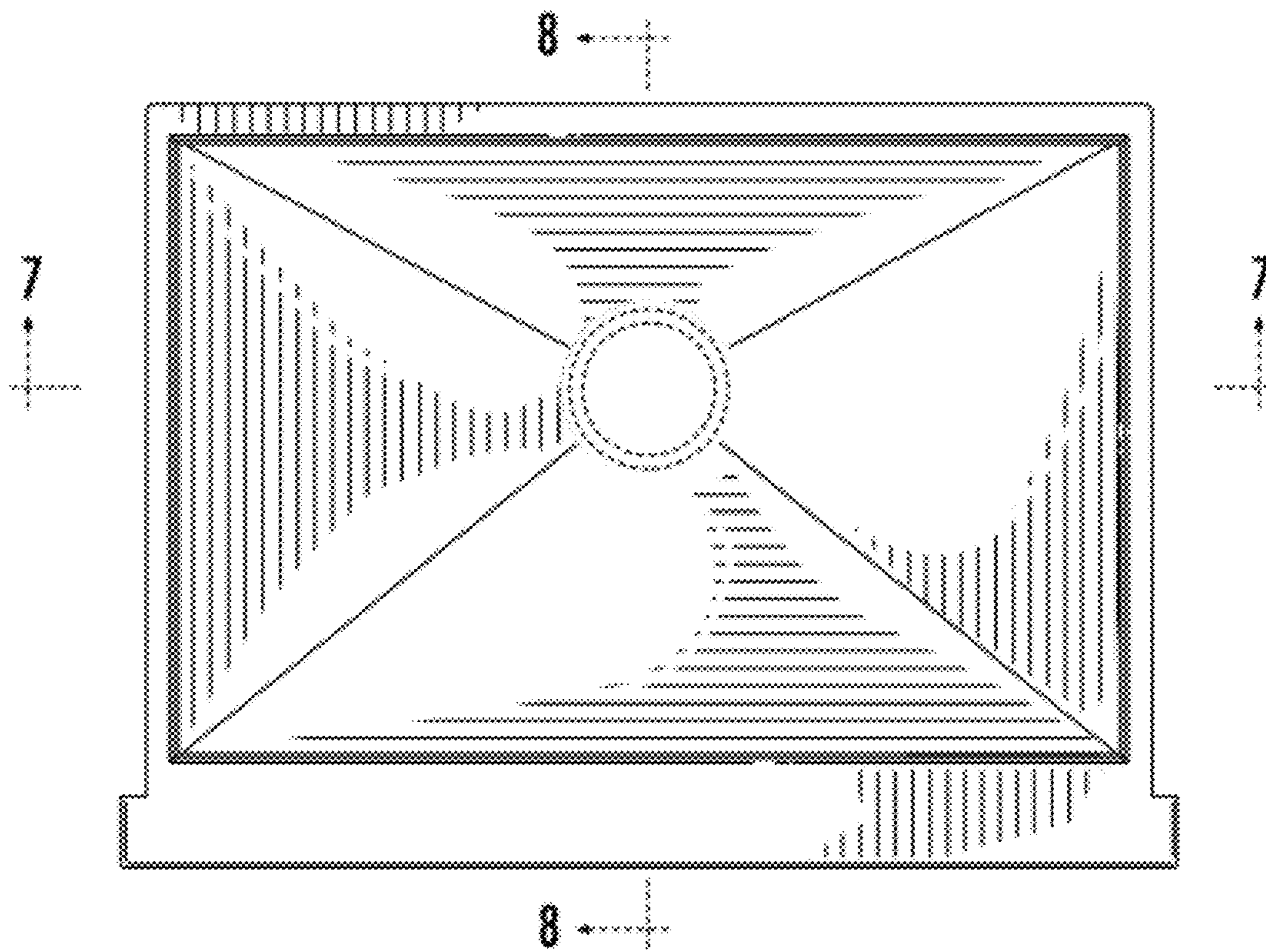


FIG. 2

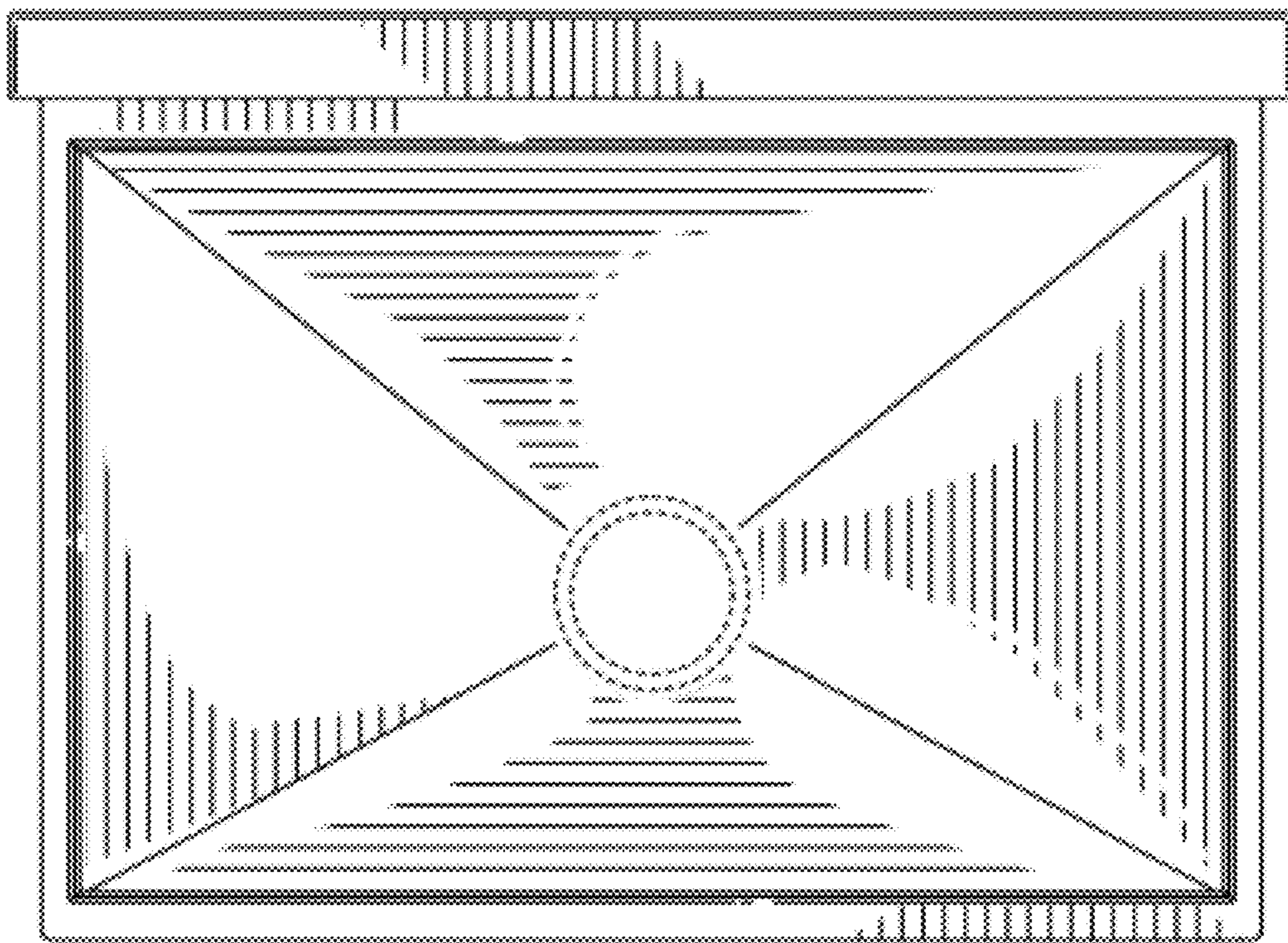


FIG. 3



FIG. 4

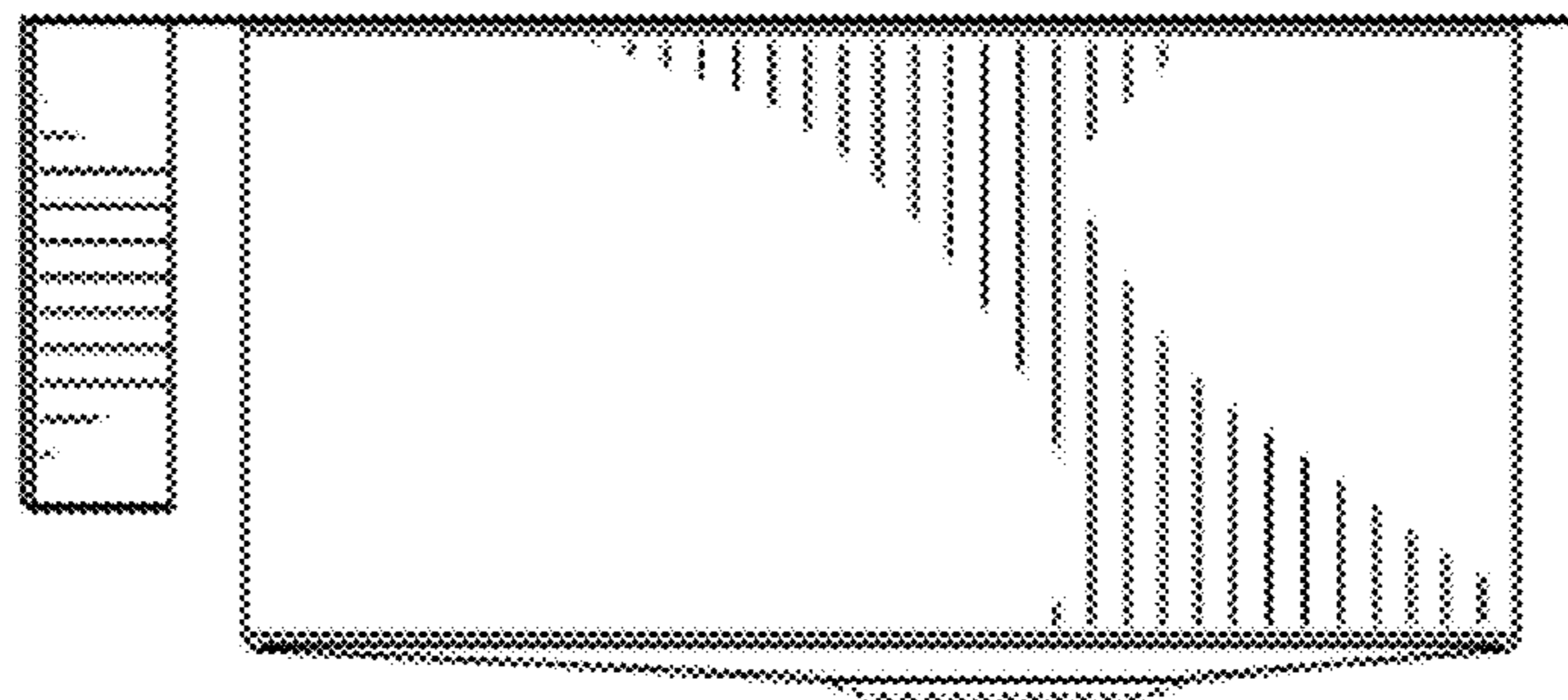


FIG. 5

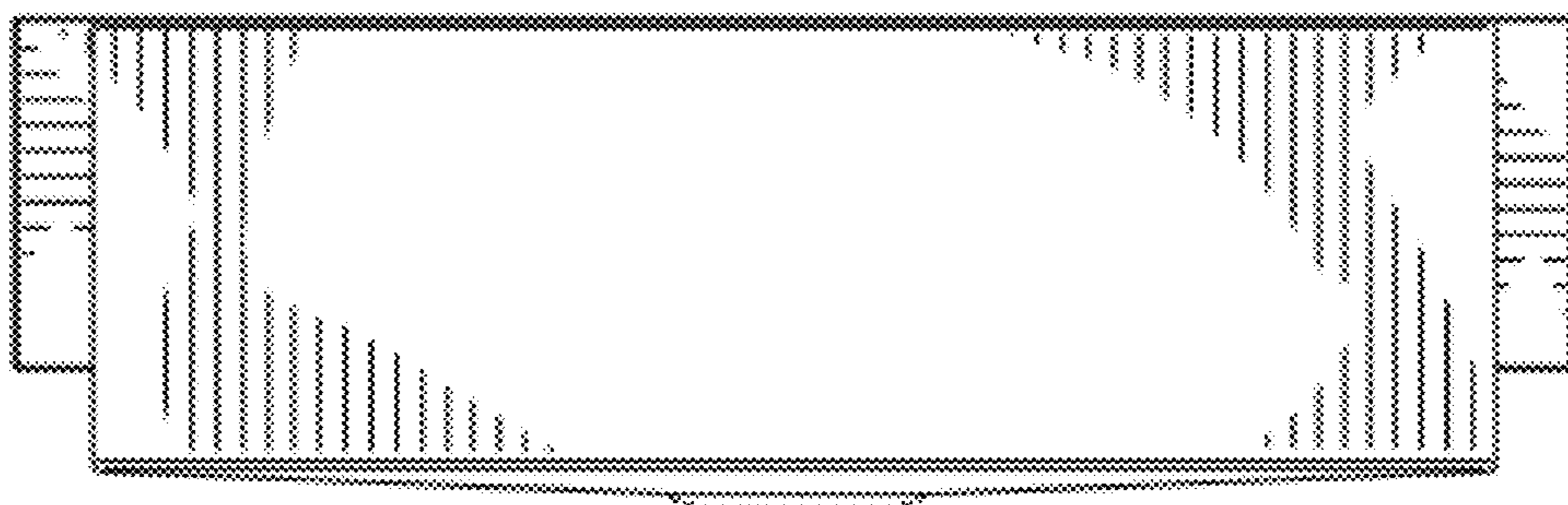


FIG. 6

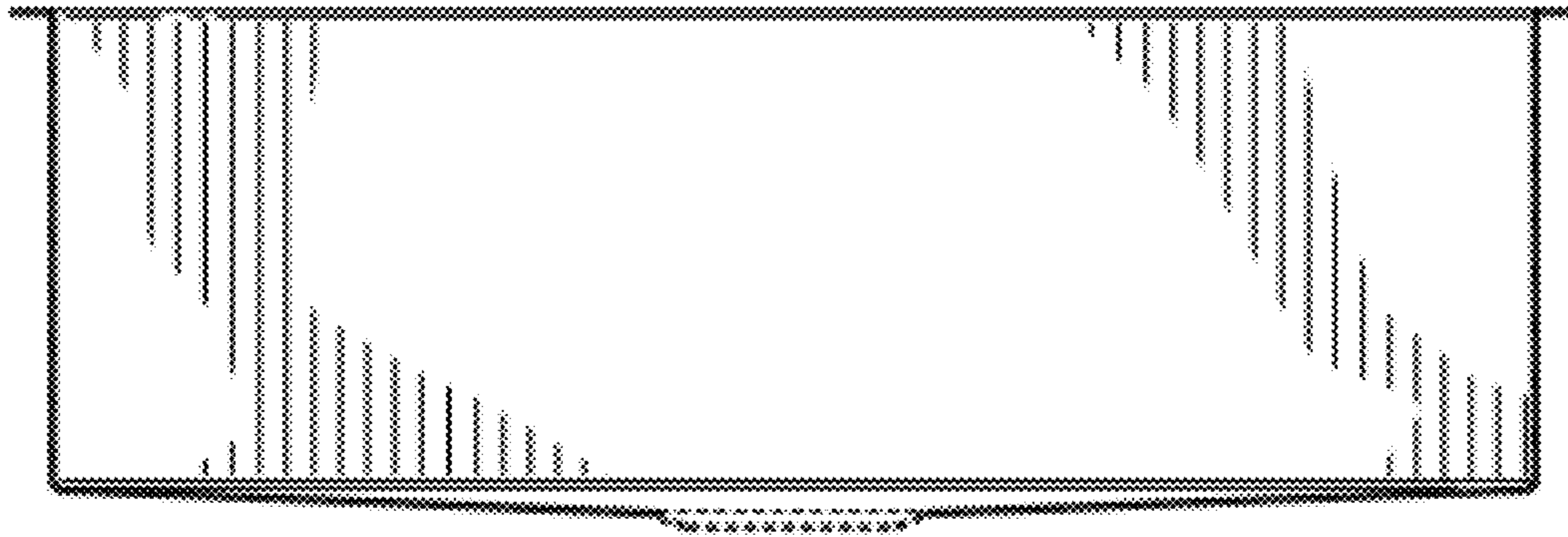


FIG. 7

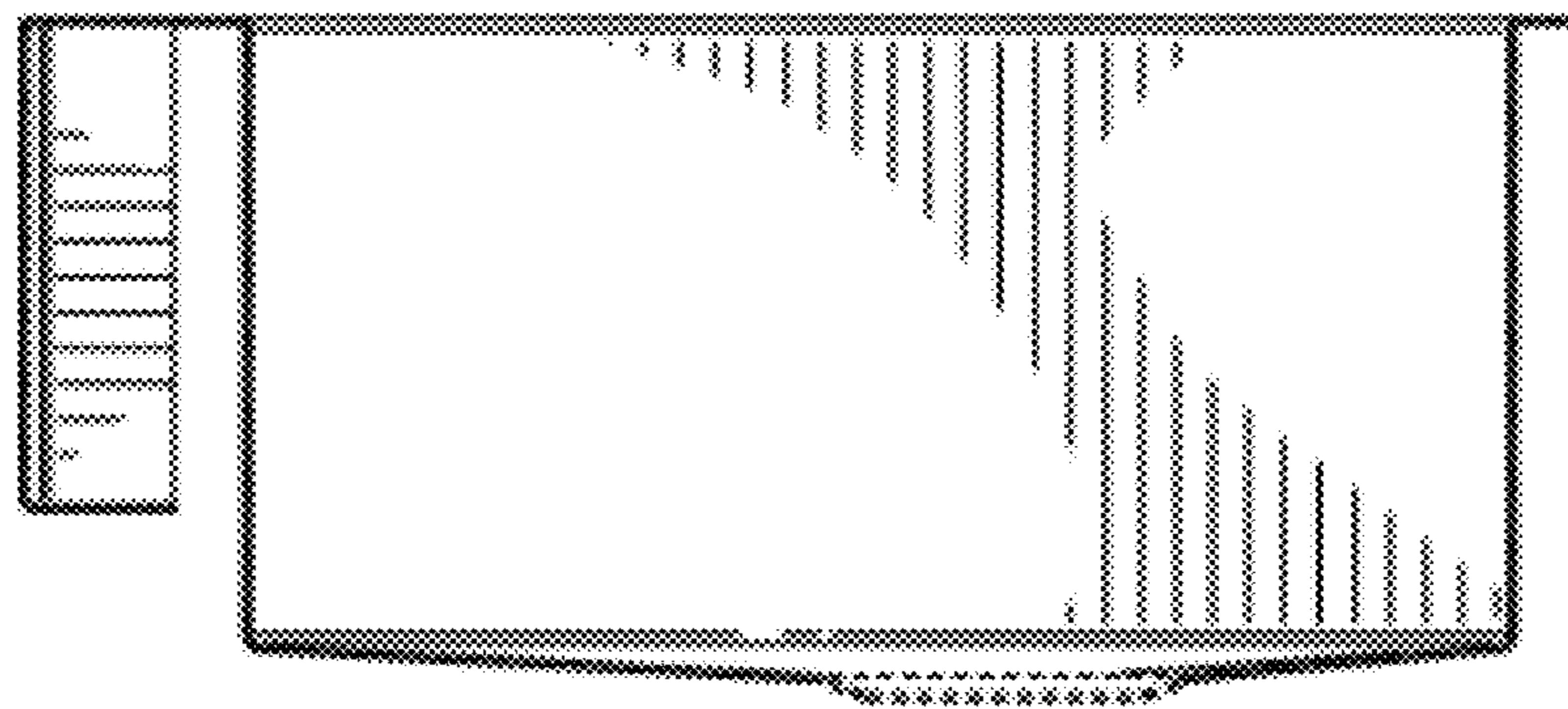


FIG. 8

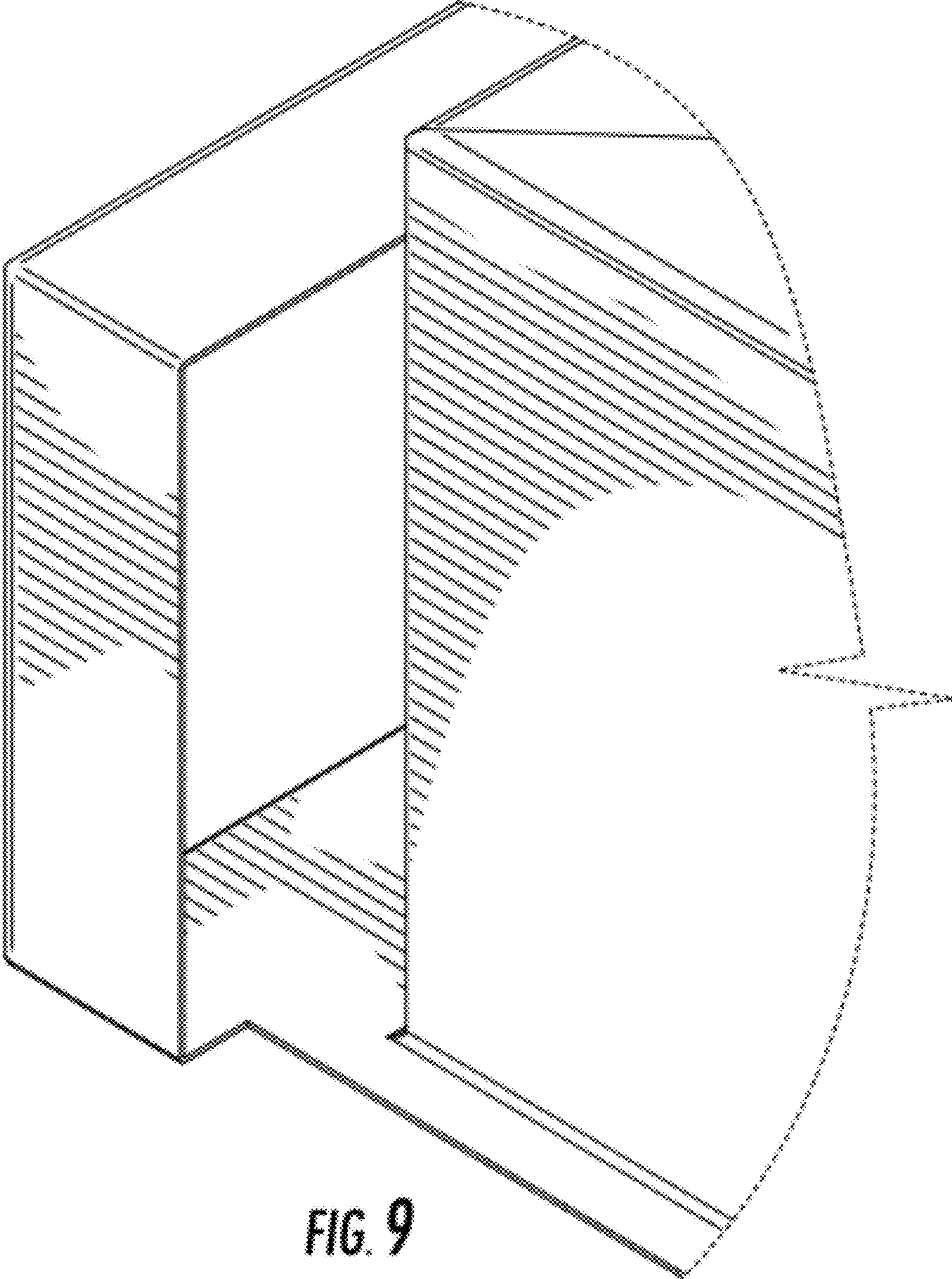


FIG. 9

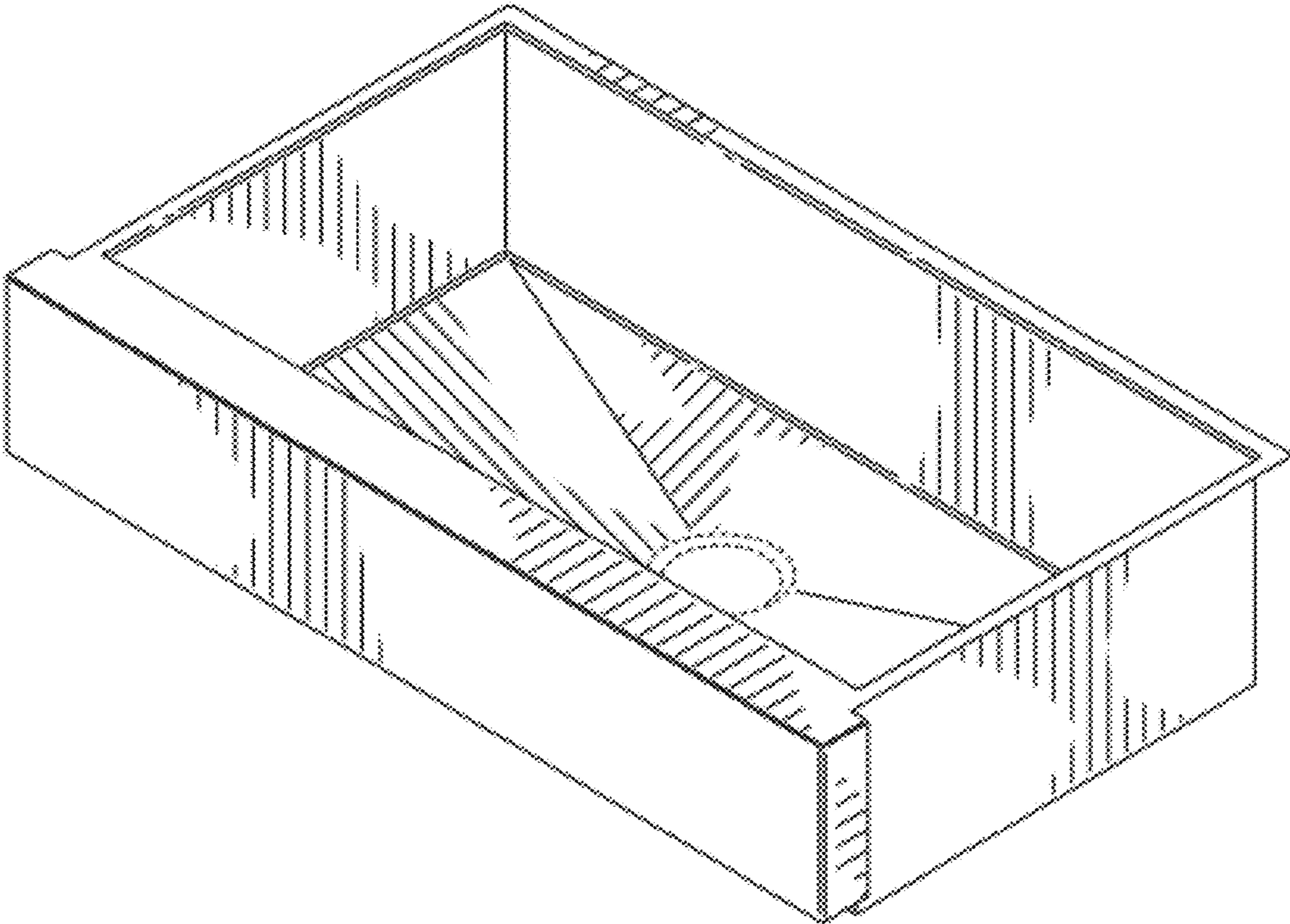


FIG. 10

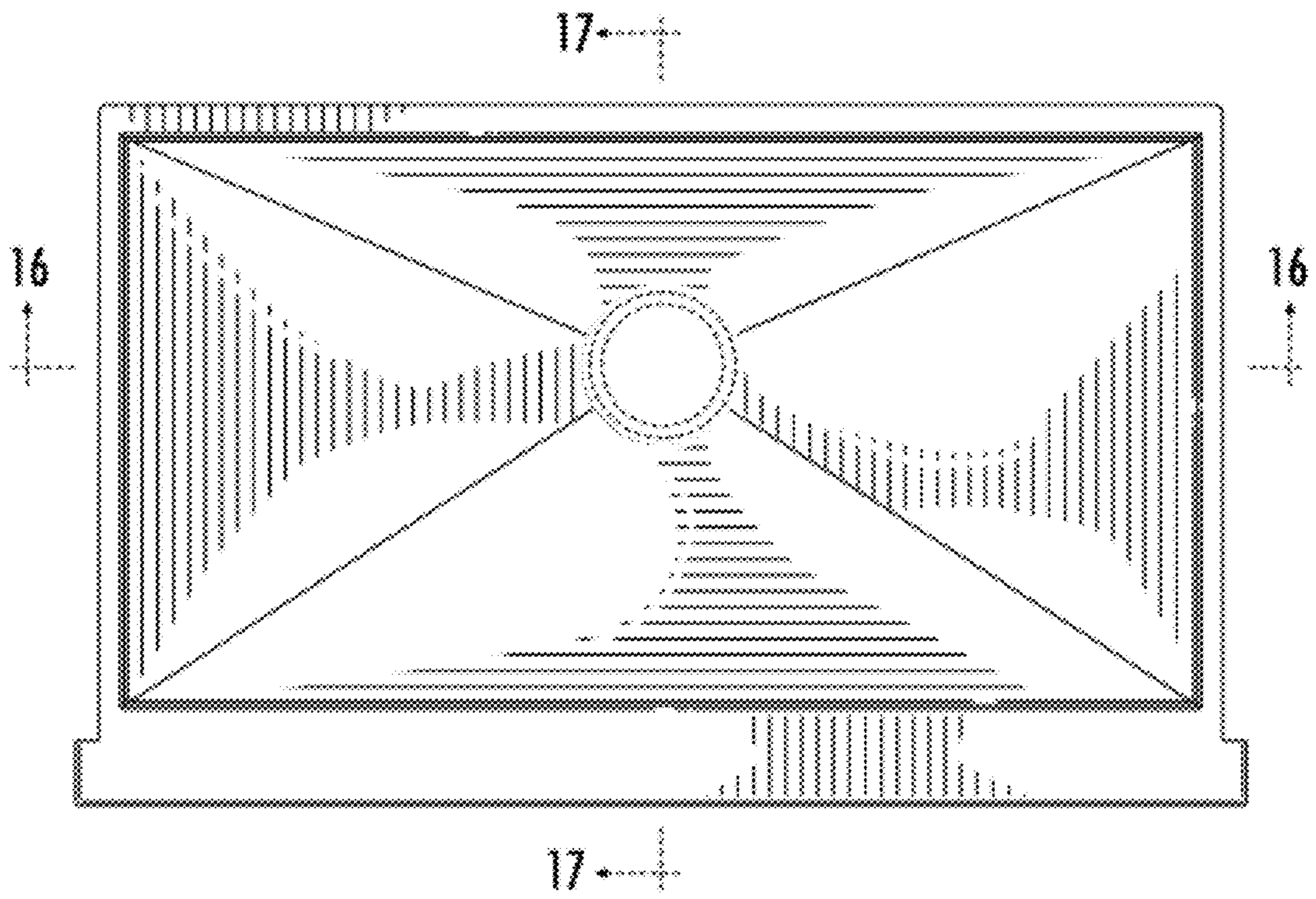


FIG. 11

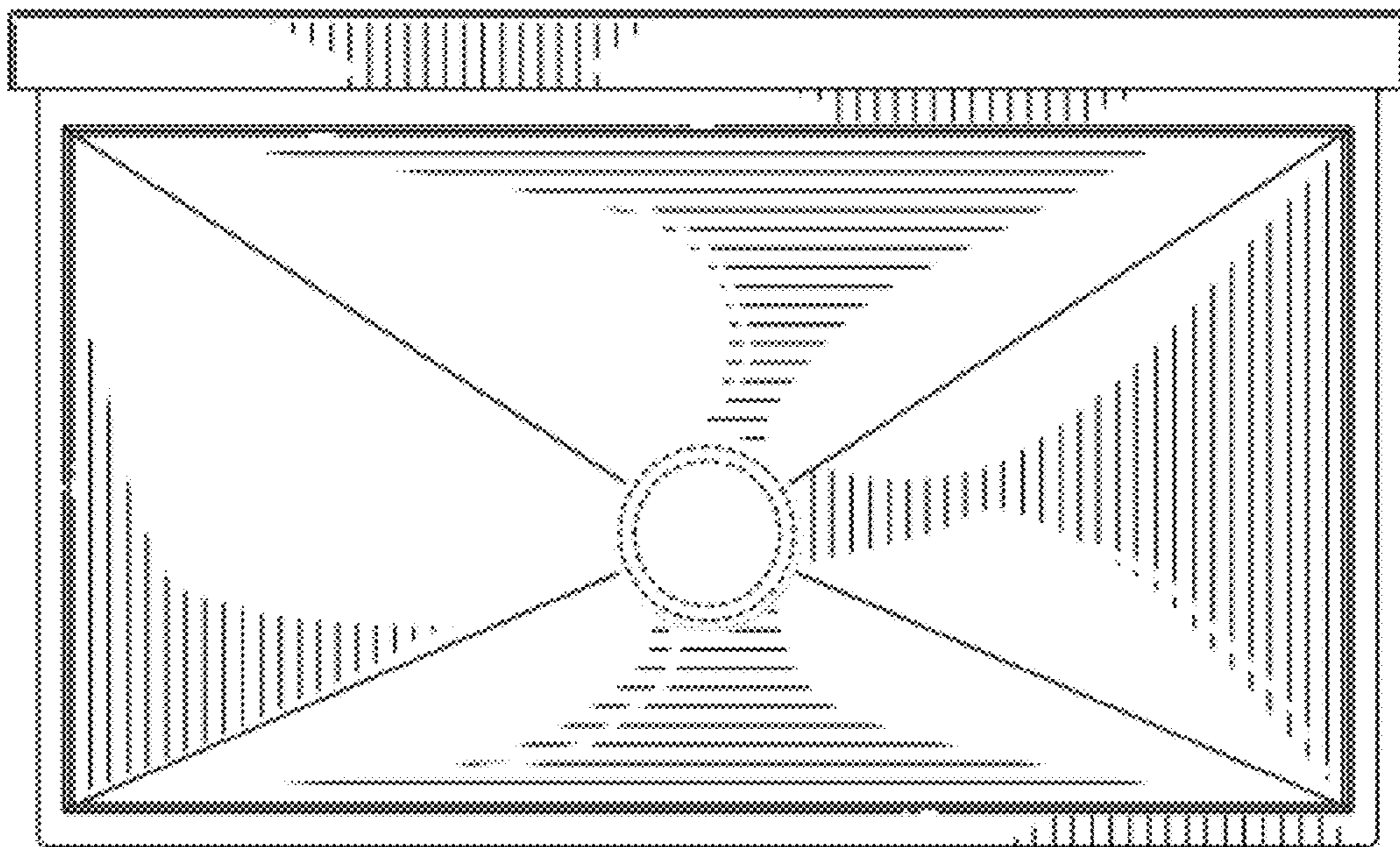


FIG. 12

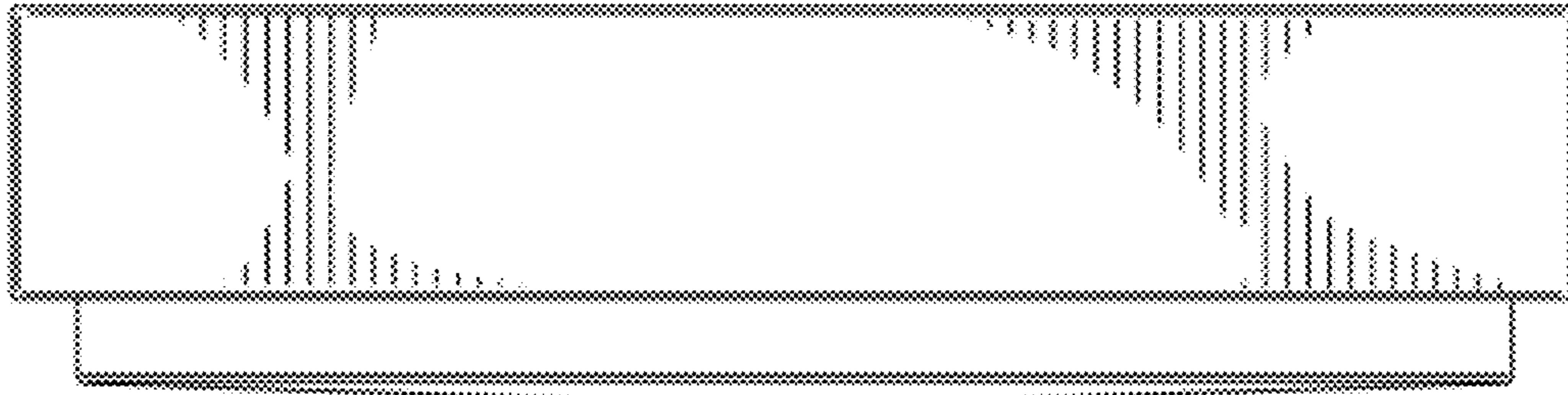


FIG. 13

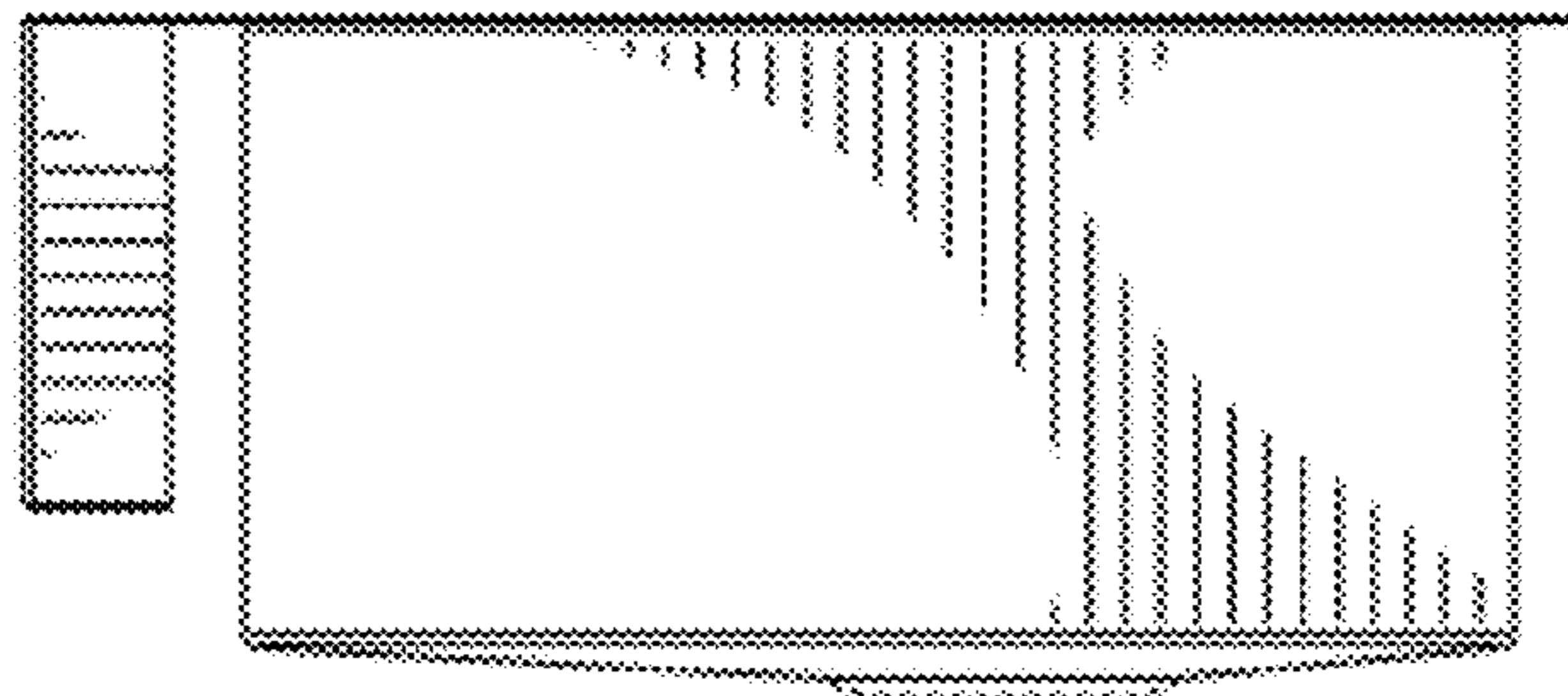


FIG. 14



FIG. 15

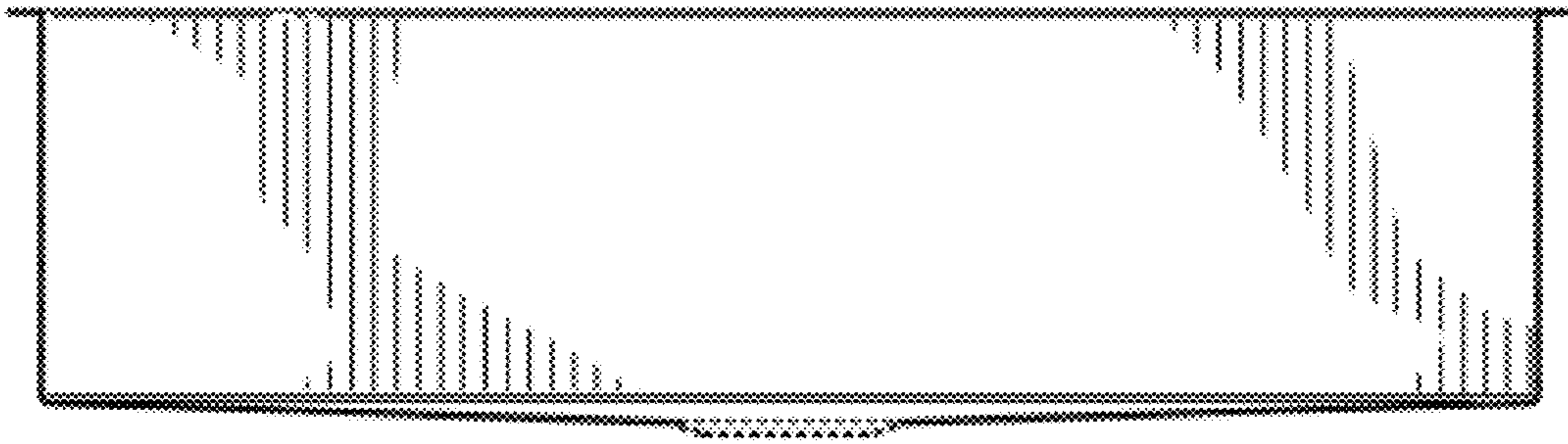


FIG. 16

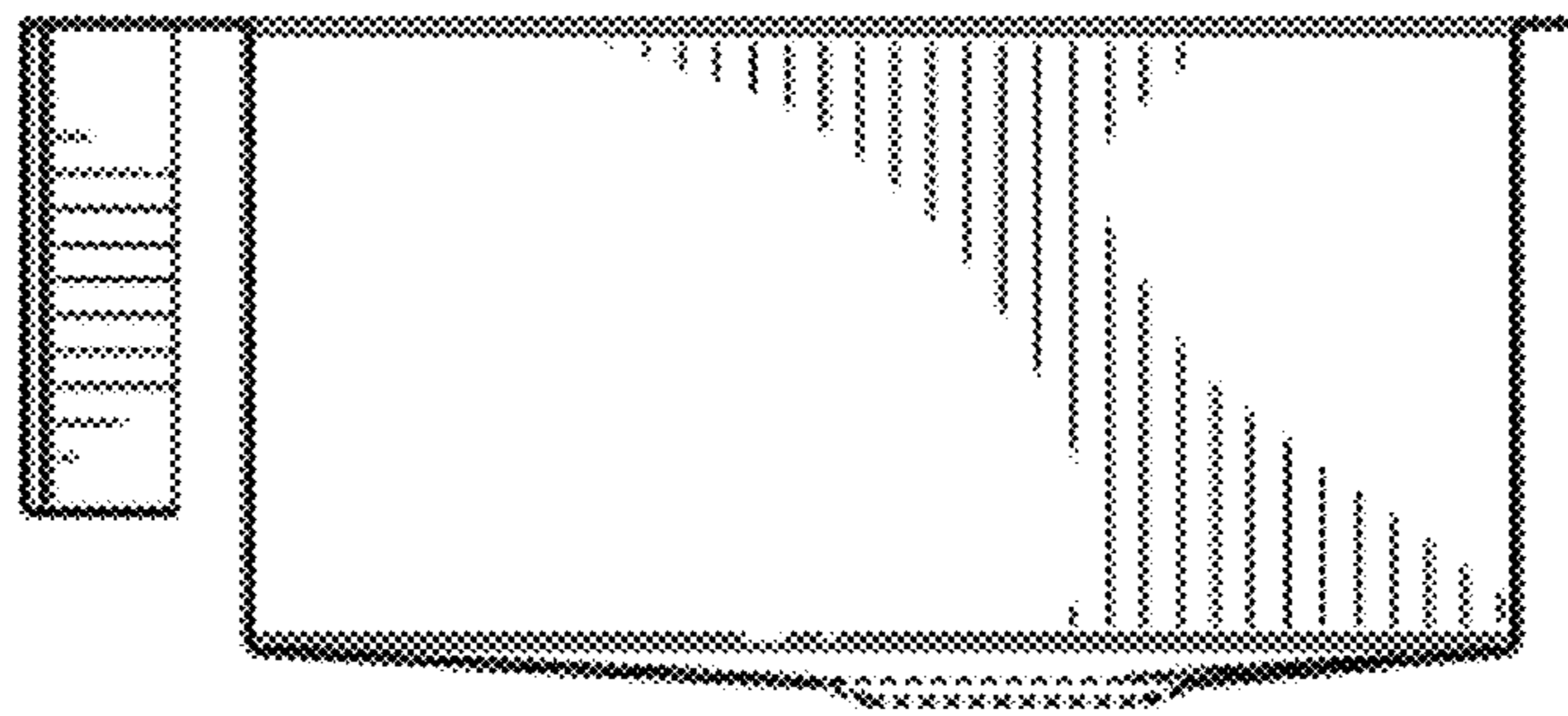


FIG. 17

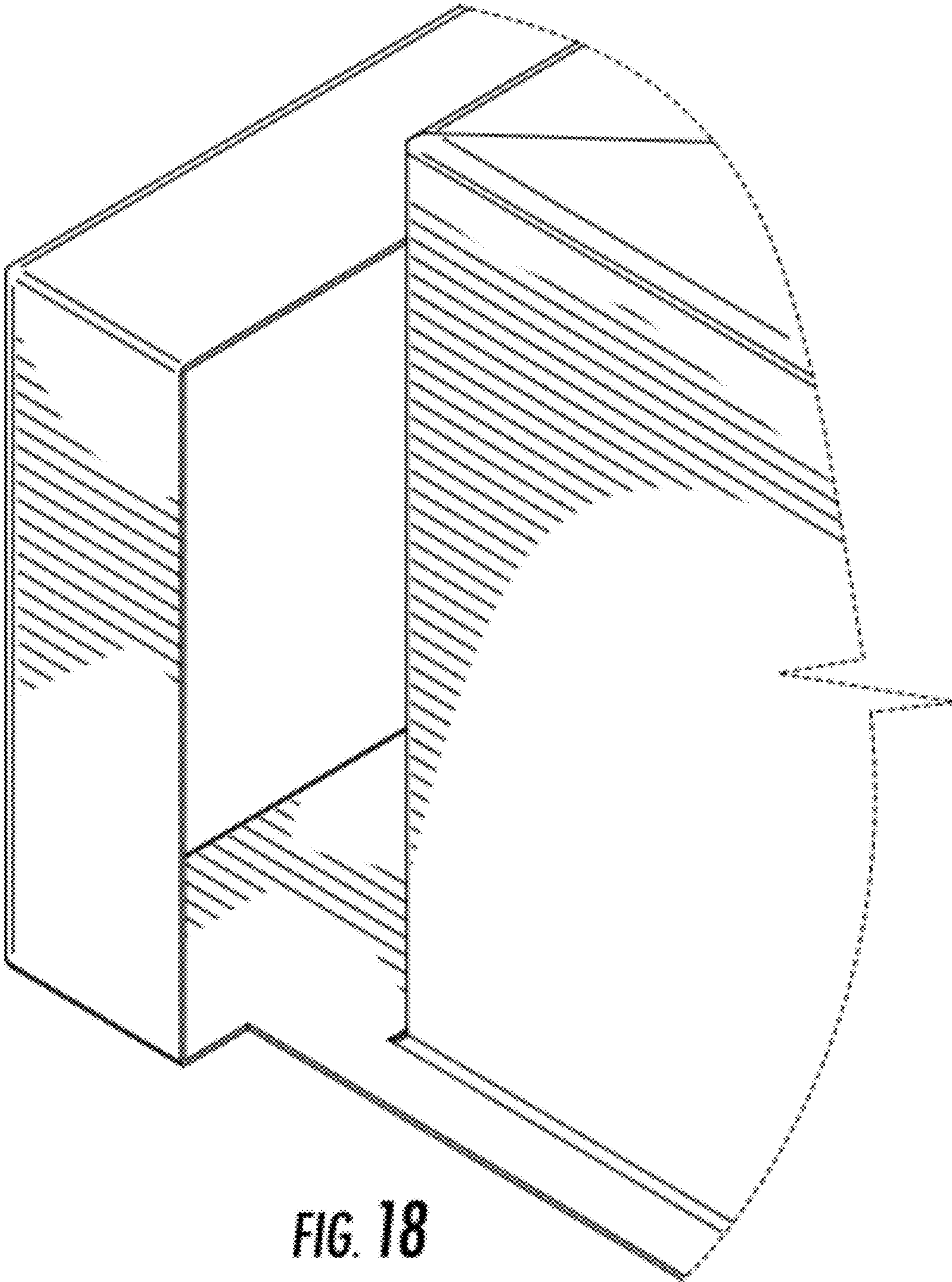


FIG. 18

UNITED STATES PATENT AND TRADEMARK OFFICE
CERTIFICATE OF CORRECTION

PATENT NO. : D663,389 S
APPLICATION NO. : 29/412242
DATED : July 10, 2012
INVENTOR(S) : Jason Miller et al.

Page 1 of 14

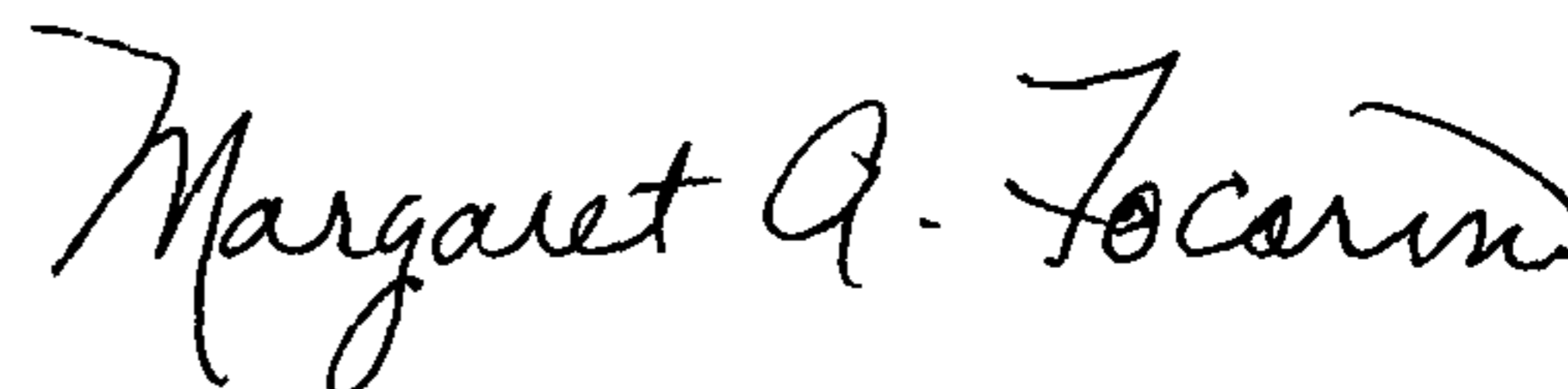
It is certified that error appears in the above-identified patent and that said Letters Patent is hereby corrected as shown below:

Title page illustrated Figs. 1 and 10 should be deleted and substitute therefor the attached title page consisting of illustrated Figs. 1 and 10.

In the Drawings

Figs. 1-18 should be deleted and substitute therefor the attached sheets 1 of 12 through 12 of 12, consisting of Figs. 1-18.

Signed and Sealed this
Third Day of December, 2013



Margaret A. Focarino
Commissioner for Patents of the United States Patent and Trademark Office

(12) **United States Design Patent**
Miller et al.

(10) **Patent No.:** **US D663,389 S**
 (45) **Date of Patent:** **** Jul. 10, 2012**

(54) **SINK**

(75) Inventors: **Jason Miller**, Sheboygan Falls, WI (US); **Terrence K. Mahon**, Whitefish Bay, WI (US); **Shawn J. Booth**, Sheboygan, WI (US); **Peter Tabeling**, Lakewood, OH (US)

(73) Assignee: **Kohler Co.**, Kohler, WI (US)

(**) Term: **14 Years**

(21) Appl. No.: **29/412,242**

(22) Filed: **Feb. 1, 2012**

Related U.S. Application Data

(62) Division of application No. 29/386,884, filed on Mar. 4, 2011, now Pat. No. Des. 655,798.

(51) **LOC (9) Cl.** **23-02**

(52) **U.S. Cl.** **D23/293.1**

(58) **Field of Classification Search** D23/284, D23/290-292, 293.1, 303, 308; 4/619, 639 640
 See application file for complete search history.

(56) **References Cited**

U.S. PATENT DOCUMENTS

D353,652 S 12/1994 Dannenberg
 (Continued)

OTHER PUBLICATIONS

Rachiele; "Patented copper apron front sink with channel," http://www.rachiele.com/copper_apron_sinks-with-patent.asp; retrieval date: Nov. 30, 2011; 3 pages.

Primary Examiner — Robert Delehanty

(74) *Attorney, Agent, or Firm* — Foley & Lardner LLP

(57) **CLAIM**

We claim the ornamental design for a sink, as shown and described.

DESCRIPTION

FIG. 1 is a top perspective view of an embodiment of the claimed design;

FIG. 2 is a top plan view of the claimed design of FIG. 1;

FIG. 3 is a bottom plan view of the claimed design of FIG. 1;

FIG. 4 is a front view of the claimed design of FIG. 1;

FIG. 5 is a left-side view of the claimed design of FIG. 1;

FIG. 6 is a rear view of the claimed design of FIG. 1;

FIG. 7 is a cross-sectional view of FIG. 2;

FIG. 8 is another cross-sectional view of FIG. 2;

FIG. 9 is detailed bottom perspective view of the claimed design of FIG. 1;

FIG. 10 is a top perspective view of another embodiment of the claimed design;

FIG. 11 is a top plan view of the claimed design of FIG. 10;

FIG. 12 is a bottom plan view of the claimed design of FIG. 10;

FIG. 13 is a front view of the claimed design of FIG. 10;

FIG. 14 is a left-side view of the claimed design of FIG. 10;

FIG. 15 is a rear view of the claimed design of FIG. 10;

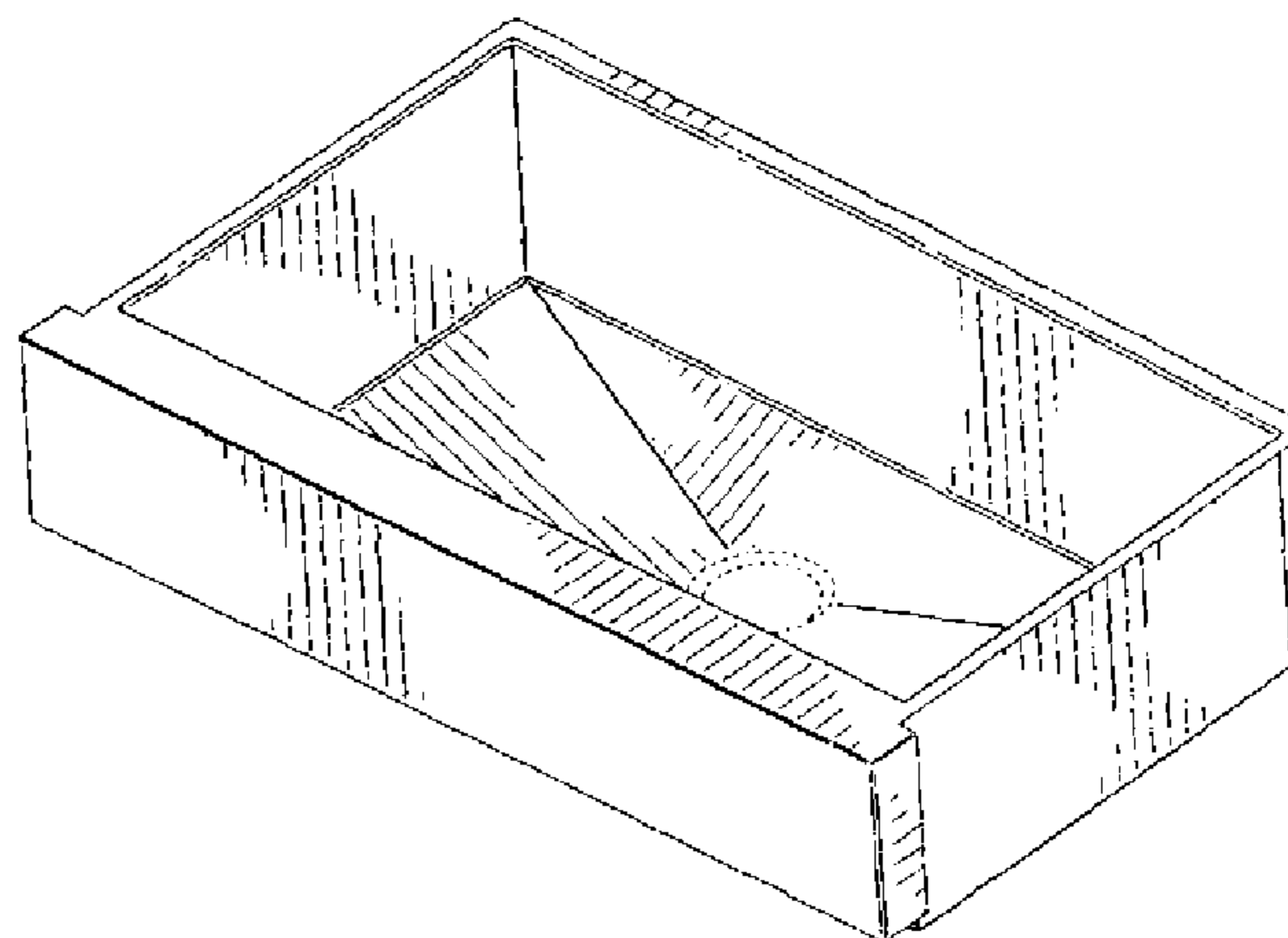
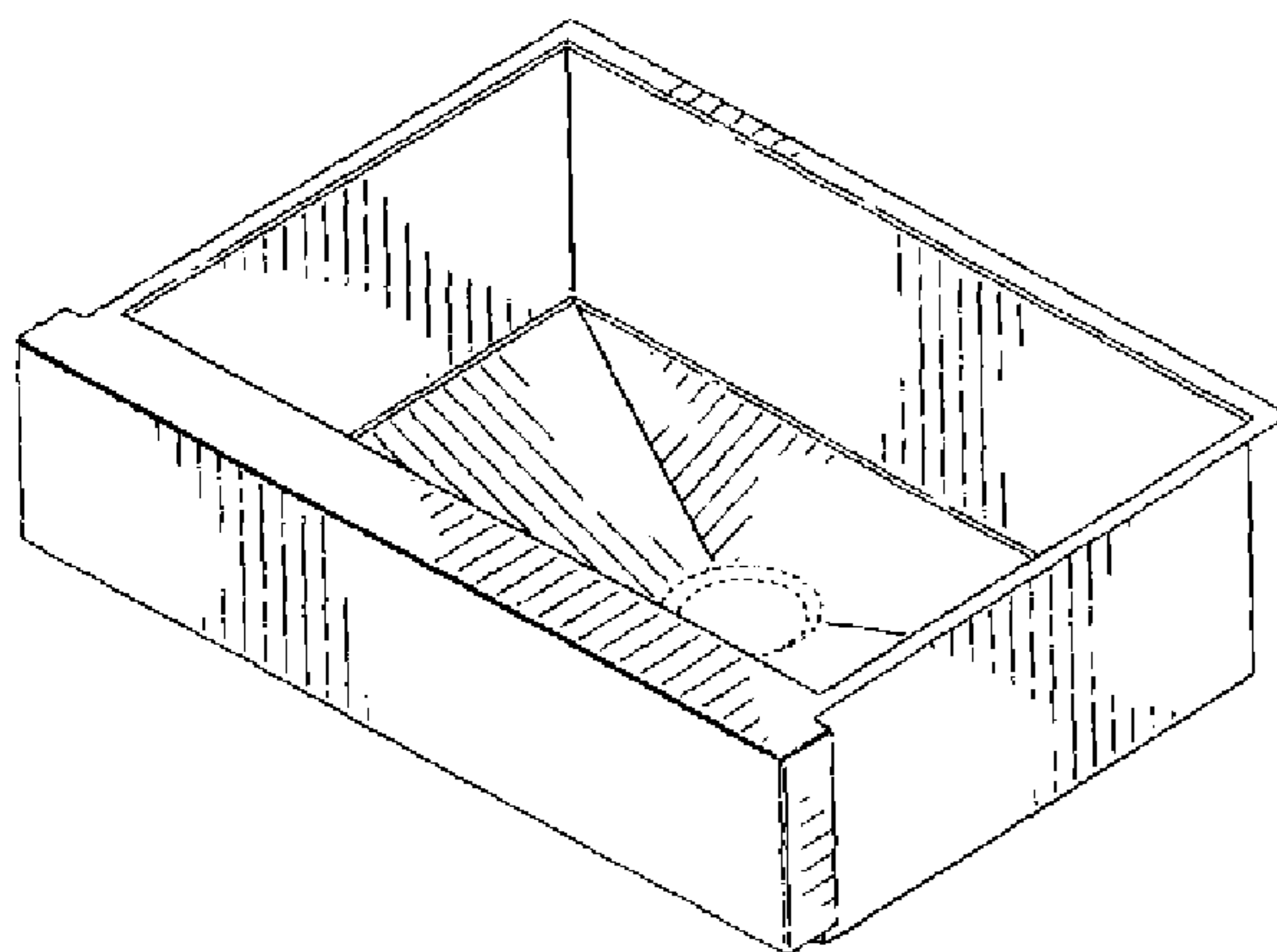
FIG. 16 is a cross-sectional view of FIG. 11;

FIG. 17 is another cross-sectional view of FIG. 11; and,

FIG. 18 is detailed bottom perspective view of the claimed design of FIG. 10.

The ornamental design which is claimed is shown in solid lines in the drawings. The broken lines in the drawings are for illustrative purposes only and form no part of the claimed design.

1 Claim, 12 Drawing Sheets



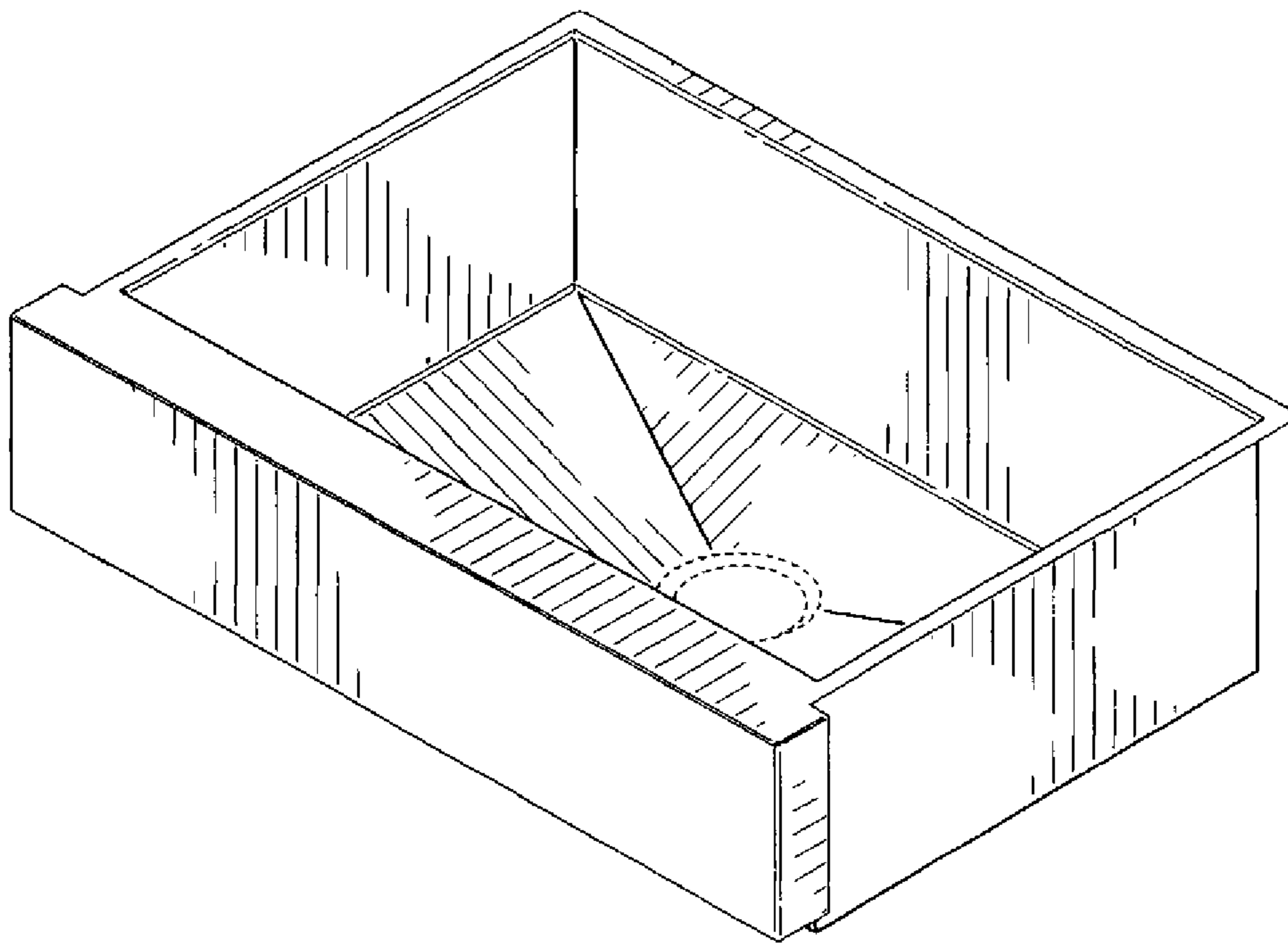


FIG. 1

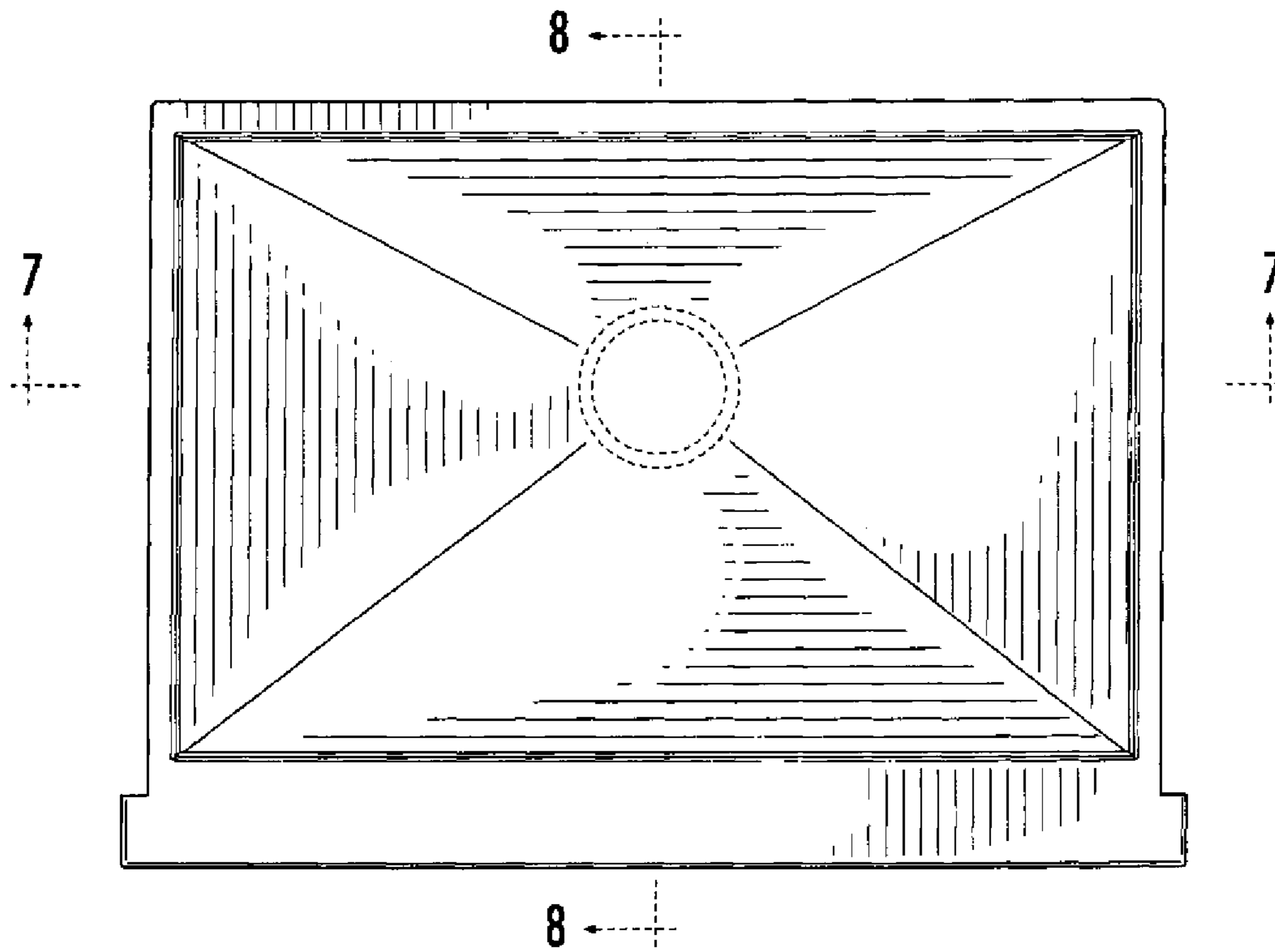


FIG. 2

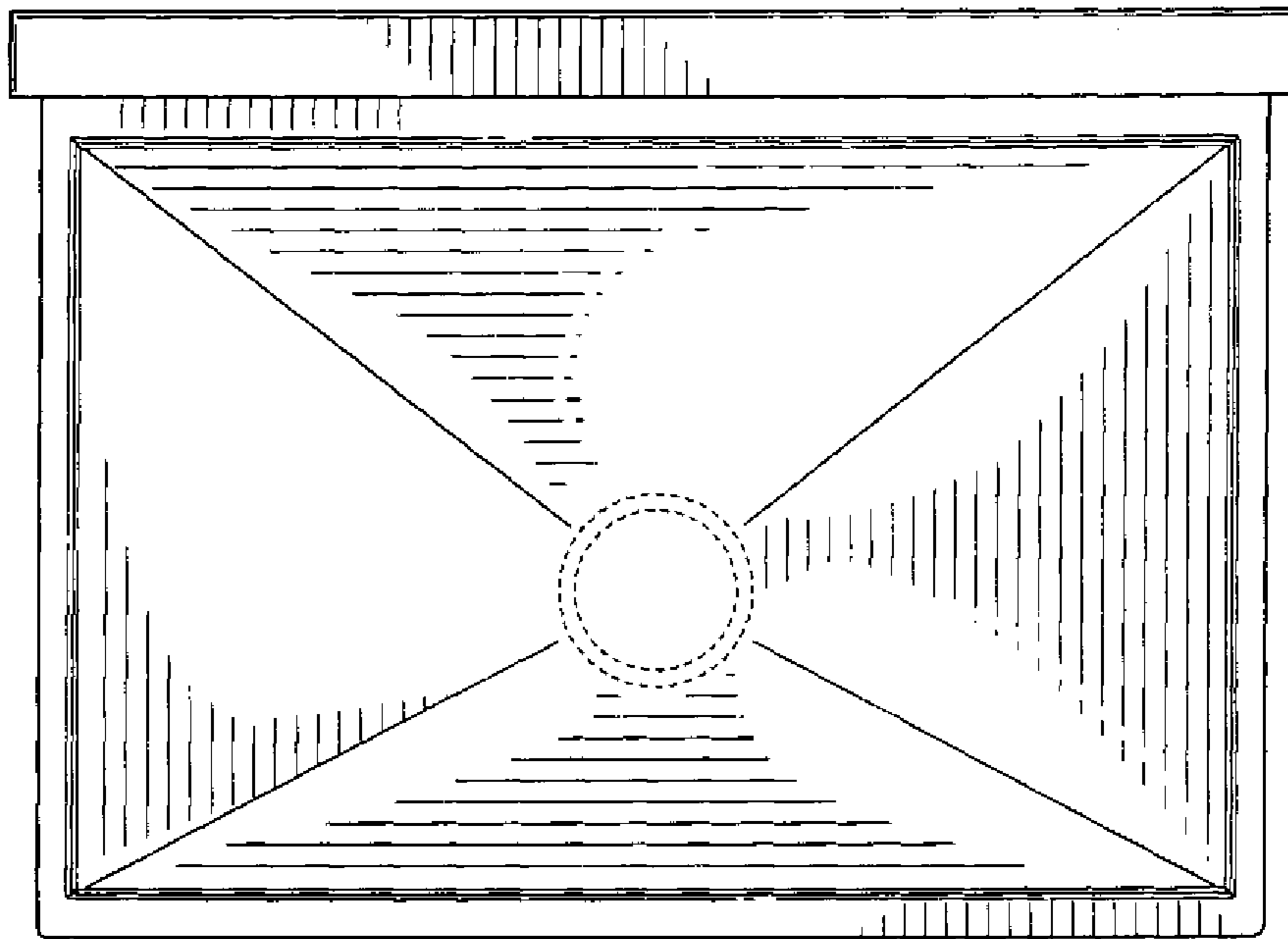


FIG. 3

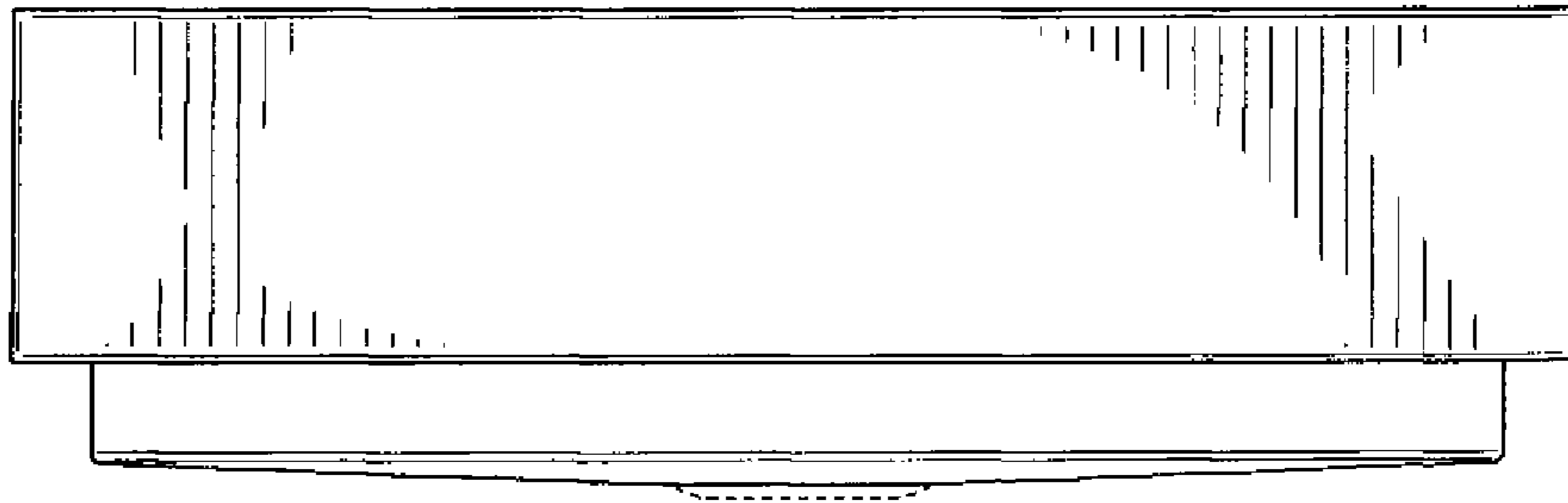


FIG. 4

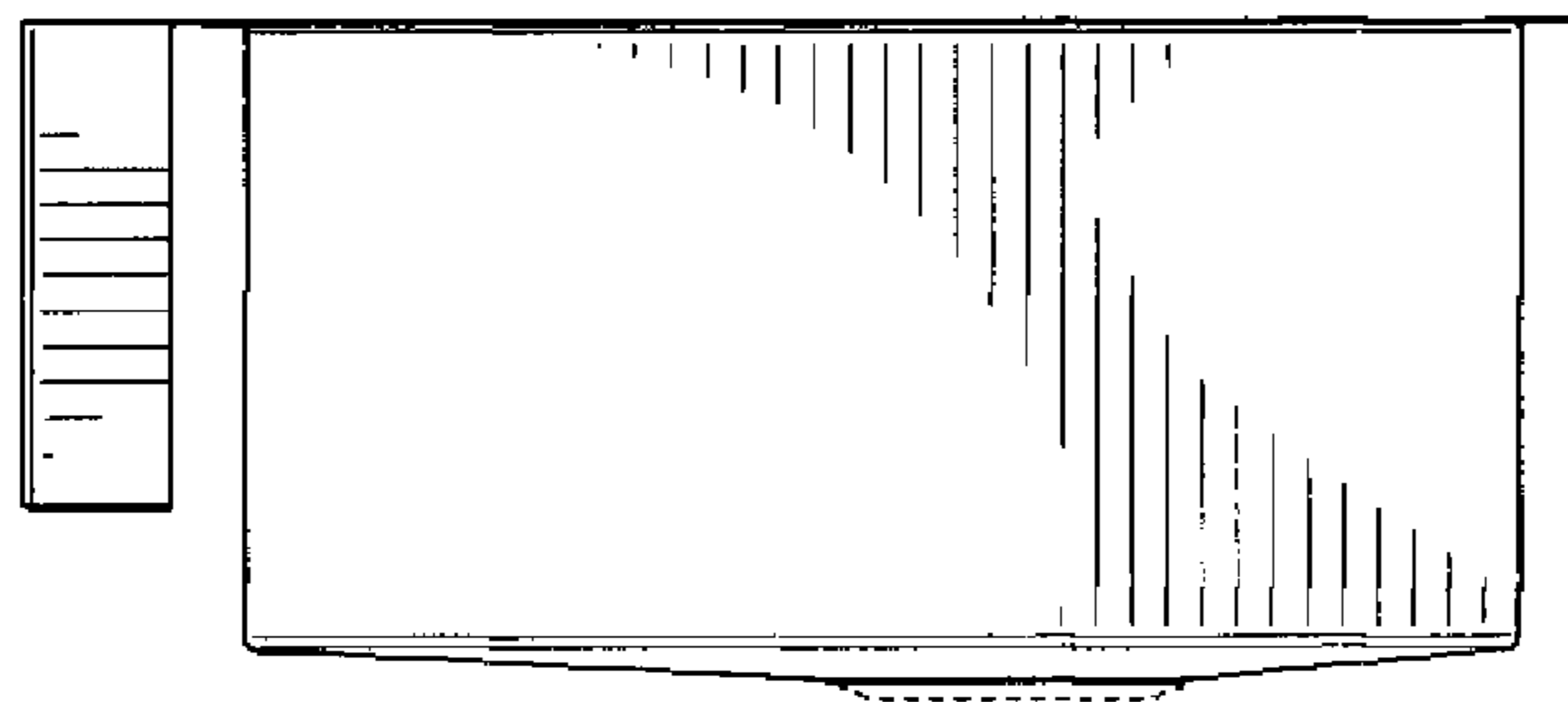


FIG. 5

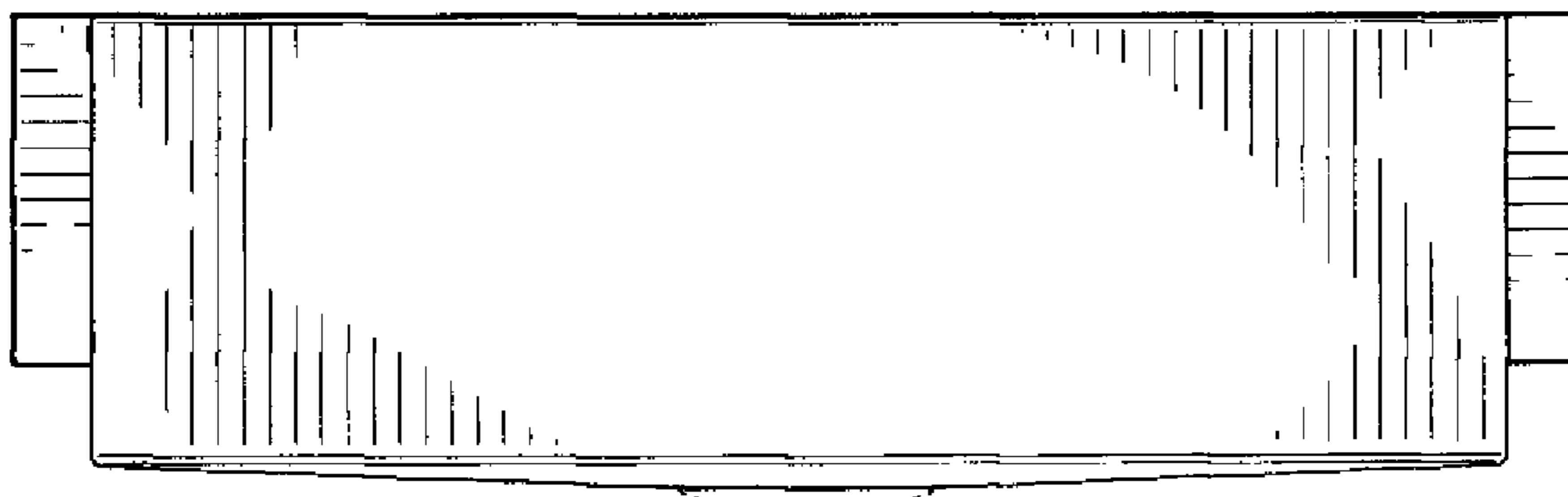


FIG. 6

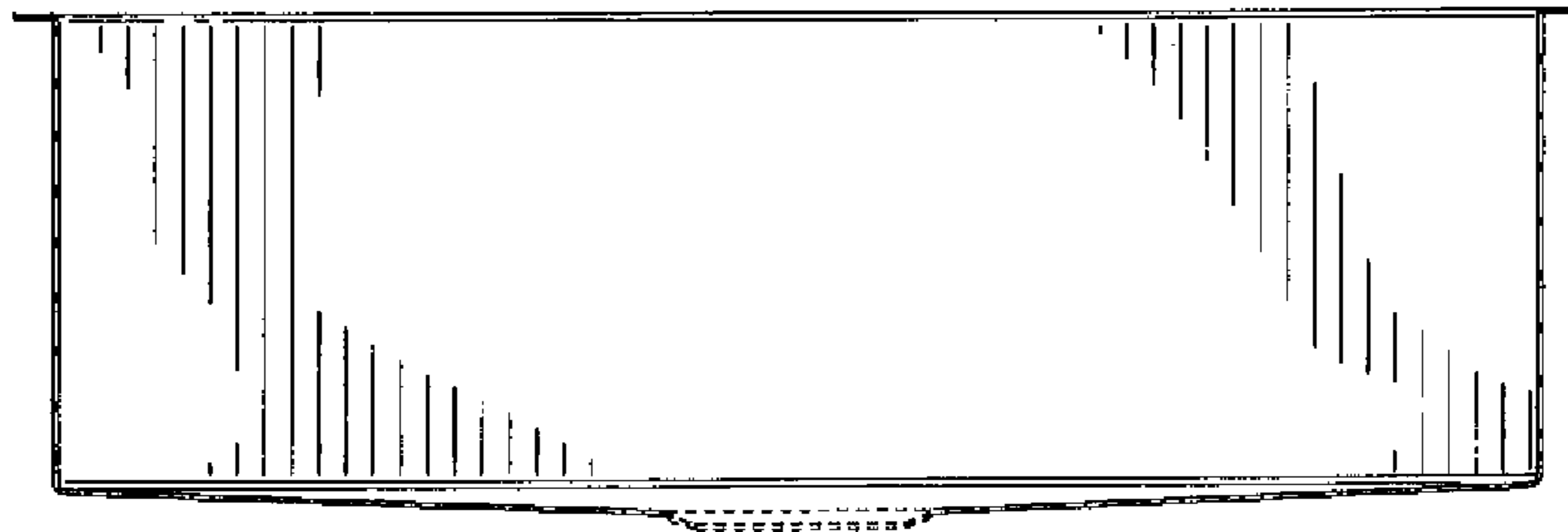


FIG. 7

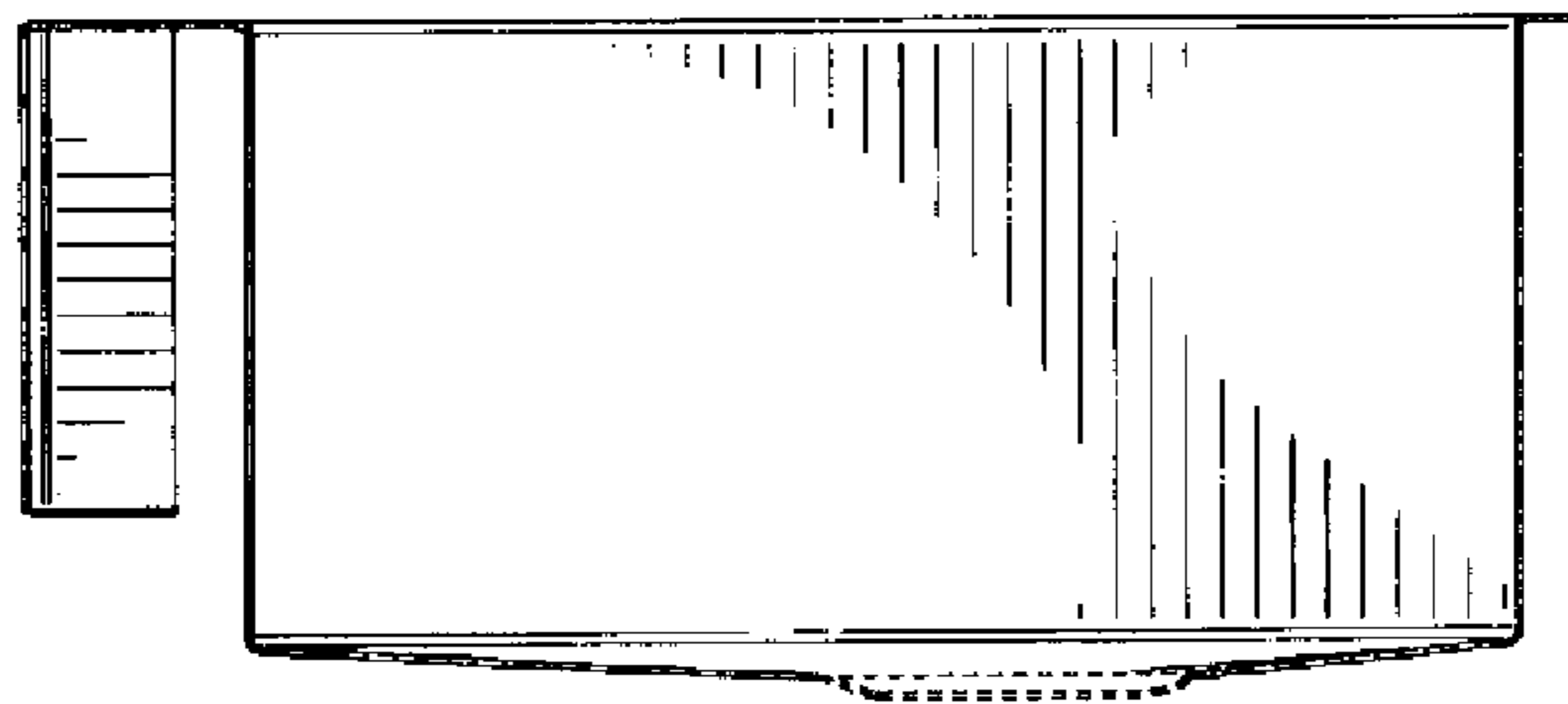
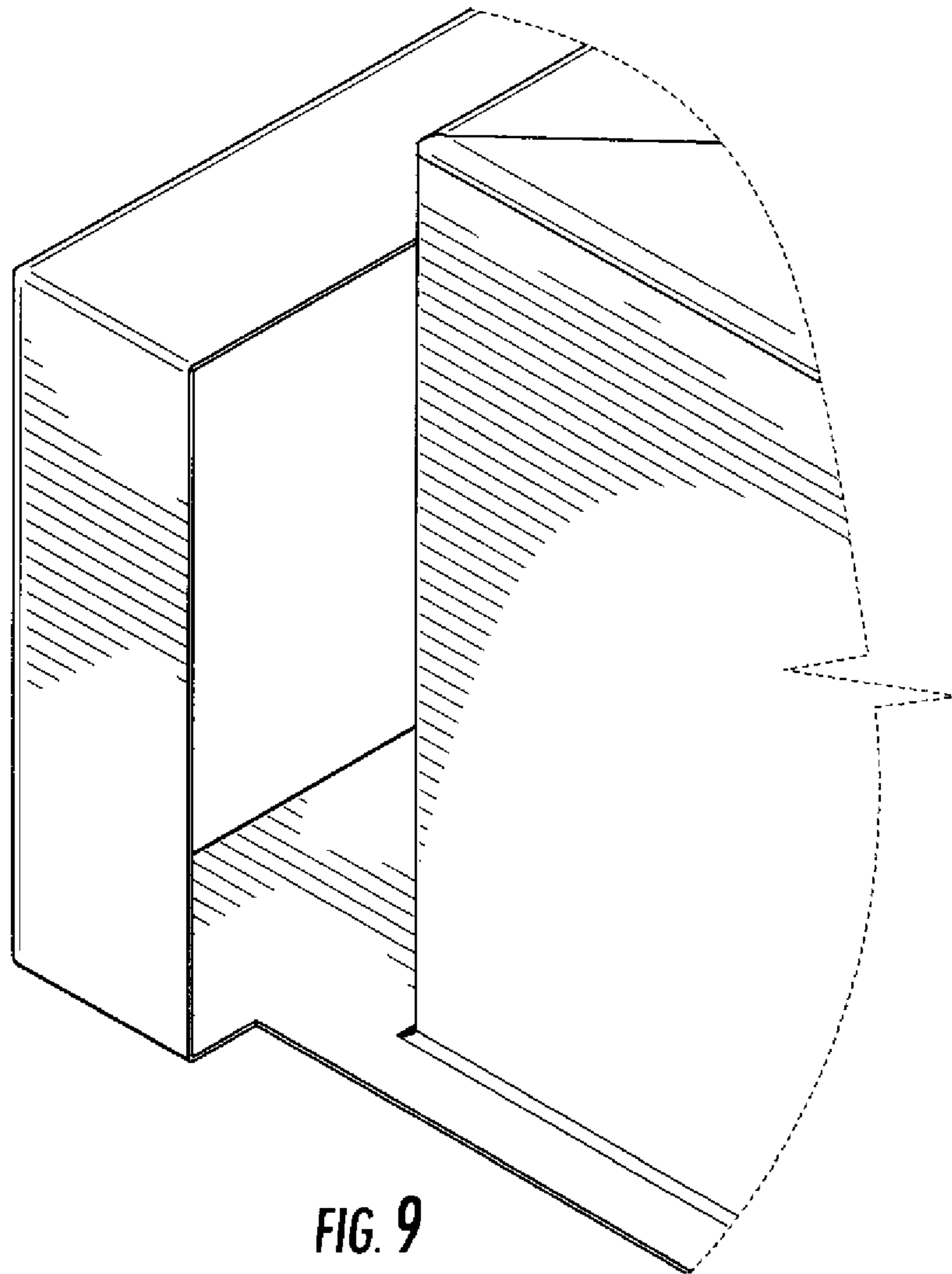


FIG. 8



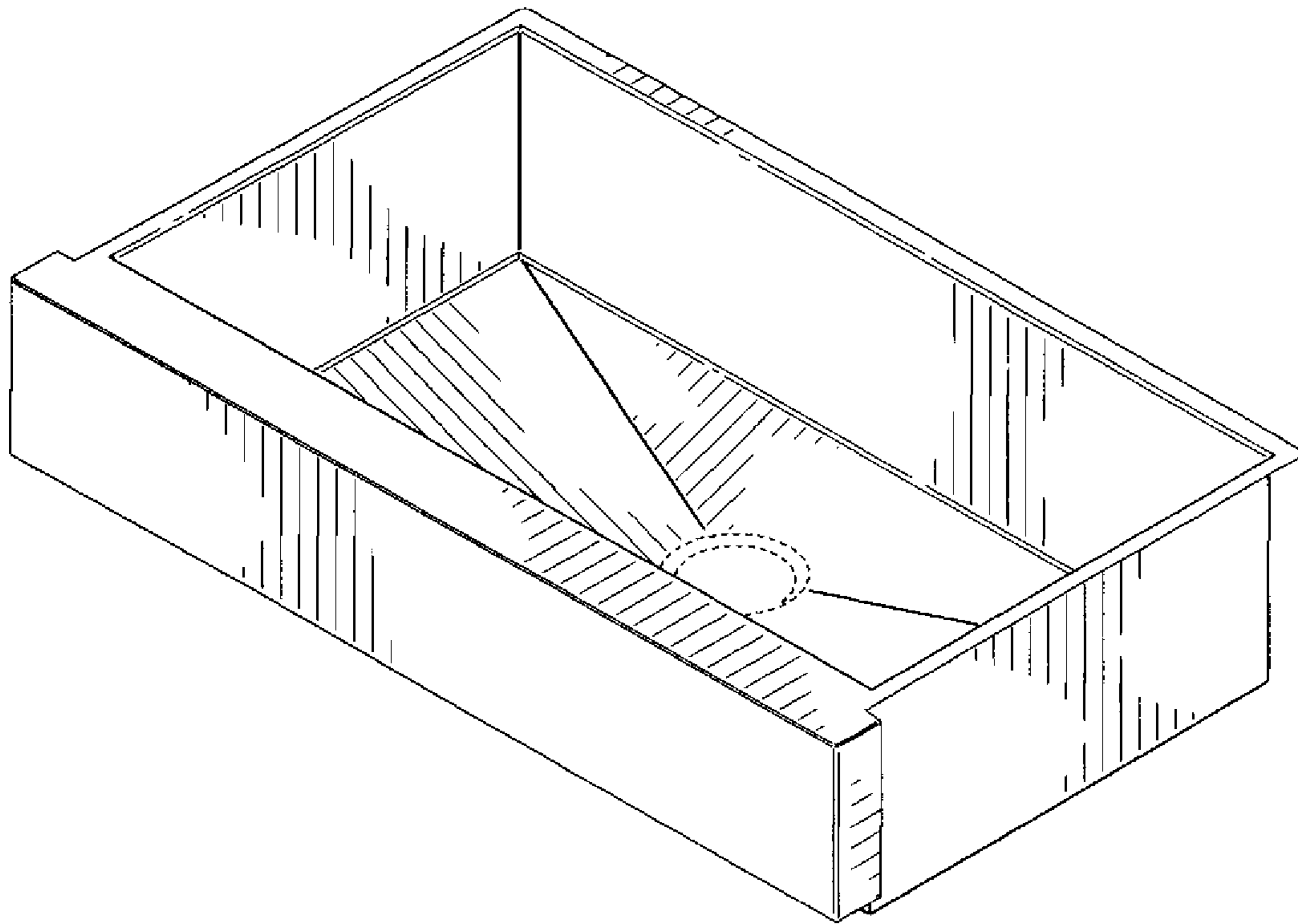
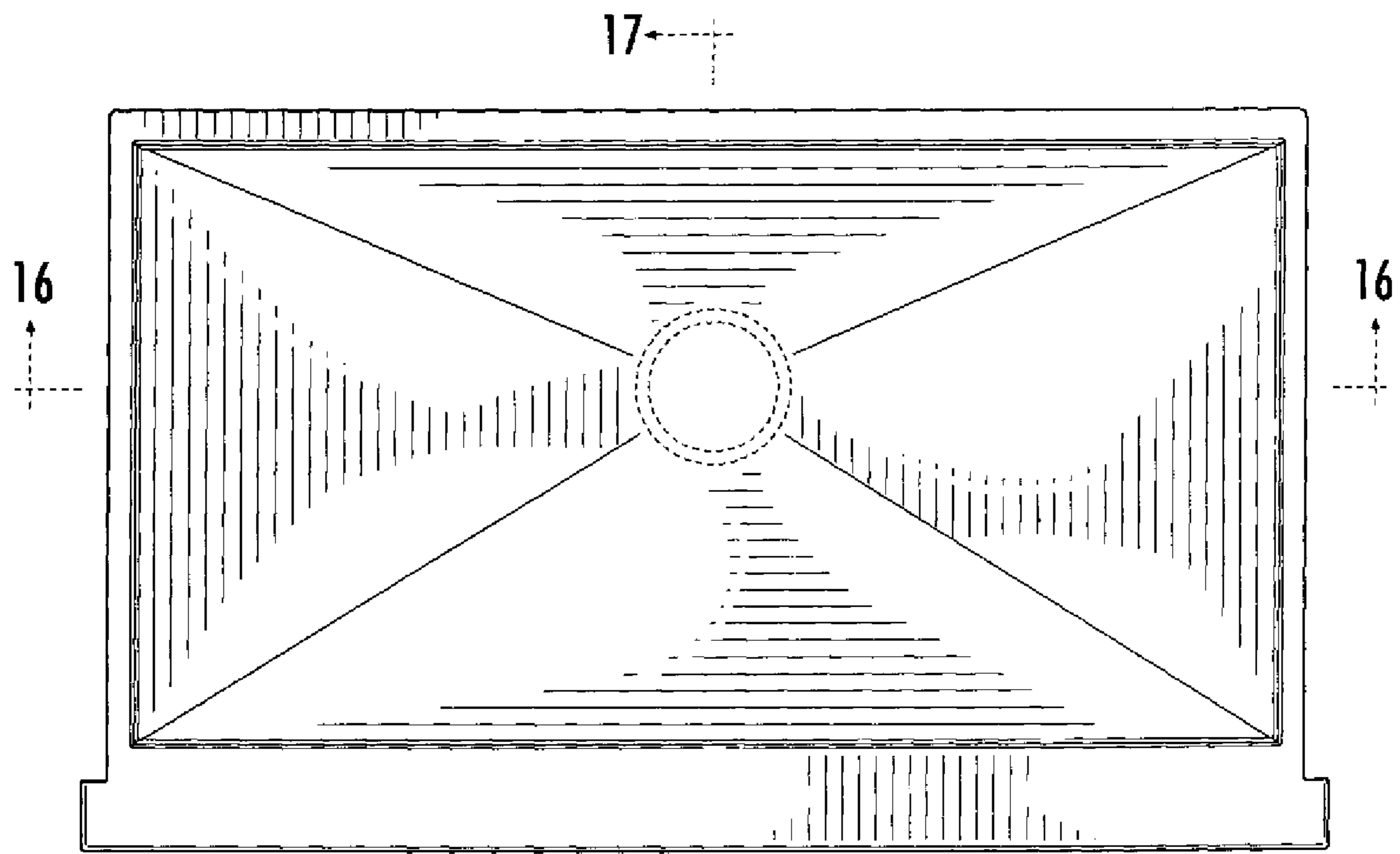


FIG. 10



17
FIG. 11

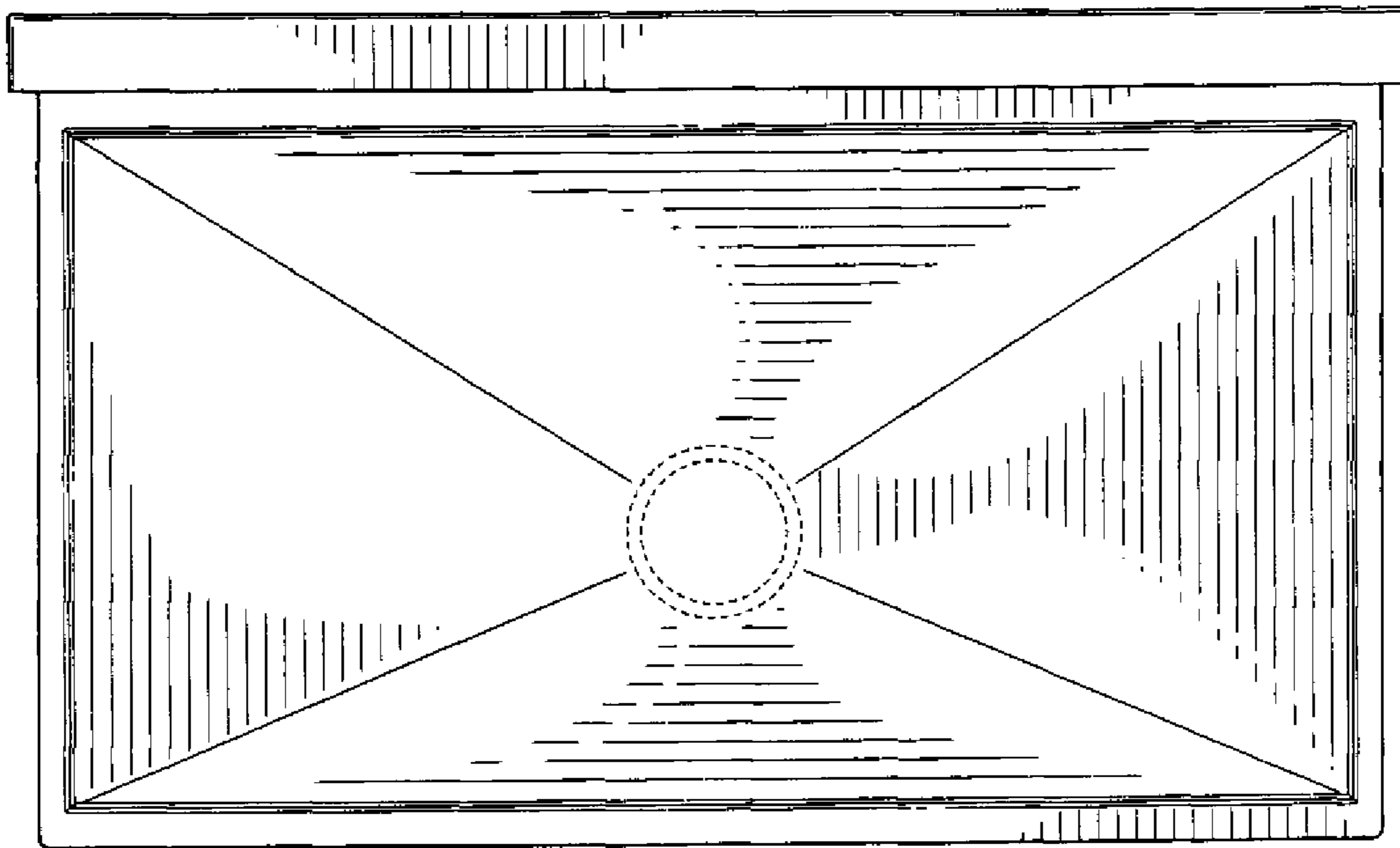


FIG. 12



FIG. 13

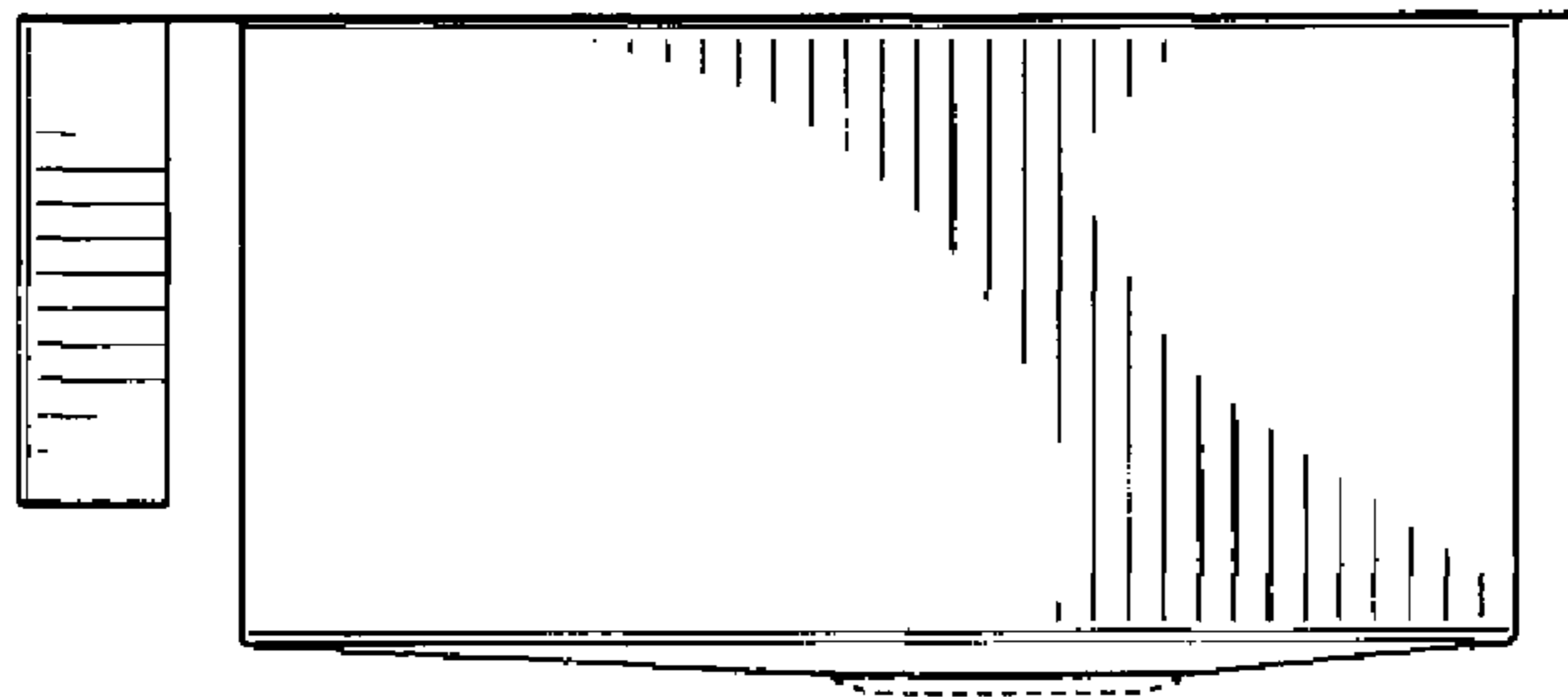


FIG. 14

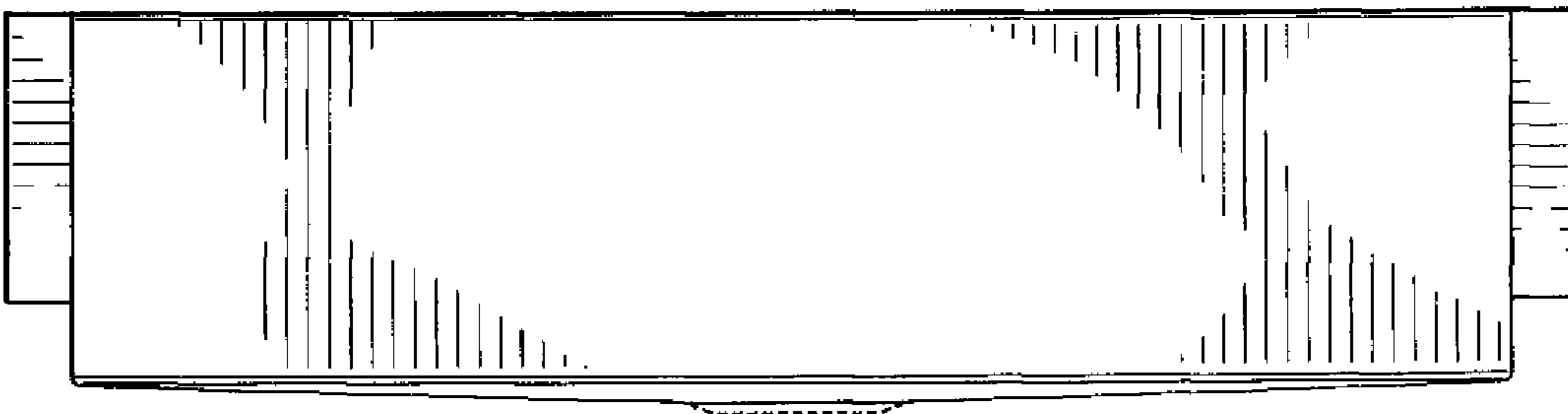


FIG. 15

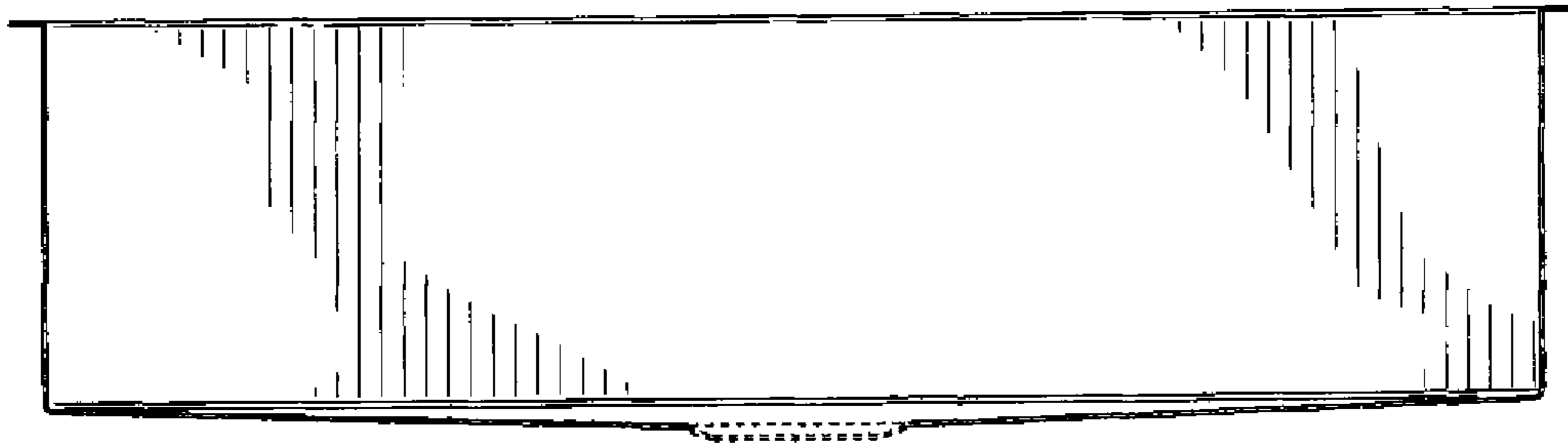


FIG. 16

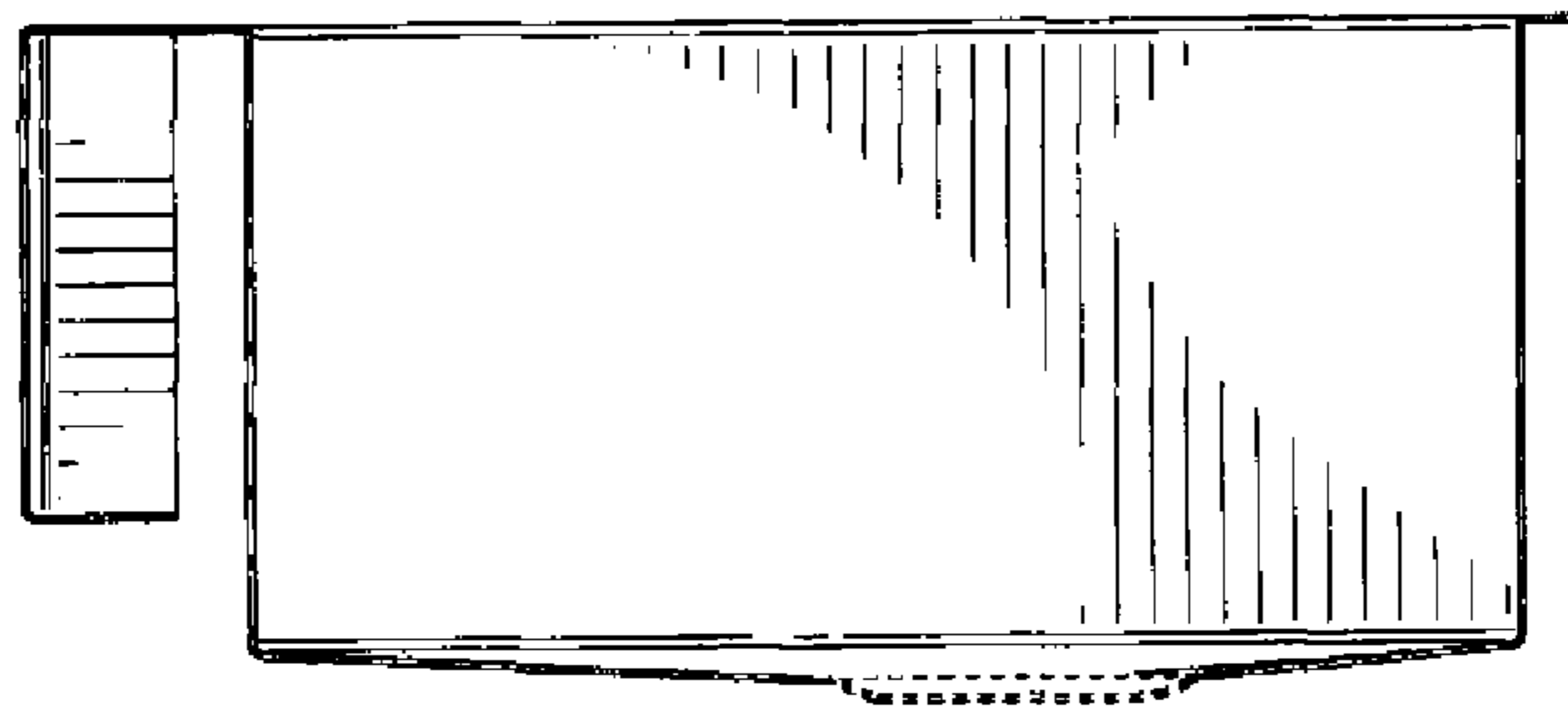


FIG. 17

