



US00D663386S

(12) **United States Design Patent**  
**Fibranz**

(10) **Patent No.:** **US D663,386 S**  
(45) **Date of Patent:** **\*\* Jul. 10, 2012**

- (54) **PIPE PLUG**
- (76) Inventor: **Lance C. Fibranz**, Sartell, MN (US)
- (\*\*) Term: **14 Years**
- (21) Appl. No.: **29/342,546**
- (22) Filed: **Aug. 27, 2009**
- (51) **LOC (9) Cl.** ..... **23-02**
- (52) **U.S. Cl.** ..... **D23/260**
- (58) **Field of Classification Search** ..... D23/259–260;  
D8/387, 397; 222/552, 554, 563; 4/286,  
4/287, 295; 114/197; 217/110; 220/288;  
138/89–91; D9/435, 439, 440, 443, 544,  
D9/545; 215/294–299, 355–356  
See application file for complete search history.

1,707,352	A *	4/1929	Fraser	.....	4/295
1,809,171	A *	6/1931	Larsen	.....	4/295
2,000,206	A *	5/1935	Yosewitch	.....	4/295
2,024,475	A *	12/1935	Rossmann	.....	4/287
2,329,242	A *	9/1943	Best	.....	4/295
D205,276	S *	7/1966	Kort	.....	D23/260
D209,379	S *	11/1967	Quick	.....	D23/260
D413,262	S *	8/1999	Cardinaletti	.....	D9/439
D623,049	S *	9/2010	Zeyfang	.....	D8/397
7,866,346	B1 *	1/2011	Walters	.....	138/89
2009/0189311	A1 *	7/2009	Quillin et al.	.....	264/300

\* cited by examiner

*Primary Examiner* — T. Chase Nelson  
*Assistant Examiner* — Eric Goodman  
 (74) *Attorney, Agent, or Firm* — Dave Alan Lingbeck

(57) **CLAIM**  
 The ornamental design for a pipe plug, as shown and described.

**DESCRIPTION**

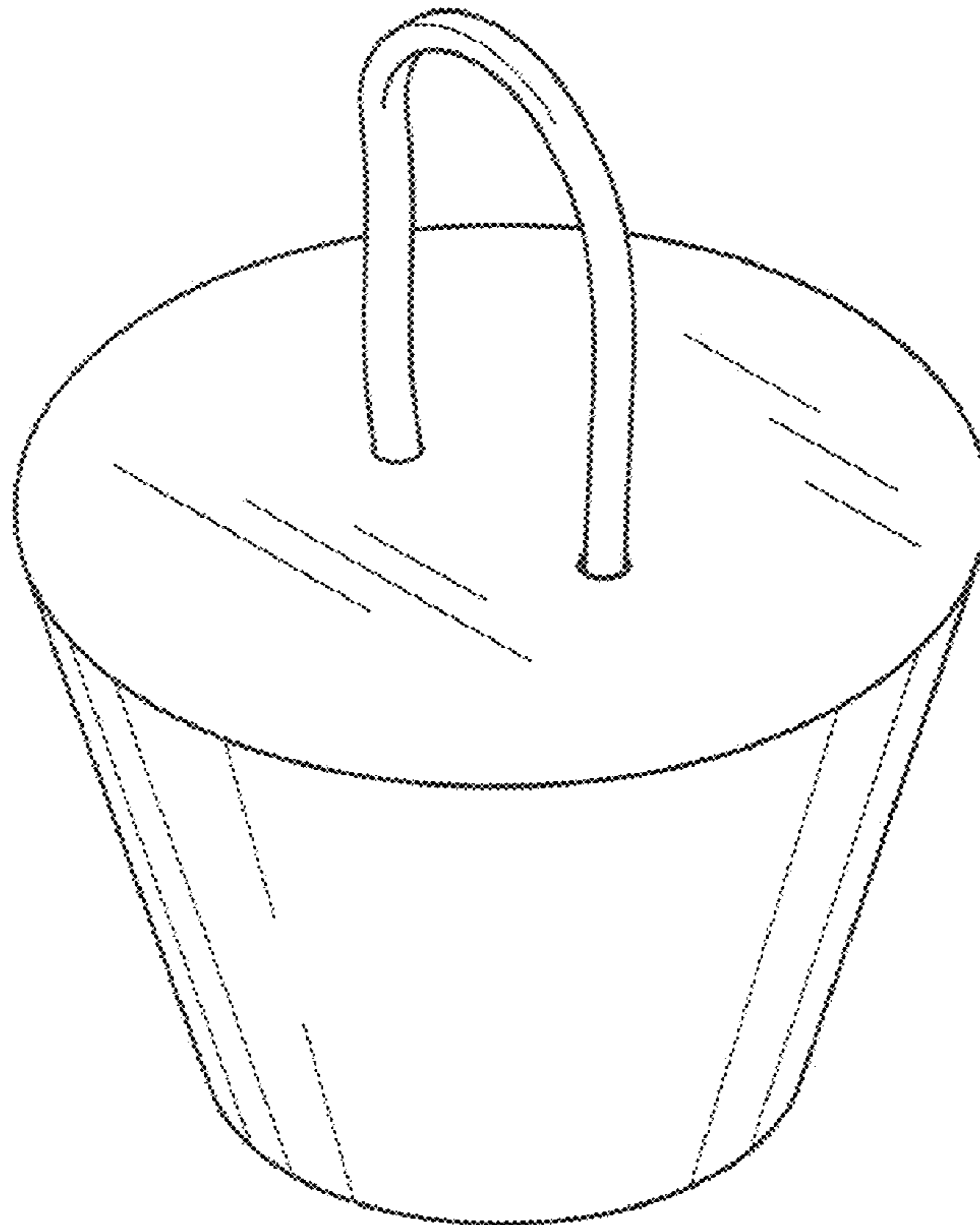
FIG. 1 is an upper front perspective view of a pipe plug showing my new design including the front and top thereof. FIG. 2 is a lower back perspective view of the pipe plug showing the bottom and back thereof. FIG. 3 is an upper front perspective view of a second embodiment of the pipe plug showing the front and top thereof; and, FIG. 4 is a lower back perspective view of a second embodiment of the pipe plug showing the bottom and back thereof.

**1 Claim, 2 Drawing Sheets**

(56) **References Cited**

**U.S. PATENT DOCUMENTS**

377,483	A *	2/1888	Purstenwarther	.....	141/381
559,079	A *	4/1896	Howson	.....	215/299
734,753	A *	7/1903	Rivers	.....	215/356
778,593	A *	12/1904	Maconnell	.....	215/299
801,109	A *	10/1905	Roosevelt	.....	215/276
1,384,038	A *	7/1921	Becker	.....	4/295
1,467,772	A *	9/1923	Appelhoff	.....	4/291
1,496,595	A *	6/1924	Pasman	.....	4/287
1,529,833	A *	3/1925	Essick	.....	210/348



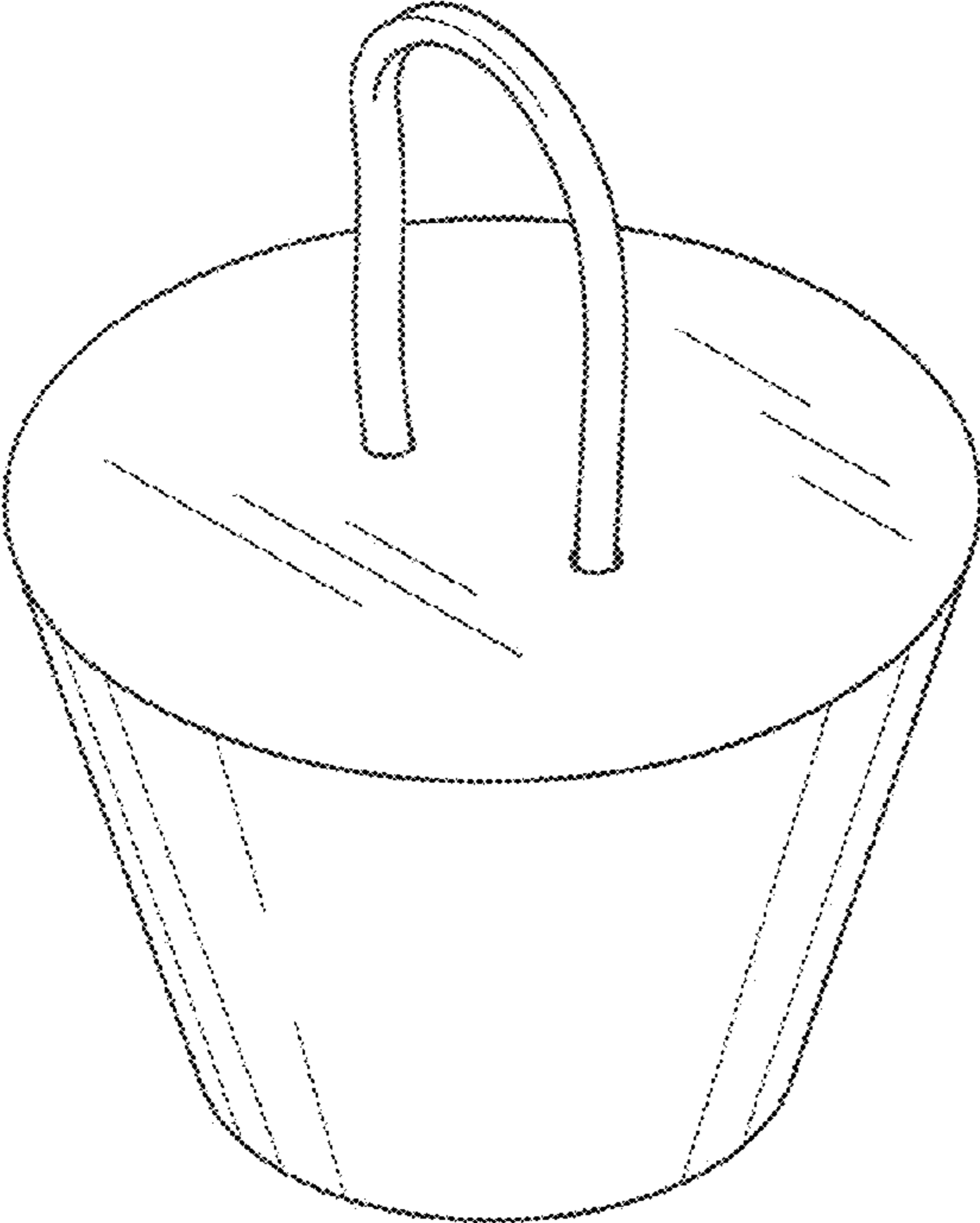


FIG. 1

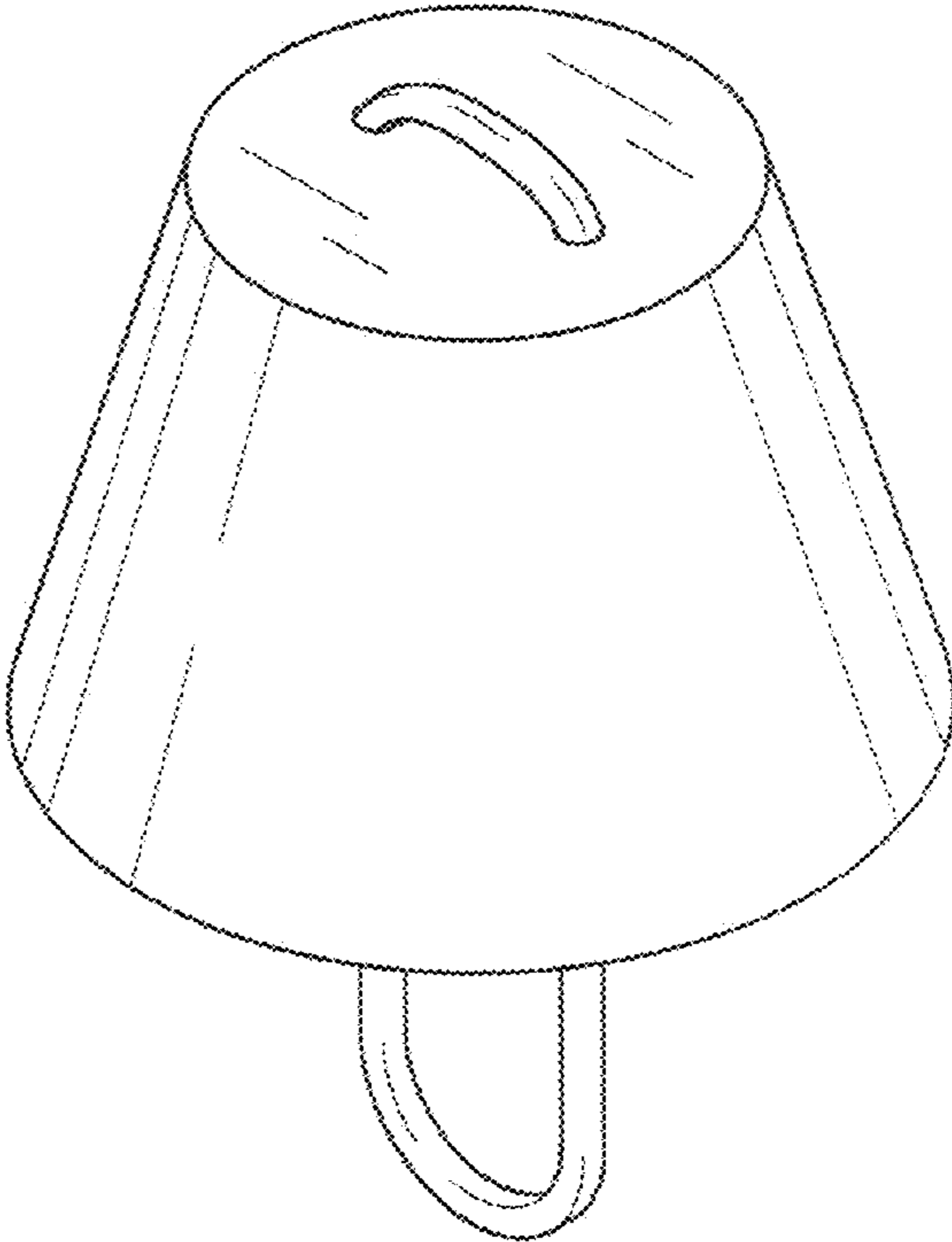


FIG. 2

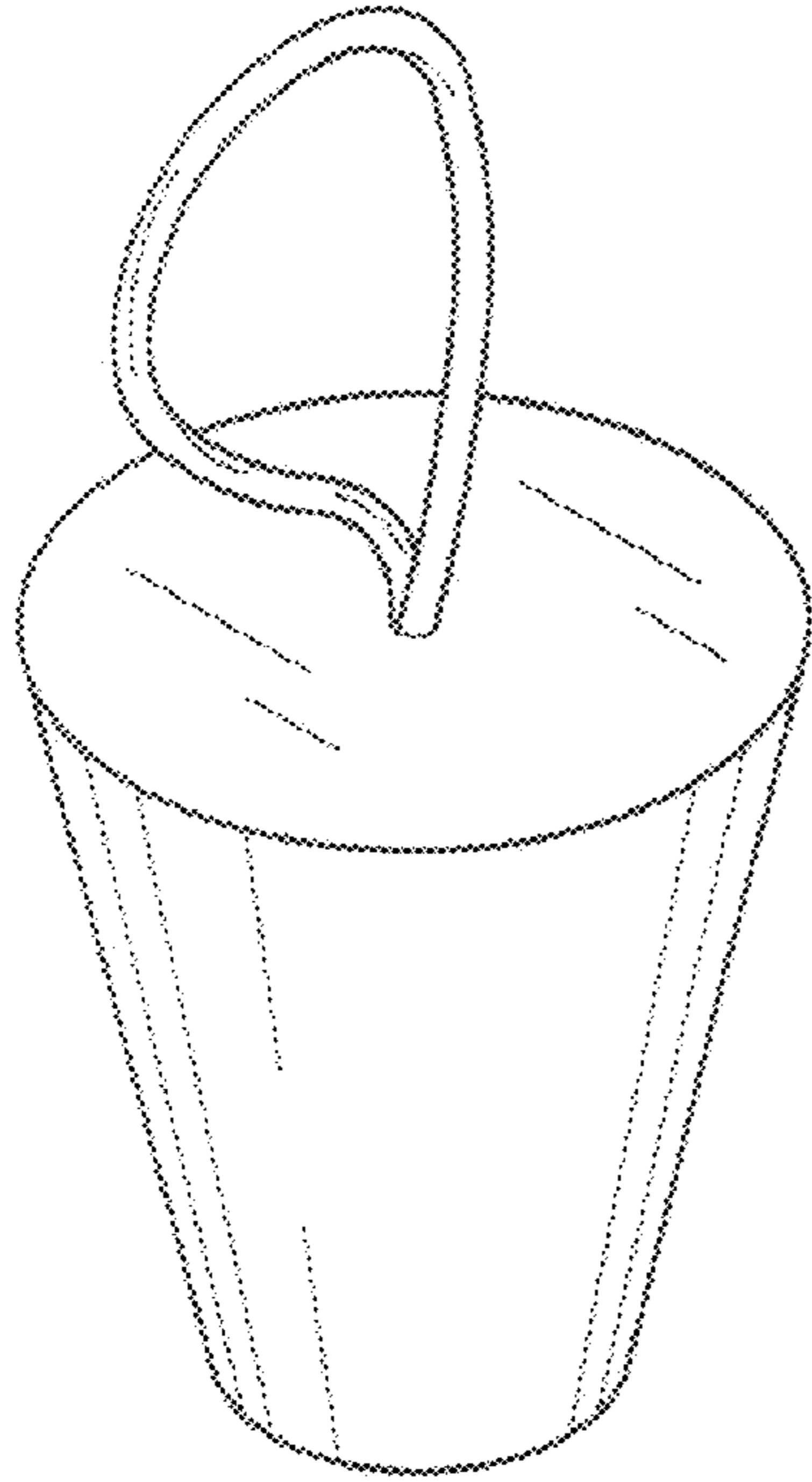


FIG. 3

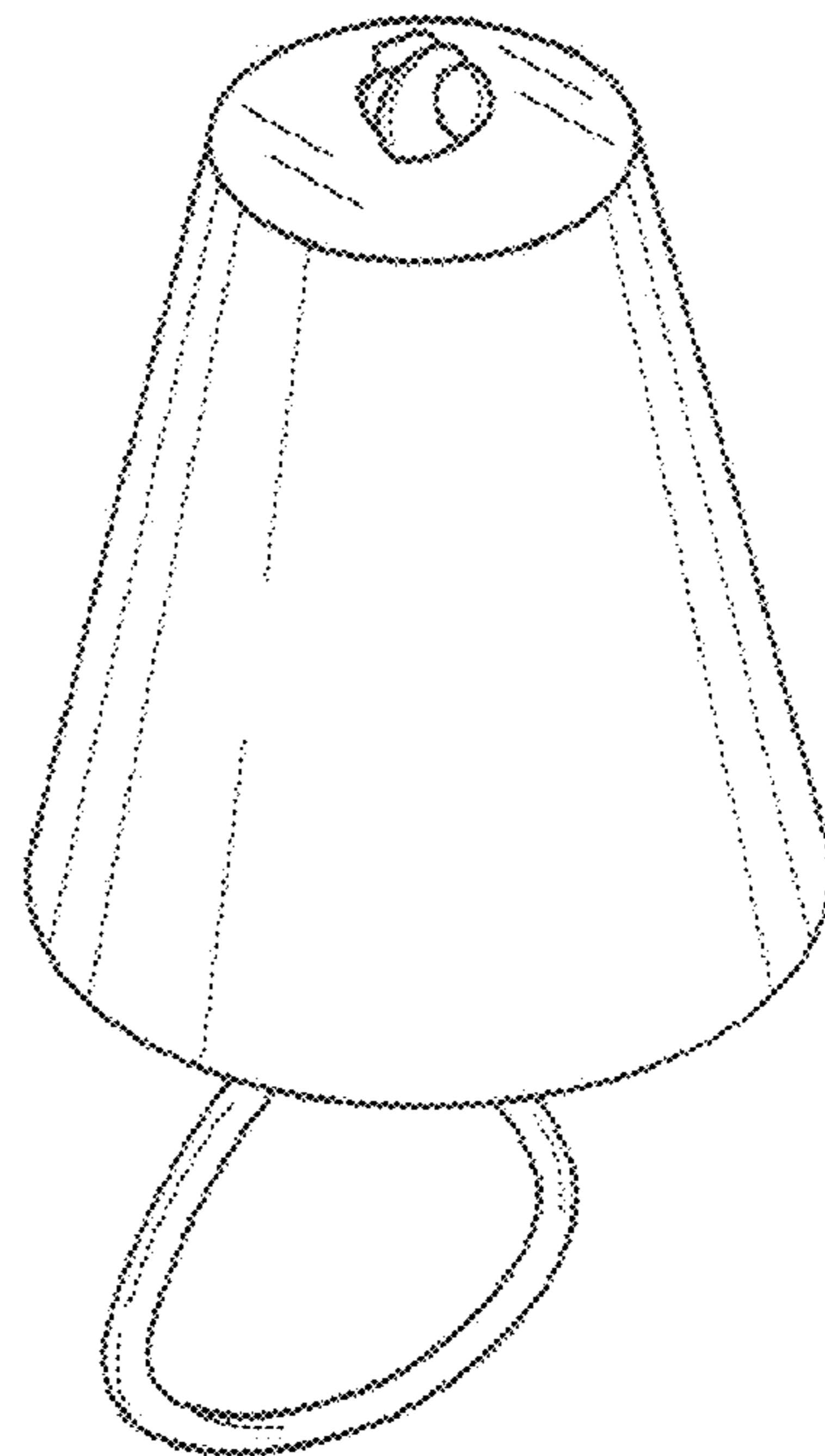


FIG. 4