

US00D663382S

(12) **United States Design Patent**
Chen

(10) **Patent No.:** **US D663,382 S**

(45) **Date of Patent:** **** Jul. 10, 2012**

(54) **WATER SPRINKLER**

(75) Inventor: **Chin-Yuan Chen**, Changhua (TW)

(73) Assignee: **Shin Tai Spurt Water of the Garden Tools Co. Ltd.**, Changhua (TW)

(**) Term: **14 Years**

(21) Appl. No.: **29/402,849**

(22) Filed: **Sep. 28, 2011**

(51) **LOC (9) Cl.** **23-01**

(52) **U.S. Cl.** **D23/226**

(58) **Field of Classification Search** D23/213,
D23/223, 226; 239/526, 527, 532

See application file for complete search history.

(56) **References Cited**

U.S. PATENT DOCUMENTS

D453,548 S *	2/2002	Wang	D23/226
D458,664 S *	6/2002	Wang	D23/226
D462,741 S *	9/2002	Guo	D23/226
D466,187 S *	11/2002	Kuo	D23/226
D469,850 S *	2/2003	Nien	D23/226
D553,224 S *	10/2007	Chih	D23/226

D553,711 S *	10/2007	Chih	D23/226
D604,395 S *	11/2009	Zore	D23/226
D605,251 S *	12/2009	Zore	D23/226
D652,112 S *	1/2012	Chen	D23/226

* cited by examiner

Primary Examiner — Robin V Webster

(74) *Attorney, Agent, or Firm* — Che-Yang Chen; Law Office of Michael Chen

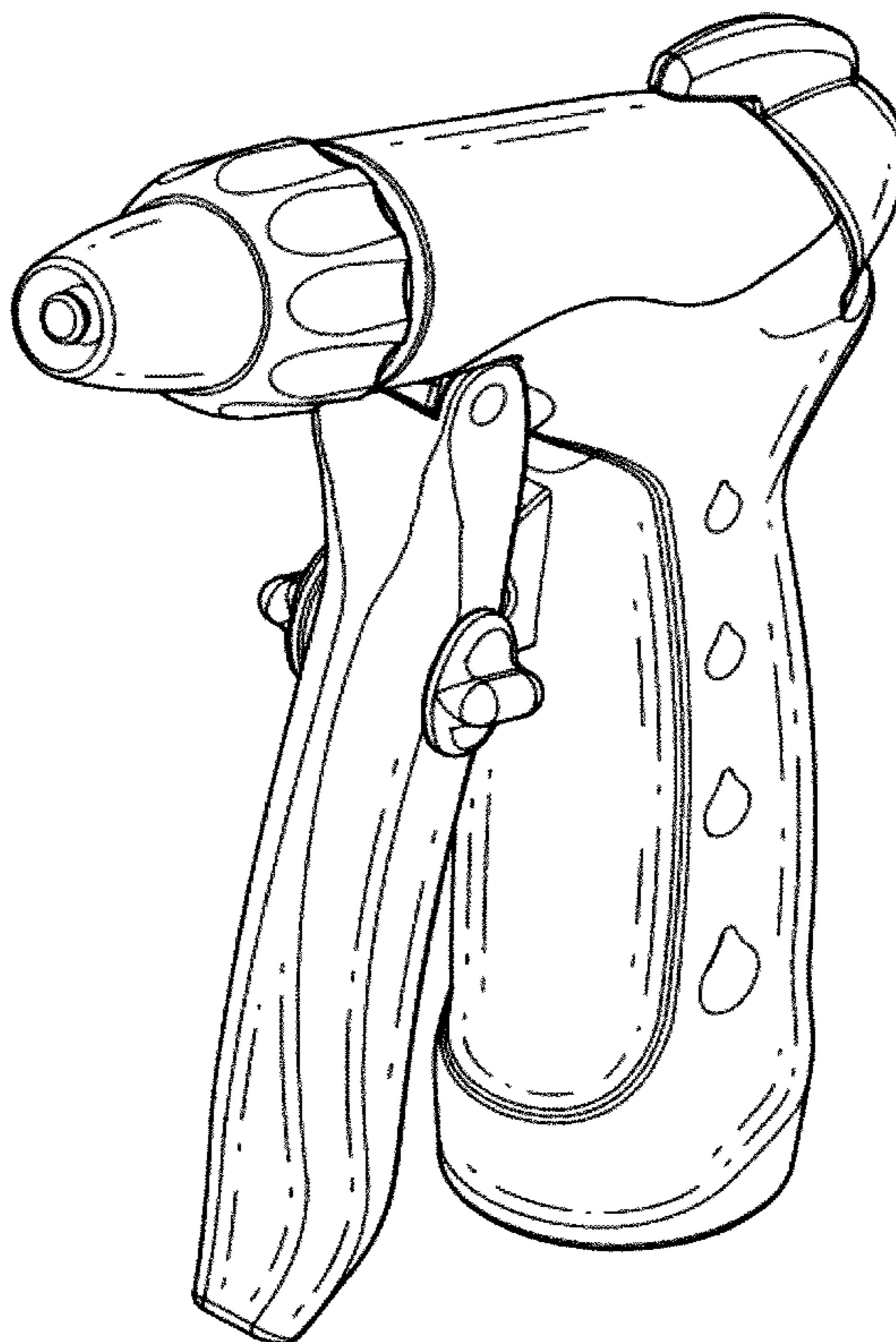
(57) **CLAIM**

The ornamental design for a water sprinkler, as shown and described.

DESCRIPTION

FIG. 1 is a perspective view of a water sprinkler showing my new design;
FIG. 2 is a front view of the embodiment shown in FIG. 1;
FIG. 3 is a rear view of the embodiment shown in FIG. 1;
FIG. 4 is a left side view of the embodiment shown in FIG. 1;
FIG. 5 is a right side view of the embodiment shown in FIG. 1;
FIG. 6 is a top view of the embodiment shown in FIG. 1; and,
FIG. 7 is a bottom view of the embodiment shown in FIG. 1.

1 Claim, 7 Drawing Sheets



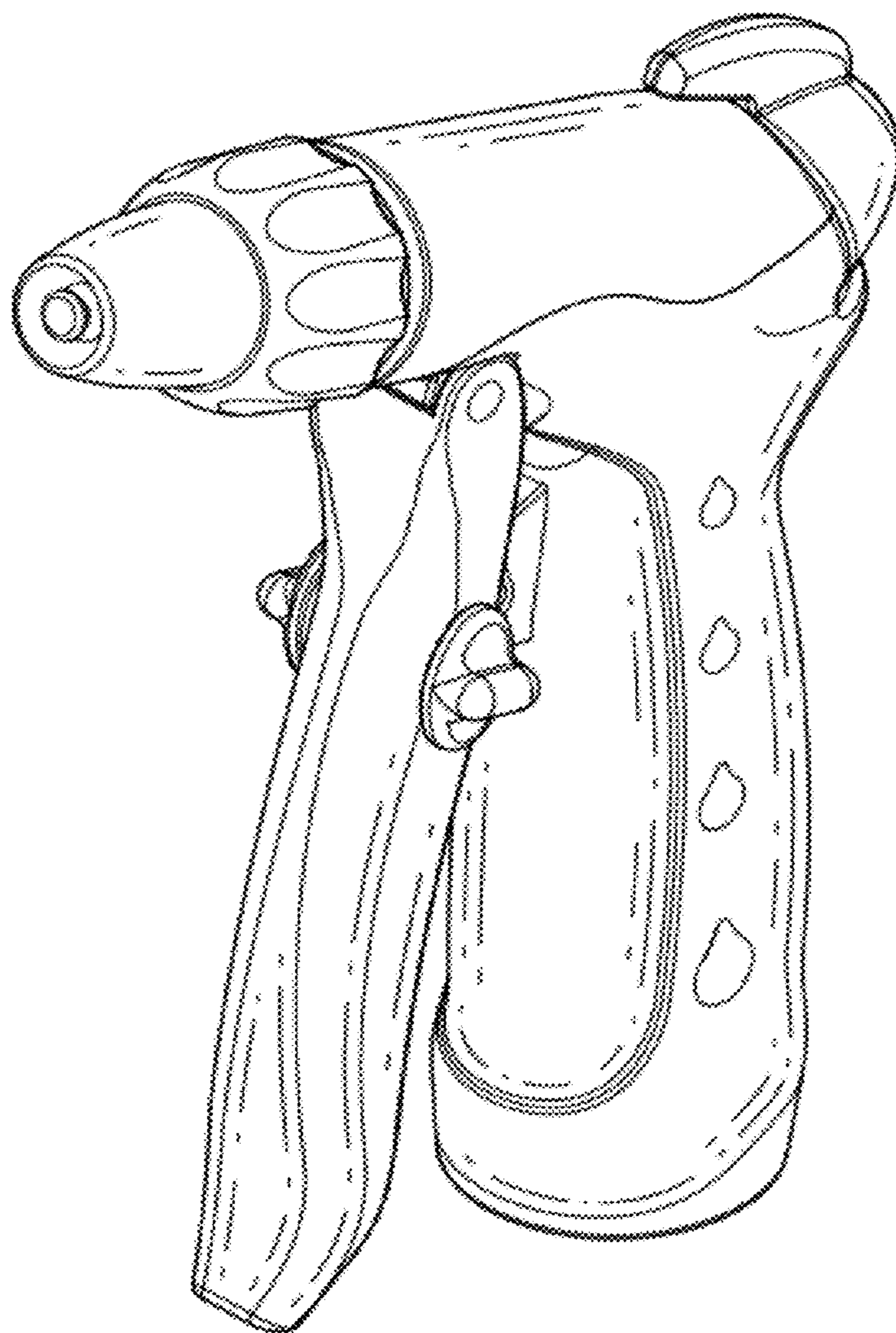


FIG. 1

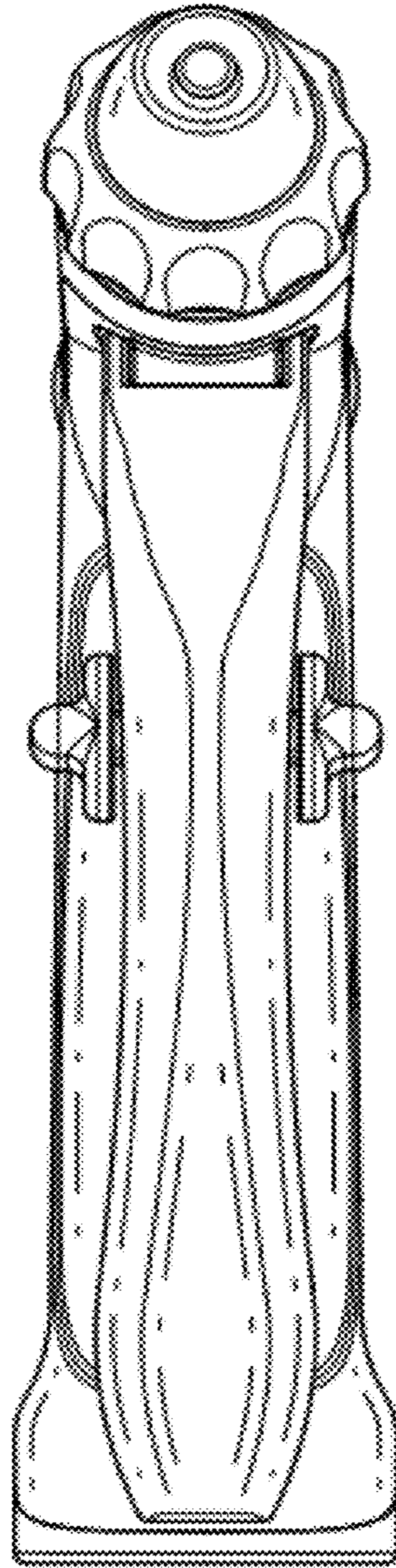


FIG. 2

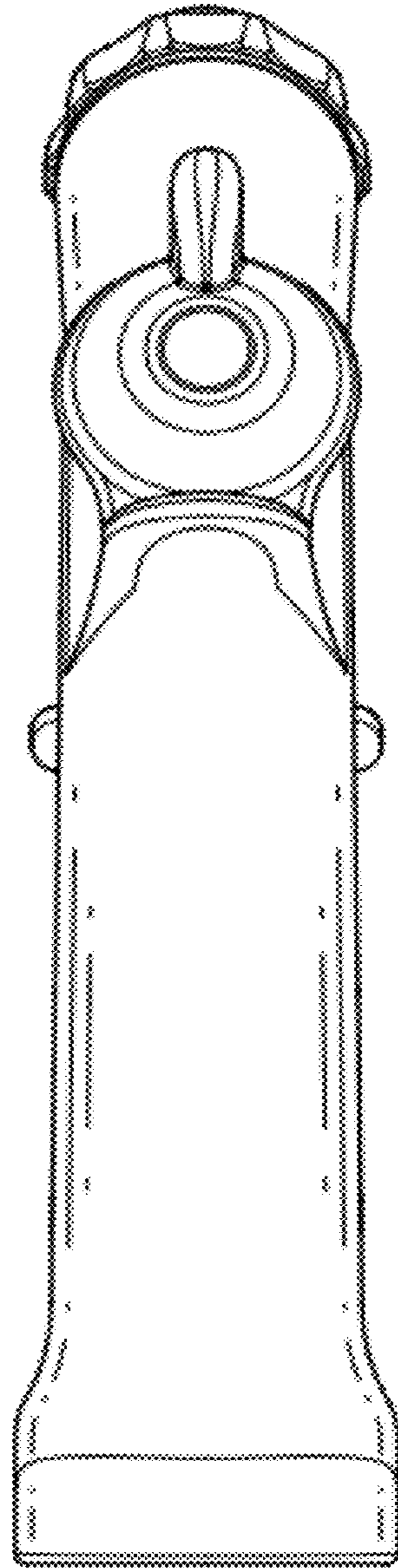


FIG. 3

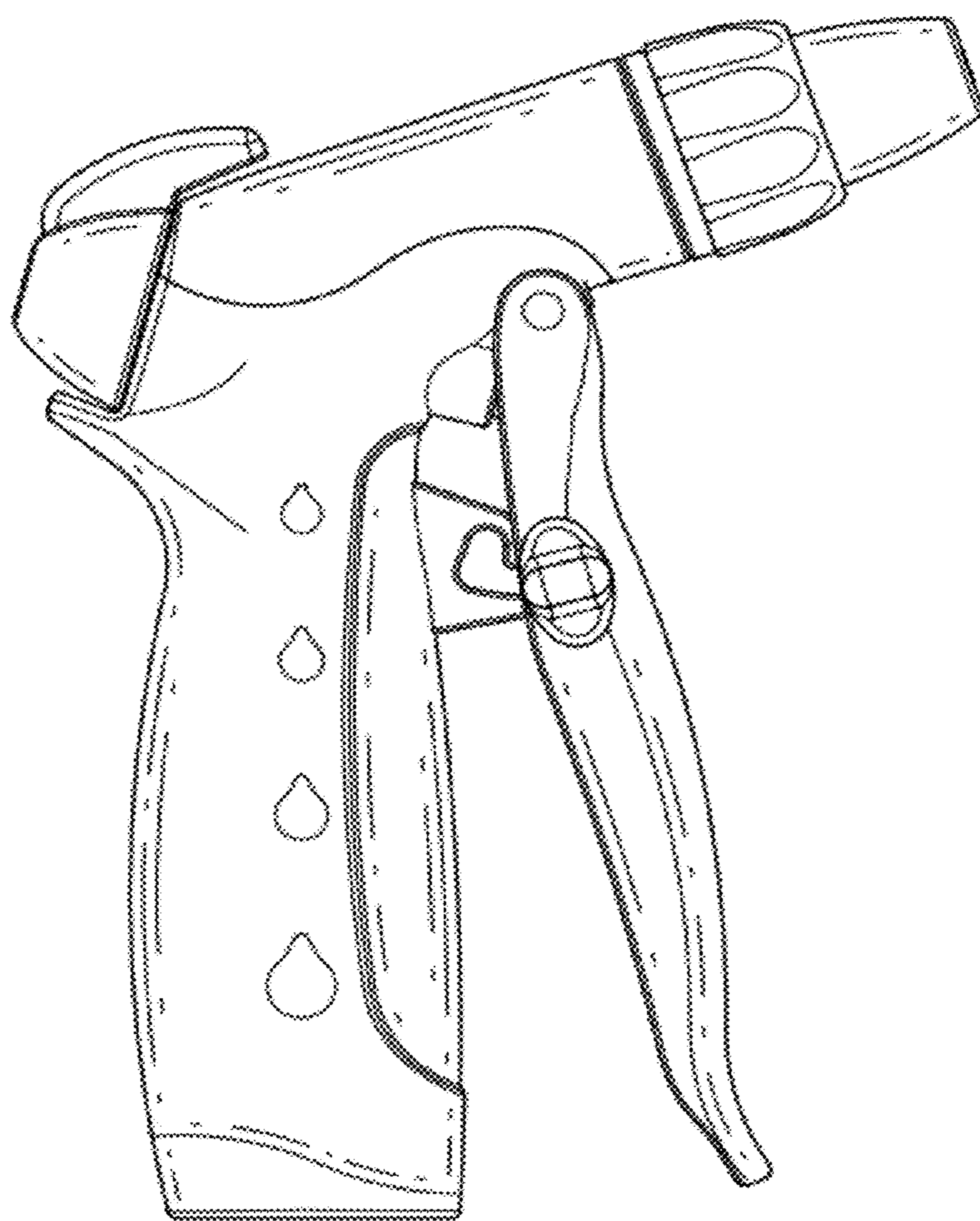


FIG. 4

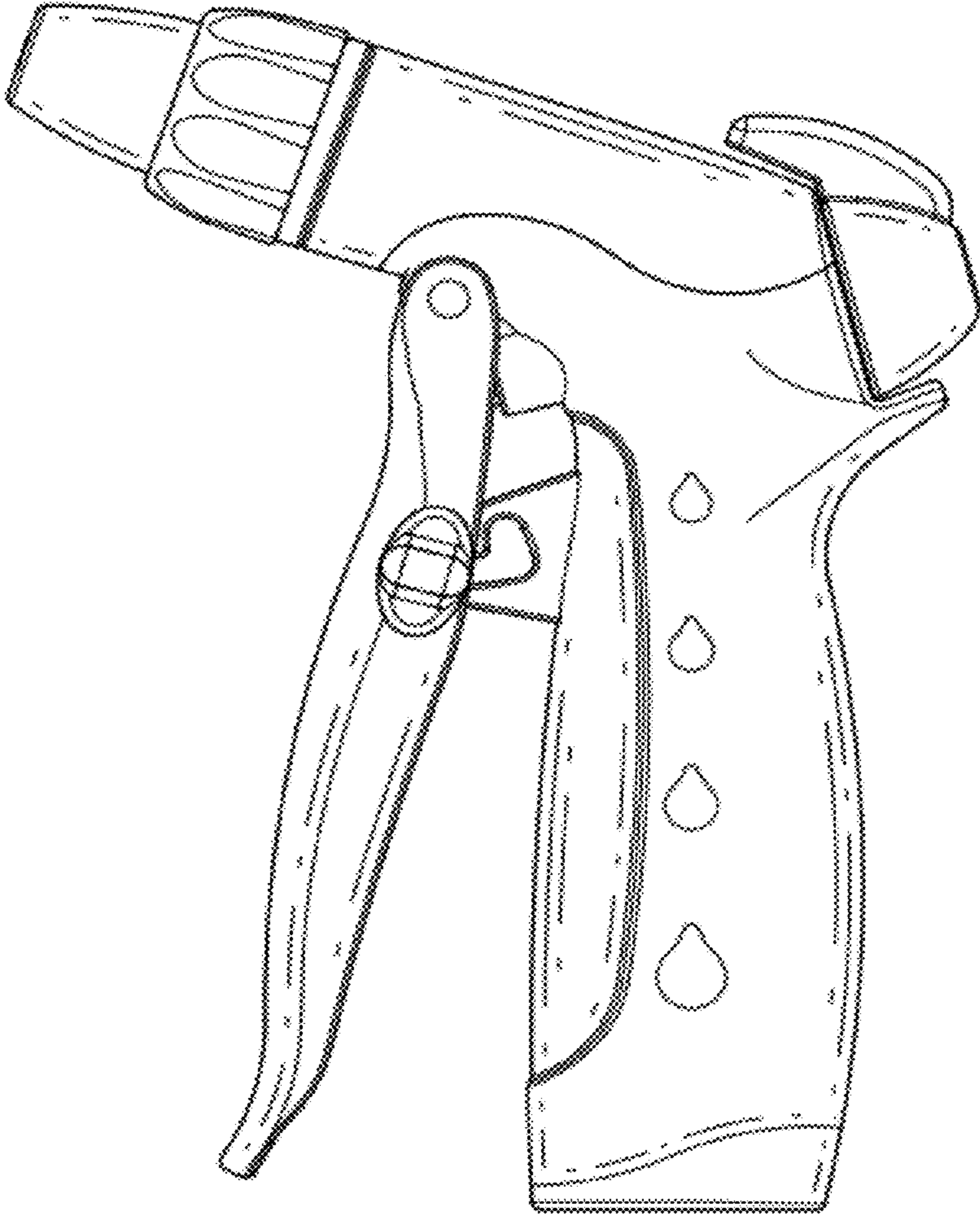


FIG. 5

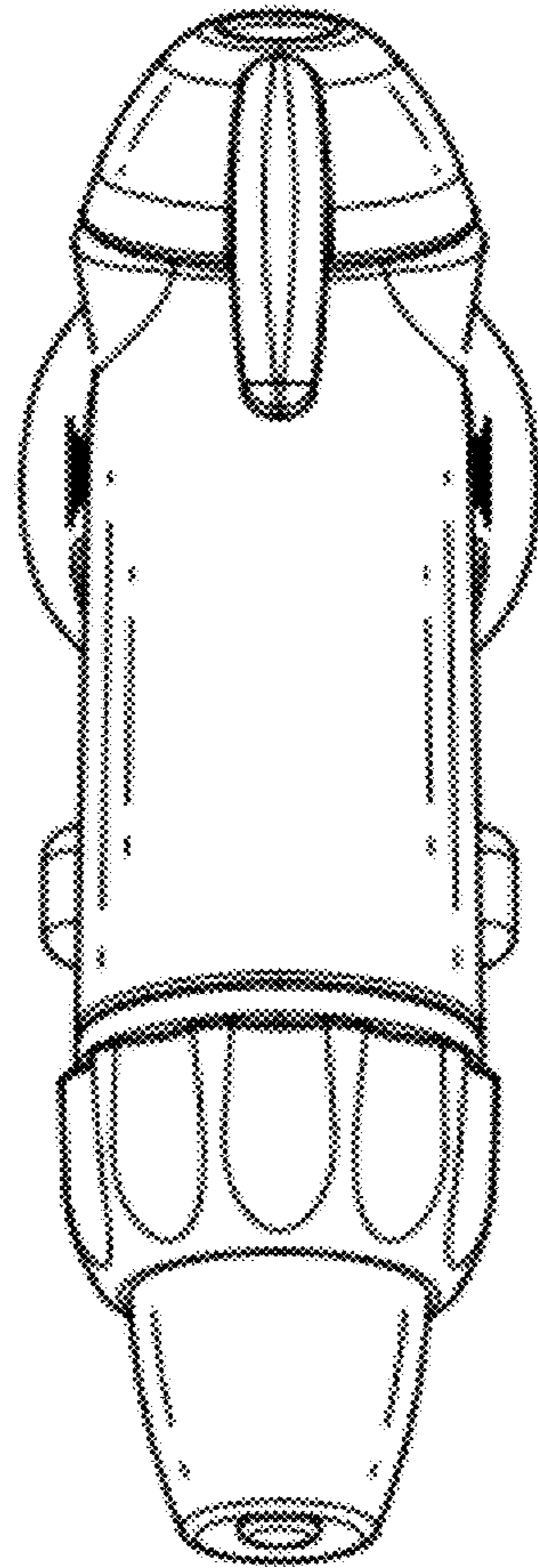


FIG. 6

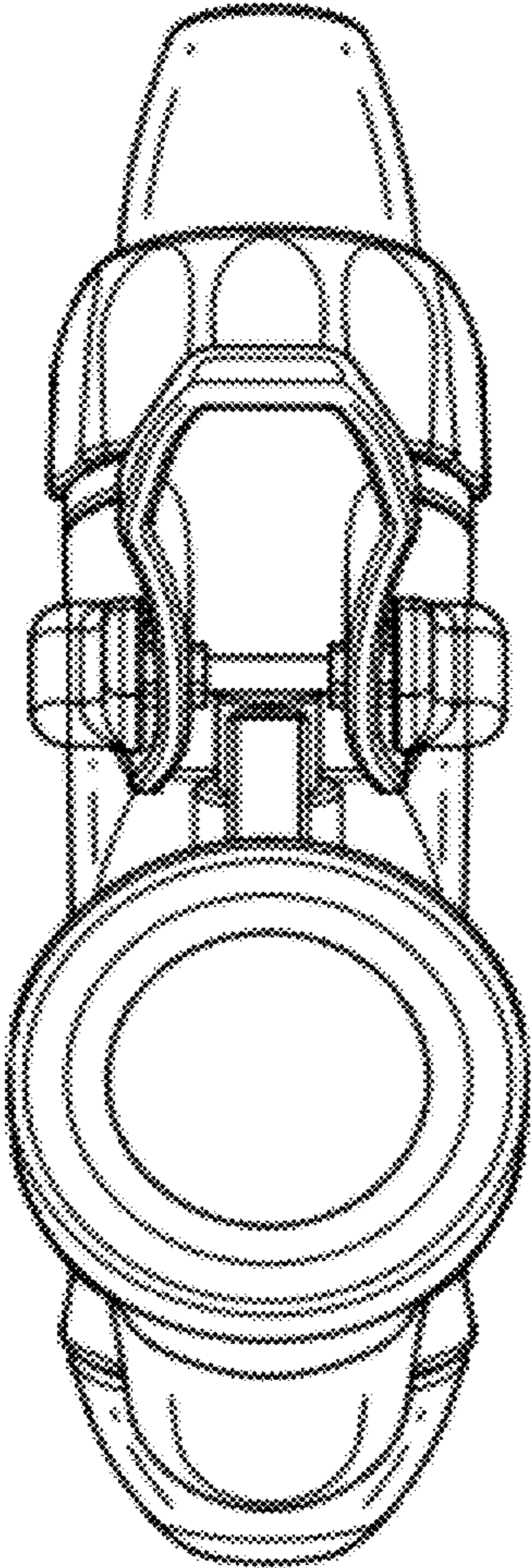


FIG. 7