

US00D663381S

(12) **United States Design Patent**
Parmley

(10) **Patent No.:** **US D663,381 S**
(45) **Date of Patent:** **** Jul. 10, 2012**

(54) **PAINT STAND**

(76) Inventor: **Shelby H. Parmley**, Frankfort, IN (US)

(**) Term: **14 Years**

(21) Appl. No.: **29/377,540**

(22) Filed: **Oct. 22, 2010**

(51) **LOC (9) Cl.** **23-01**

(52) **U.S. Cl.** **D23/225**

(58) **Field of Classification Search** D23/213,
D23/225, 202; 239/308, 310, 332, 333, 373,
239/337, DIG. 14; 222/160, 166; 248/176.1,
248/125.1, 129

See application file for complete search history.

Plastic-Mart—2½ Gallon Specialty Rinse Tank : 2½ Gallons—866-310-2556—<http://www.plastic-mart.com/class.php?item=1710>.

* cited by examiner

Primary Examiner — Robin V Webster

(74) *Attorney, Agent, or Firm* — Woodard Emhardt Moriarty McNett & Henry LLP

(57) **CLAIM**

The ornamental design for a paint stand, as shown and described.

(56) **References Cited**

U.S. PATENT DOCUMENTS

2,580,623	A *	1/1952	Wahl	248/129
4,027,787	A *	6/1977	Bibeau et al.	222/166
6,715,647	B1 *	4/2004	Ivins	222/166
6,962,271	B2 *	11/2005	Gregson, Jr.	222/166
D616,065	S *	5/2010	Gundersen et al.	D23/225
D646,752	S *	10/2011	Krayer et al.	D23/225

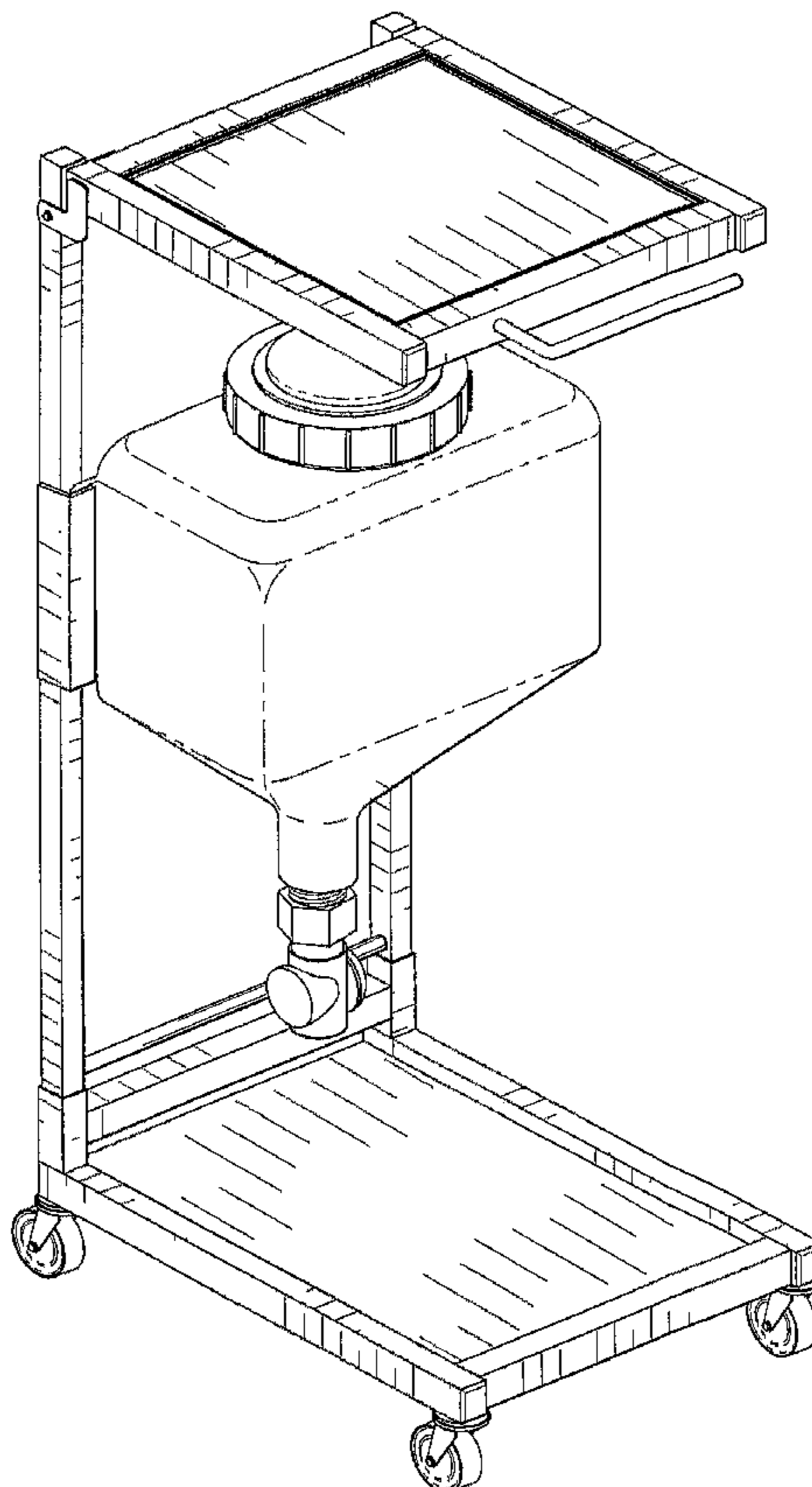
OTHER PUBLICATIONS

KBI—King Bros. Industries, PVC, CPVC Plastic Valves and Fittings—1-800-325-9468—http://www.kbico.com/product_info.php?cPath=21_26&products_id=223.

DESCRIPTION

FIG. 1 is a perspective view of the paint stand incorporating my new design;
FIG. 2 is a left view thereof;
FIG. 3 is a front view thereof;
FIG. 4 is a right view thereof;
FIG. 5 is a rear view thereof;
FIG. 6 is a top view thereof; and,
FIG. 7 is a bottom view thereof.

1 Claim, 4 Drawing Sheets



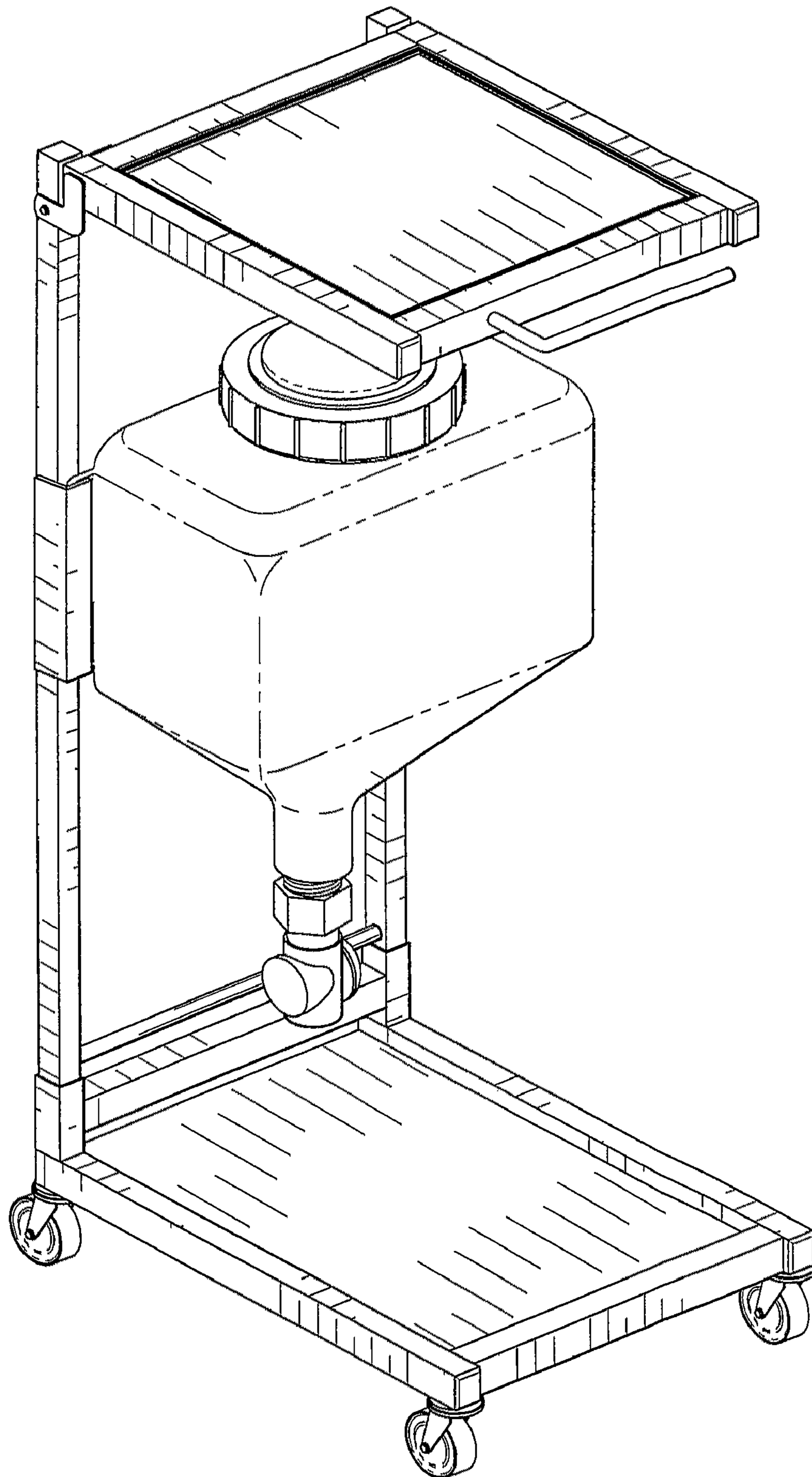


Fig. 1

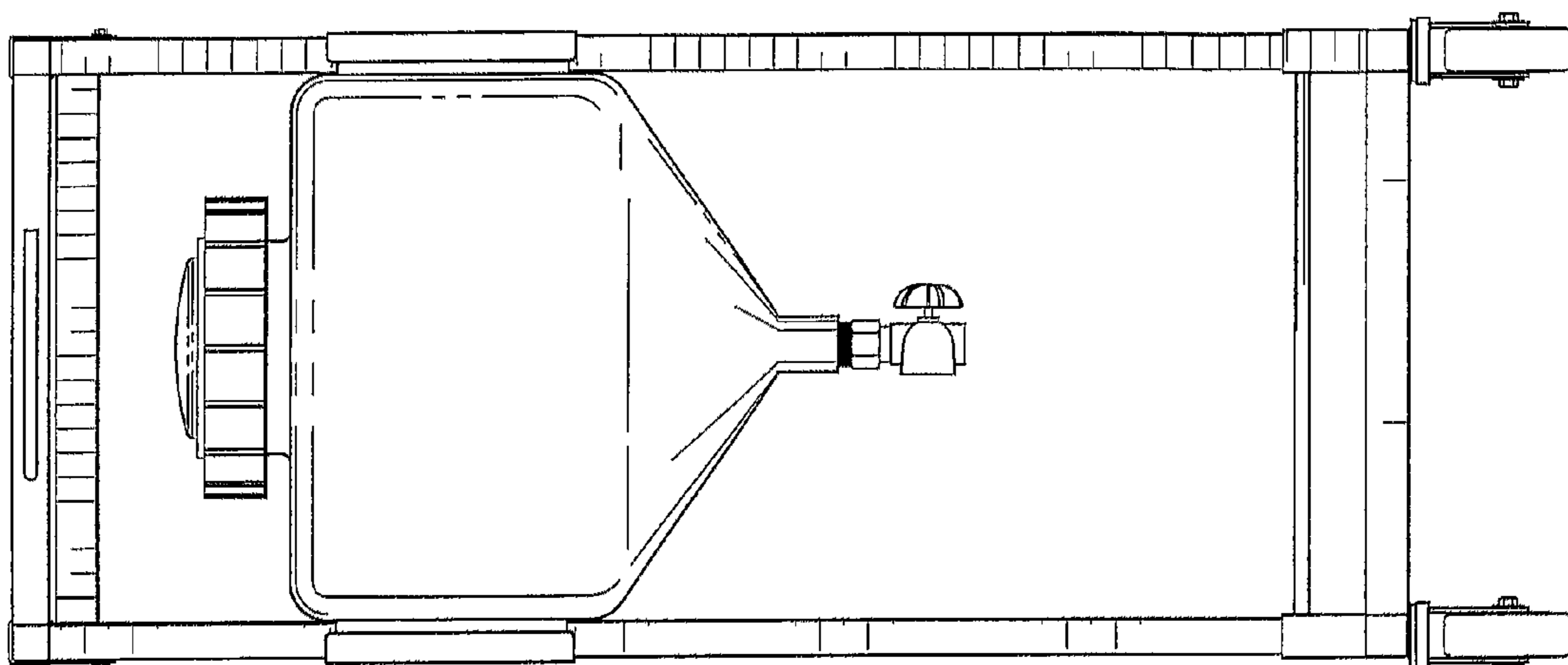


Fig. 3

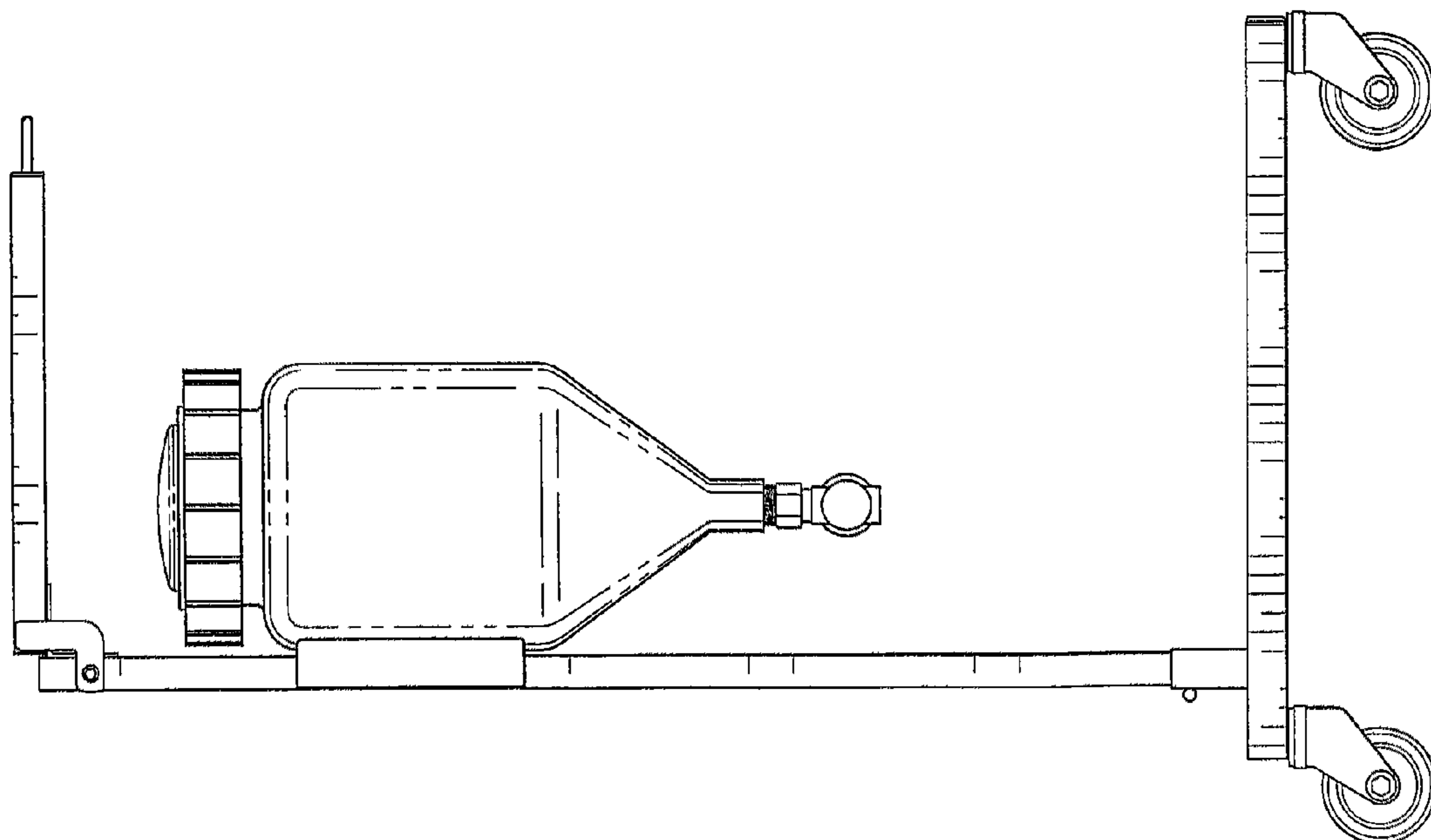


Fig. 2

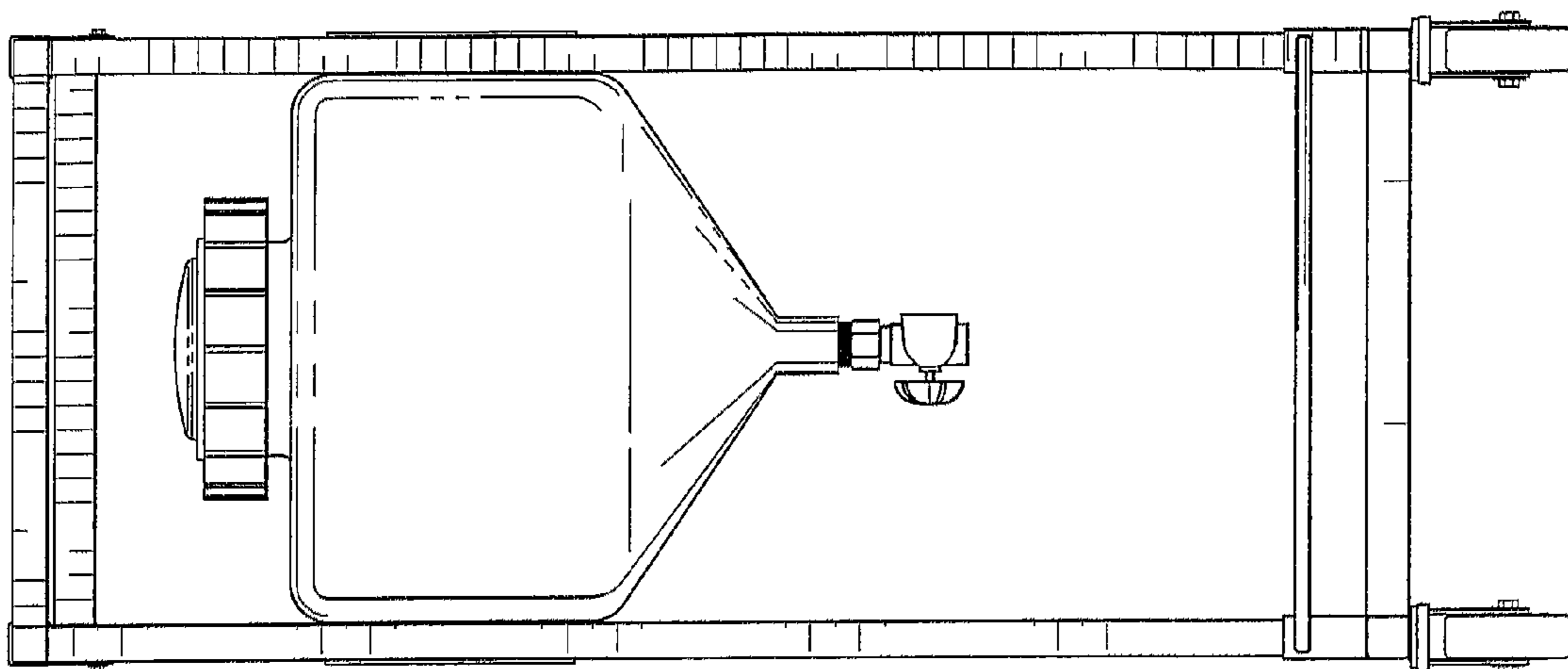


Fig. 5

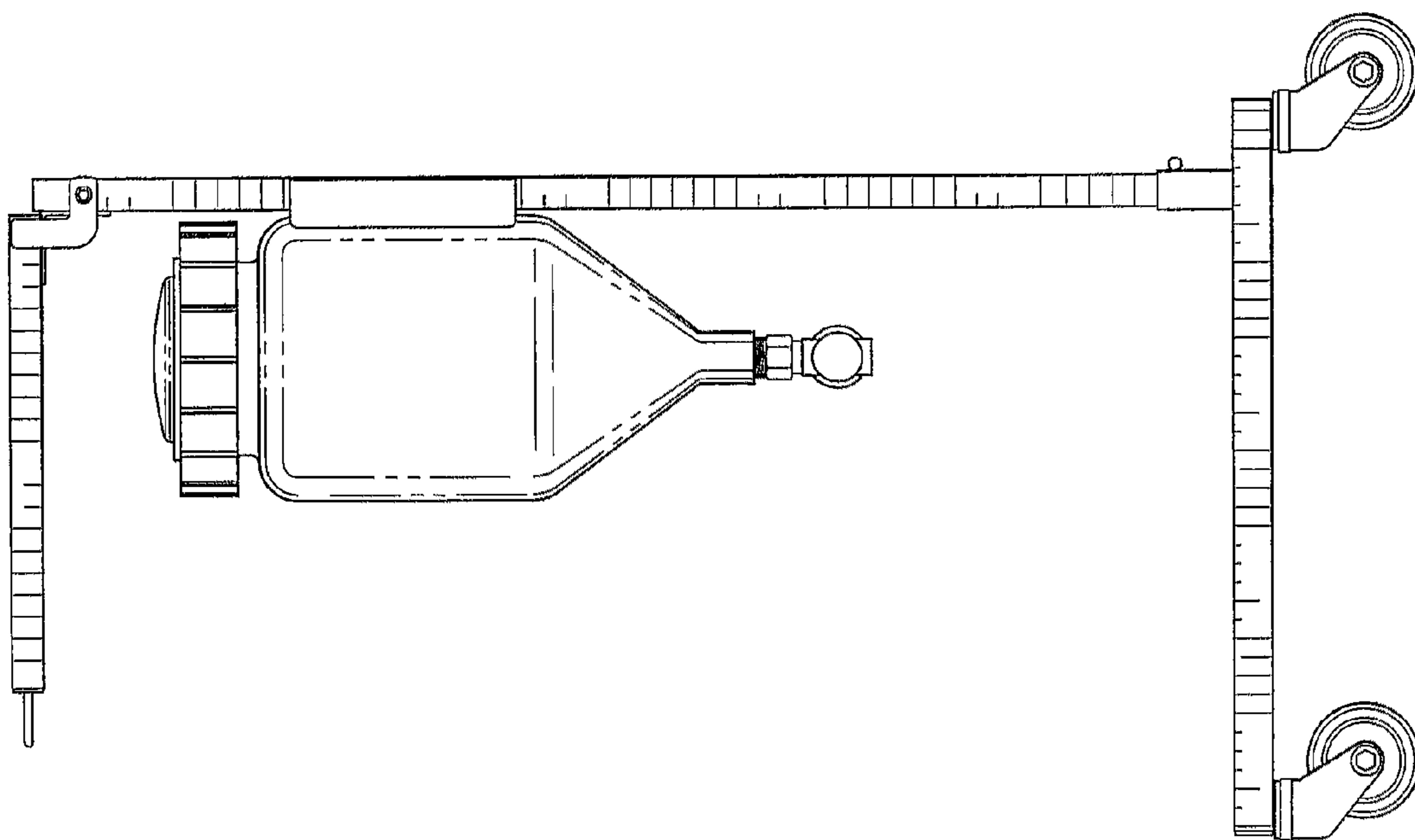


Fig. 4

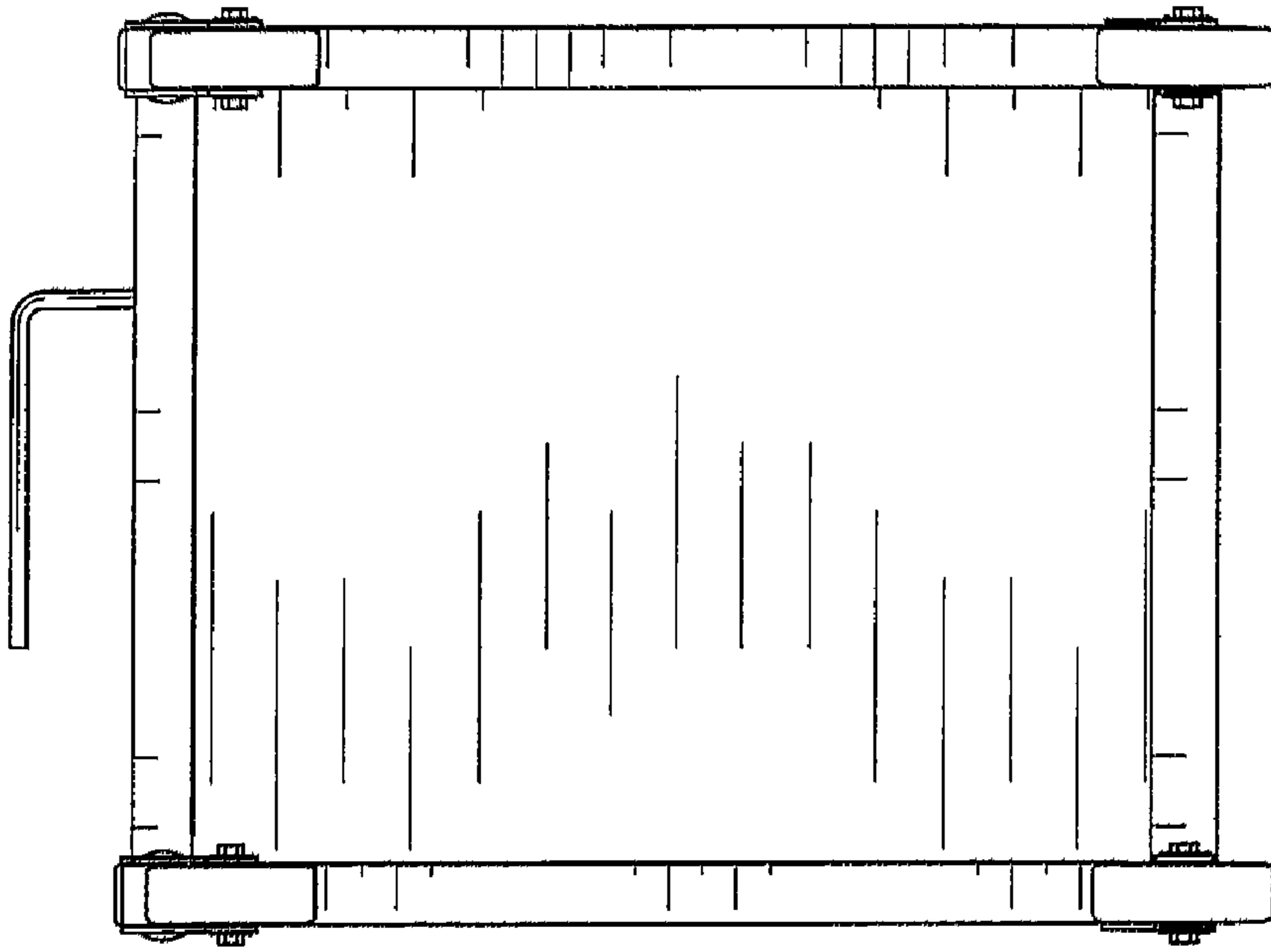


Fig. 7

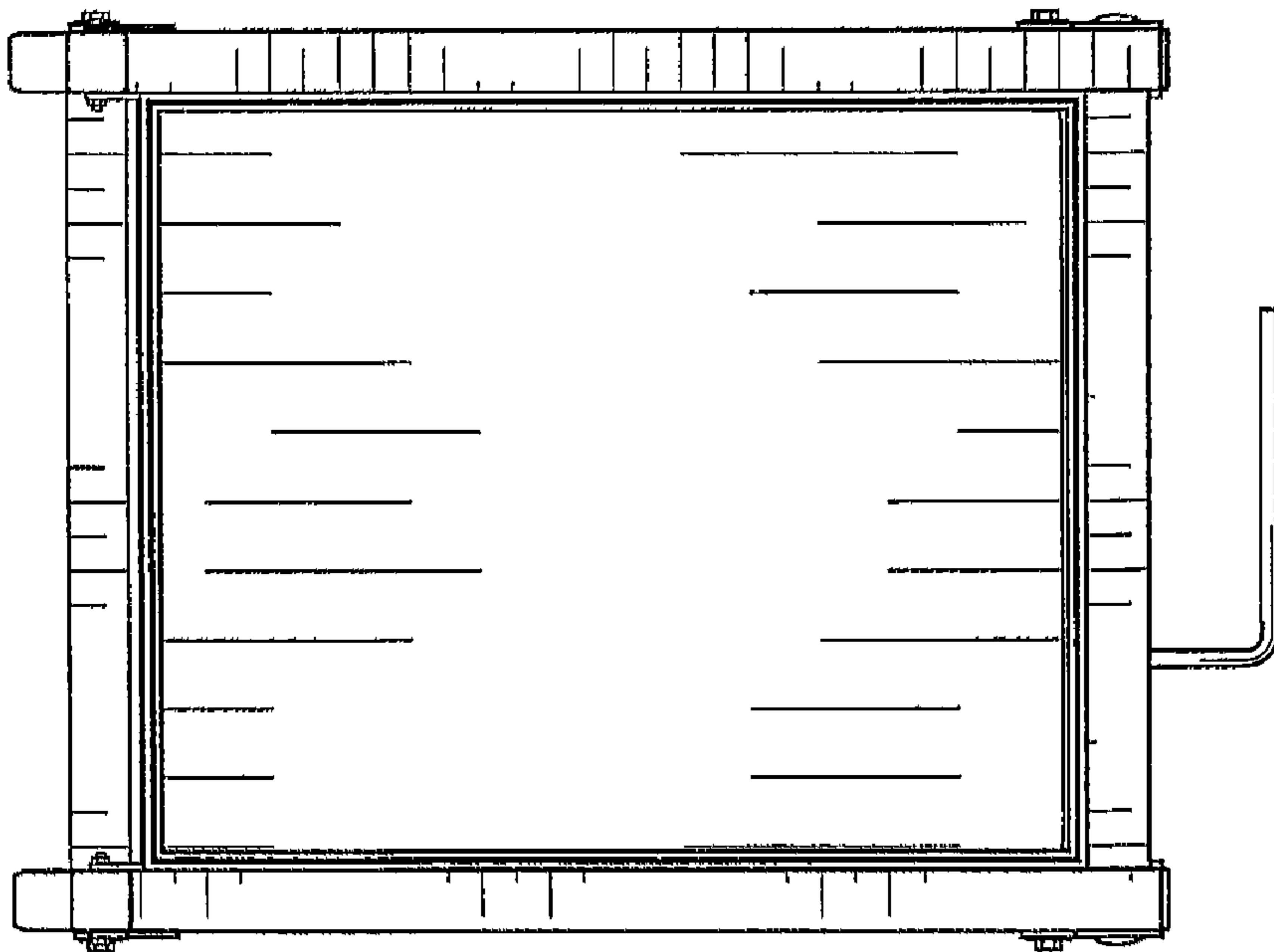


Fig. 6