



US00D663379S

(12) **United States Design Patent**  
**Muller**

(10) **Patent No.:** **US D663,379 S**

(45) **Date of Patent:** **\*\* Jul. 10, 2012**

(54) **WATER FILTER**

(75) Inventor: **Peter Muller**, Hagglingen (CH)

(73) Assignee: **Societe des Produits Nestle S.A.**, Vevey (CH)

(\*\*) Term: **14 Years**

(21) Appl. No.: **29/390,790**

(22) Filed: **Apr. 29, 2011**

(51) **LOC (9) Cl.** ..... **23-01**

(52) **U.S. Cl.** ..... **D23/209**

(58) **Field of Classification Search** ..... D23/207,  
D23/209; 210/232, 241, 650

See application file for complete search history.

(56) **References Cited**

U.S. PATENT DOCUMENTS

D195,874 S \* 8/1963 Rossen ..... D23/209  
D321,745 S \* 11/1991 Murrell ..... D23/209  
D420,092 S \* 2/2000 Lisseveld ..... D23/207

D423,081 S \* 4/2000 Niermeyer ..... D23/209  
7,318,898 B2 \* 1/2008 Sabottke ..... 210/650  
7,510,088 B2 \* 3/2009 Smith et al. .... 210/456

\* cited by examiner

*Primary Examiner* — Robin V Webster

(74) *Attorney, Agent, or Firm* — K&L Gates LLP

(57) **CLAIM**

The ornamental design for a water filter, as shown and described.

**DESCRIPTION**

FIG. 1 illustrates a right top perspective view of the water filter showing my new design;  
FIG. 2 illustrates a left bottom perspective view thereof;  
FIG. 3 illustrates a front elevation view thereof;  
FIG. 4 illustrates a rear elevation view thereof;  
FIG. 5 illustrates a right side elevation view thereof;  
FIG. 6 illustrates a left side elevation view thereof;  
FIG. 7 illustrates a top view thereof; and,  
FIG. 8 illustrates a bottom view thereof.

**1 Claim, 6 Drawing Sheets**

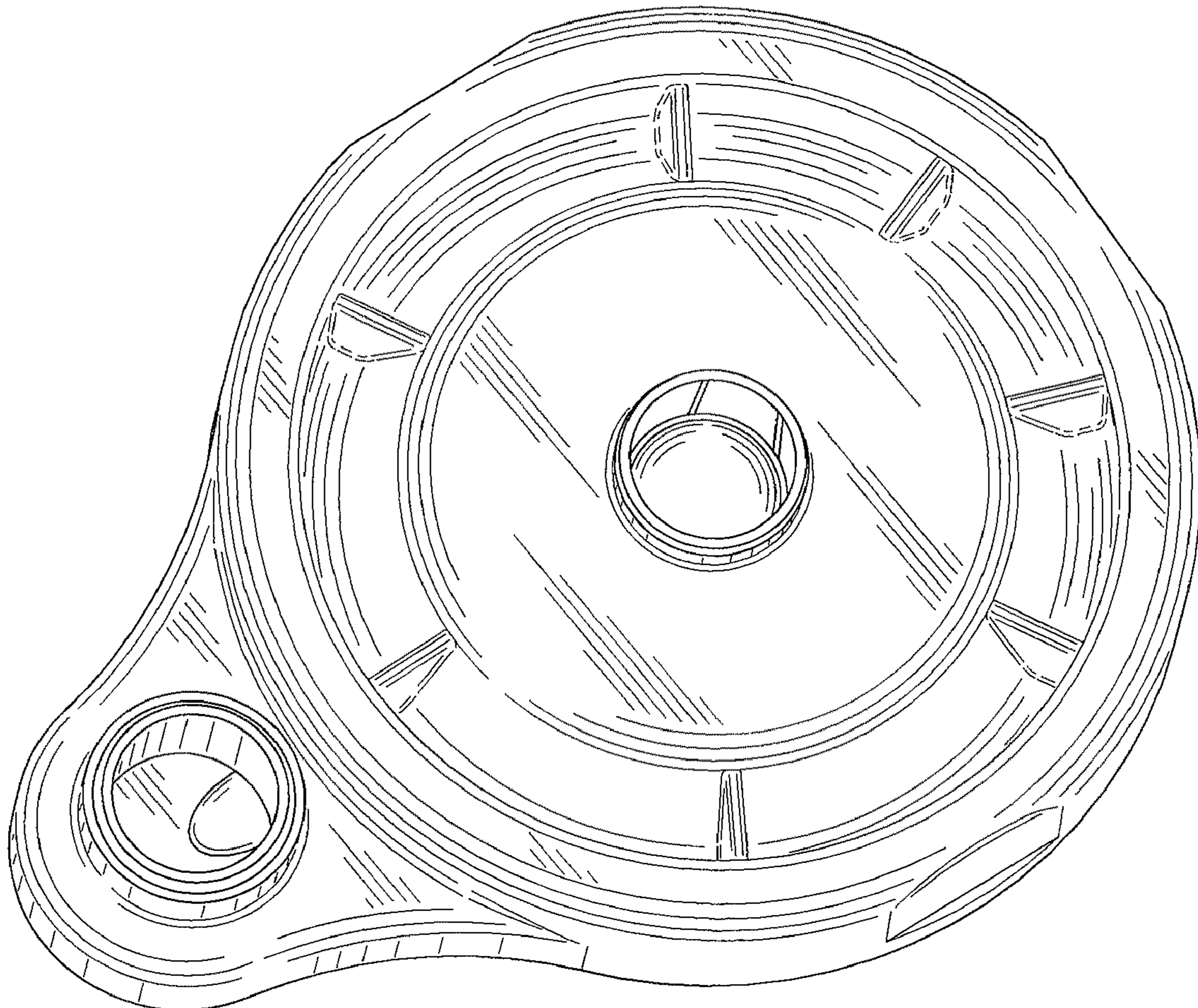


FIG. 1

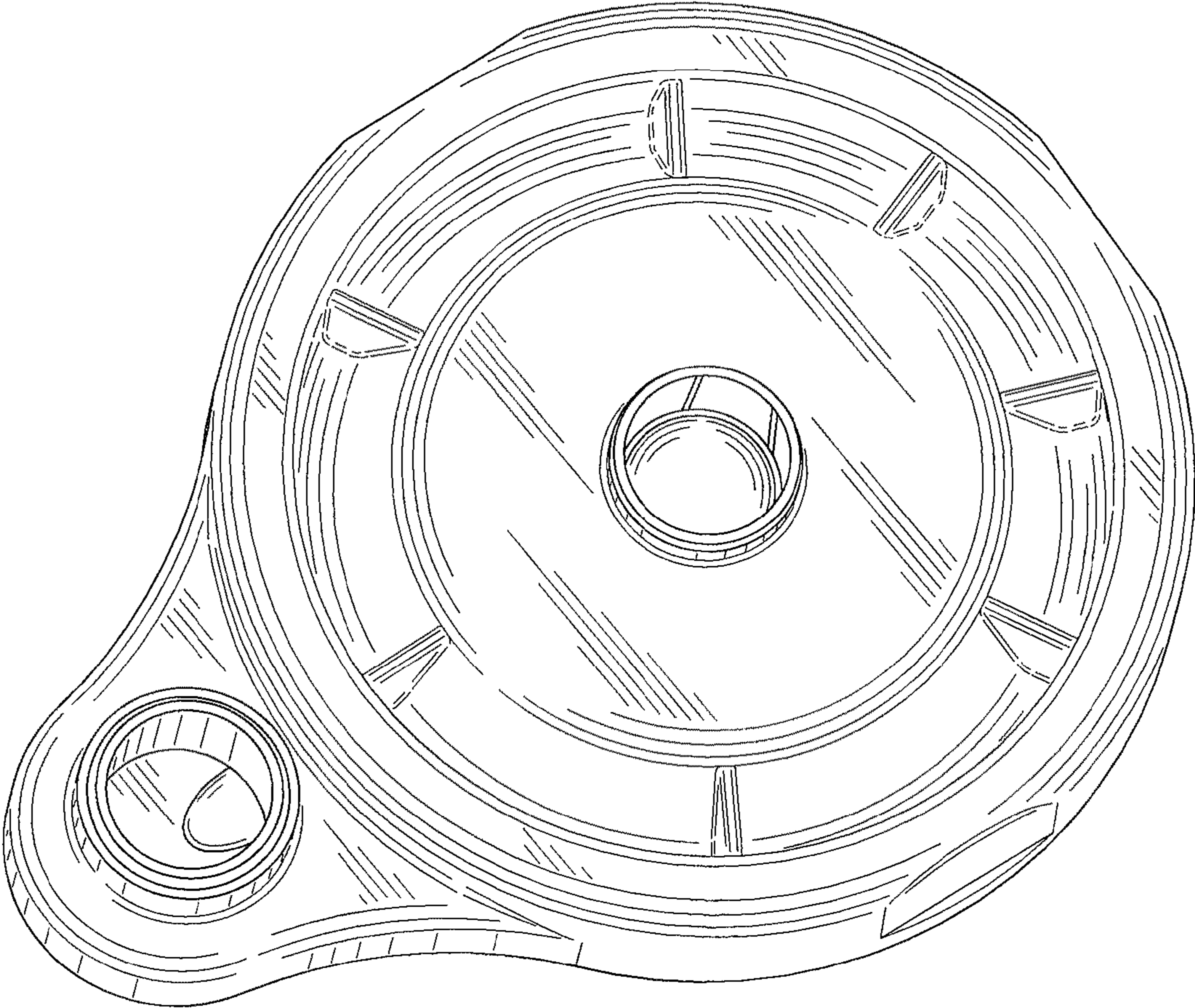


FIG. 2

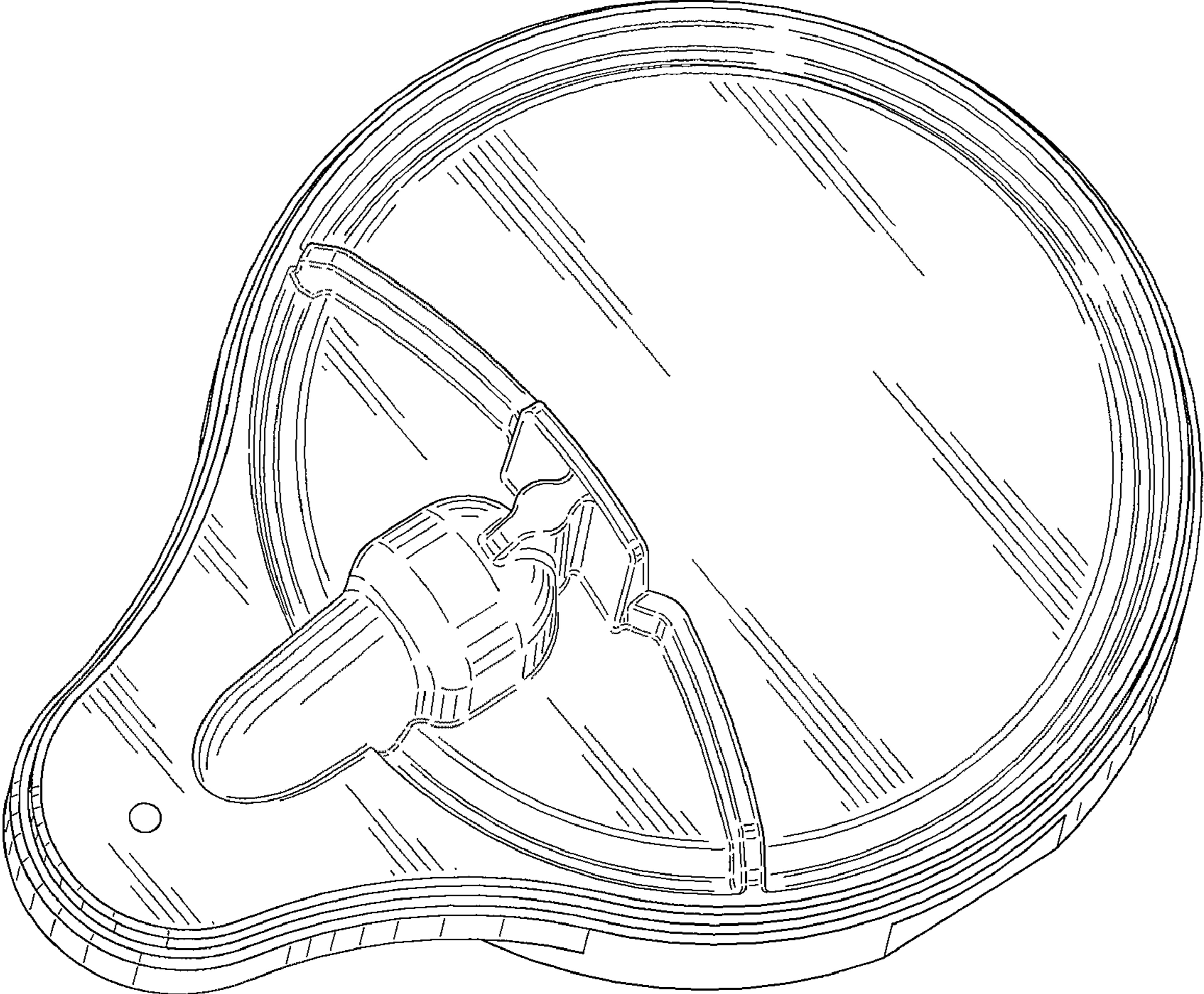


FIG. 3

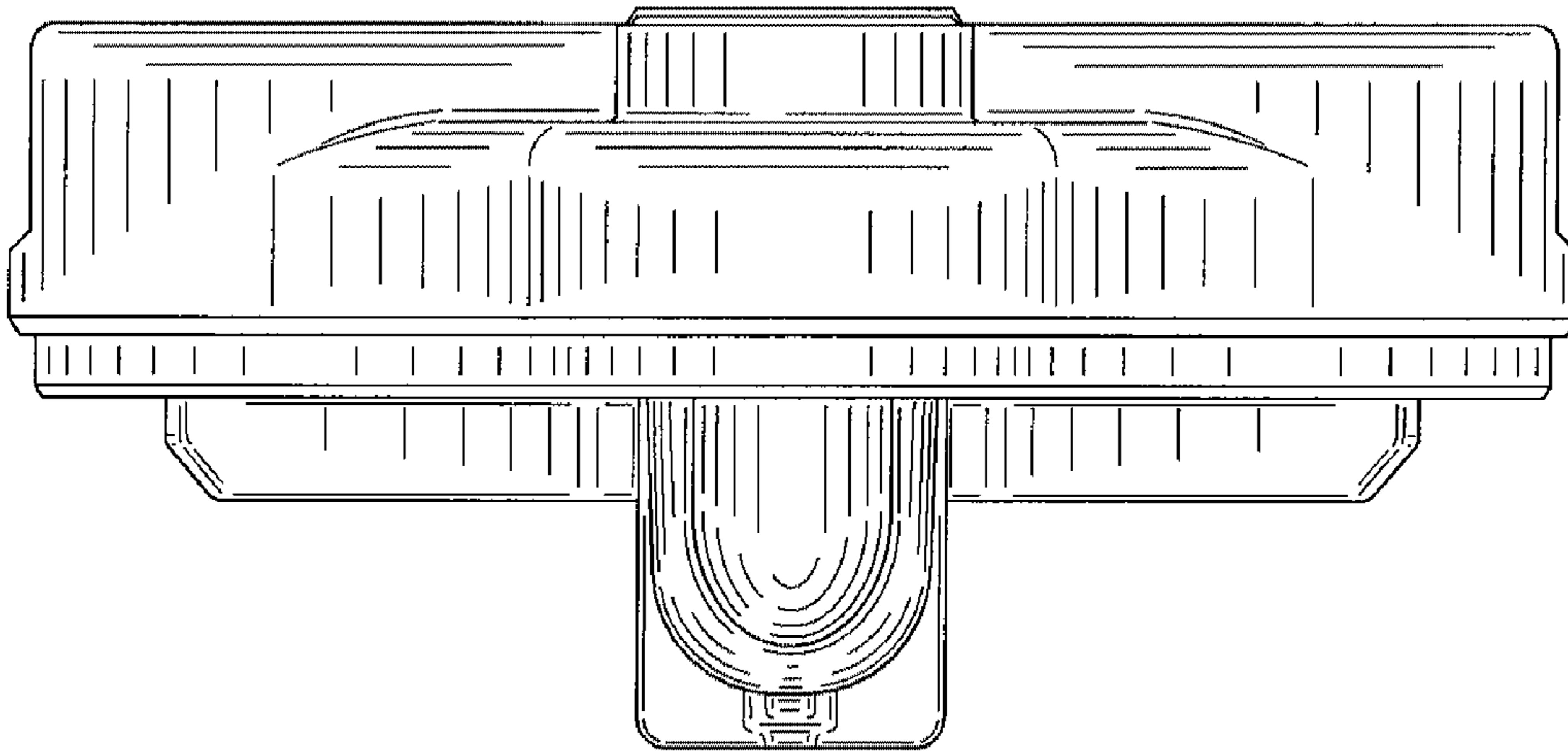


FIG. 4

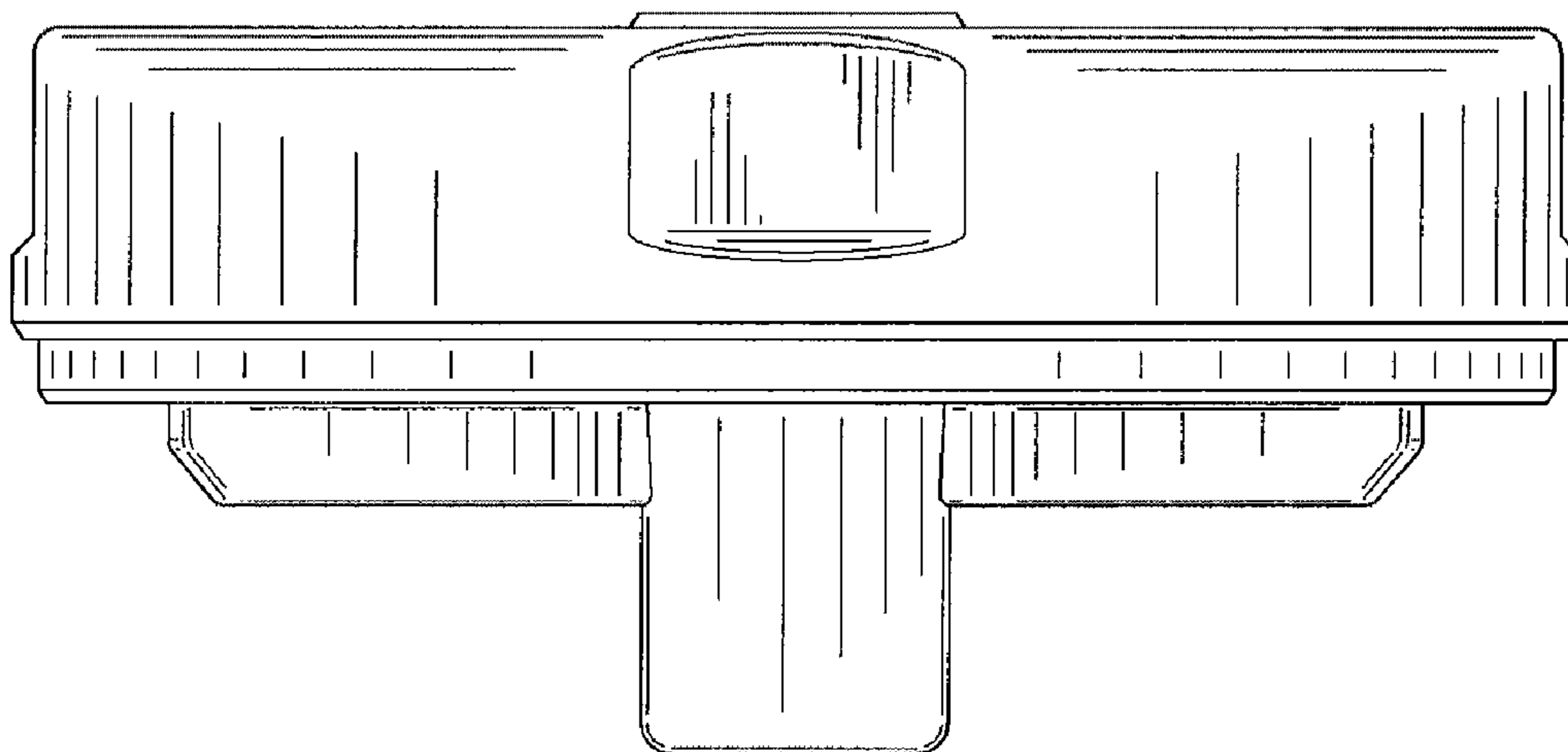


FIG. 5

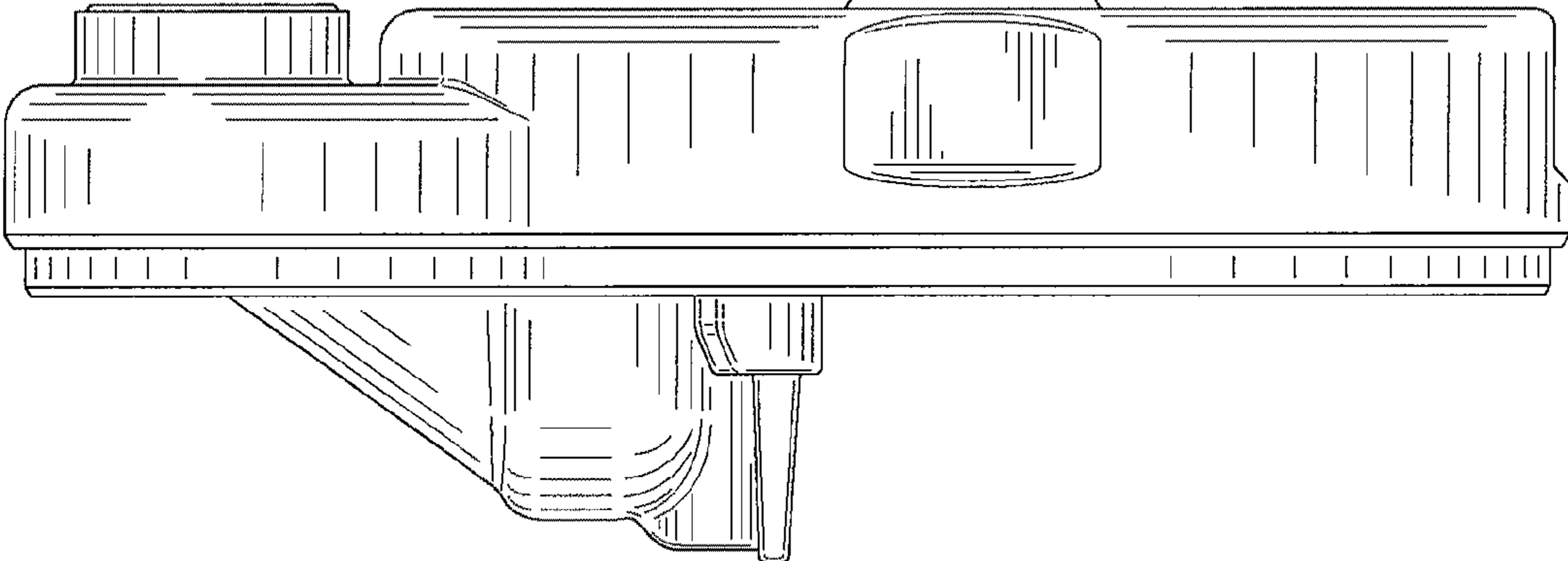


FIG. 6

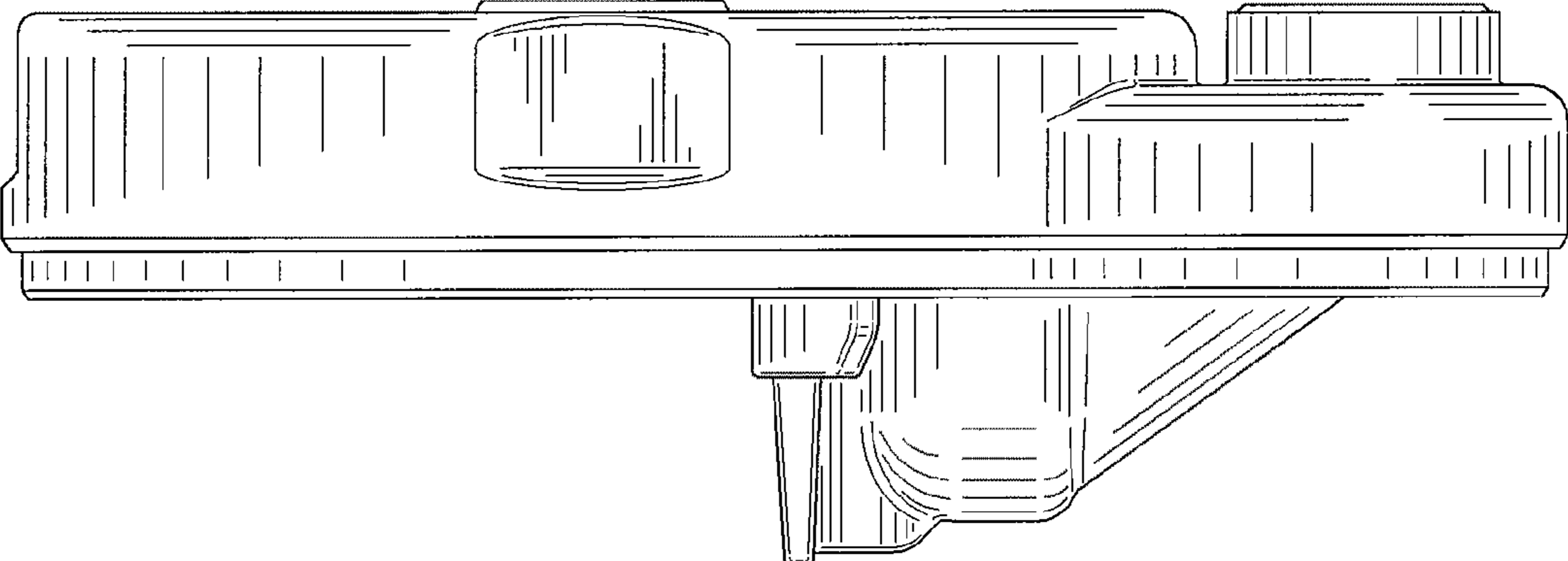


FIG. 7

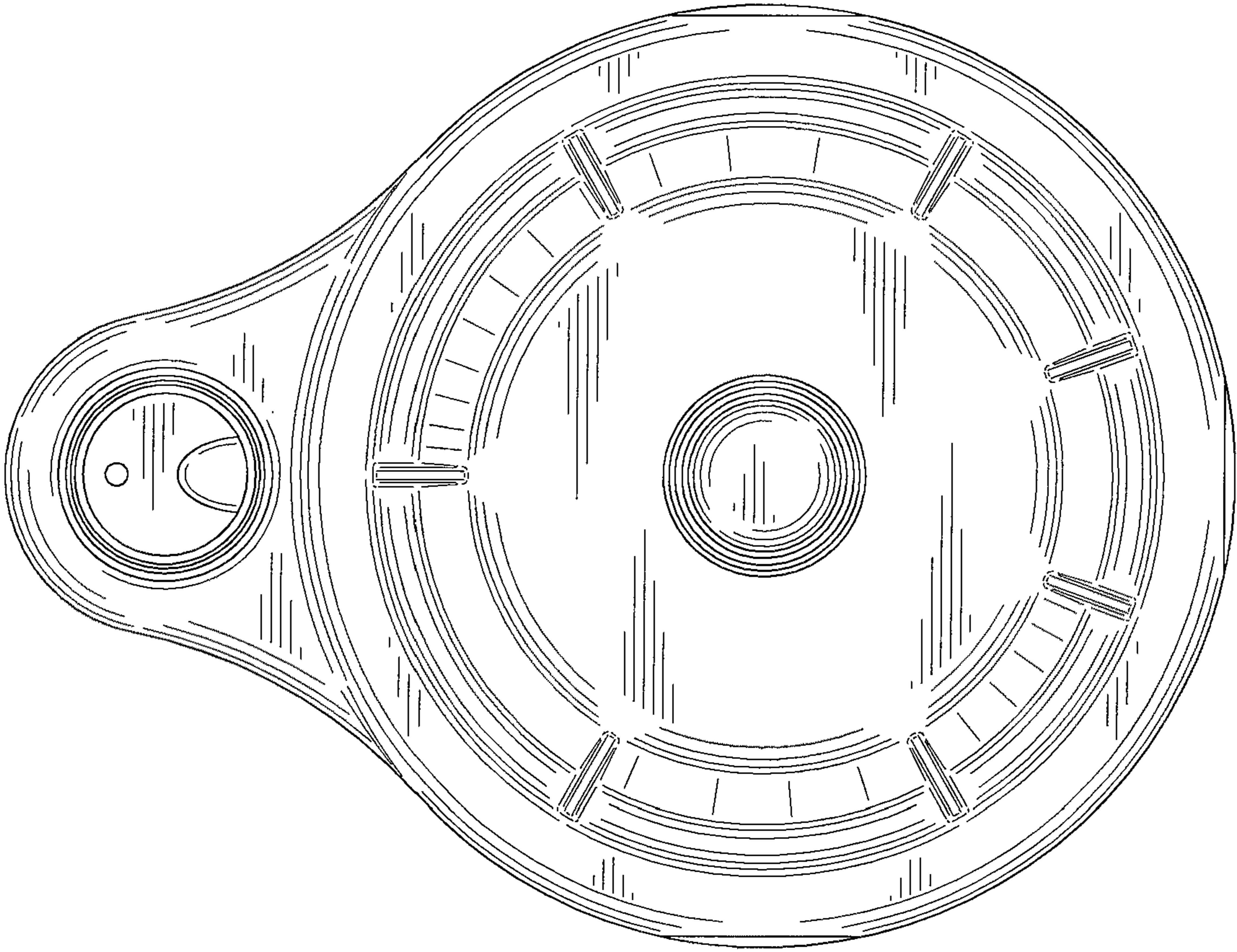


FIG. 8

