



US00D663378S

(12) **United States Design Patent**  
**Osman**

(10) **Patent No.:** **US D663,378 S**

(45) **Date of Patent:** **\*\* Jul. 10, 2012**

(54) **LURE LOCK**

(76) Inventor: **Tom Osman**, Wauwatosa, WI (US)

(\*\*) Term: **14 Years**

(21) Appl. No.: **29/398,460**

(22) Filed: **Jul. 31, 2011**

(51) **LOC (9) Cl.** ..... **22-05**

(52) **U.S. Cl.** ..... **D22/134**

(58) **Field of Classification Search** ..... D22/134,  
D22/139; D3/260, 905; 43/54.1, 57.1, 25.2,  
43/26, 25; 206/315.11; 224/922

See application file for complete search history.

(56) **References Cited**

U.S. PATENT DOCUMENTS

4,203,245	A	5/1980	Peterson	
4,383,385	A	5/1983	Myers	
4,441,274	A	4/1984	Masur	
D311,449	S *	10/1990	Paschal	..... D3/294
D355,071	S *	2/1995	Stull	..... D3/260
5,475,942	A *	12/1995	Tatum	..... 43/25.2
D373,614	S *	9/1996	Bevill	..... D22/139
D399,912	S	10/1998	Kopp, III	
6,023,876	A	2/2000	Haddad et al.	

7,299,582 B1 11/2007 Whitehead  
7,587,855 B2 9/2009 Kononpa  
7,703,234 B2 4/2010 Dodge

\* cited by examiner

*Primary Examiner* — Catheri Oliver

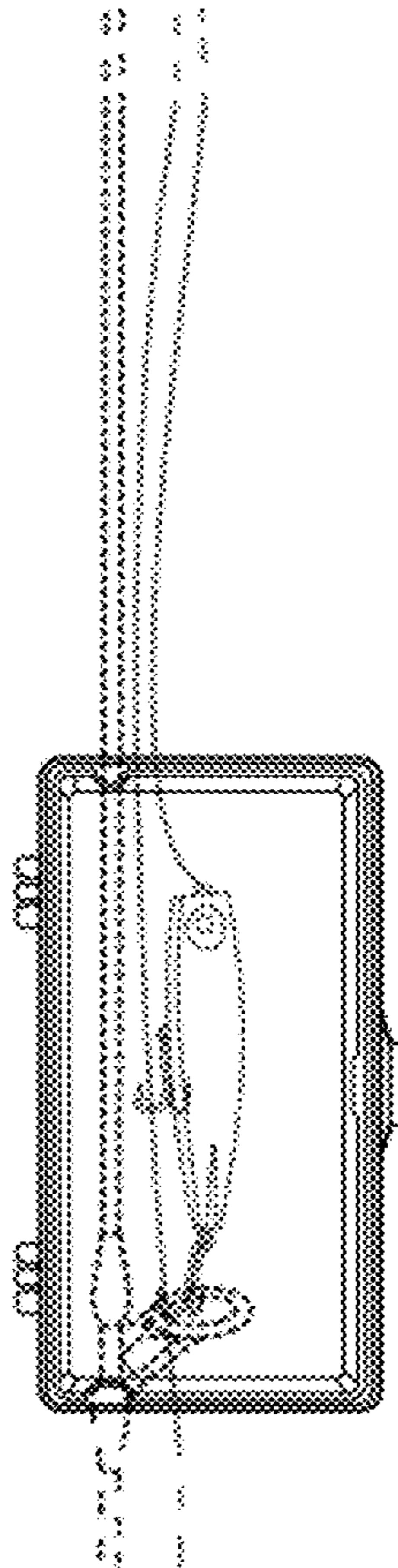
(57) **CLAIM**

I claim the ornamental design for a lure lock, as shown and described.

**DESCRIPTION**

FIG. 1 is a top view of the lure lock, shown enclosed around a fishing lure and a fishing pole;  
FIG. 2 is a bottom view thereof;  
FIG. 3 is a front view thereof;  
FIG. 4 is a rear view thereof;  
FIG. 5 is a side view thereof;  
FIG. 6 is an opposite side view thereof;  
FIG. 7 is a top perspective view of the design shown in use;  
FIG. 8 is a front perspective view of the lure lock shown with the top open; and,  
FIG. 9 is a front perspective view, with the top shown closed.  
The broken lines showing a fishing lure, fishing pole and fisherman are for illustrative purposes only and form no part of the claimed design.

**1 Claim, 8 Drawing Sheets**



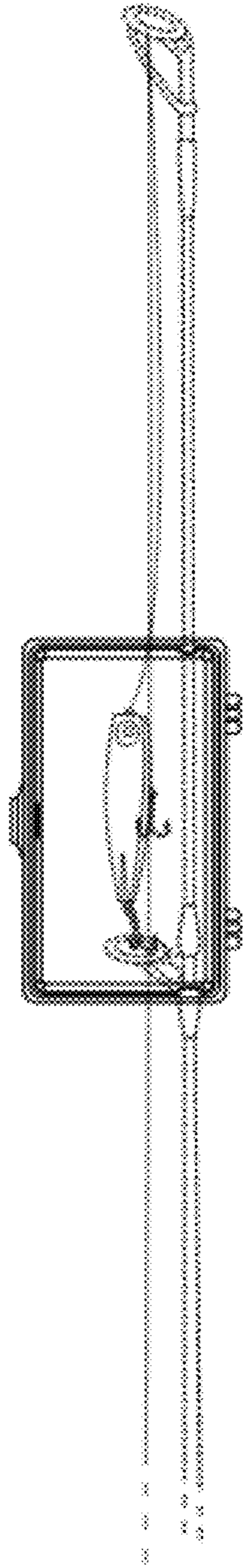


FIG. 1

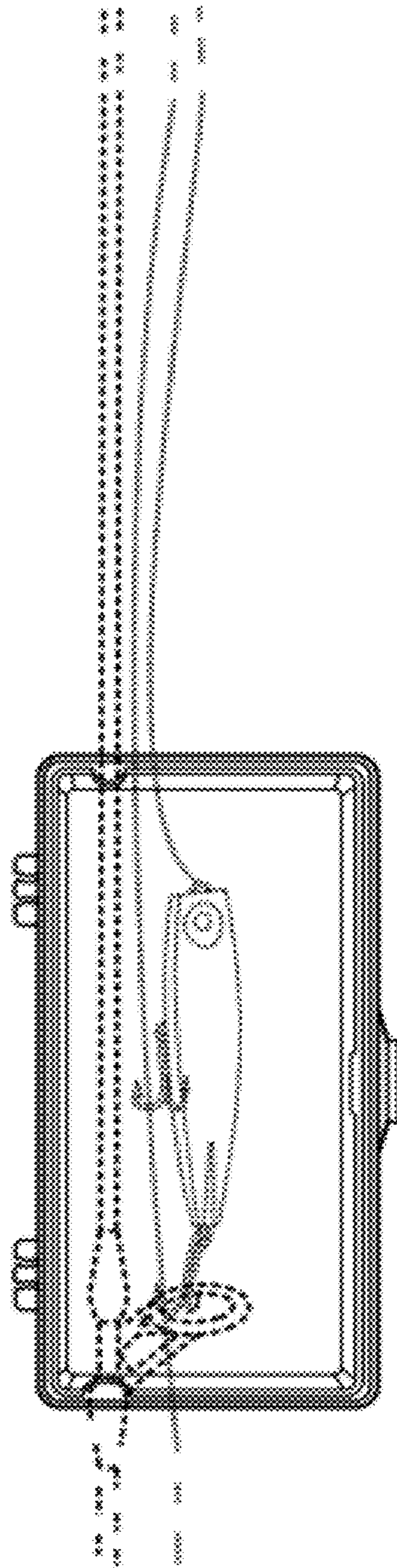


FIG.2

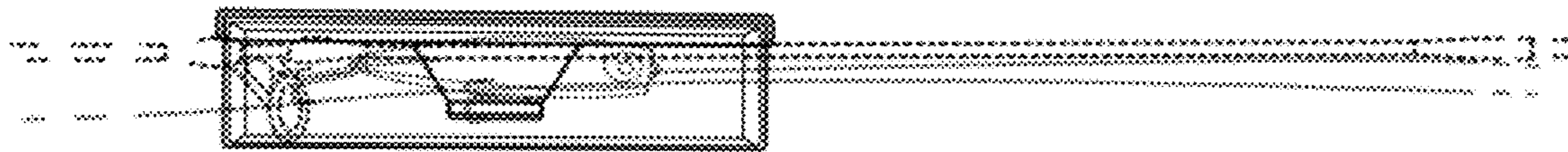


FIG. 3

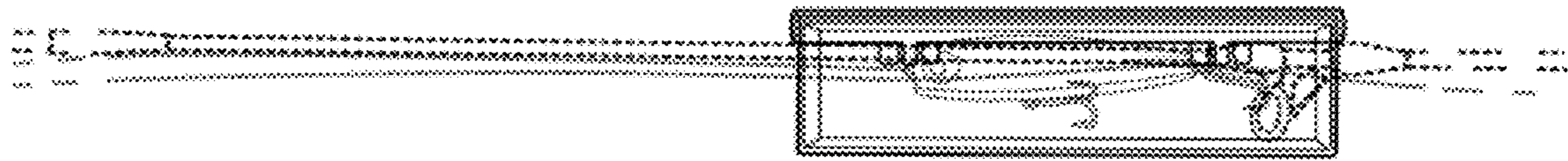


FIG. 4

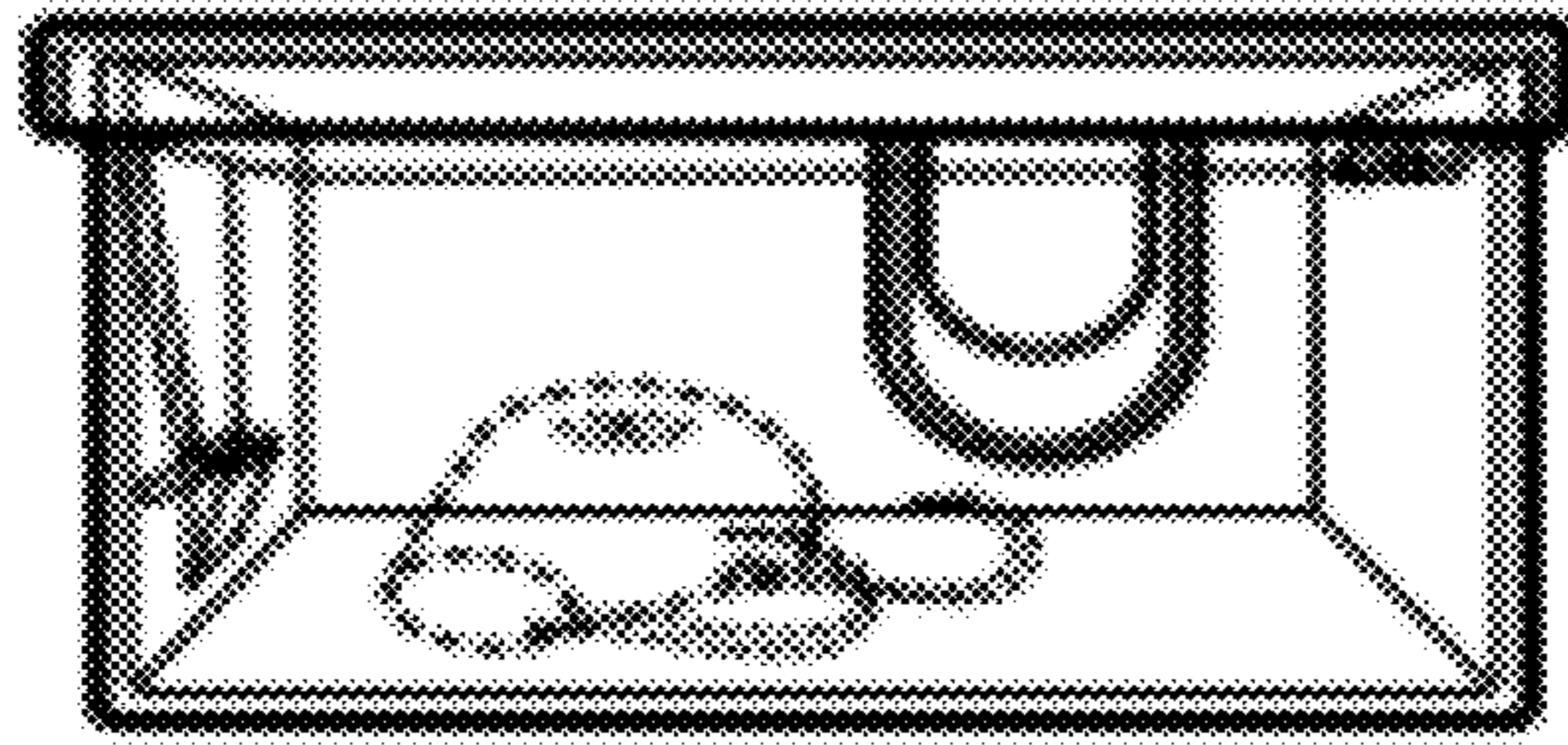


FIG. 5

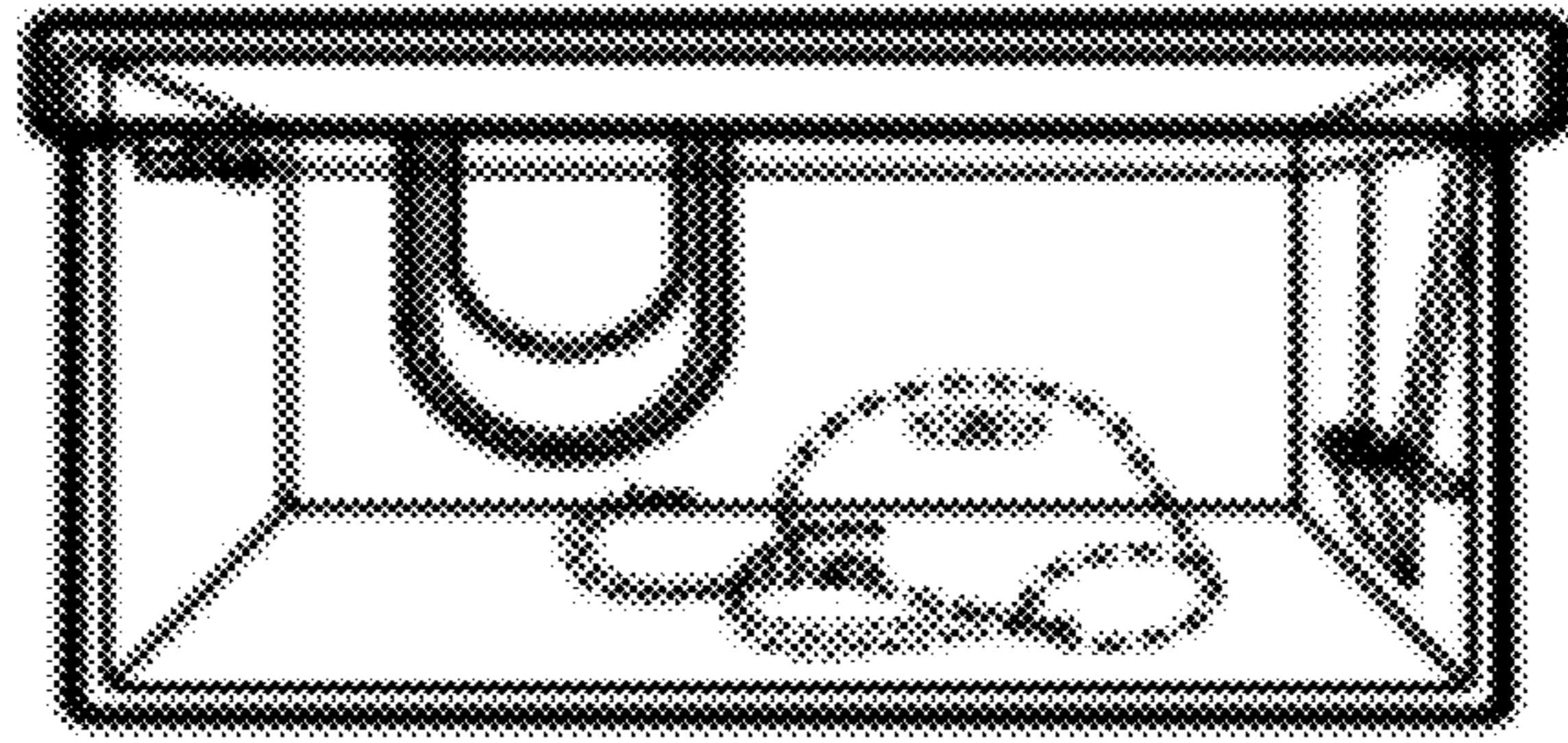


FIG. 6



FIG. 7



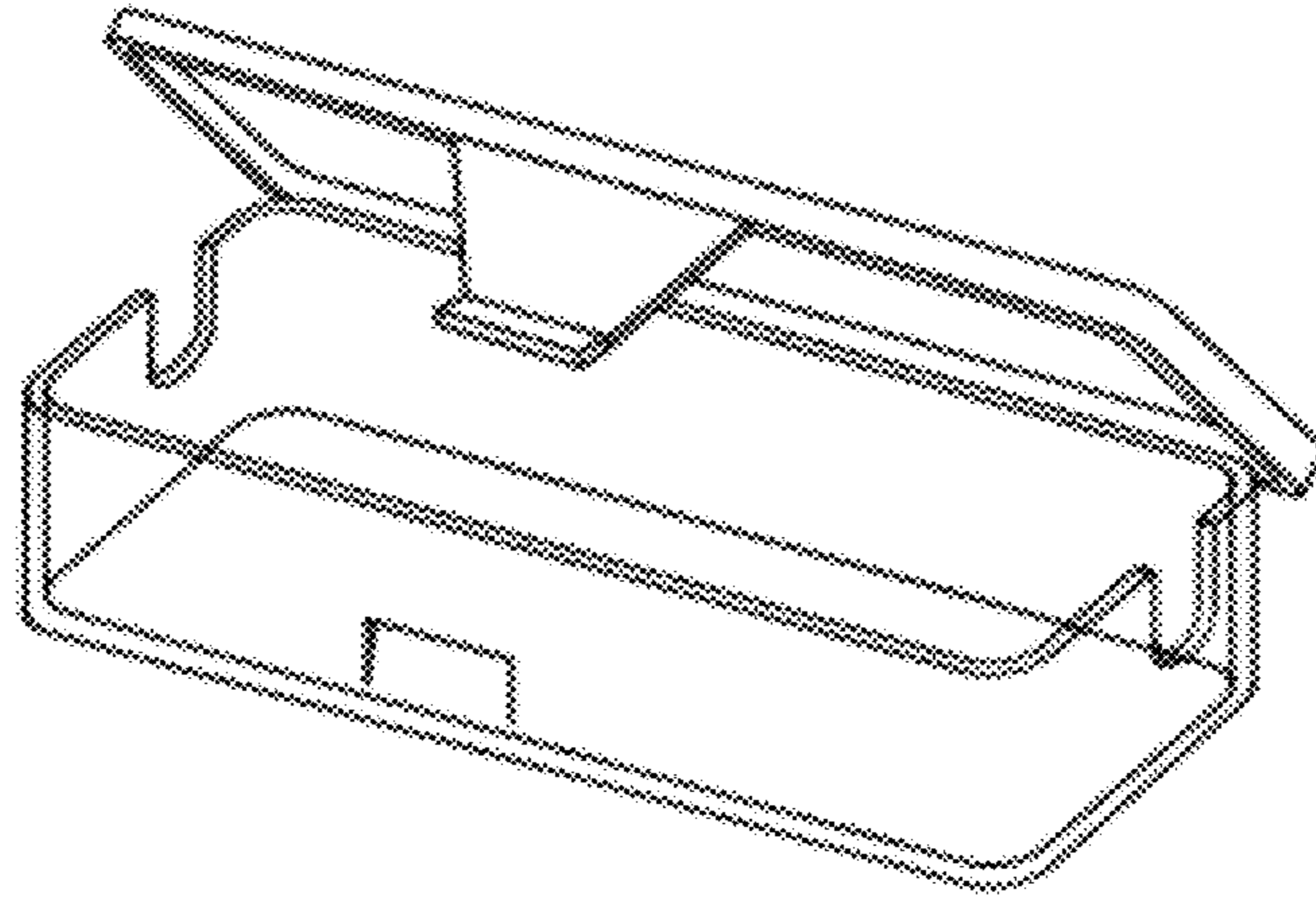


FIG. 8

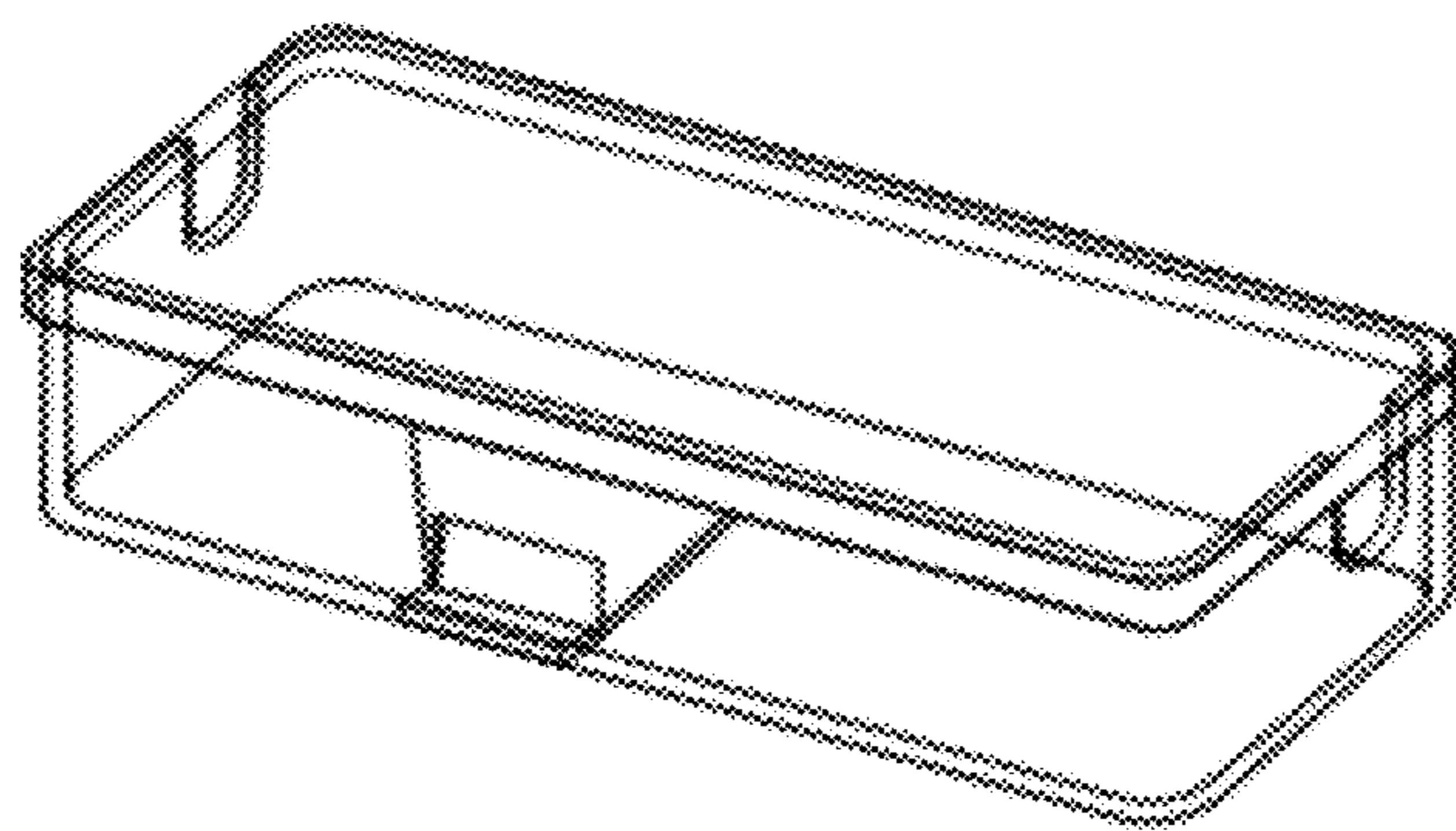


FIG. 9