



US00D663377S

(12) **United States Design Patent**  
**Kamocsai**

(10) **Patent No.:** **US D663,377 S**

(45) **Date of Patent:** **\*\* Jul. 10, 2012**

(54) **ELECTRO-ACOUSTIC CATFISH CLONKER ON A BAIT BOAT**

(76) Inventor: **Imrich Kamocsai**, Bratislava (SK)

(\*\*) Term: **14 Years**

(21) Appl. No.: **29/372,840**

(22) Filed: **Jan. 20, 2011**

(51) **LOC (9) Cl.** ..... **22-05**

(52) **U.S. Cl.** ..... **D22/134**

(58) **Field of Classification Search** ..... D22/134,  
D22/136, 149, 199; 43/26, 26.1, 57.1, 19.2,  
43/26.2, 4, 43.2

See application file for complete search history.

(56) **References Cited**

**U.S. PATENT DOCUMENTS**

D338,056 S *	8/1993	Holland	.....	D22/134
5,806,232 A *	9/1998	James	.....	43/26.1
6,041,537 A *	3/2000	Sullivan	.....	43/26.1
6,925,746 B2 *	8/2005	Huikari	.....	43/26.1

\* cited by examiner

*Primary Examiner* — Catherine Oliver

(74) *Attorney, Agent, or Firm* — Ohlandt, Greeley, Ruggiero & Perle, LLP; George W. Rauchfuss, Jr.

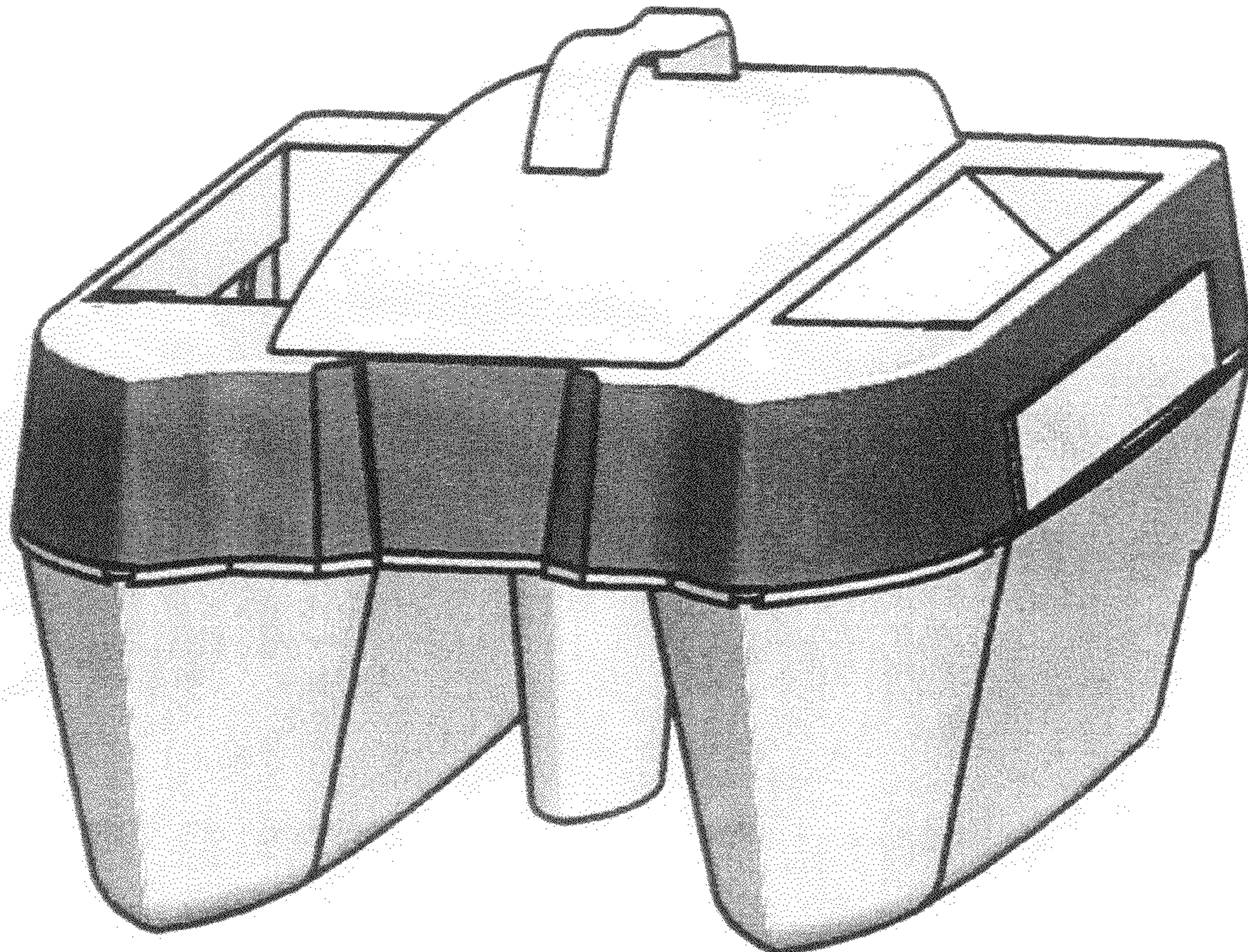
(57) **CLAIM**

The ornamental design for an electro-acoustic catfish clonker on a bait boat.

**DESCRIPTION**

FIG. 1 is a bottom view of the bait boat with electro-acoustic catfish clonker on a bait boat;  
FIG. 2 is a perspective view of the bait boat with electro-acoustic catfish clonker on a bait boat;  
FIG. 3 is a side view of the bait boat with electro-acoustic catfish clonker on a bait boat; and,  
FIG. 4 is a front view of the bait boat with electro-acoustic catfish clonker on a bait boat.

**1 Claim, 4 Drawing Sheets**



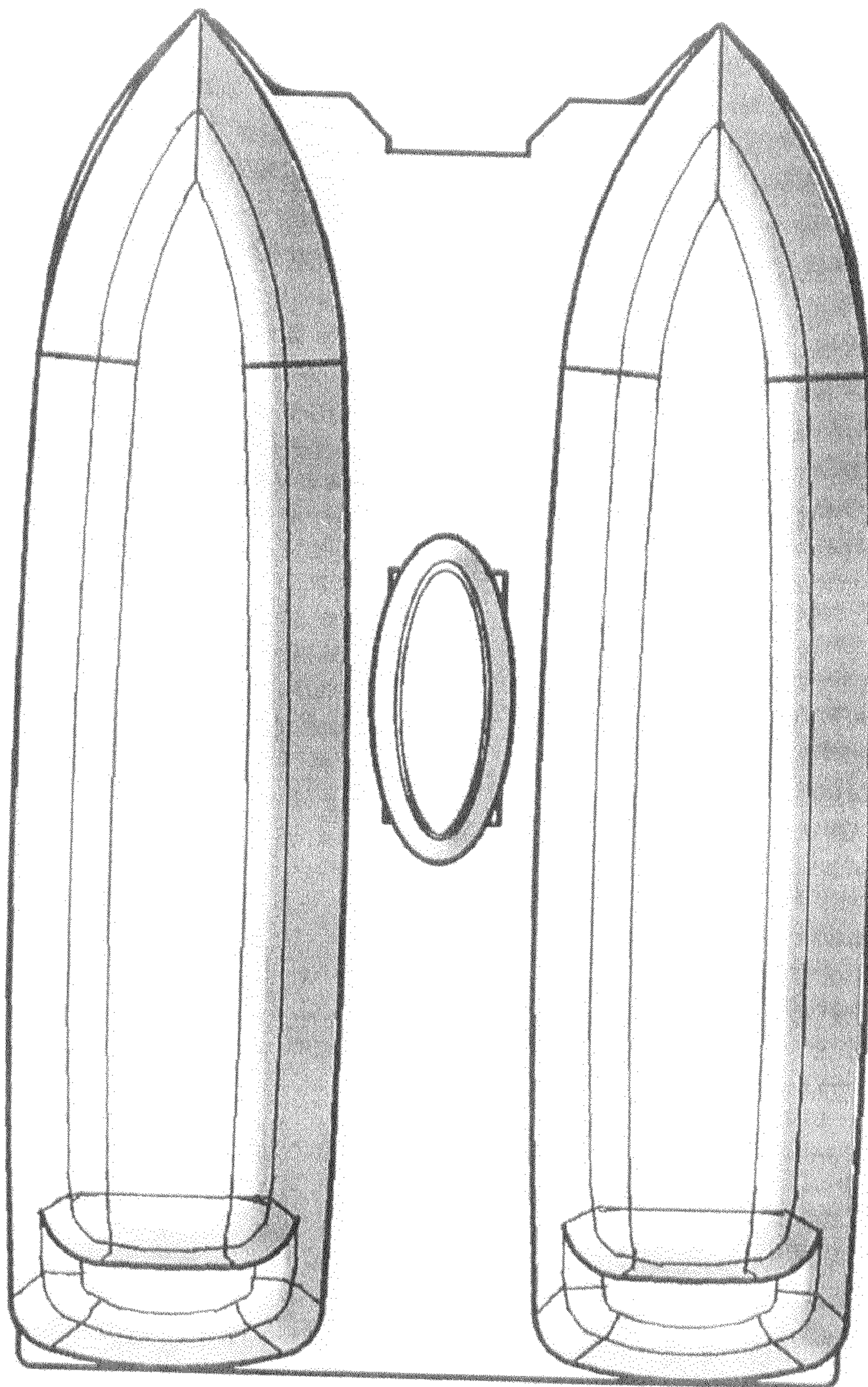


FIG. 1

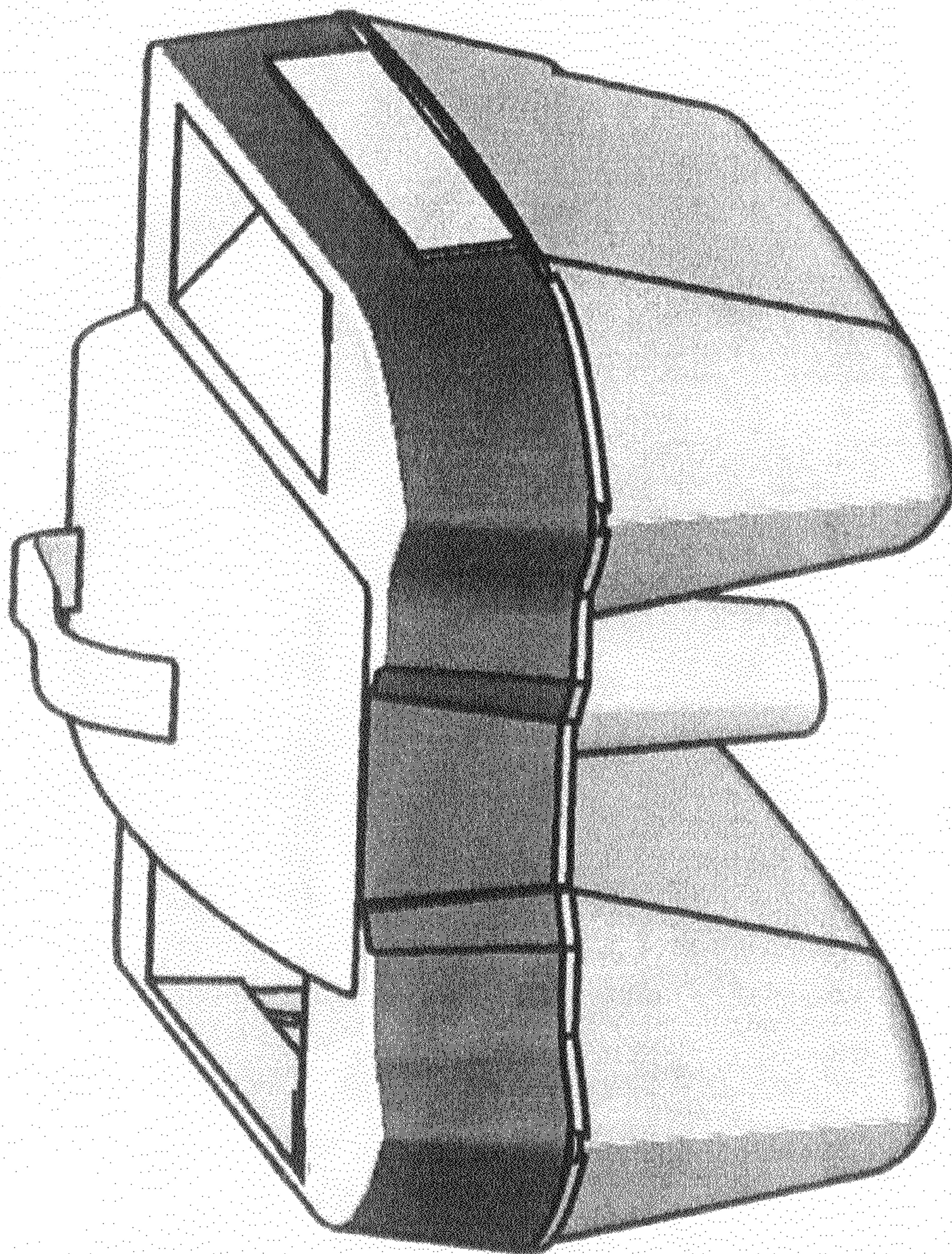


FIG. 2

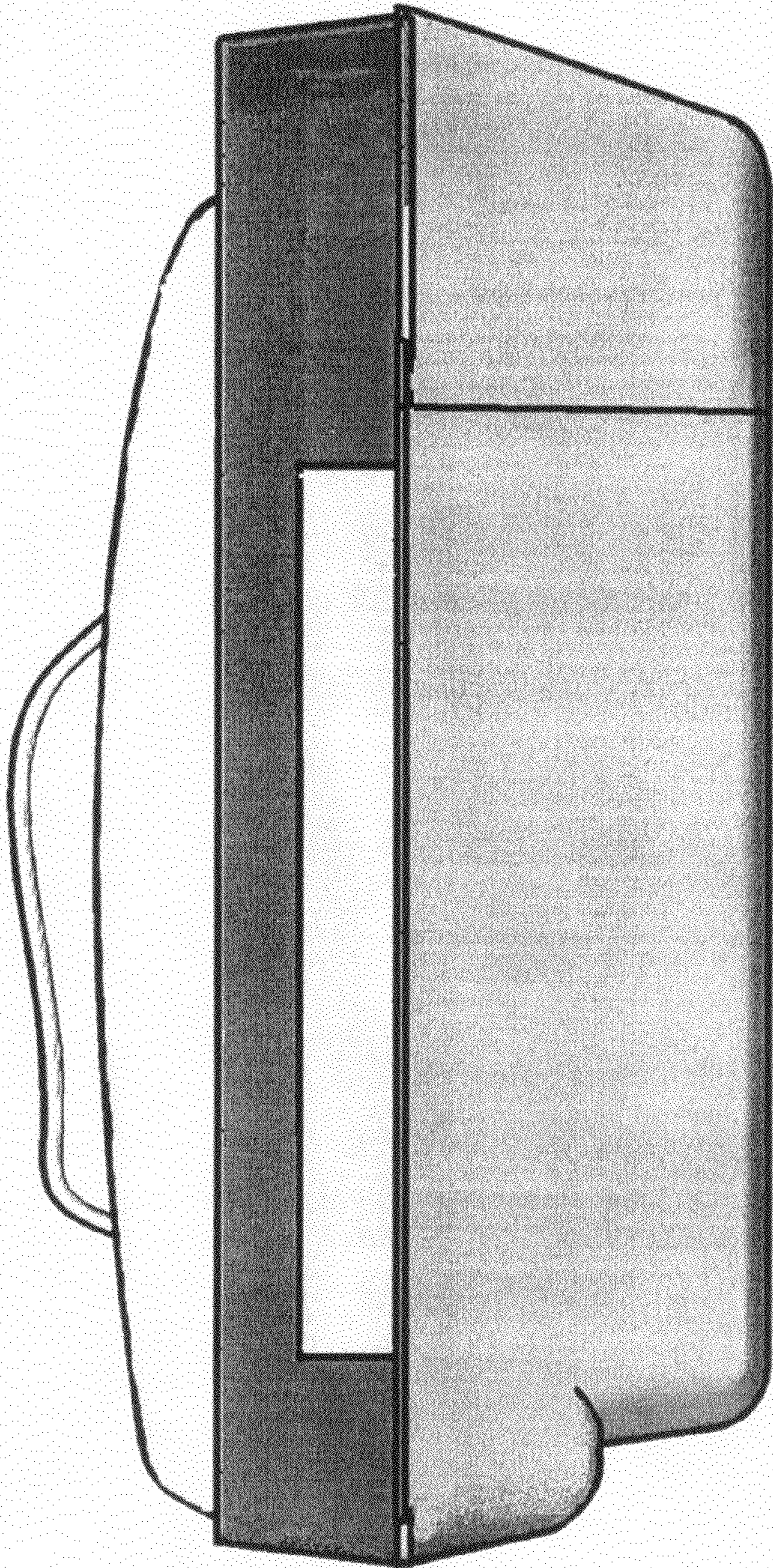


FIG. 3

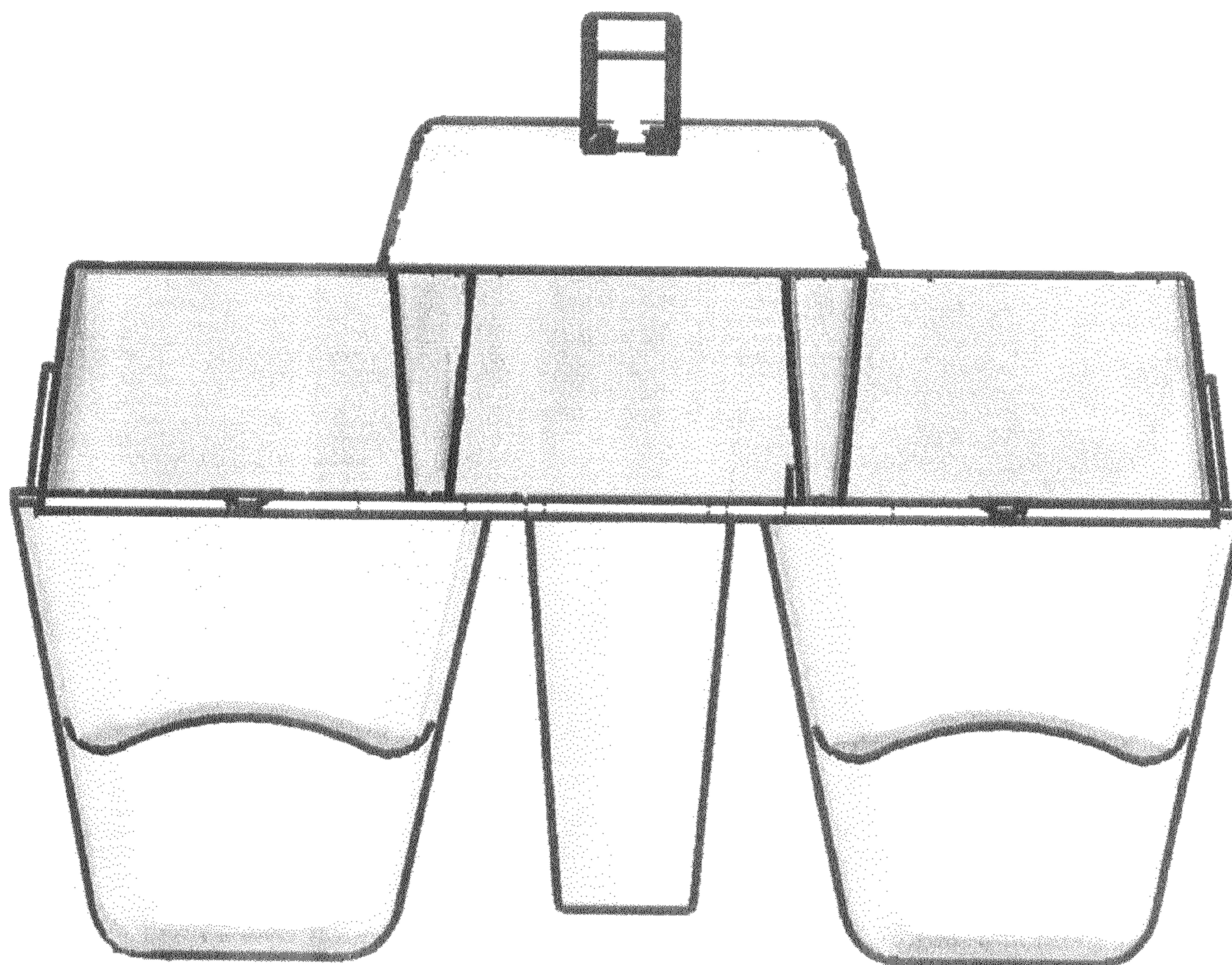


FIG. 4