



US00D663375S

(12) **United States Design Patent**
Glimpse et al.

(10) **Patent No.:** **US D663,375 S**
(45) **Date of Patent:** **** Jul. 10, 2012**

(54) **GUN SIGHT**

(75) Inventors: **Bryan R. Glimpse**, Trenton, MI (US);
Robert W. Condra, New Hudson, MI
(US); **Joshua Lee Varner**, Commerce,
MI (US); **Joseph R. Adkins**, Howell, MI
(US)

(73) Assignee: **Trijicon, Inc.**, Wixom, MI (US)

(**) Term: **14 Years**

(21) Appl. No.: **29/380,965**

(22) Filed: **Dec. 14, 2010**

(51) **LOC (9) Cl.** **22-01**

(52) **U.S. Cl.** **D22/109**

(58) **Field of Classification Search** D22/108-110,
D22/199; 89/111-133; 359/399, 823, 744;
42/104, 105, 111-113, 116, 120, 124-126,
42/127-129, 141-148, 133-140; 33/227,
33/229

See application file for complete search history.

(56) **References Cited**

U.S. PATENT DOCUMENTS

| | | | | | |
|-----------|-----|---------|----------------|-------|---------|
| 1,363,553 | A * | 12/1920 | Barringer | | 42/145 |
| 1,922,302 | A | 8/1933 | King | | |
| 3,184,851 | A | 5/1965 | Simmons | | |
| 3,641,676 | A | 2/1972 | Knutsen et al. | | |
| 3,698,091 | A | 10/1972 | Merrill et al. | | |
| 3,700,339 | A | 10/1972 | Steck, Iii | | |
| 3,777,380 | A | 12/1973 | Theodore | | |
| 3,916,530 | A | 11/1975 | Tellie | | |
| 4,015,354 | A | 4/1977 | Brouthers | | |
| D247,856 | S * | 5/1978 | Korzeniewski | | D22/109 |
| 4,366,625 | A | 1/1983 | Gehmann | | |

| | | | | | |
|----------|-----|--------|---------|-------|---------|
| D273,217 | S | 3/1984 | Swenson | | |
| D296,227 | S * | 6/1988 | Novak | | D22/109 |
| D301,512 | S * | 6/1989 | Novak | | D22/109 |

(Continued)

FOREIGN PATENT DOCUMENTS

EP 470016 A1 2/1992

(Continued)

OTHER PUBLICATIONS

<http://web.archive.org/web/20060524161152/http://www.10-8performance.com/>; 10-8 Performance, Duty Ready 1911s; Hilton Yam; May 24, 2008; 2 Pages.

Primary Examiner — Michael A Pratt

(74) Attorney, Agent, or Firm — Harness, Dickey & Pierce, P.L.C.

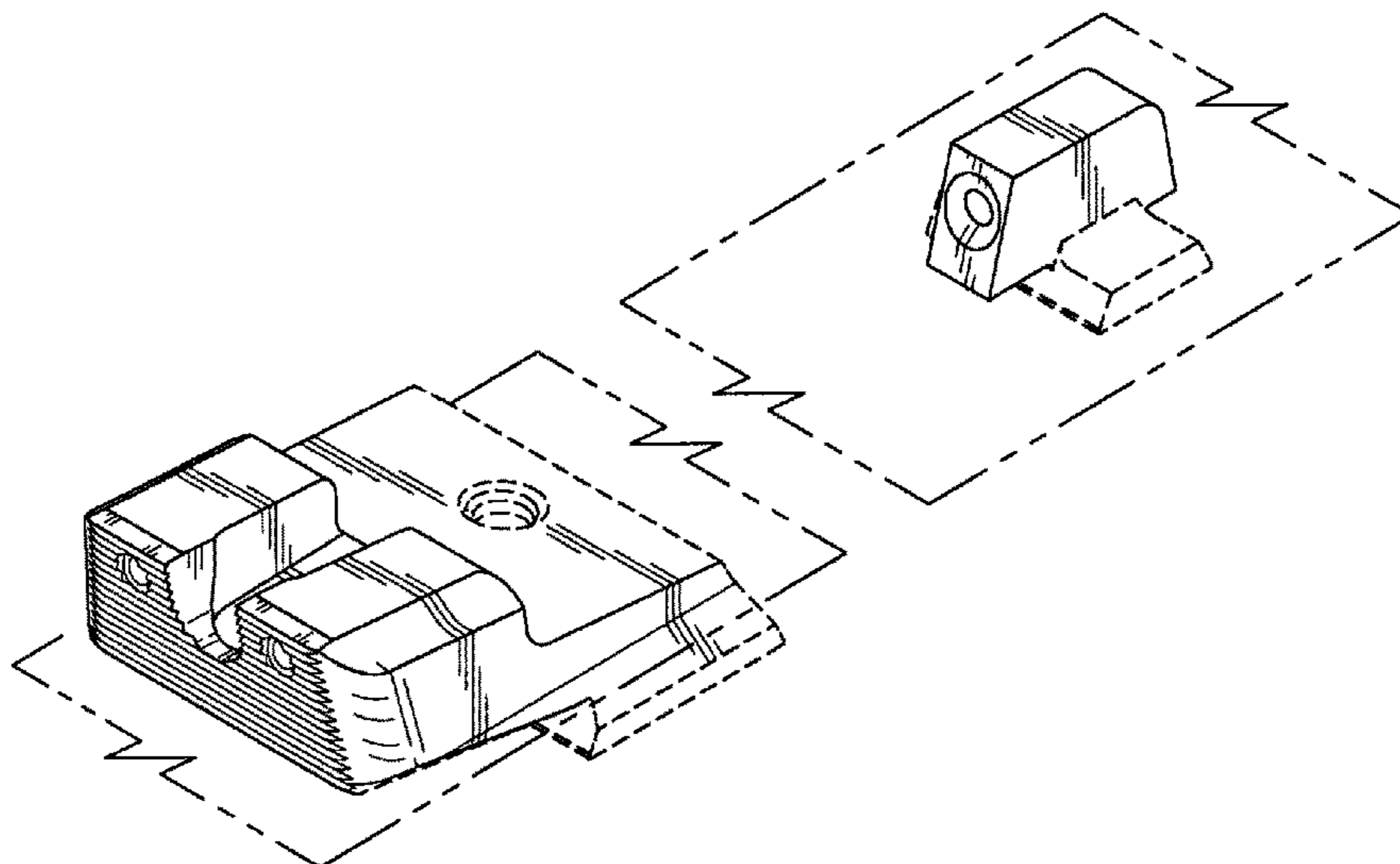
(57) **CLAIM**

The ornamental design for a gun sight, as shown and described.

DESCRIPTION

FIG. 1 is a front perspective view of a gun sight in accordance with the principles of the present disclosure; FIG. 2 is a bottom perspective view of the gun sight of FIG. 1; FIG. 3 is a rear perspective view of the gun sight of FIG. 1; FIG. 4 is a top view of the gun sight of FIG. 1; FIG. 5 is a side view of the gun sight of FIG. 1; FIG. 6 is a side view of the gun sight of FIG. 1; FIG. 7 is a rear view of the gun sight of FIG. 1; and, FIG. 8 is a front view of the gun sight of FIG. 1. The broken lines are for illustrative purposes only and form no part of the claimed invention.

1 Claim, 3 Drawing Sheets



US D663,375 S

U.S. PATENT DOCUMENTS

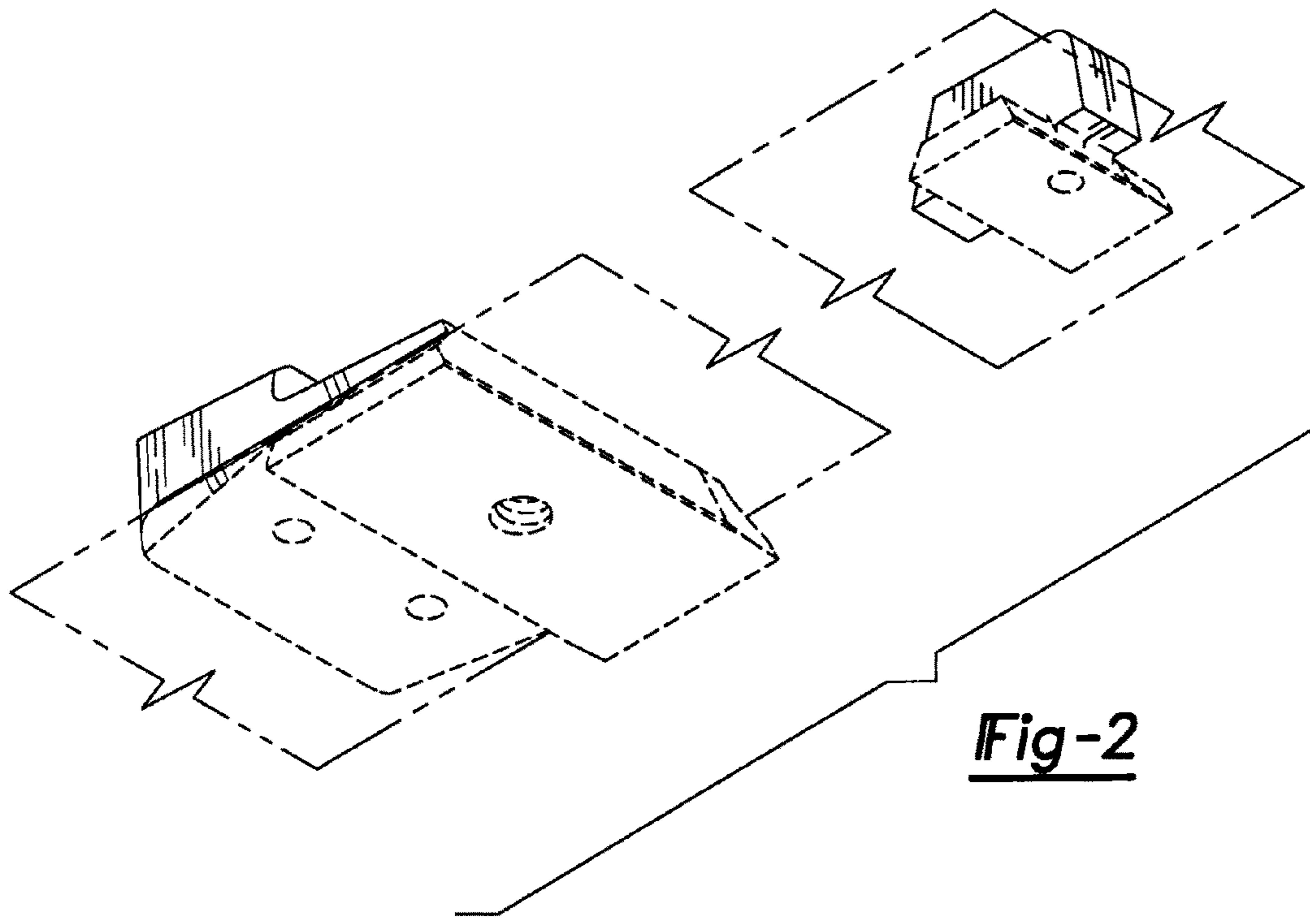
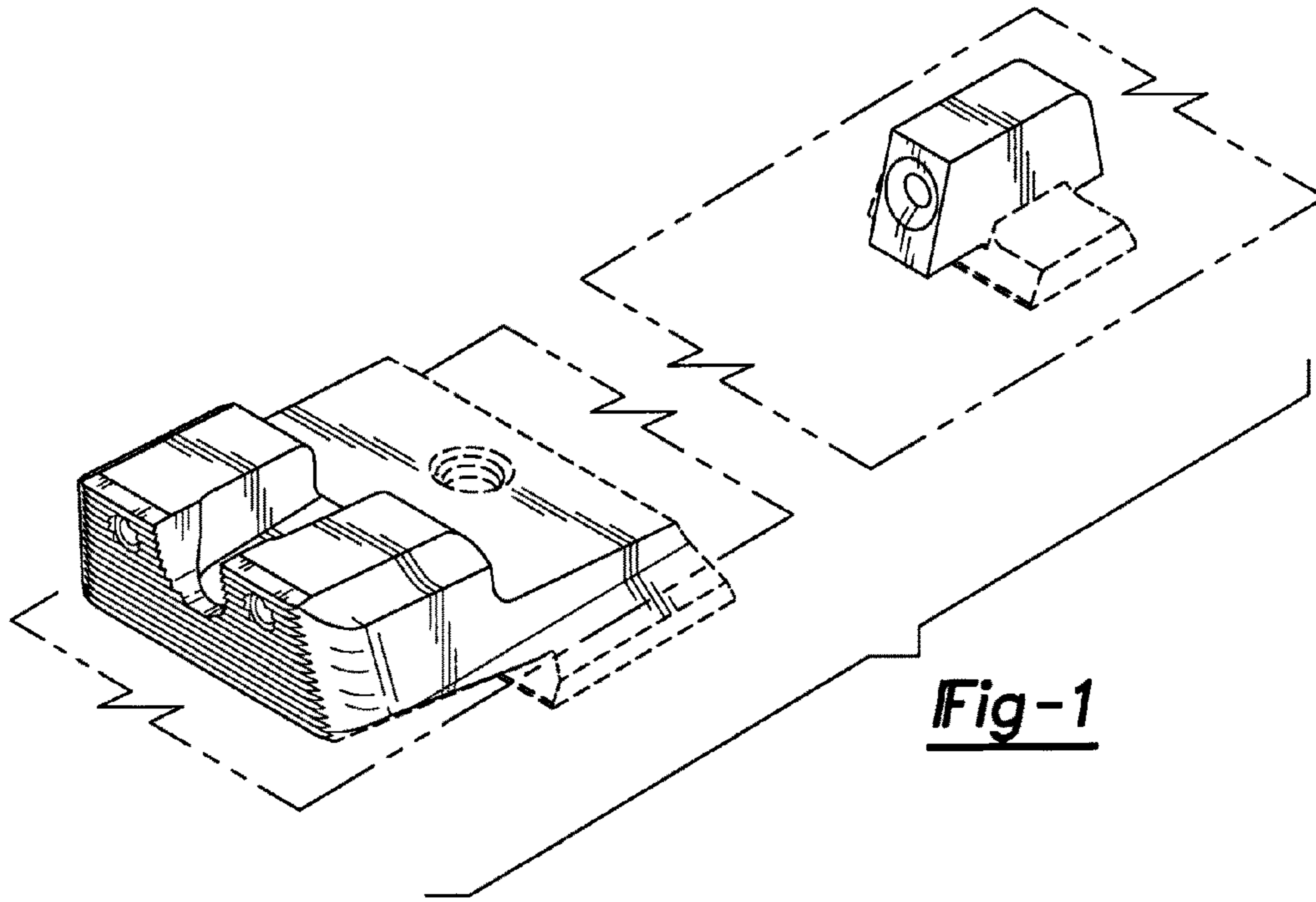
D305,146 S * 12/1989 Novak D22/109
 D305,561 S * 1/1990 Novak D22/109
 D315,776 S * 3/1991 Novak D22/109
 5,065,519 A 11/1991 Bindon
 5,070,619 A 12/1991 Santiago
 D352,087 S * 11/1994 Stevens et al. D22/109
 5,359,800 A 11/1994 Fisher et al.
 5,426,882 A * 6/1995 Dornaus 42/137
 5,442,861 A 8/1995 Lorocco
 D363,334 S * 10/1995 De Oliveira Masina D22/109
 5,471,777 A 12/1995 McDonald
 RE35,347 E 10/1996 Bindon
 5,638,604 A 6/1997 Lorocco
 D382,038 S * 8/1997 Nigh D22/109
 D387,844 S * 12/1997 Emerson D22/109
 5,735,070 A 4/1998 Vasquez et al.
 D399,291 S * 10/1998 Emerson D22/109
 D399,292 S * 10/1998 Emerson D22/109
 5,836,100 A 11/1998 Stover
 D403,734 S * 1/1999 Kay D22/109
 5,862,618 A 1/1999 Brown
 D406,630 S * 3/1999 Emerson D22/109
 5,878,503 A 3/1999 Howe et al.
 5,878,521 A * 3/1999 Warnock 42/145
 5,887,352 A * 3/1999 Kim 42/144
 5,956,854 A 9/1999 Lorocco
 5,965,854 A 10/1999 Umemura
 6,014,830 A 1/2000 Brown et al.
 6,016,608 A 1/2000 Lorocco
 6,035,539 A 3/2000 Hollenbach et al.
 6,058,615 A 5/2000 Uhlmann et al.
 6,058,616 A 5/2000 Bubits
 6,085,427 A 7/2000 Persson
 6,122,833 A 9/2000 Lorocco
 D435,625 S 12/2000 Ling, Jr.
 D436,393 S * 1/2001 Ling, Jr. D22/109
 6,216,351 B1 * 4/2001 Flubacher et al. 42/145
 6,216,352 B1 4/2001 Lorocco
 D443,016 S * 5/2001 Nigh D22/109
 6,233,836 B1 5/2001 Uhlmann et al.
 D447,205 S * 8/2001 Keng D22/109
 6,279,976 B1 8/2001 Ball
 6,360,471 B1 3/2002 Stein
 6,360,472 B1 3/2002 Lorocco
 6,367,189 B1 4/2002 Clay
 6,421,946 B1 7/2002 LoRocco
 6,446,377 B1 9/2002 Hollenbach et al.
 6,571,504 B2 6/2003 Carlson

6,622,413 B1 9/2003 Bickett
 6,640,482 B2 11/2003 Carlson
 6,711,846 B1 3/2004 Nasef
 D492,747 S * 7/2004 LoRocco D22/109
 6,769,210 B2 8/2004 Bubits
 6,834,457 B1 12/2004 Warren
 6,860,056 B2 3/2005 Howe
 D512,118 S * 11/2005 Warren D22/109
 D512,760 S * 12/2005 Warren D22/109
 D515,170 S * 2/2006 Price D22/109
 D520,099 S * 5/2006 Warren D22/109
 D520,592 S * 5/2006 Warren D22/109
 D521,101 S * 5/2006 Warren D22/109
 D521,591 S * 5/2006 Warren D22/109
 D526,695 S * 8/2006 Warren D22/109
 D527,068 S * 8/2006 Warren D22/109
 D531,693 S * 11/2006 Warren et al. D22/109
 D533,616 S * 12/2006 Warren D22/109
 D533,617 S * 12/2006 Warren D22/109
 D534,986 S * 1/2007 Warren et al. D22/109
 D541,897 S 5/2007 Warren et
 D546,915 S * 7/2007 Price D22/109
 7,287,351 B1 10/2007 Warren
 D560,744 S * 1/2008 Warren et al. D22/108
 D565,144 S * 3/2008 Price D22/109
 7,451,566 B1 11/2008 Price
 7,565,762 B2 7/2009 Lackey
 7,627,976 B1 12/2009 Olson
 D611,112 S * 3/2010 Kay D22/109
 7,676,137 B2 3/2010 Schick et al.
 7,886,475 B2 2/2011 Dubois
 7,905,044 B2 3/2011 Clouser
 7,908,783 B2 3/2011 Howe et al.
 8,037,634 B2 10/2011 Price
 8,132,352 B2 3/2012 Lippard
 2006/0123687 A1 6/2006 Howe et al.
 2006/0207157 A1 9/2006 Keng
 2007/0240354 A1 10/2007 Warren
 2009/0013581 A1 1/2009 LoRocco
 2009/0126251 A1 5/2009 Howe et al.
 2010/0088944 A1 * 4/2010 Callihan 42/145
 2010/0170138 A1 * 7/2010 Zukowski 42/148
 2011/0067286 A1 3/2011 Price
 2011/0107650 A1 5/2011 Howe et al.
 2011/0314721 A1 12/2011 Lamb

FOREIGN PATENT DOCUMENTS

WO 201034458 A1 4/2010

* cited by examiner



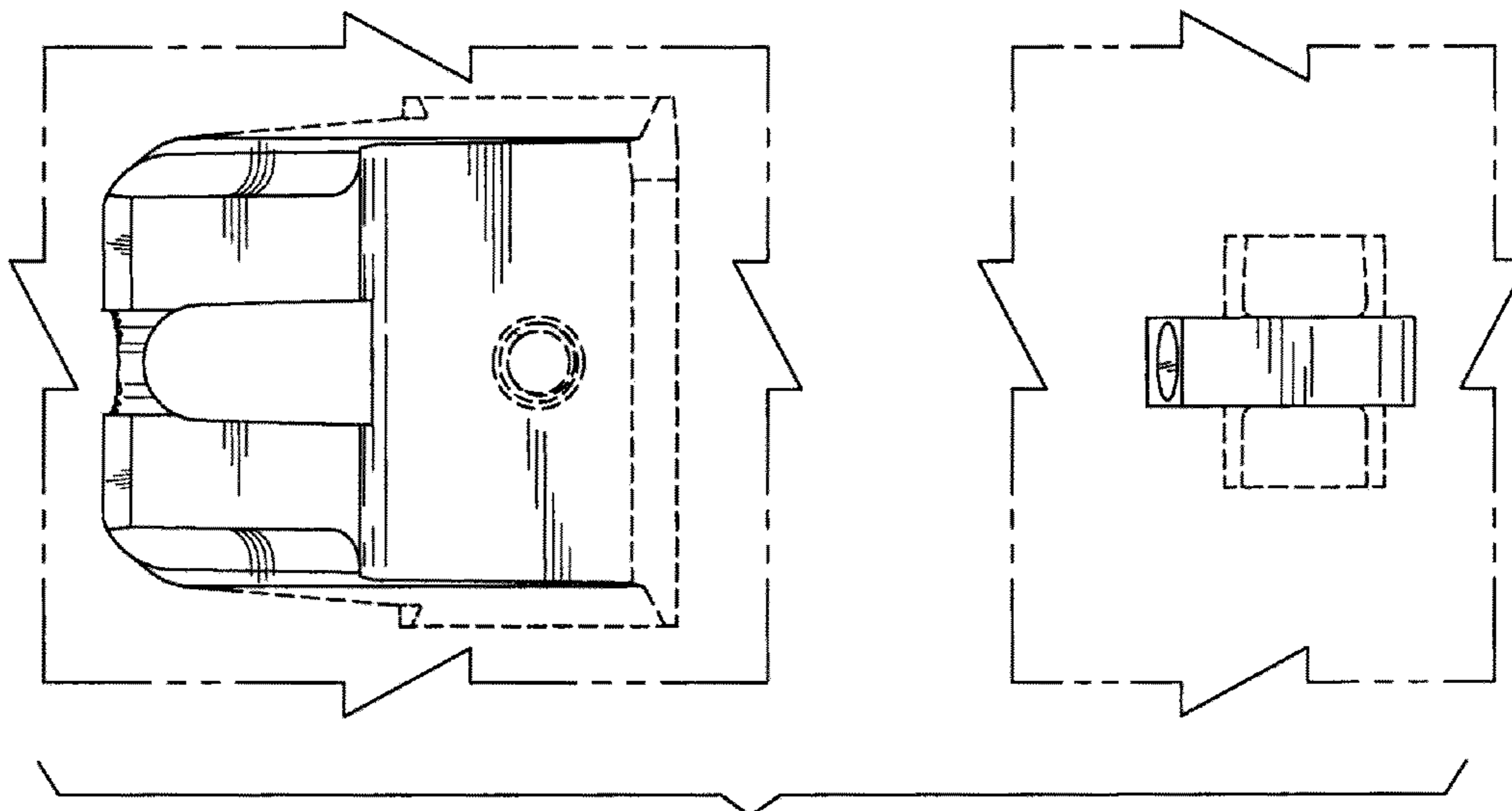
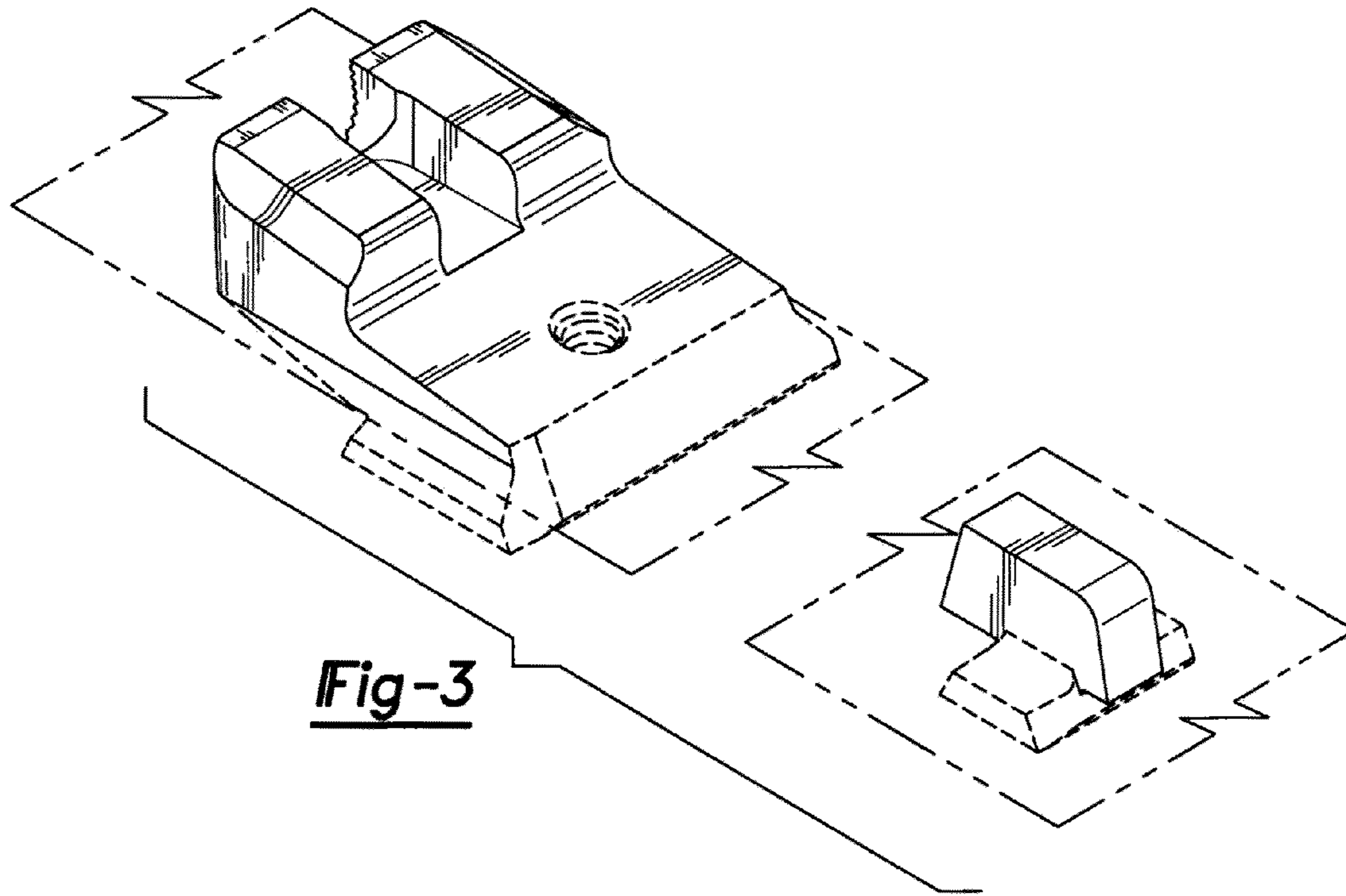


Fig-4

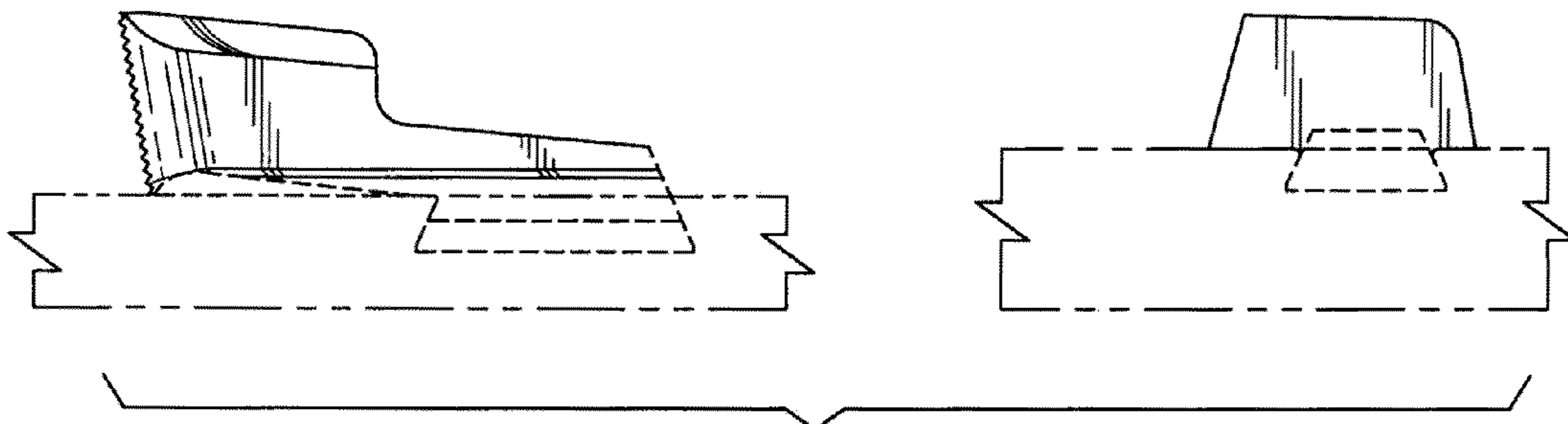


Fig-5

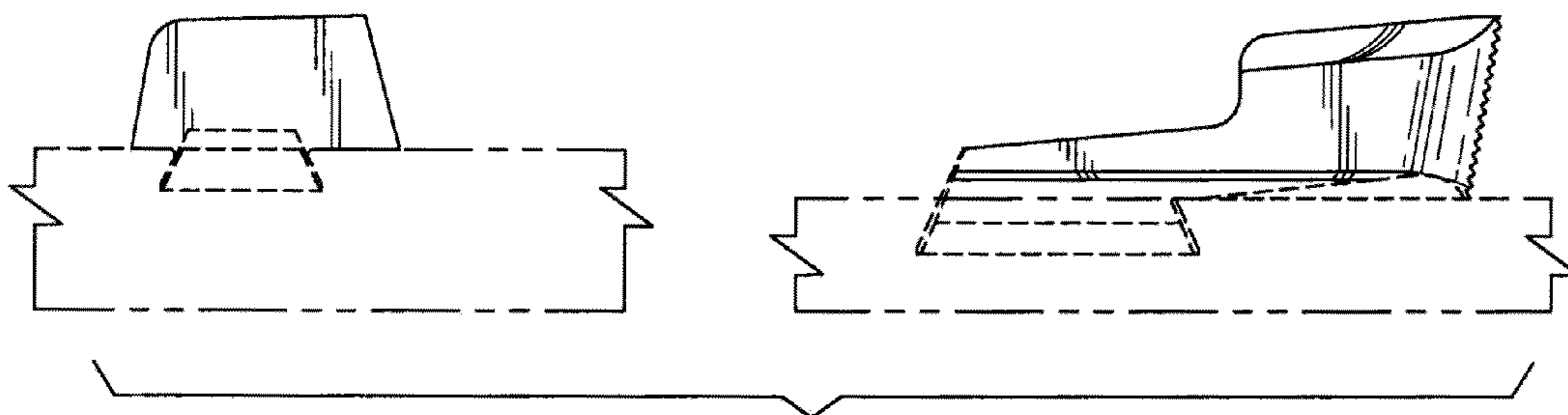


Fig-6

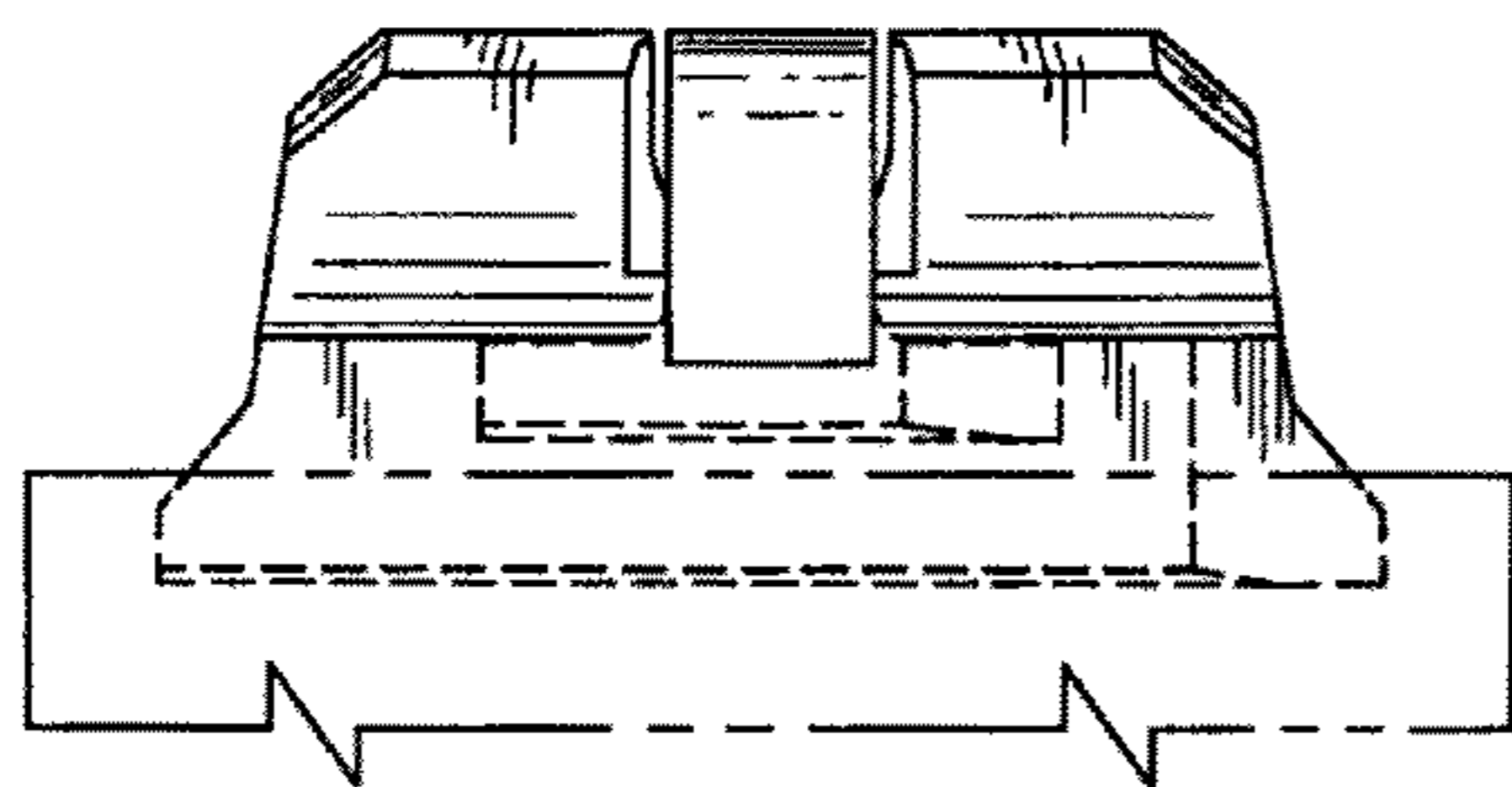


Fig-7

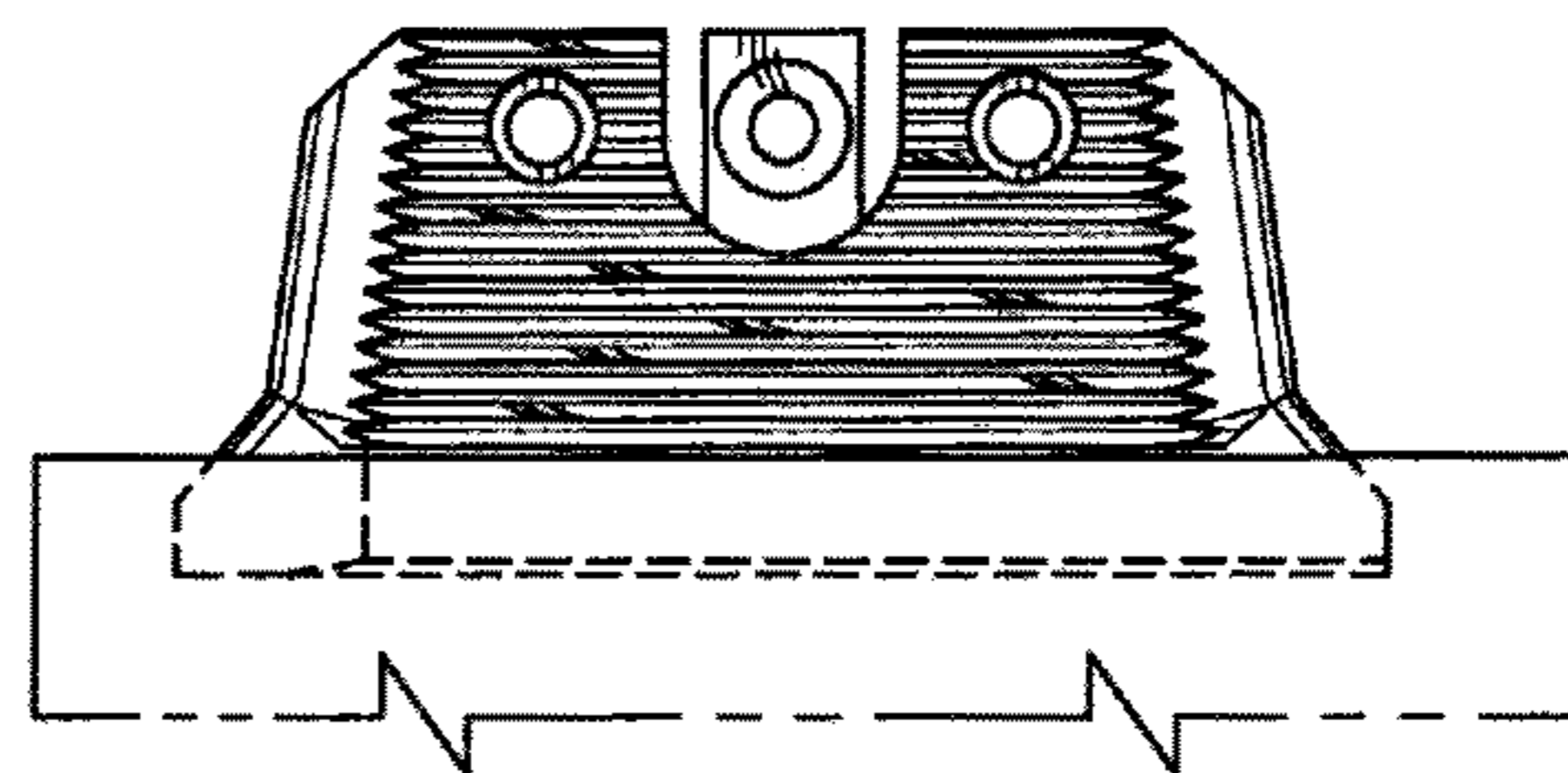


Fig-8