



US00D663366S

(12) **United States Design Patent**  
**Ho**

(10) **Patent No.:** **US D663,366 S**  
(45) **Date of Patent:** **\*\* Jul. 10, 2012**

(54) **COMBINED WAIST AND HIP EXERCISE APPARATUS**

(76) Inventor: **Wei-Teh Ho**, Taipei (TW)

(\*\*) Term: **14 Years**

(21) Appl. No.: **29/373,107**

(22) Filed: **Mar. 2, 2011**

(51) **LOC (9) Cl.** ..... **21-02**

(52) **U.S. Cl.** ..... **D21/689**

(58) **Field of Classification Search** ..... D21/662,  
D21/686, 688, 689, 694; 482/51, 71-72,  
482/96, 112, 121, 130-132, 140, 142, 146-147;  
601/23, 33, 40, 127, 131  
See application file for complete search history.

(56) **References Cited**

**U.S. PATENT DOCUMENTS**

4,705,268	A *	11/1987	Nadeau	.....	482/72
5,599,261	A *	2/1997	Easley et al.	.....	482/130
6,213,924	B1 *	4/2001	Kaiyoorawongs	.....	482/146
D478,137	S *	8/2003	Ho et al.	.....	D21/687
D565,134	S *	3/2008	Brown et al.	.....	D21/694
7,438,675	B2 *	10/2008	Lin	.....	482/140
D582,996	S *	12/2008	Mehta	.....	D21/689

D584,367	S *	1/2009	Augustine et al.	.....	D21/662
7,625,323	B1 *	12/2009	Lin	.....	482/112
D631,519	S *	1/2011	Chen	.....	D21/689
D632,746	S *	2/2011	Wu	.....	D21/676
2007/0037677	A1 *	2/2007	Splane, Jr.	.....	482/121
2008/0207412	A1 *	8/2008	Lin	.....	482/140

\* cited by examiner

*Primary Examiner* — Susan E Krakower

(74) *Attorney, Agent, or Firm* — Jackson IPG PLLC

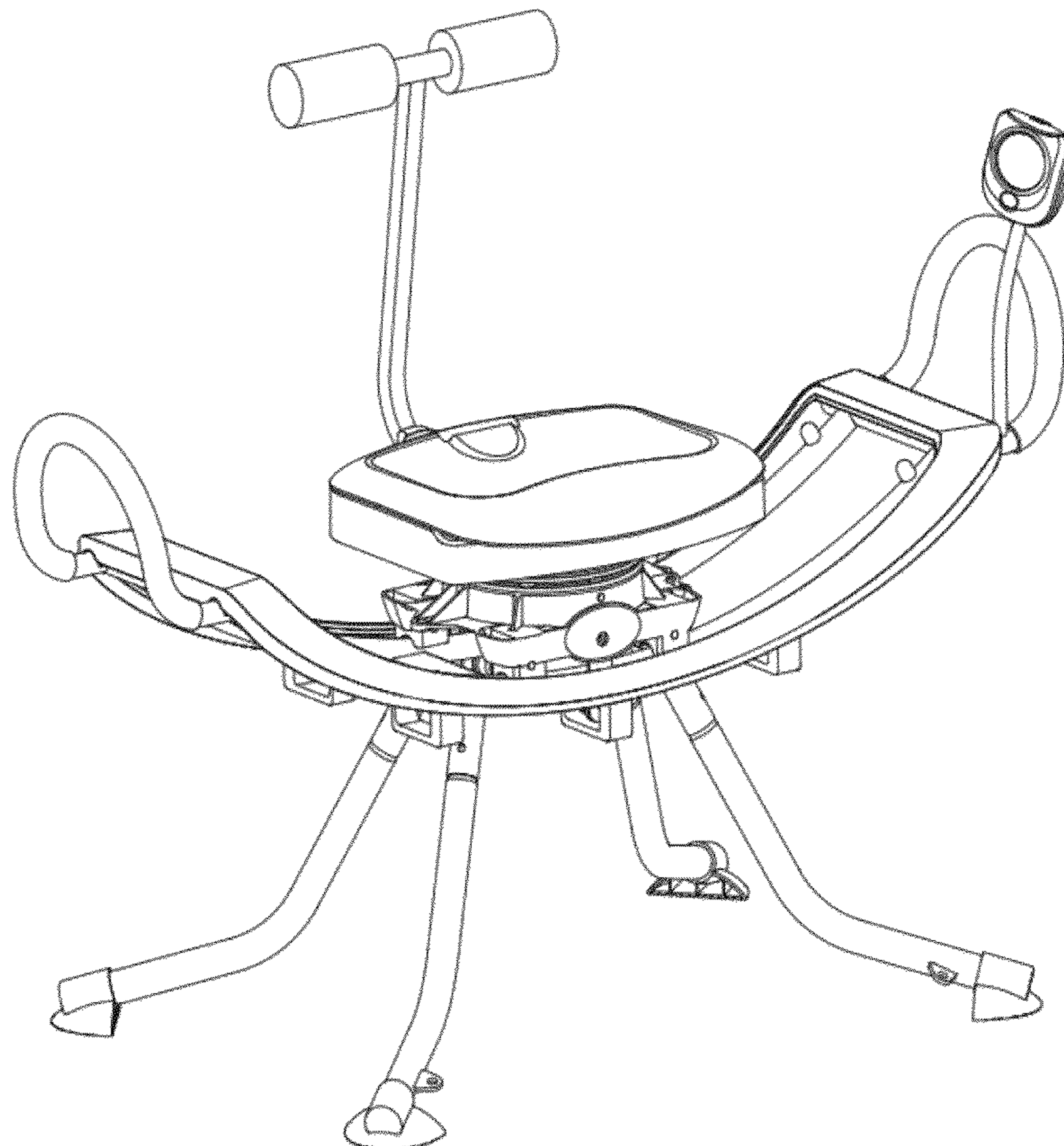
(57) **CLAIM**

I claim the ornamental design for a combined waist and hip exercising apparatus, as shown and described.

**DESCRIPTION**

FIG. 1 is a perspective view of a combined waist and hip exercising apparatus showing my new design;  
FIG. 2 is a front view thereof;  
FIG. 3 is a right side view thereof;  
FIG. 4 is a left side view thereof;  
FIG. 5 is a rear view thereof;  
FIG. 6 is a top plan view thereof; and,  
FIG. 7 is a bottom plan view thereof, where those portions of the design indicated by broken lines form no part of the claimed design.

**1 Claim, 6 Drawing Sheets**



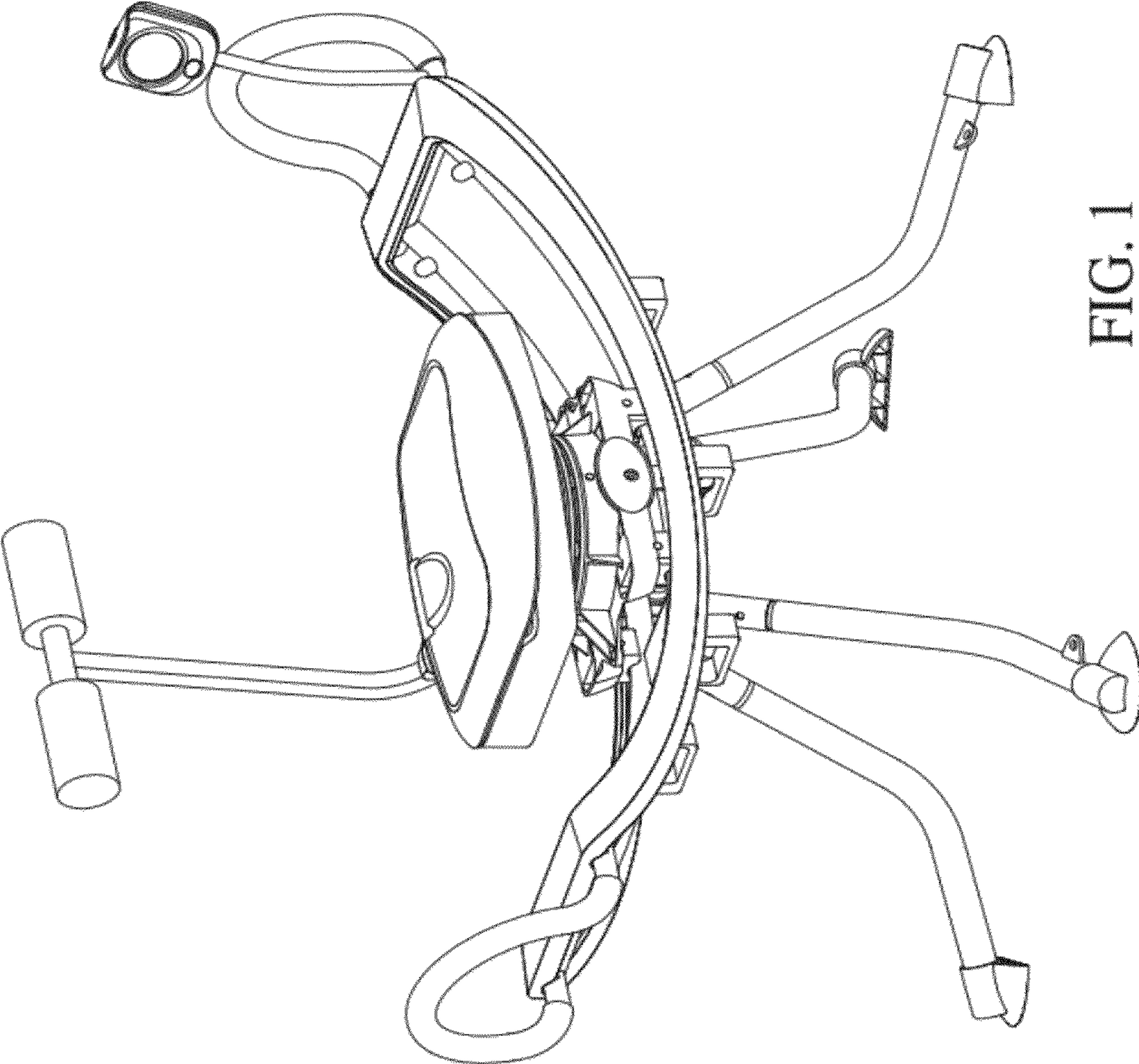


FIG. 1

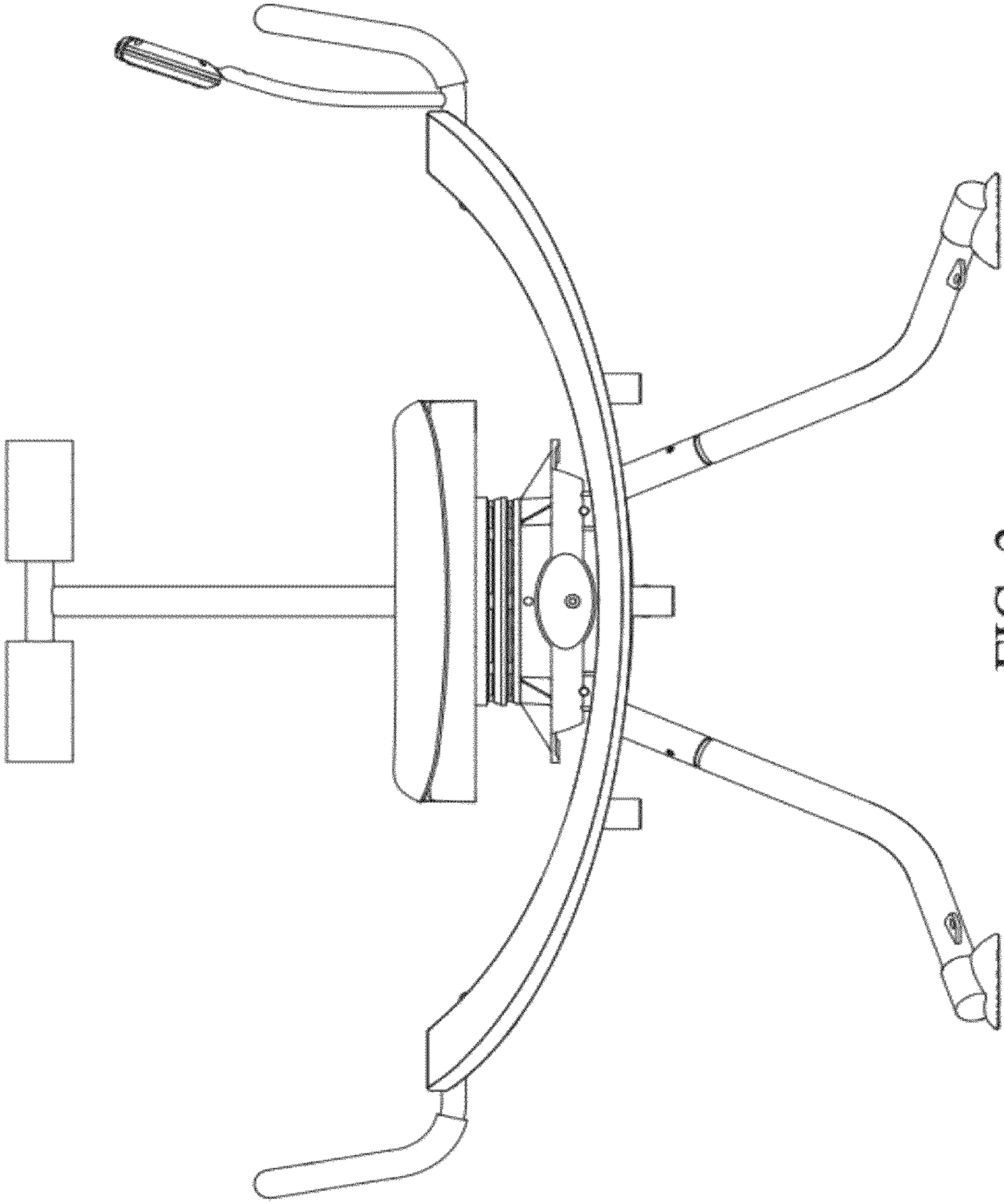


FIG. 2

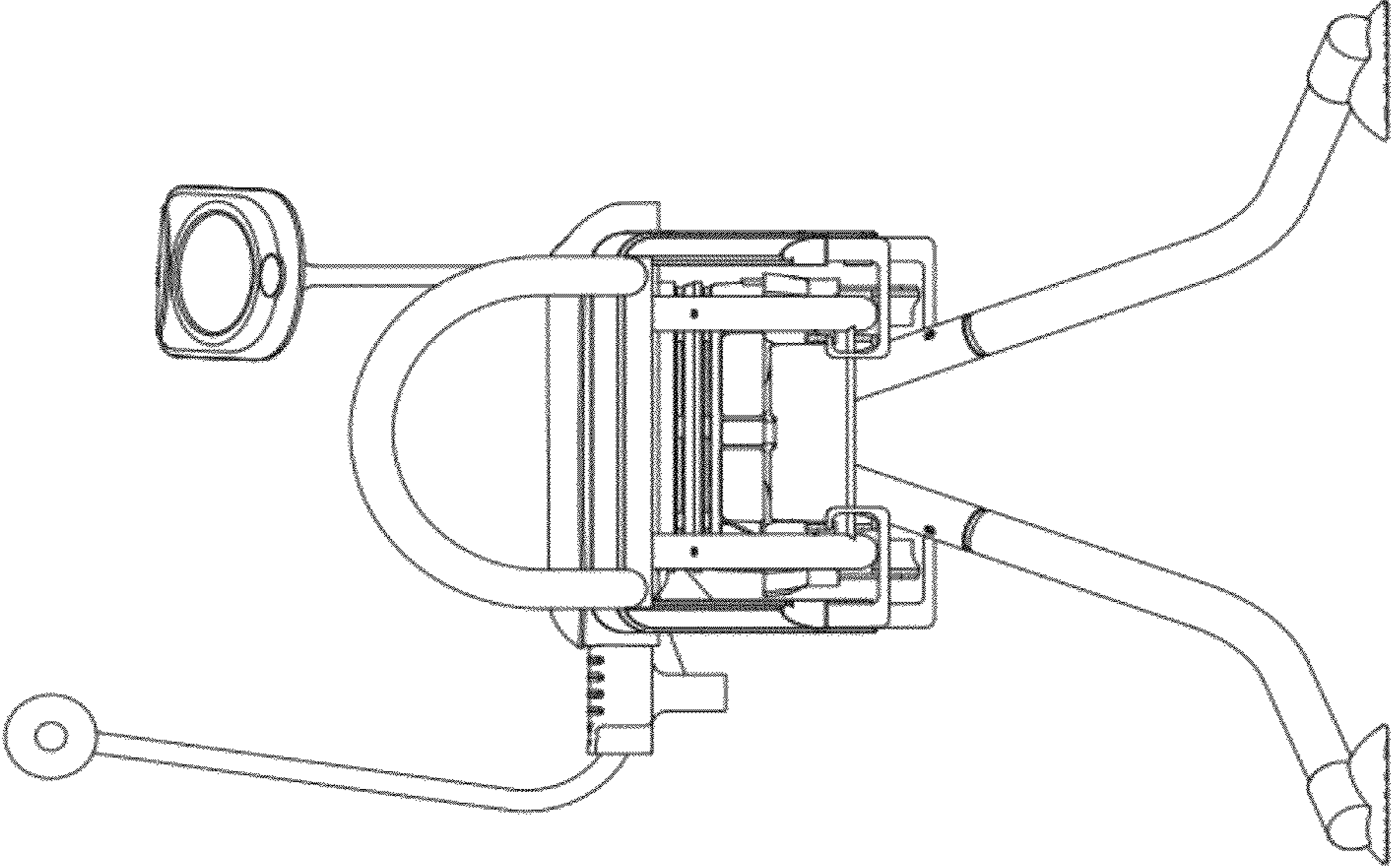


FIG. 4

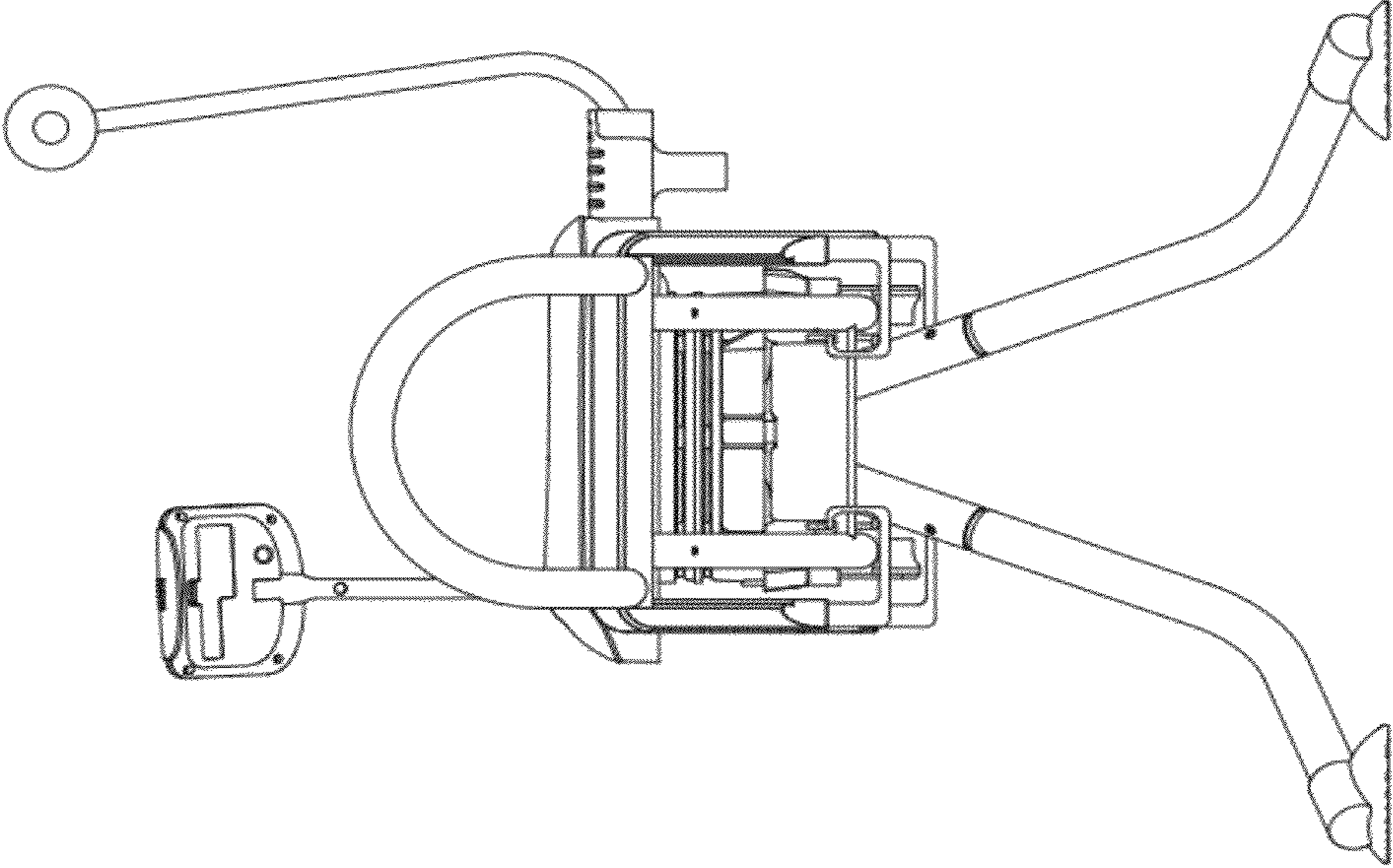


FIG. 3

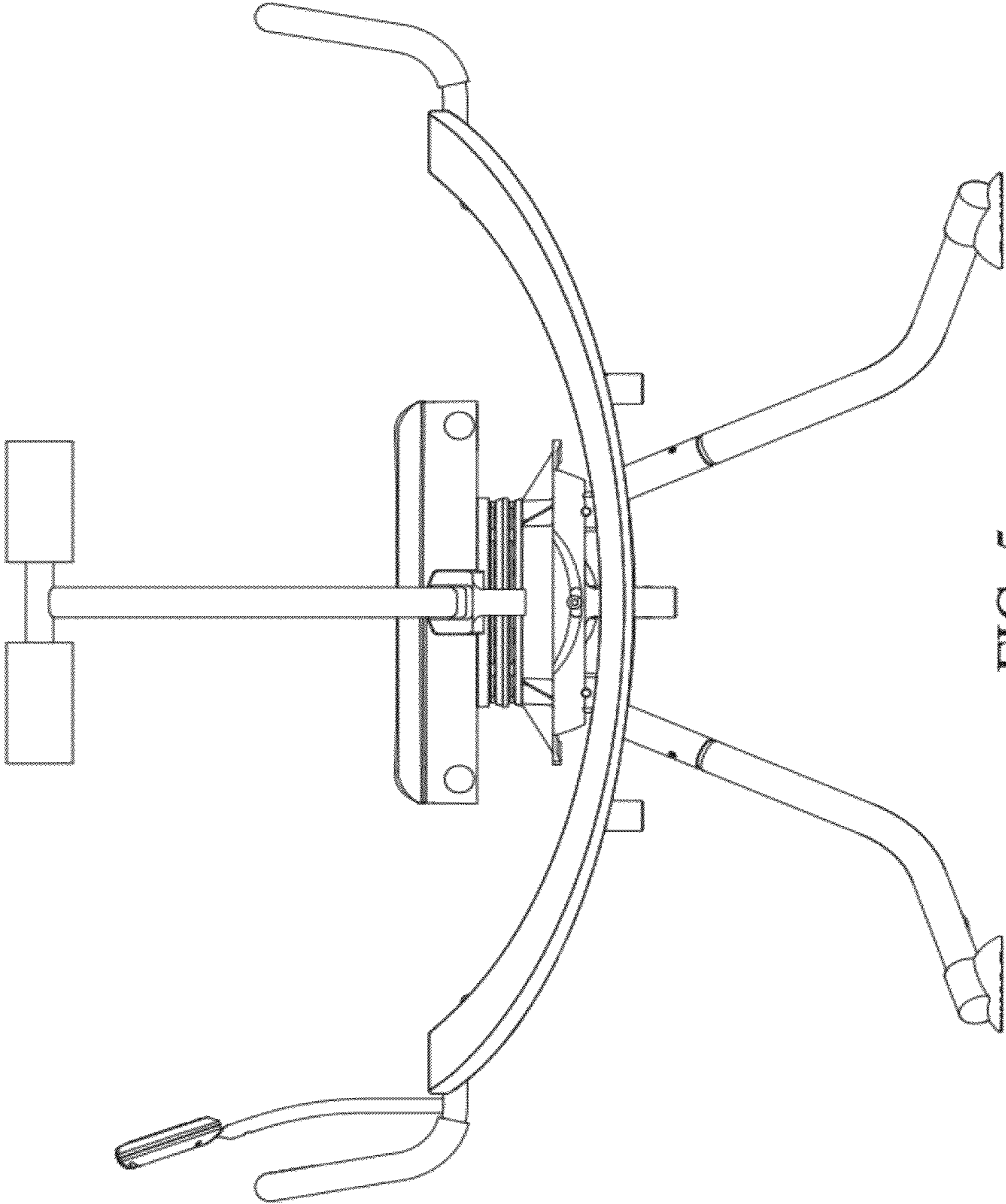


FIG. 5

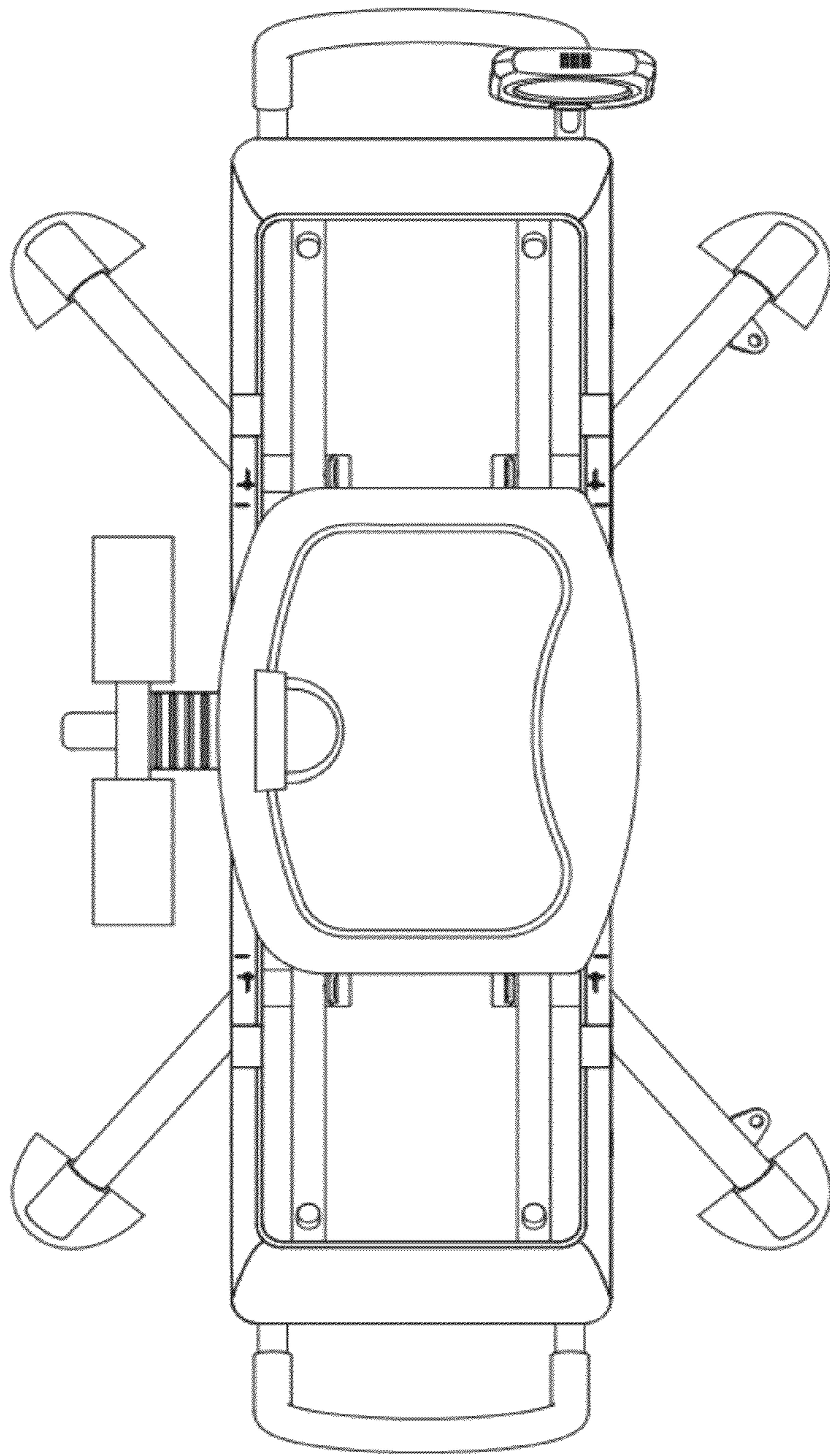


FIG. 6

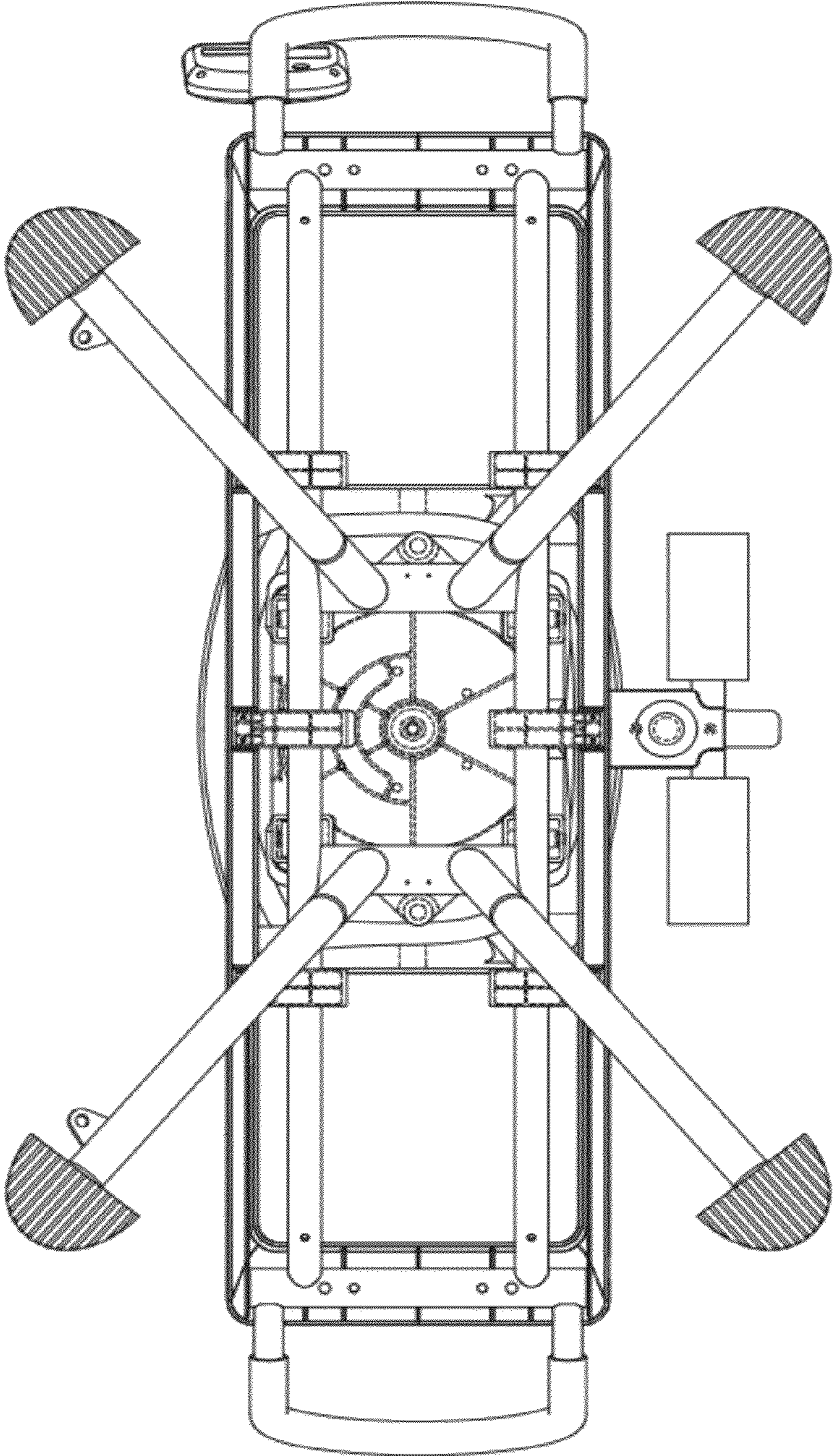


FIG. 7