



US00D663365S

(12) **United States Design Patent**  
**Vinther**

(10) **Patent No.:** **US D663,365 S**  
(45) **Date of Patent:** **\*\* Jul. 10, 2012**

(54) **VISUAL STIMULUS GAME**

D540,691 S \* 4/2007 Davies ..... D9/629  
7,337,904 B2 \* 3/2008 Hengami ..... 206/457  
D632,971 S \* 2/2011 Dudek et al. .... D9/629

(76) Inventor: **Franz Vinther**, Karlslunde (DK)

\* cited by examiner

(\*\*) Term: **14 Years**

*Primary Examiner* — Sandra Morris  
(74) *Attorney, Agent, or Firm* — QuickPatents, Inc.; Kevin Prince

(21) Appl. No.: **29/394,005**

(57) **CLAIM**  
I claim the ornamental design for a visual stimulus game, as shown and described.

(22) Filed: **Jun. 12, 2011**

**DESCRIPTION**

(51) **LOC (9) Cl.** ..... **21-01**

(52) **U.S. Cl.** ..... **D21/350; D21/385; D9/629**

(58) **Field of Classification Search** ..... D21/334–369,  
D21/385, 392–397; 273/236–288, 148 R;  
D19/60–62

FIG. 1 is a perspective view of a visual stimulus game, showing my new design;  
FIG. 2 is an exploded top perspective view thereof;  
FIG. 3 is an exploded bottom perspective view thereof;  
FIG. 4 is an exploded rear elevational view thereof;  
FIG. 5 is an exploded front elevational view thereof;  
FIG. 6 is an exploded left-side elevational view thereof, the right-side elevational view being a mirror image thereof;  
FIG. 7 is a top plan view of the cover thereof;  
FIG. 8 is a top plan view of the bottom thereof;  
FIG. 9 is a bottom plan view of the cover;  
FIG. 10 is a top plan view of a game piece thereof; and,  
FIG. 11 is a bottom plan view of the game piece.

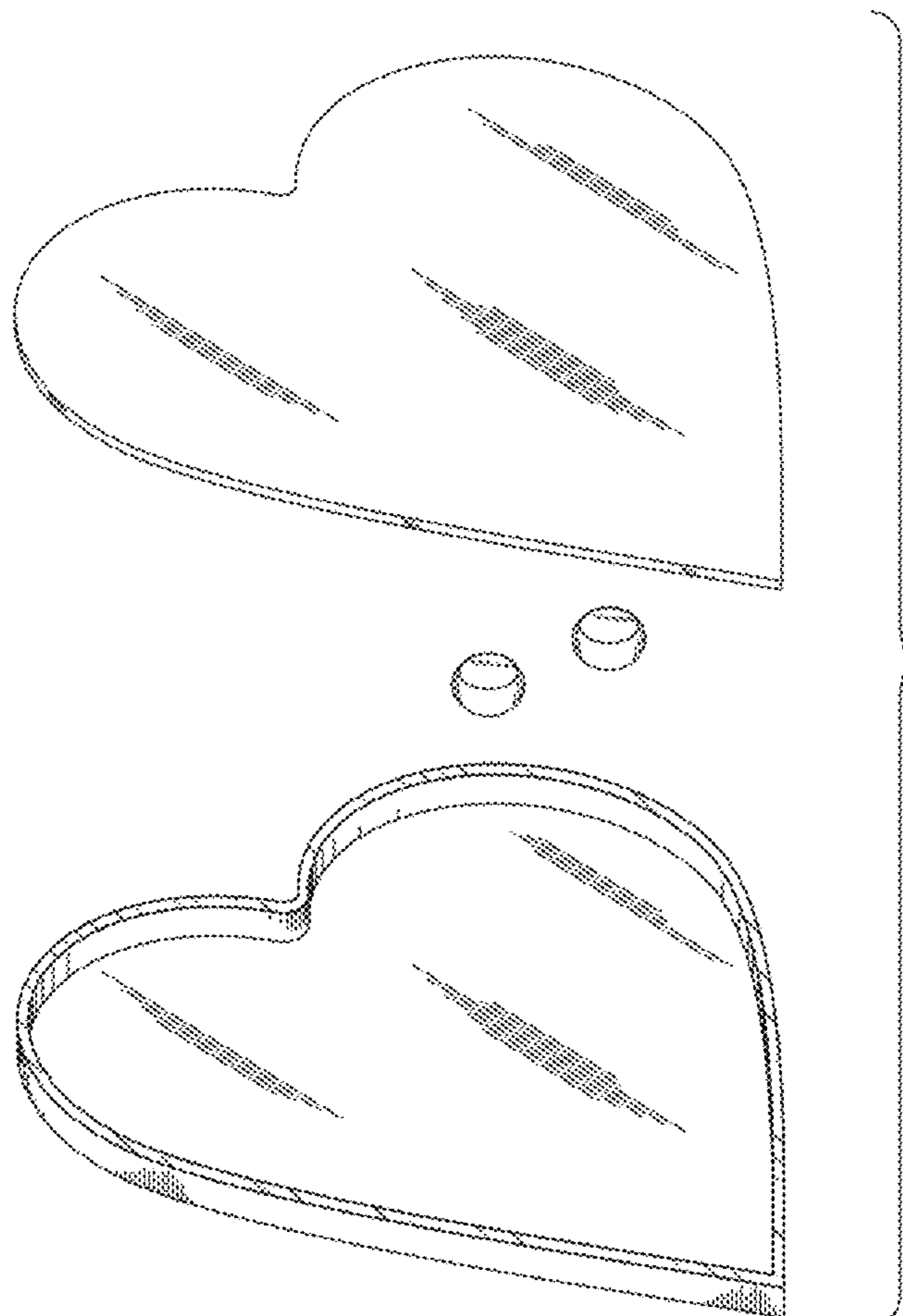
See application file for complete search history.

(56) **References Cited**

**U.S. PATENT DOCUMENTS**

3,016,178 A \* 1/1962 Knocks ..... D9/629  
D364,102 S \* 11/1995 Coleman, Jr. .... D21/350  
D476,865 S \* 7/2003 Zudal ..... D21/386  
D498,668 S \* 11/2004 Counts ..... D9/629  
D538,175 S \* 3/2007 Davies ..... D9/629

**1 Claim, 7 Drawing Sheets**



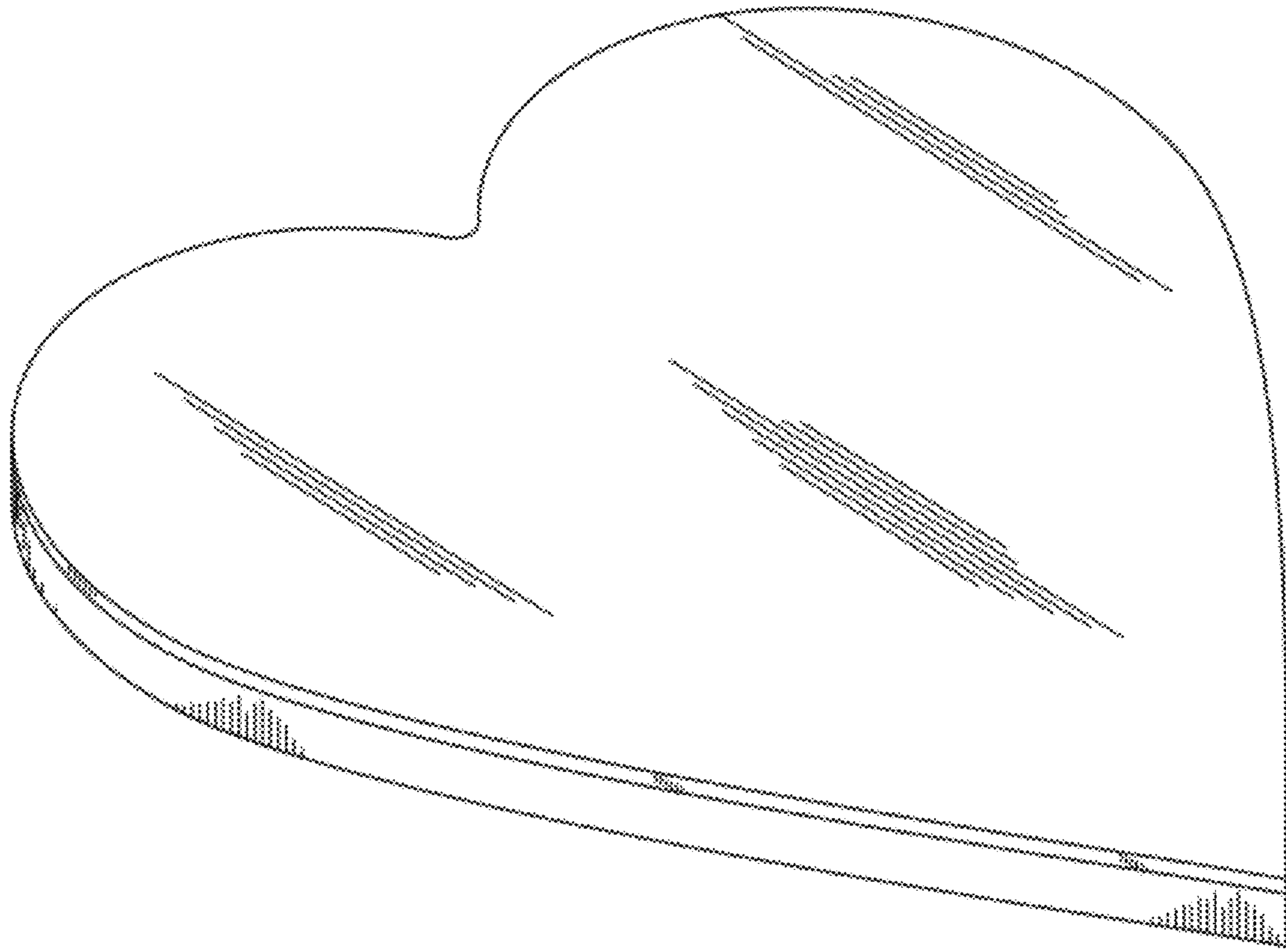


FIG. 1



FIG. 10



FIG. 11

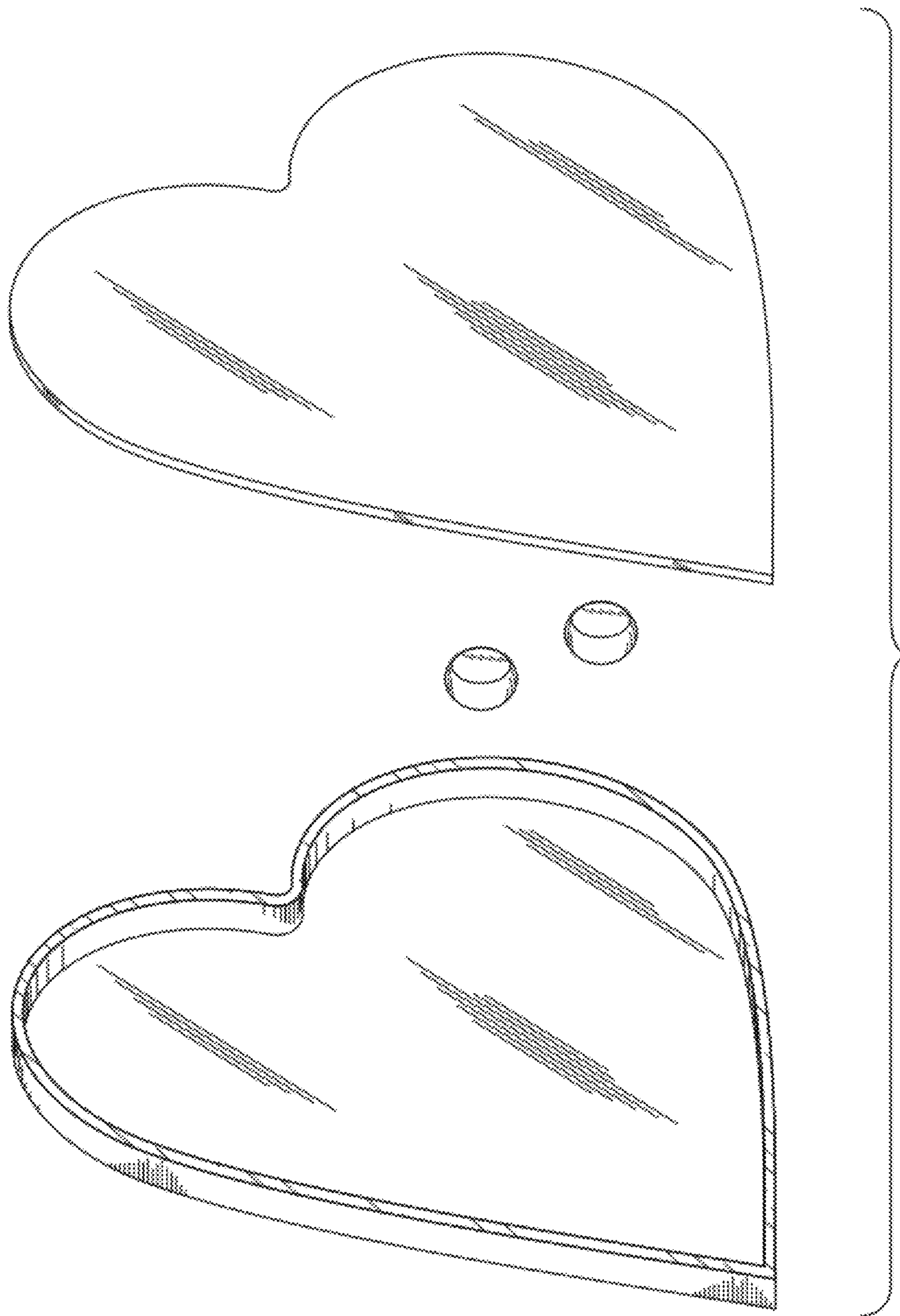


FIG. 2

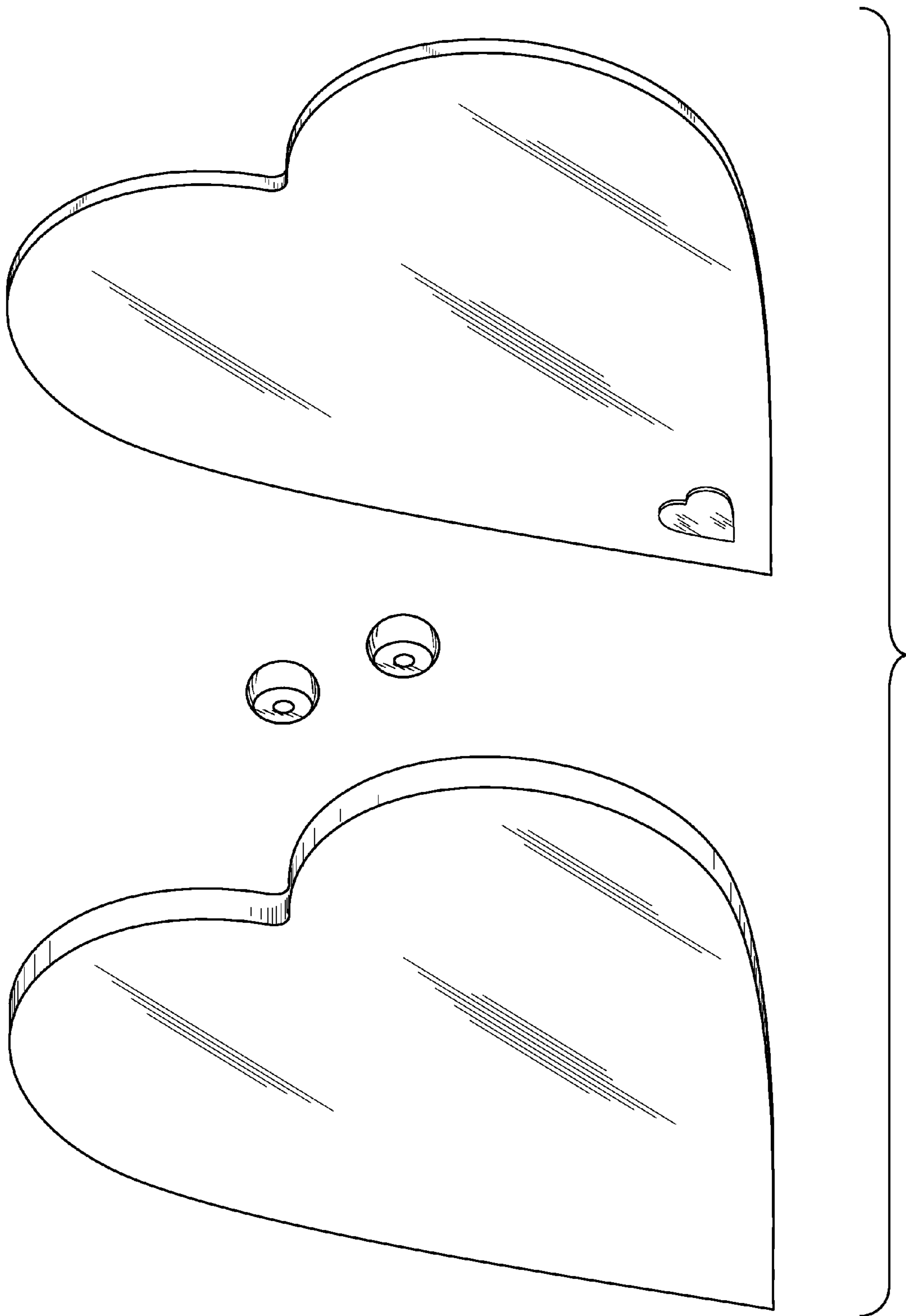


FIG. 3

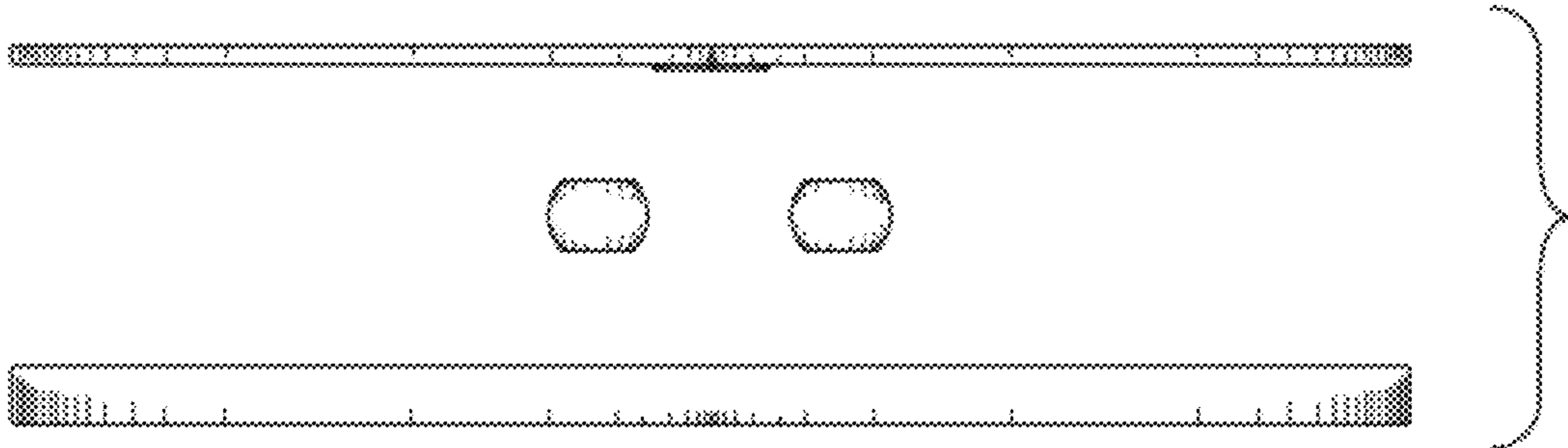


FIG. 4

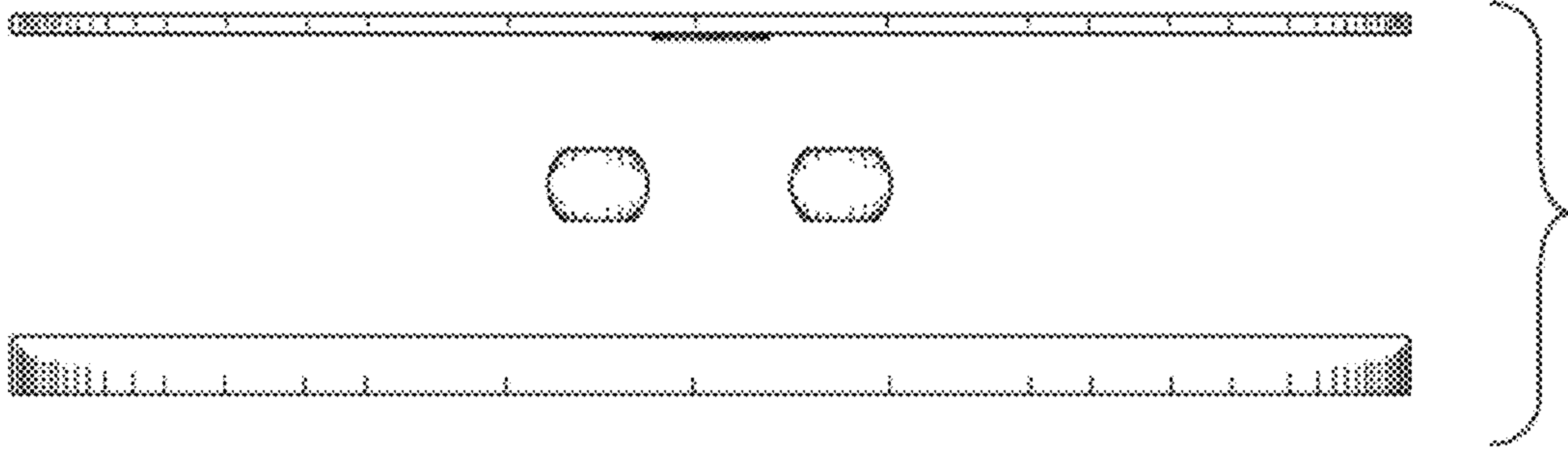


FIG. 5

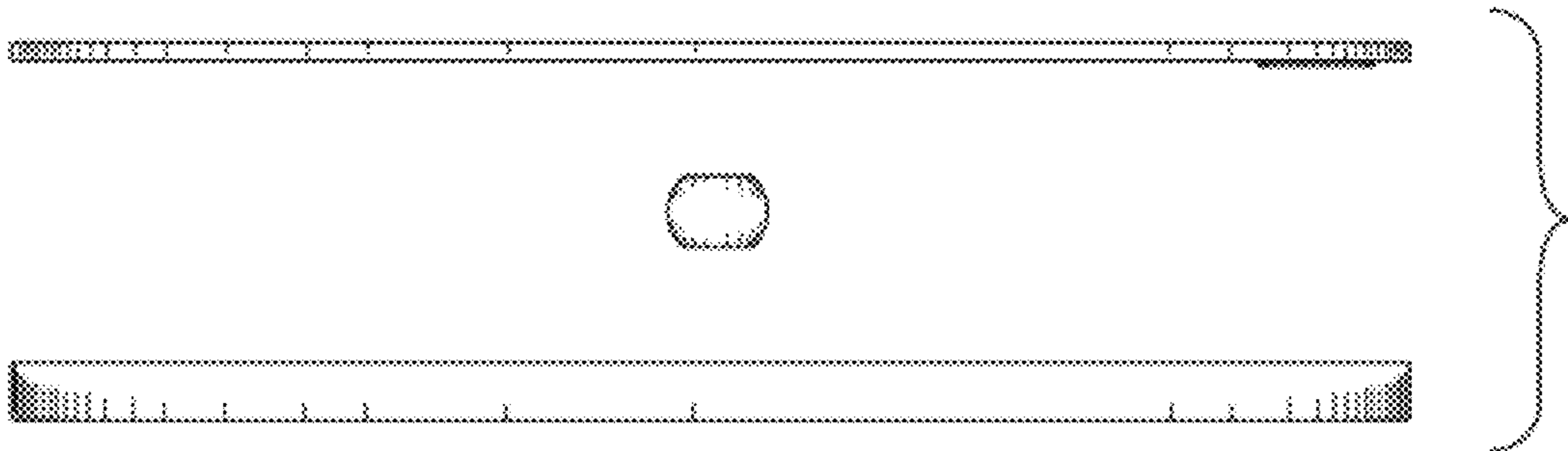


FIG. 6

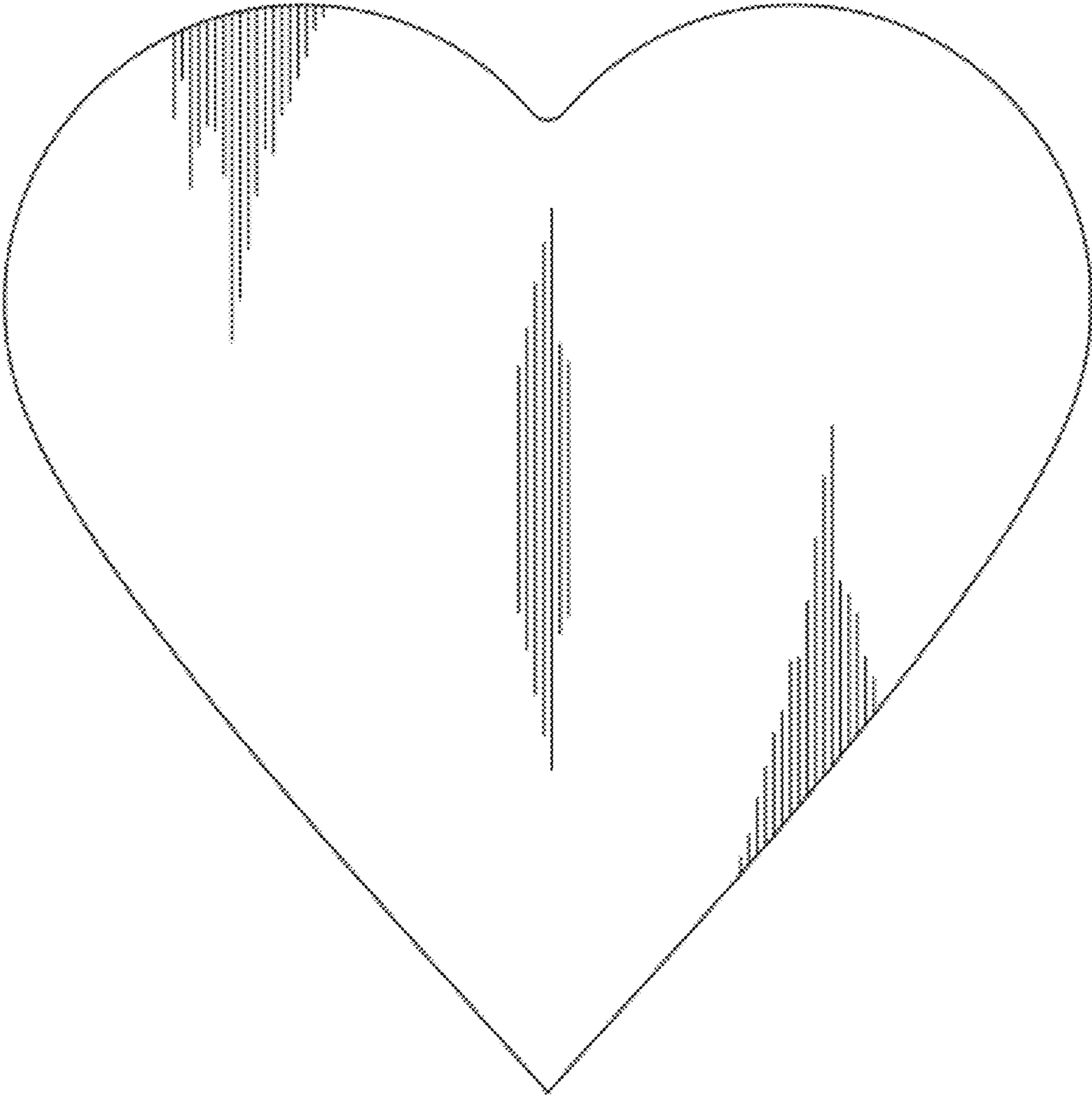


FIG. 7

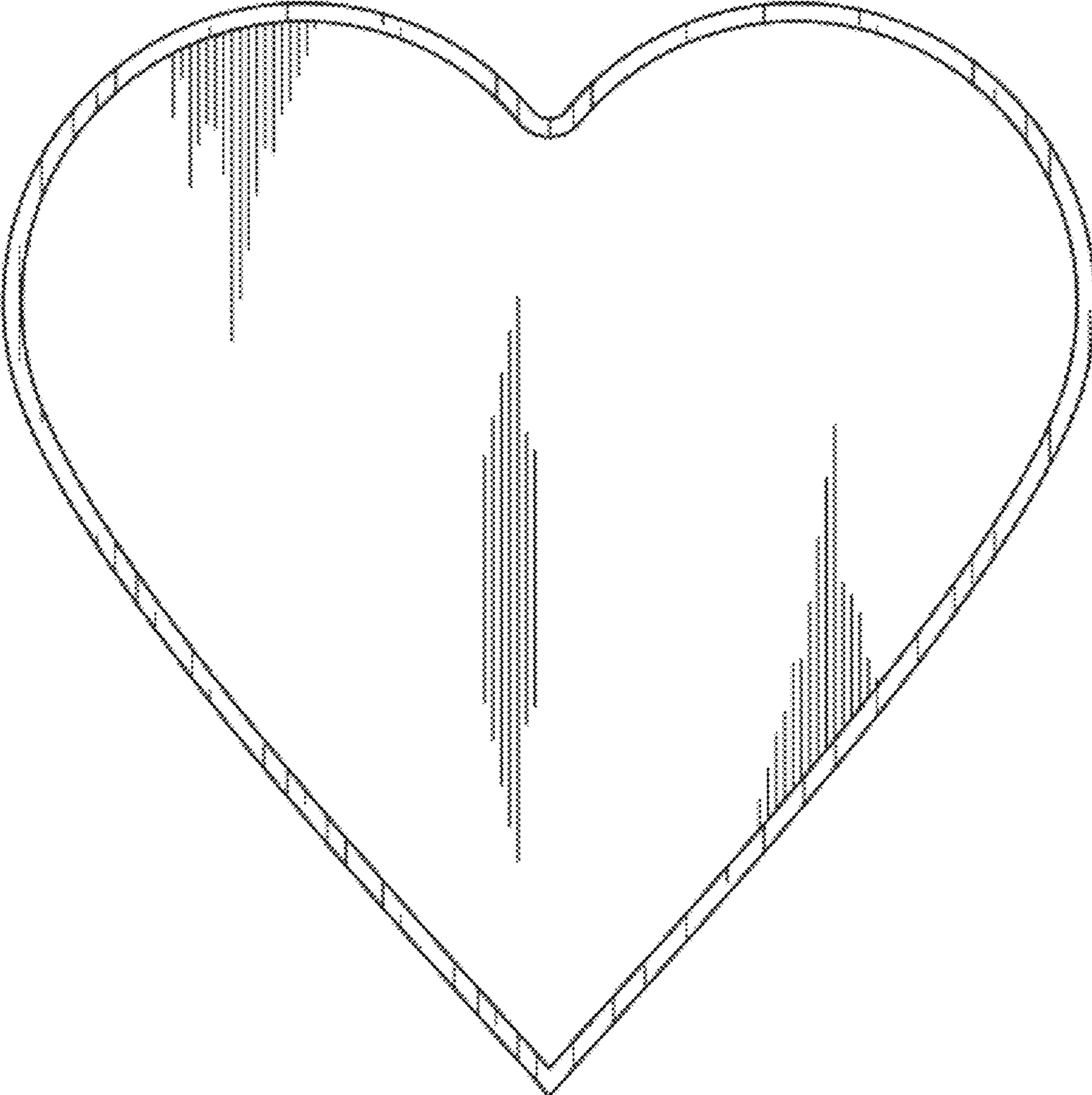


FIG. 8

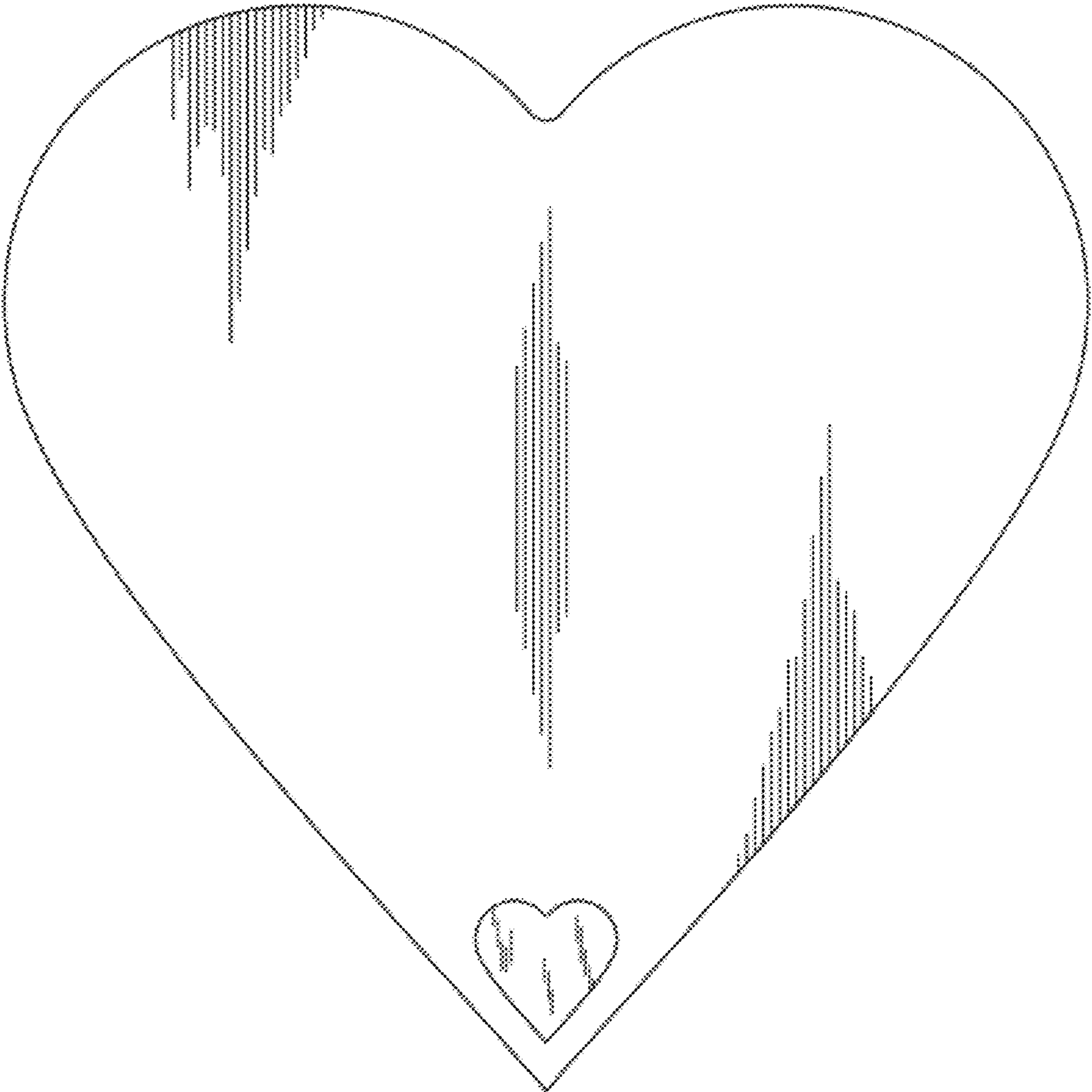


FIG. 9