



US00D663364S

(12) **United States Design Patent**
Allmandinger

(10) **Patent No.:** **US D663,364 S**
(45) **Date of Patent:** **** Jul. 10, 2012**

(54) **FLOATING TABLE**

(76) Inventor: **Michael S. Allmandinger**, Walcott, IA
(US)

(**) Term: **14 Years**

(21) Appl. No.: **29/387,404**

(22) Filed: **Mar. 12, 2011**

(51) **LOC (9) Cl.** **21-01**

(52) **U.S. Cl.** **D21/341; D21/397**

(58) **Field of Classification Search** D21/313,
D21/316, 321, 334-369, 385-389, 392-397;
273/236-292, 148 R

See application file for complete search history.

(56) **References Cited**

U.S. PATENT DOCUMENTS

D35,307 S	11/1901	Allenbaugh	
D97,001 S *	9/1935	Reichard	D21/321
D142,122 S *	8/1945	Rolley	D21/341
D187,870 S	5/1960	Arlington	
D220,634 S *	5/1971	Fontana	D21/316
D260,207 S	8/1981	Whyte	
4,513,964 A *	4/1985	Gunderson	273/126 R
D366,190 S *	1/1996	Vance et al.	D21/348
D477,638 S	7/2003	Kostelnik	
D492,380 S	6/2004	Zheng	
D538,355 S *	3/2007	Tyson	D21/397
7,325,807 B1	2/2008	Eason	
D571,623 S	6/2008	Loving	
D579,501 S	10/2008	Sierra et al.	
7,516,960 B1	4/2009	Battiste	
D592,268 S	5/2009	Montagnino	

2004/0188942 A1 * 9/2004 Trokan 273/342
2006/0226606 A1 * 10/2006 Finley et al. 273/342
2009/0194941 A1 8/2009 Boyd et al.

* cited by examiner

Primary Examiner — Sandra Morris

(74) *Attorney, Agent, or Firm* — QuickPatents, Inc.; Kevin Prince

(57) **CLAIM**

I claim the ornamental design for a floating table, as shown and described.

DESCRIPTION

FIG. 1 is a perspective view of a floating table, showing a first embodiment of the new design;

FIG. 2 is a front elevational view thereof;

FIG. 3 is a rear elevational view thereof;

FIG. 4 is a left-side elevational view thereof;

FIG. 5 is a right-side elevational view thereof;

FIG. 6 is a top plan view thereof;

FIG. 7 is a bottom plan view thereof;

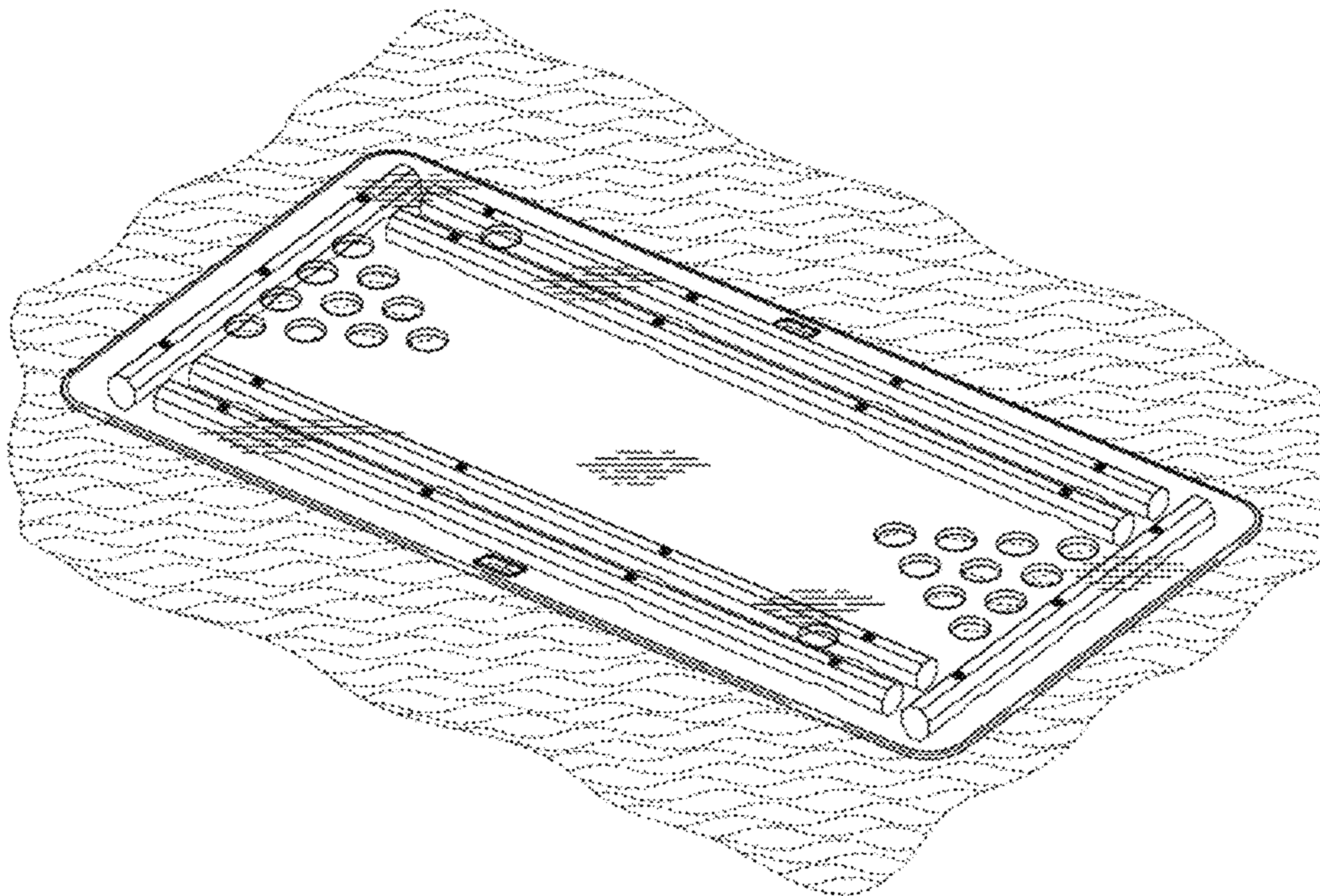
FIG. 8 is a perspective view of a second embodiment of the invention;

FIG. 9 is a top plan view of FIG. 8; and,

FIG. 10 is a bottom plan view of FIG. 8.

The broken lines showing water in FIGS. 1 and 8 are included for the purpose of illustrating environmental matter while the invention is in use, and form no part of the claimed design. The left, right, front, and rear elevational views of the second embodiment are understood to be substantially identical with those views of the first embodiment.

1 Claim, 8 Drawing Sheets



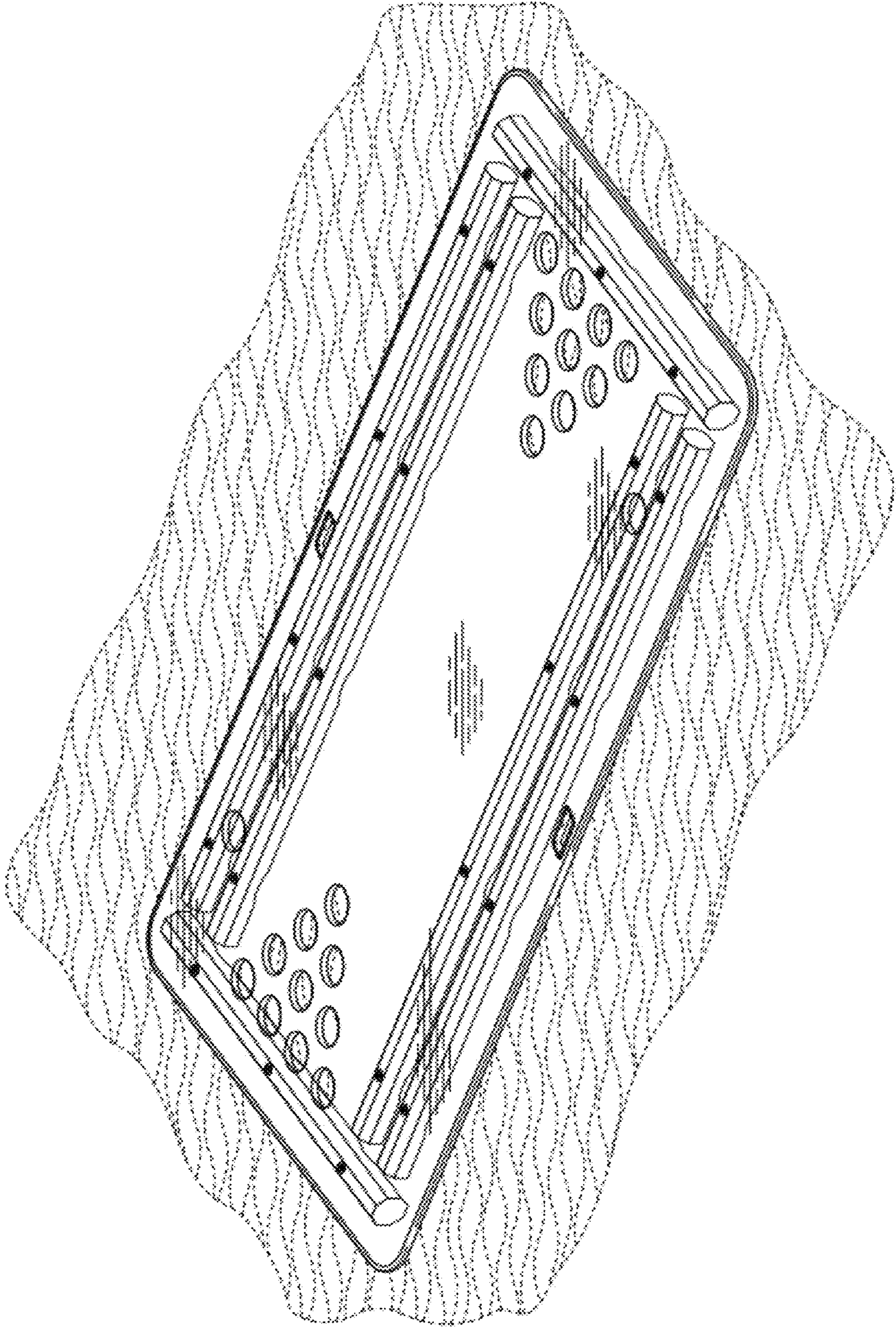


FIG. 1

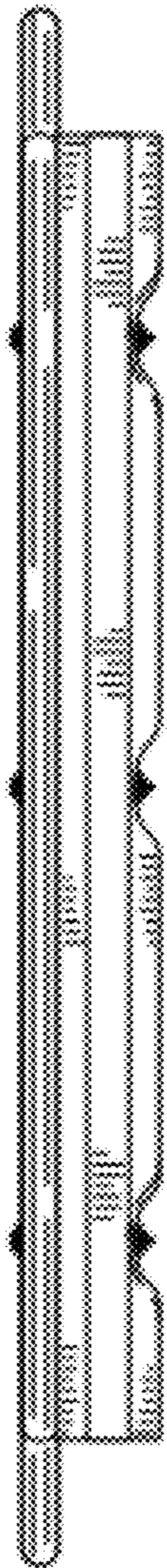


FIG. 2



FIG. 3



FIG. 4



FIG. 5

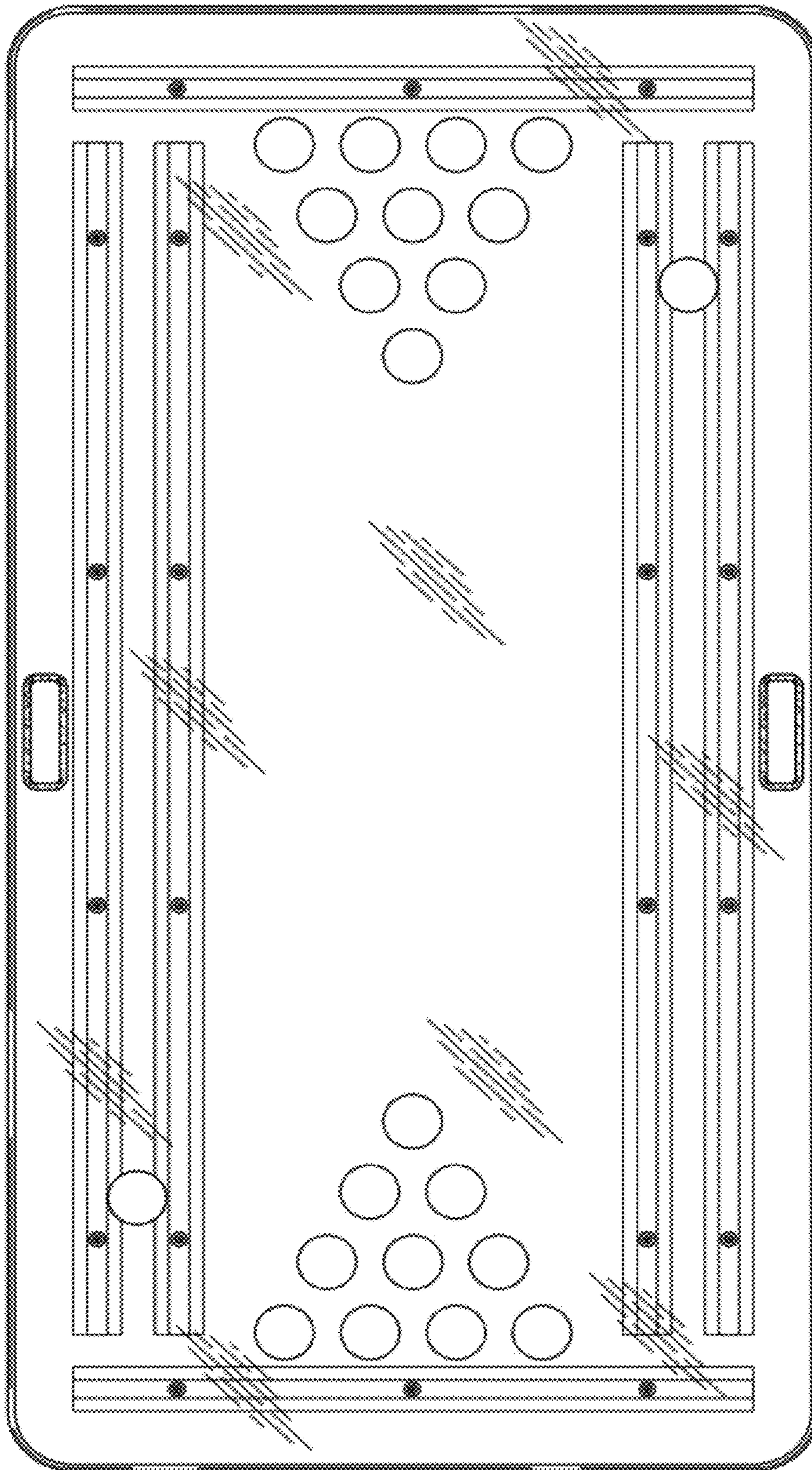


FIG. 6

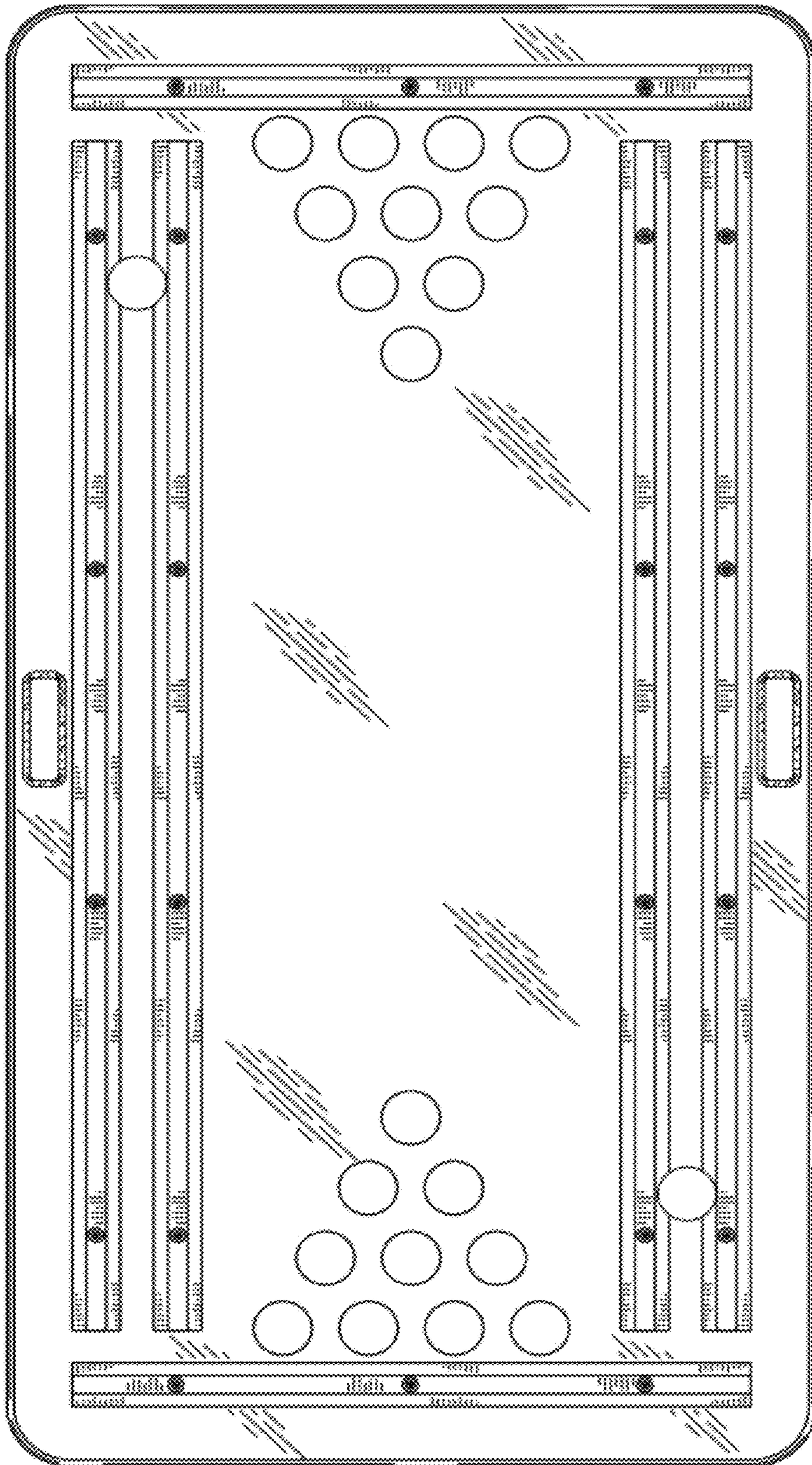


FIG. 7

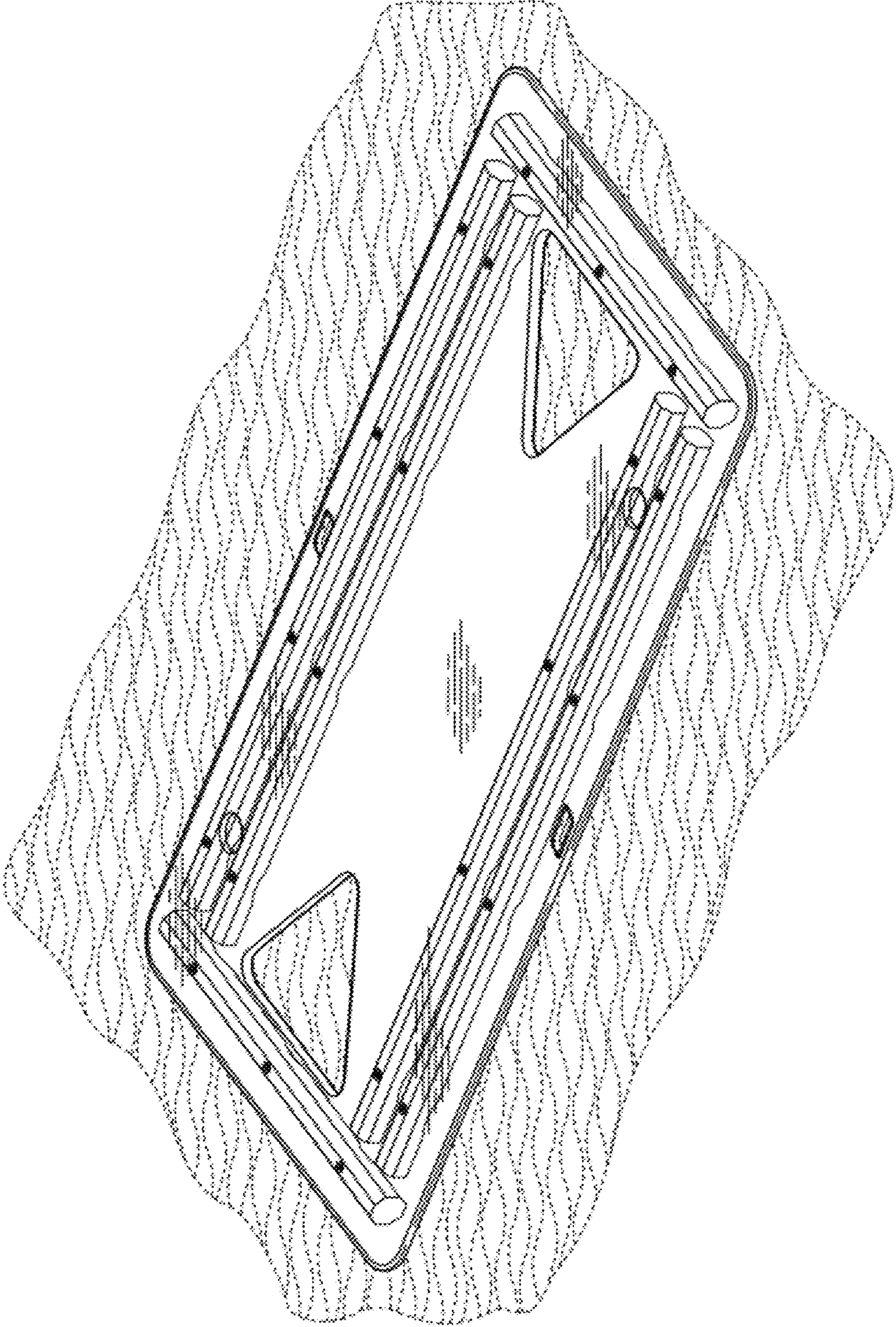


FIG. 8

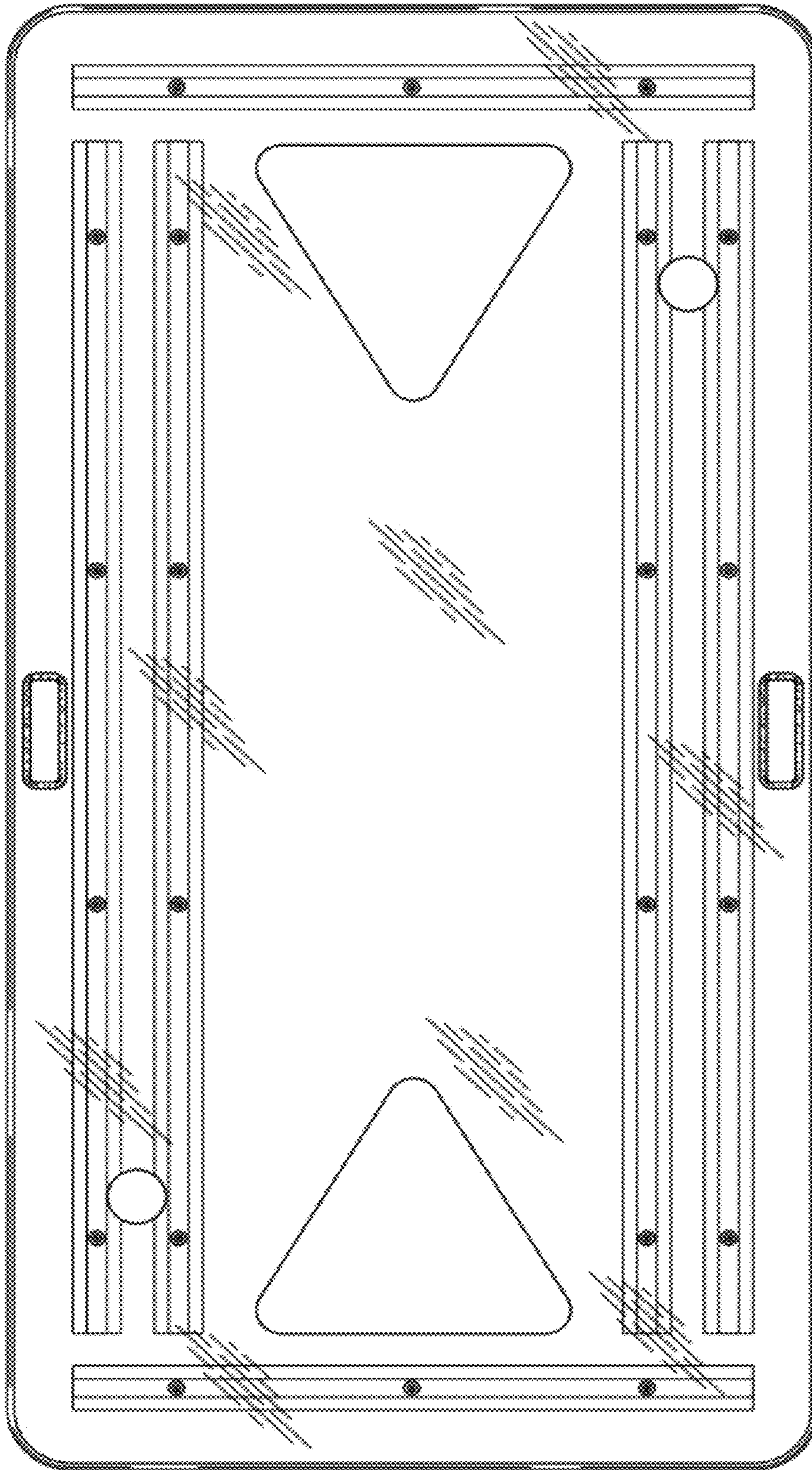


FIG. 9

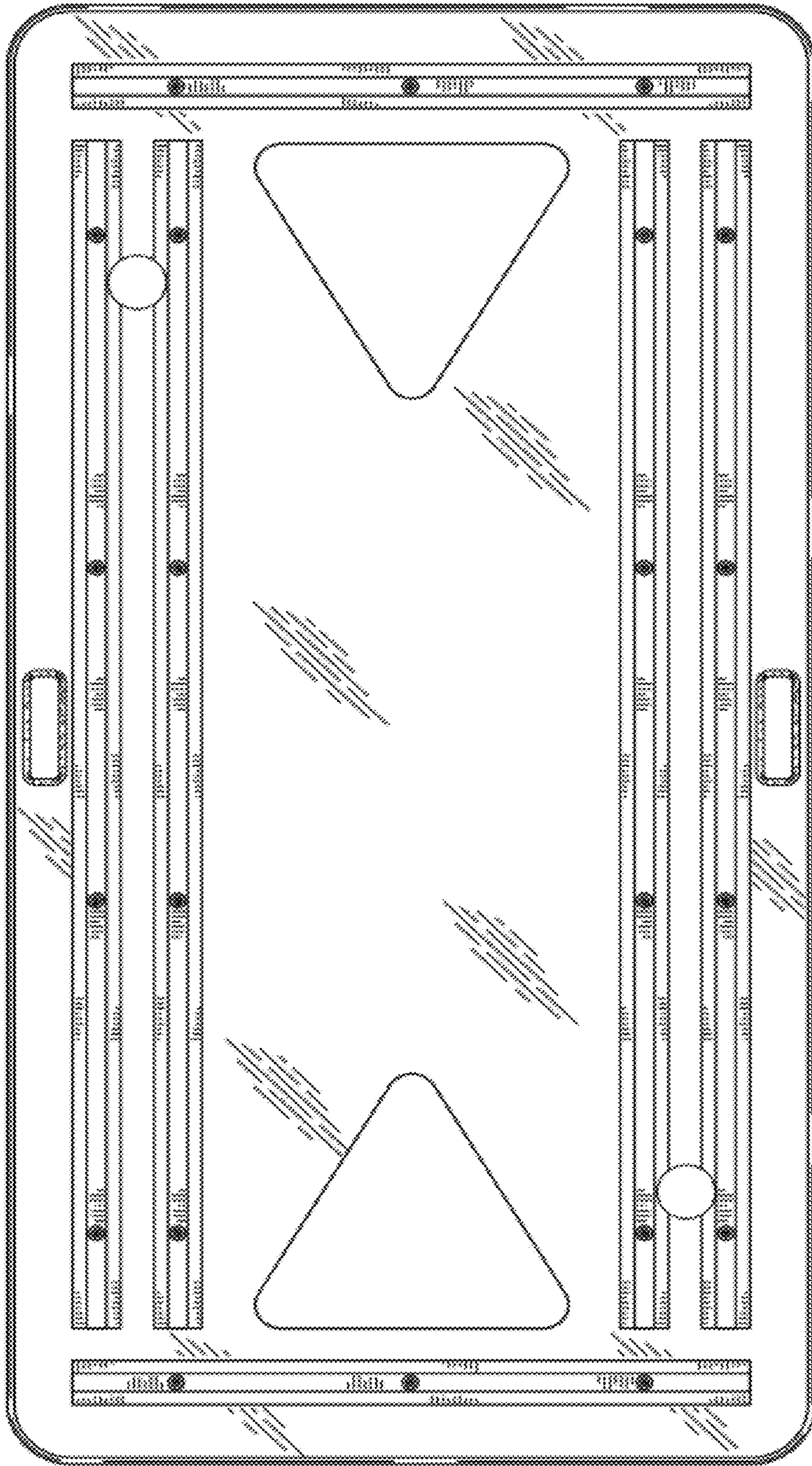


FIG. 10