

US00D663363S

(12) **United States Design Patent**
Garfinkle

(10) **Patent No.:** **US D663,363 S**

(45) **Date of Patent:** **** Jul. 10, 2012**

(54) **TRAY SUPPORTED TAG HOLDER**

(76) Inventor: **Benjamin L. Garfinkle**, Piedmont, CA
(US)

(**) Term: **14 Years**

(21) Appl. No.: **29/411,543**

(22) Filed: **Jan. 23, 2012**

(51) **LOC (9) Cl.** **20-02**

(52) **U.S. Cl.** **D20/43**

(58) **Field of Classification Search** D20/10,
D20/19, 43, 44, 99; 40/642.01, 643.02, 647-655,
40/657-661, 661.03, 661.05, 661.06, 661.07,
40/661.11

See application file for complete search history.

(56) **References Cited**

U.S. PATENT DOCUMENTS

| | | | | | |
|-----------|------|---------|----------------|-------|--------|
| 1,417,325 | A * | 5/1922 | Hopp et al. | | 40/658 |
| D205,923 | S * | 10/1966 | McCormick | | D20/43 |
| 6,651,369 | B1 * | 11/2003 | Keating et al. | | 40/658 |
| D651,256 | S * | 12/2011 | Garfinkle | | D20/43 |

| | | | | | |
|--------------|------|---------|-----------|-------|--------|
| D651,257 | S * | 12/2011 | Garfinkle | | D20/43 |
| 2002/0029505 | A1 * | 3/2002 | Faneuf | | 40/658 |
| 2009/0049726 | A1 * | 2/2009 | Jenkins | | 40/658 |

* cited by examiner

Primary Examiner — Mary Ann Calabrese

(74) *Attorney, Agent, or Firm* — Bay Area Technology Law Group PC

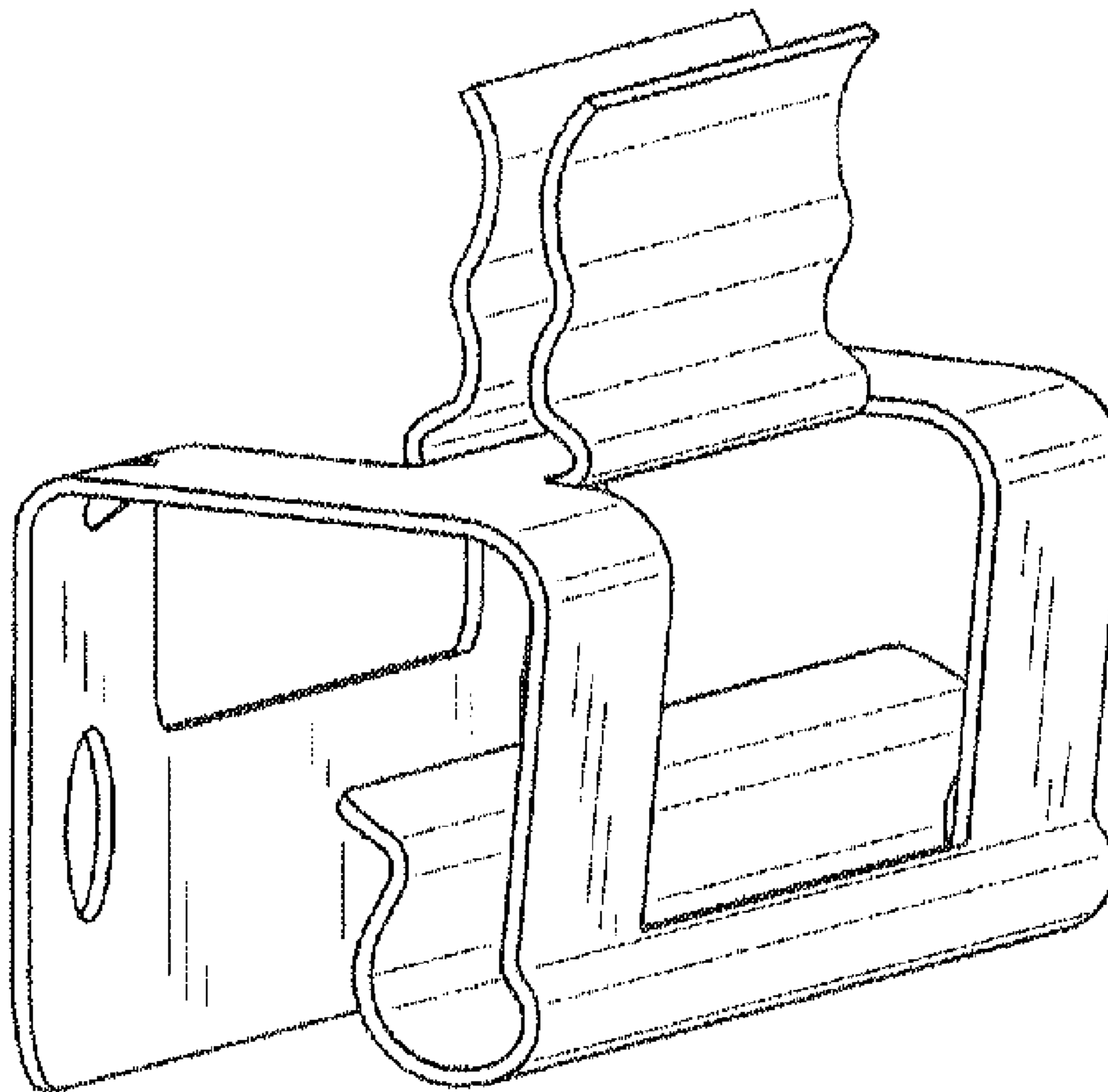
(57) **CLAIM**

The ornamental design for a tray supported tag holder, as shown and described.

DESCRIPTION

FIG. 1 is a perspective view of a tray supported tag holder showing my new design;
FIG. 2 is a right side view of FIG. 1;
FIG. 3 is a left side view of FIG. 1;
FIG. 4 is a rear view of FIG. 1;
FIG. 5 is a front view of FIG. 1;
FIG. 6 is a top plan view of FIG. 1; and,
FIG. 7 is a bottom plan view of FIG. 1.

1 Claim, 3 Drawing Sheets



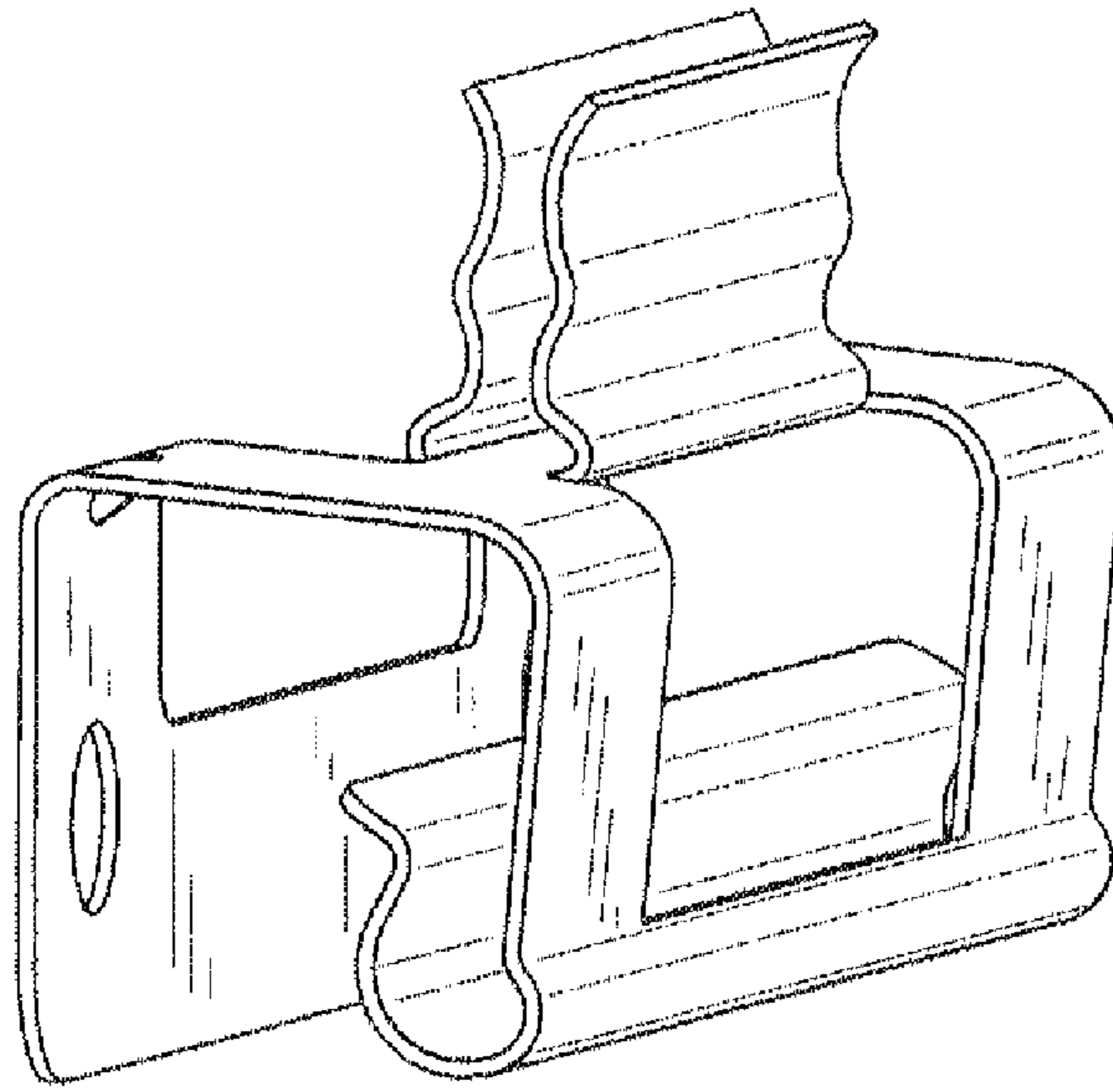


FIG. 1

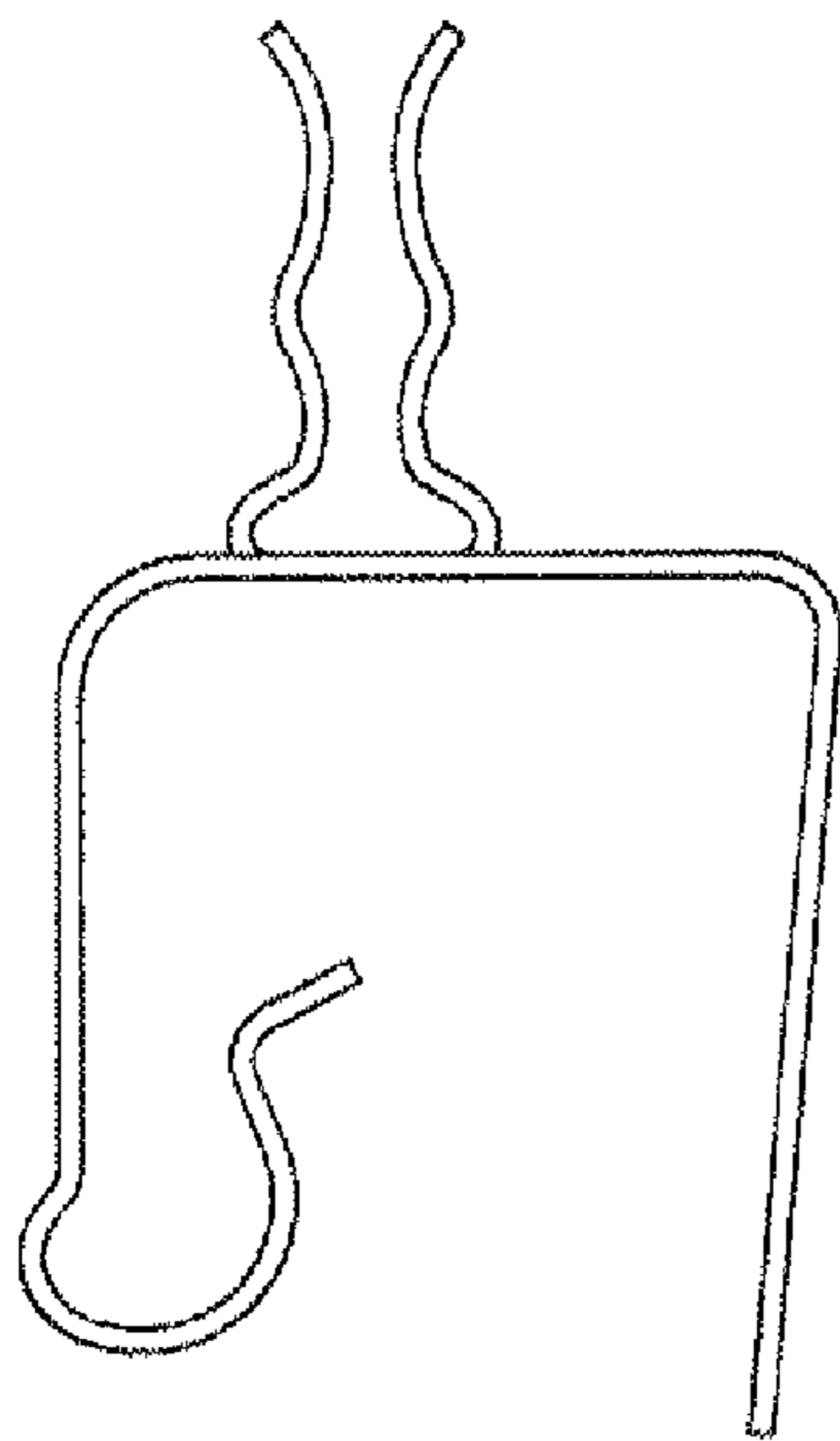


FIG. 2

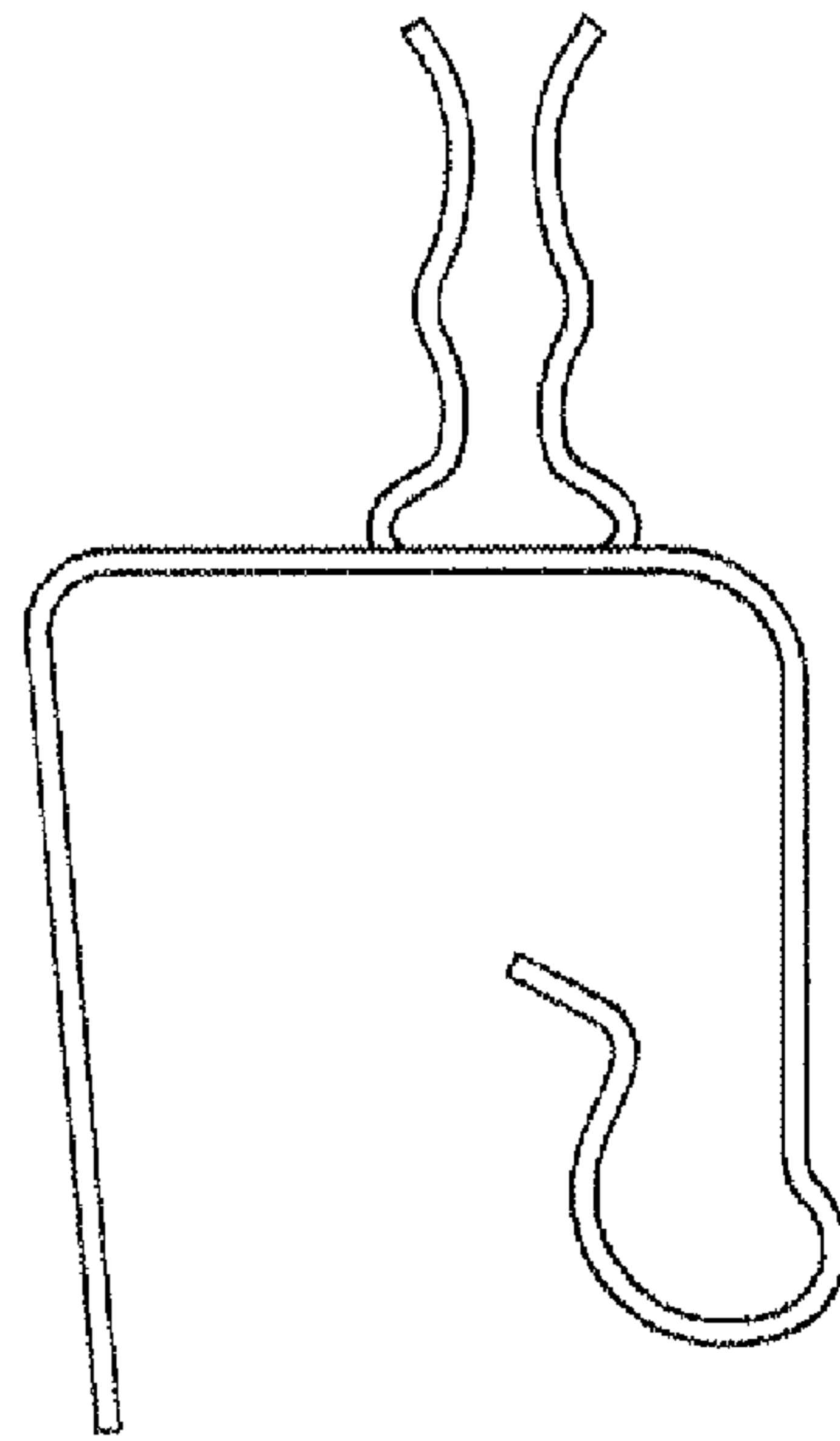


FIG. 3

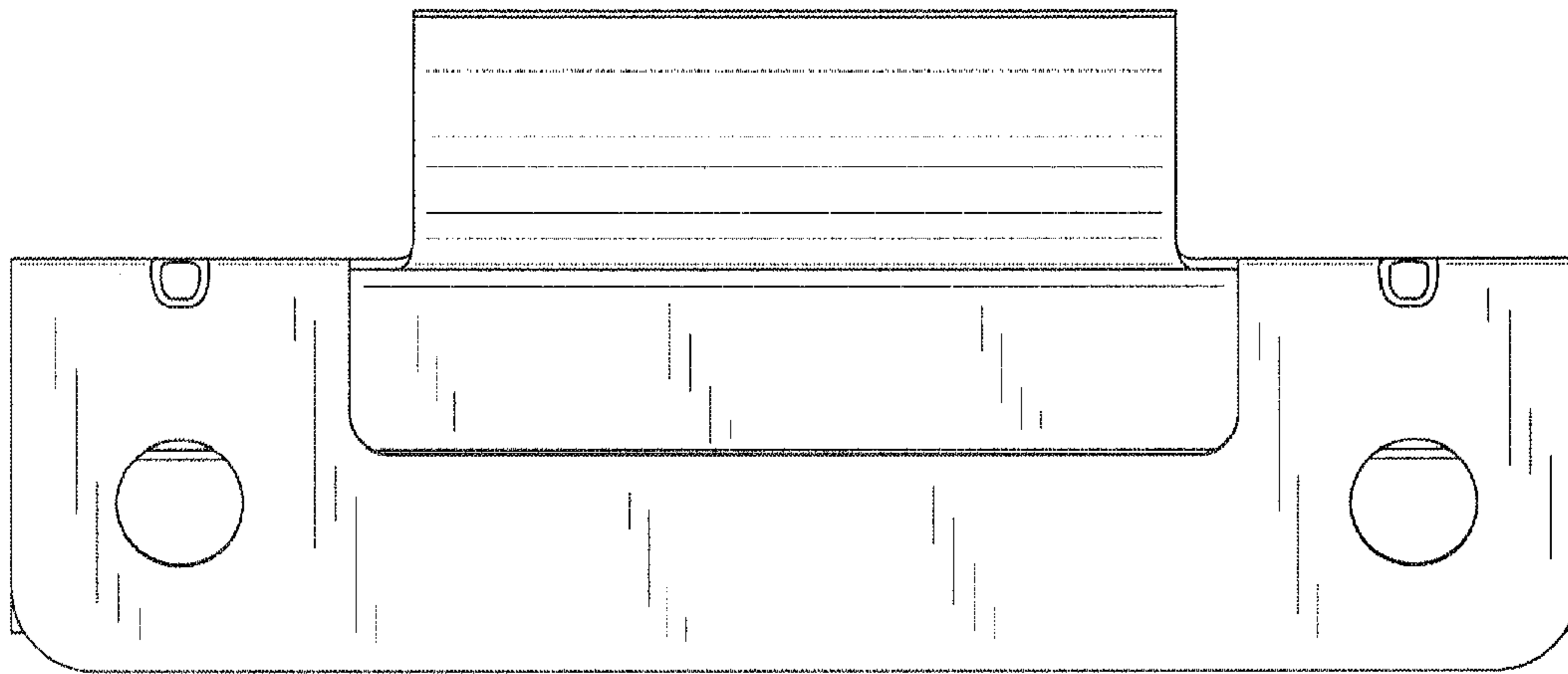


FIG. 4

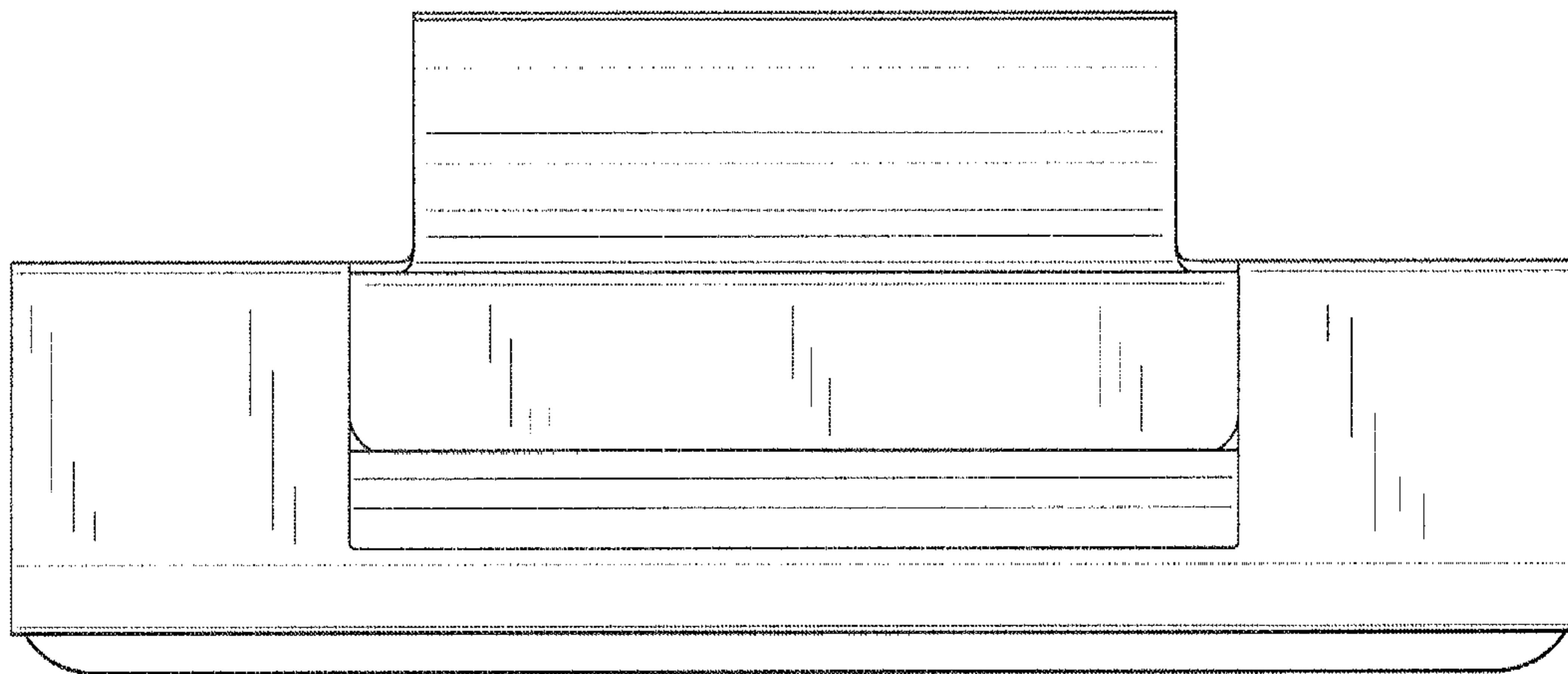


FIG. 5

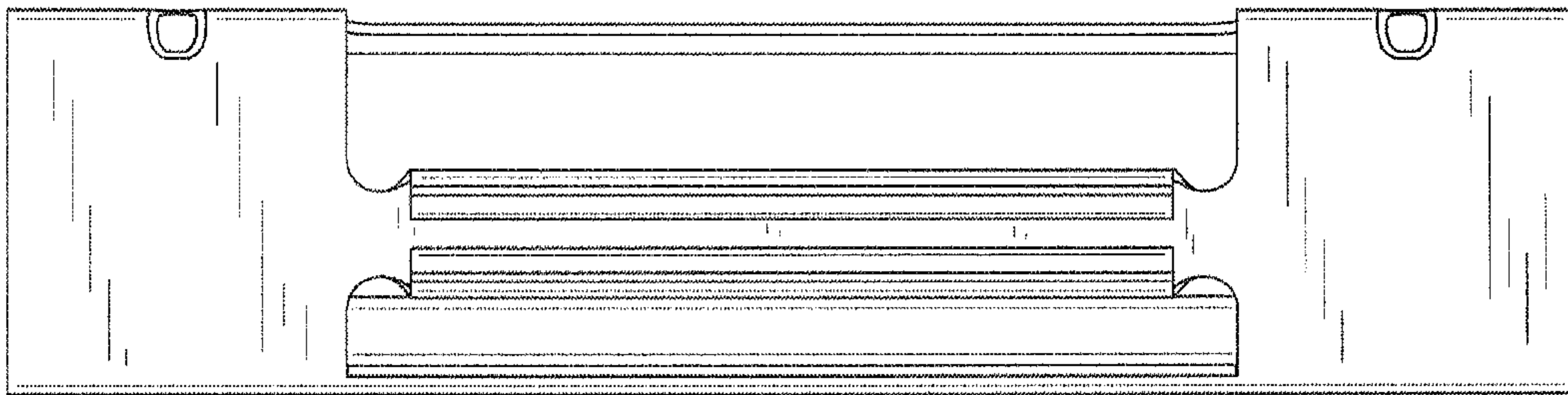


FIG. 6

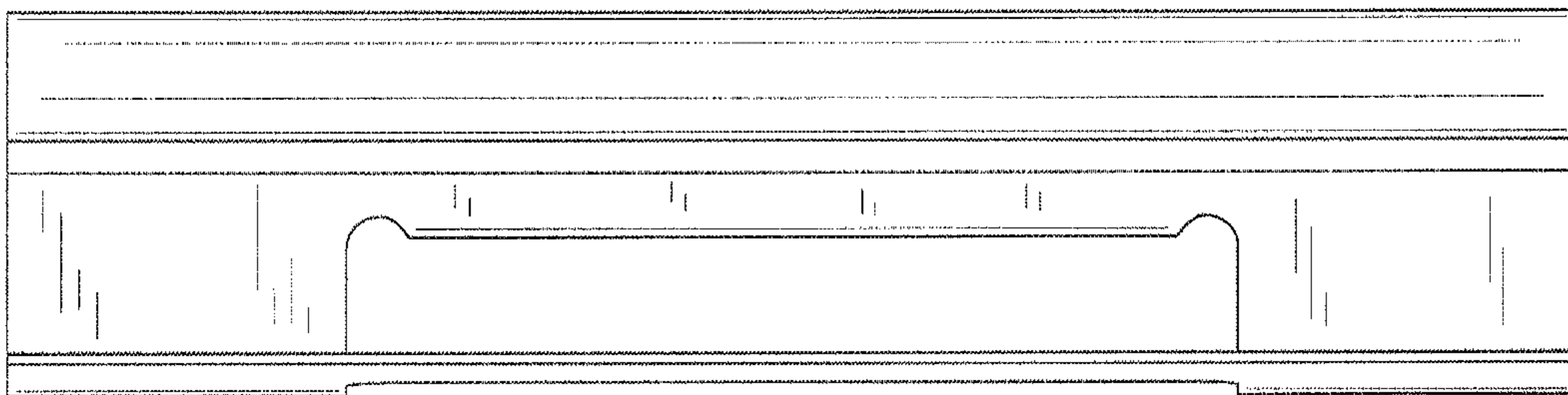


FIG. 7