

US00D663358S

(12) **United States Design Patent**
Brounstein et al.

(10) **Patent No.:** **US D663,358 S**
(45) **Date of Patent:** **** Jul. 10, 2012**

(54) **PAPER TAB**

(76) Inventors: **Martin Brounstein**, Lake Worth, FL
(US); **Nancy Brounstein**, Lake Worth,
FL (US)

(**) **Term:** **14 Years**

(21) **Appl. No.:** **29/393,078**

(22) **Filed:** **May 31, 2011**

(51) **LOC (9) Cl.** **19-99**

(52) **U.S. Cl.** **D19/99**

(58) **Field of Classification Search** D19/1,
D19/2, 26-33, 65, 99, 100; D20/22-28;
40/299.01, 359, 360, 641; 281/38; 283/36-41;
402/79

See application file for complete search history.

(56) **References Cited**

U.S. PATENT DOCUMENTS

998,646	A *	7/1911	Simons	402/79
1,058,081	A *	4/1913	Montgomerie	281/23
1,513,929	A *	11/1924	Rand	40/360
2,015,519	A *	9/1935	Furlon	40/359
2,151,717	A *	3/1939	Quigley	40/388
2,216,428	A *	10/1940	Best	40/359
2,878,814	A *	3/1959	Consaul	40/359
3,001,306	A *	9/1961	Wilkinson	40/641
3,205,597	A *	9/1965	Stern	40/641
3,315,683	A *	4/1967	Rodriguez et al.	402/79
3,507,063	A *	4/1970	Jochheim	40/641
3,540,140	A *	11/1970	Tourre	40/666
3,583,358	A	6/1971	Hanson	
3,691,662	A *	9/1972	Cunningham	40/641
3,747,242	A	7/1973	Heimann	
4,185,405	A	1/1980	Giulie	
4,285,146	A *	8/1981	Charles et al.	40/665

4,605,577	A	8/1986	Bowytz	
4,660,855	A *	4/1987	Pagliaccio	281/2
4,905,393	A *	3/1990	Laurie	40/641
4,961,666	A *	10/1990	Pitts et al.	402/79
5,409,754	A *	4/1995	Yasuda et al.	428/43
5,543,010	A *	8/1996	Keng	156/285
D395,455	S	6/1998	Thompson	
6,338,418	B1	1/2002	Derosé	
D488,190	S *	4/2004	Segel	D20/27
6,756,102	B1	6/2004	Galo	
D504,704	S *	5/2005	Hansen	D19/99
2005/0058812	A1	3/2005	Seidel et al.	
2006/0010742	A1	1/2006	Steininger	
2009/0004422	A1	1/2009	Bartusiak	
2010/0139138	A1	6/2010	Miadich	

* cited by examiner

Primary Examiner — Elizabeth Albert

(74) *Attorney, Agent, or Firm* — Kyle Flethcher

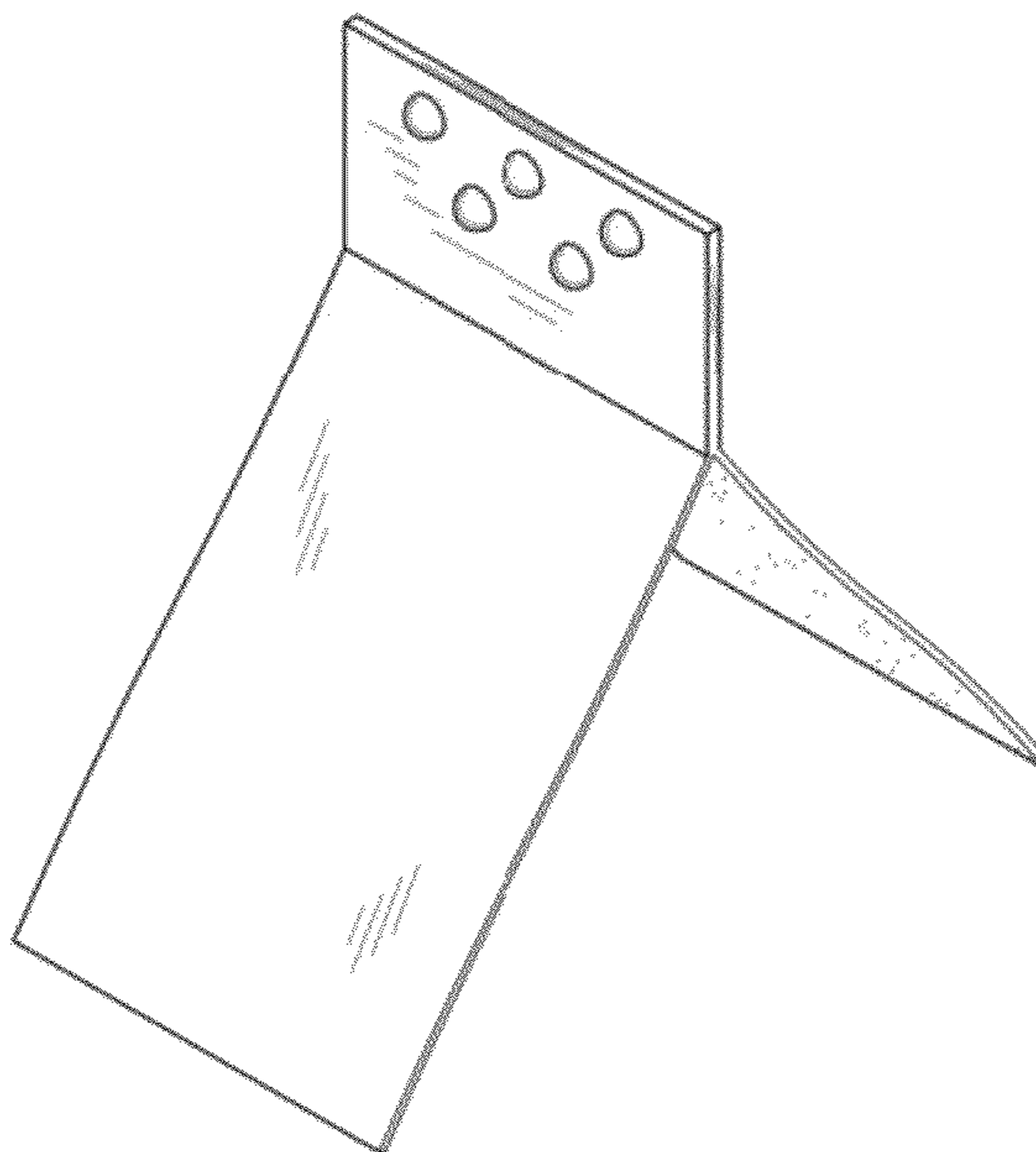
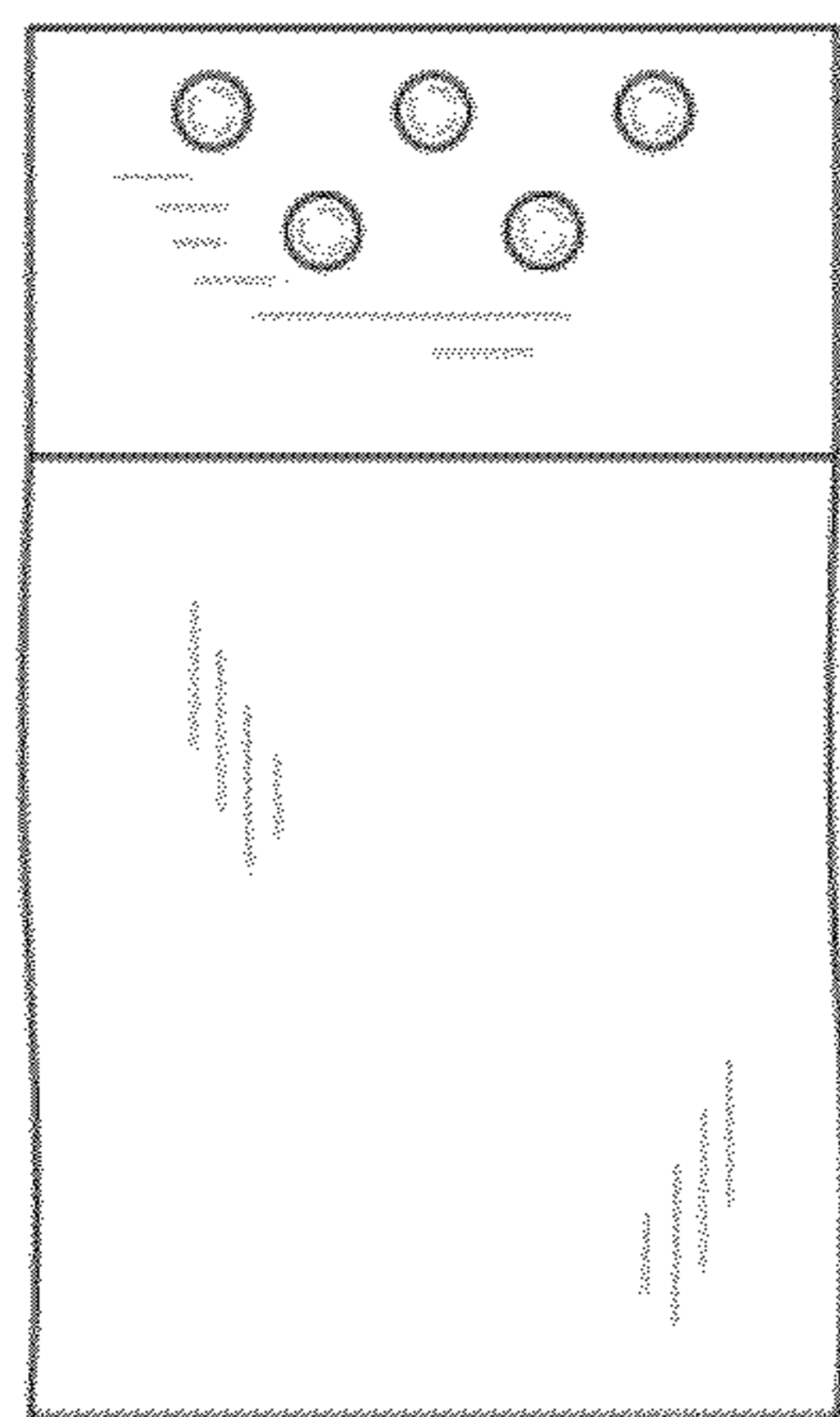
(57) **CLAIM**

We claim the ornamental design for the paper tab, as shown and described.

DESCRIPTION

FIG. 1 is a front view of the paper tab showing our new design;
FIG. 2 is a rear view of the claimed design.
FIG. 3 is a side view of the claimed design.
FIG. 4 is a top view of the claimed design.
FIG. 5 is a bottom view of the claimed design;
FIG. 6 is a perspective view of the claimed design; and,
FIG. 7 is a perspective view of the claimed design in use.
The broken lines in FIG. 7 are included for the purpose of showing environmental subject matter that forms no part of the claimed design.

1 Claim, 4 Drawing Sheets



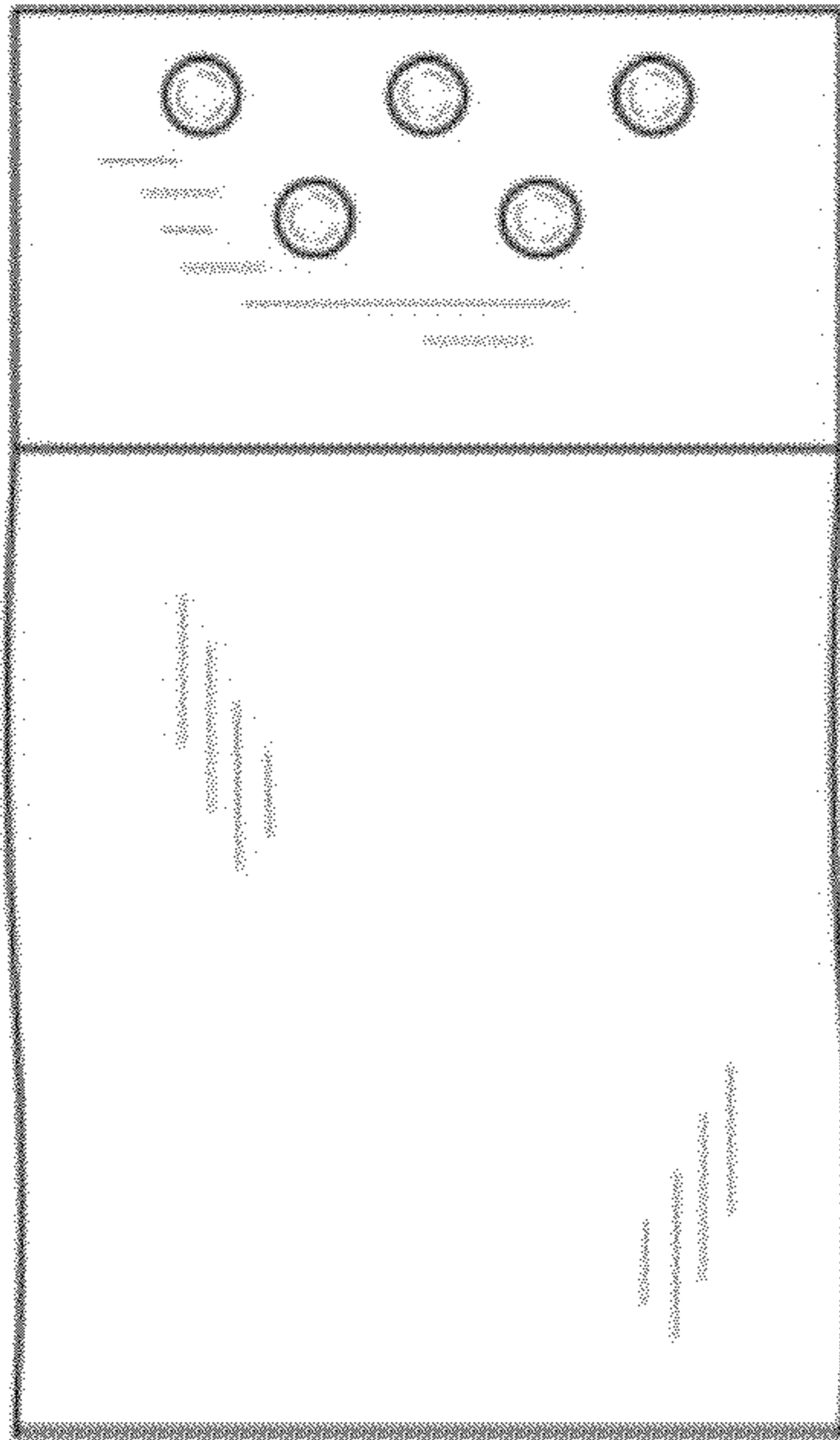


FIG. 1

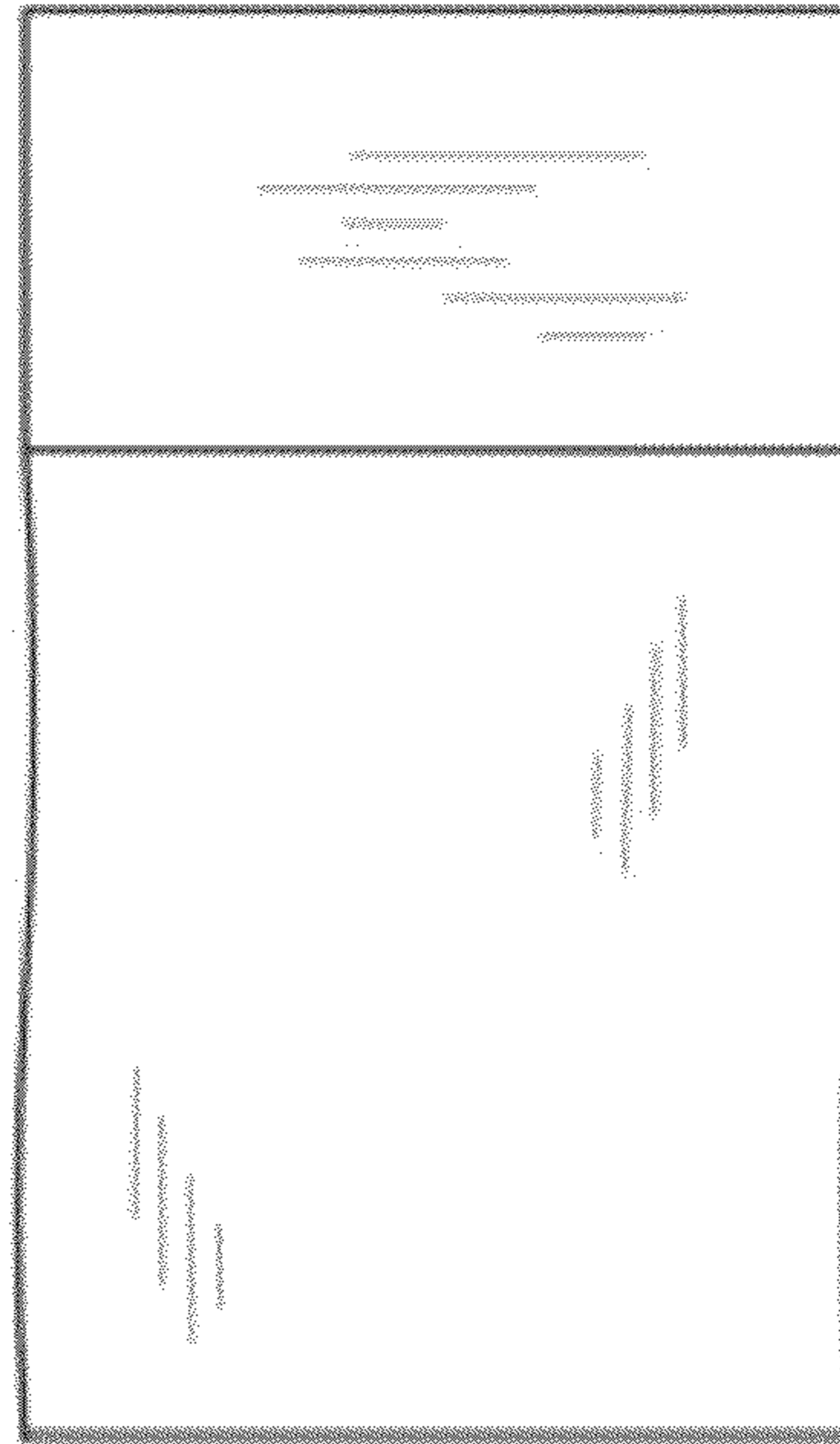


FIG. 2

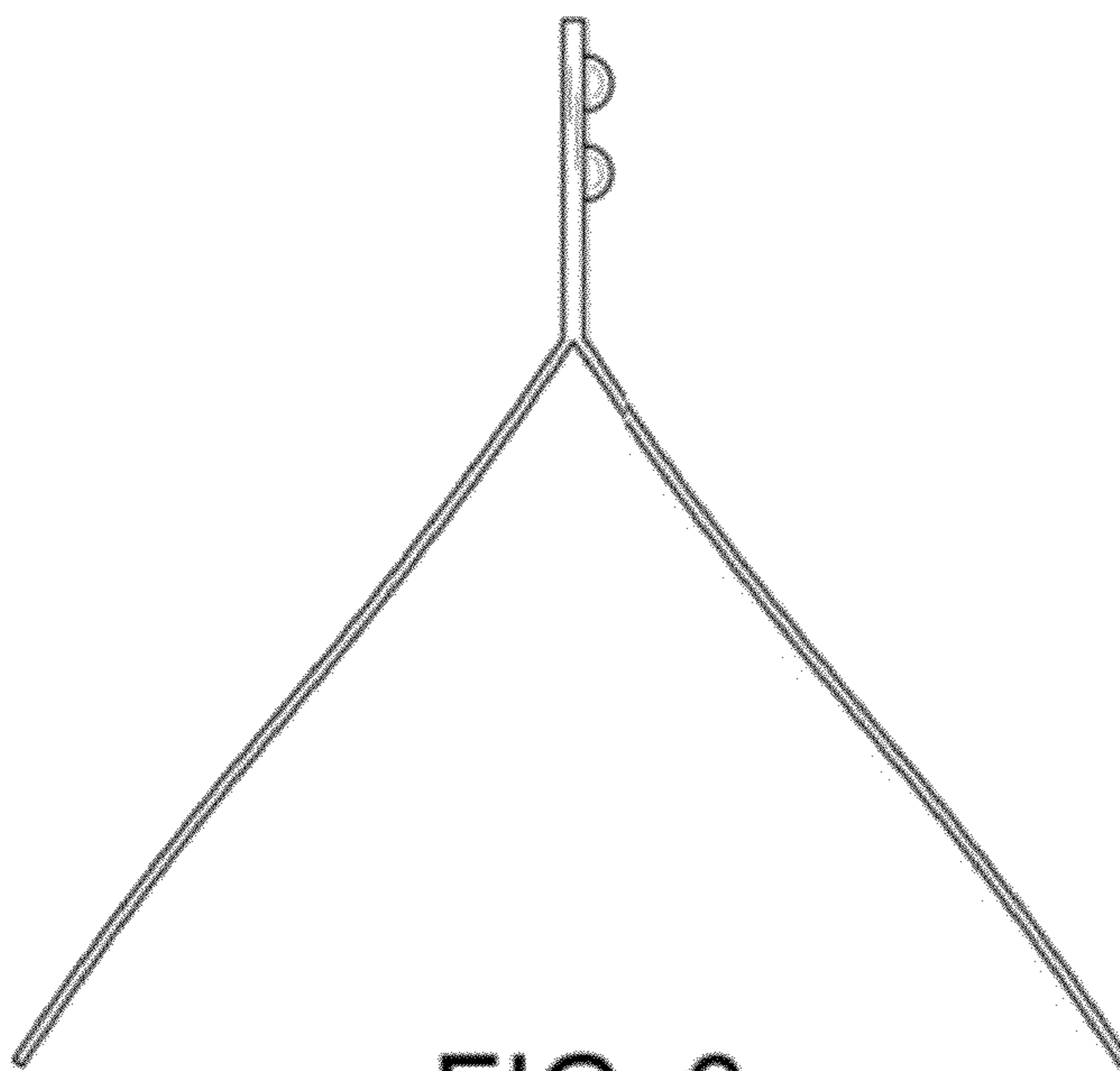


FIG. 3

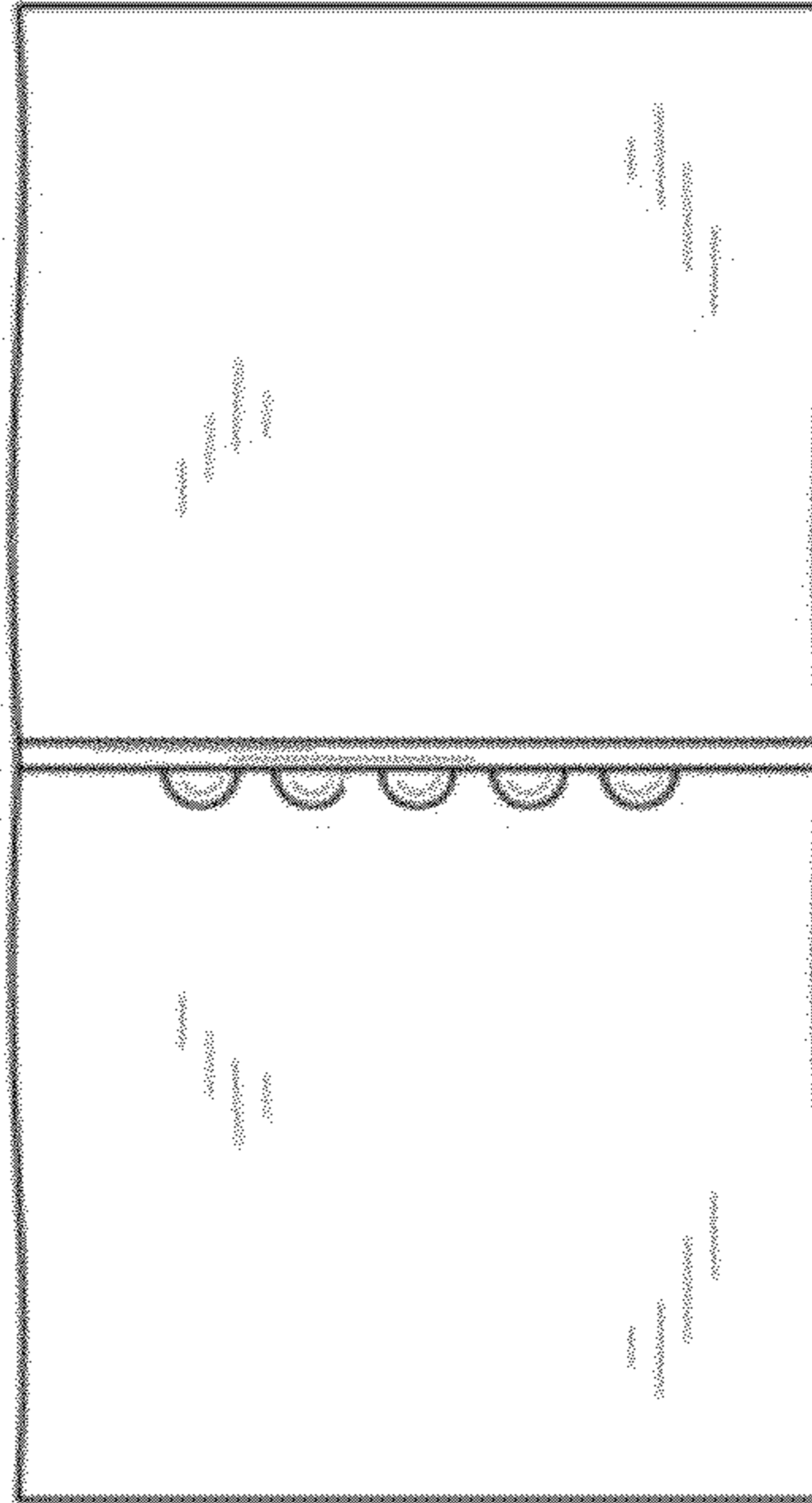


FIG. 4

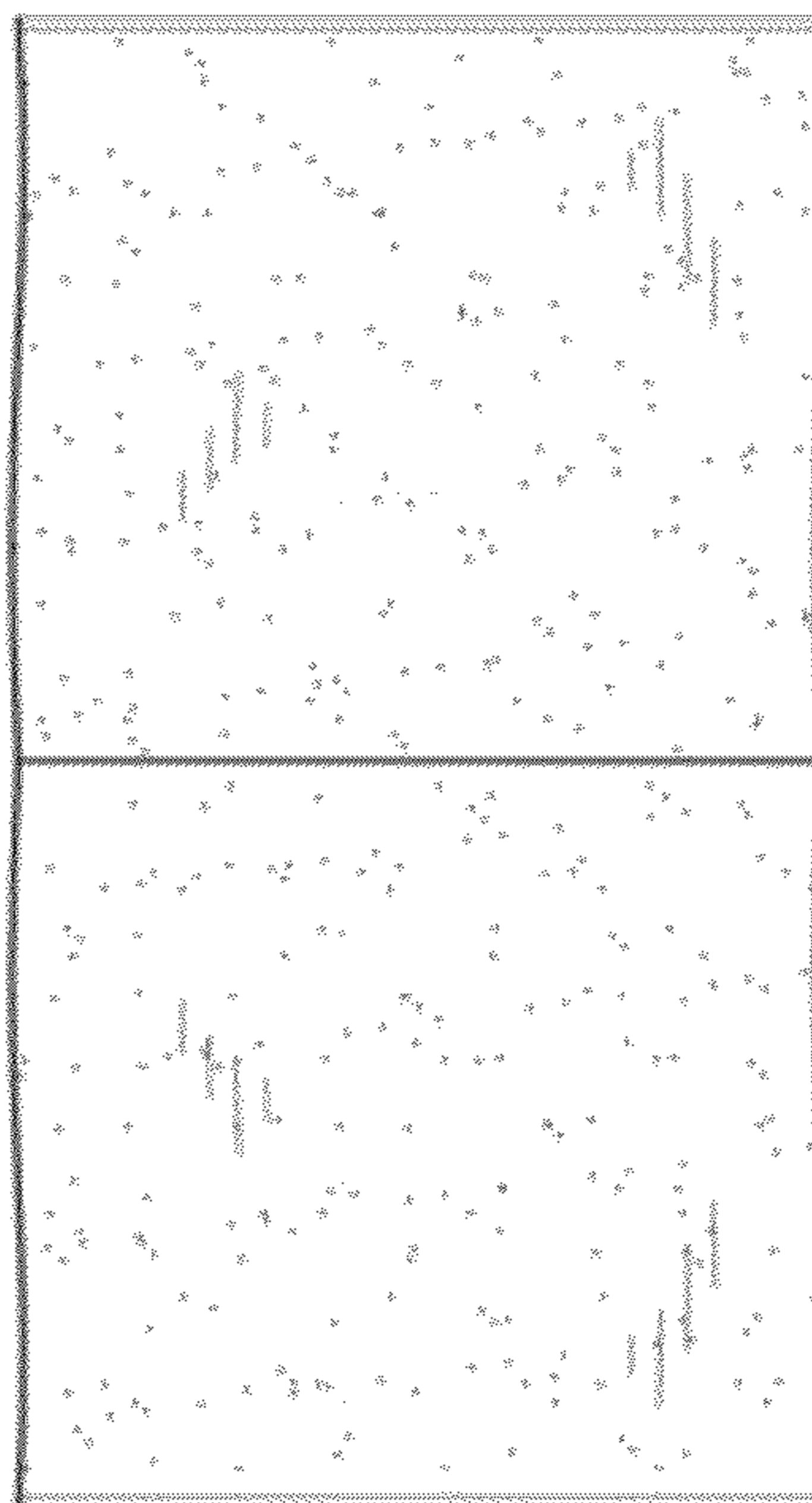
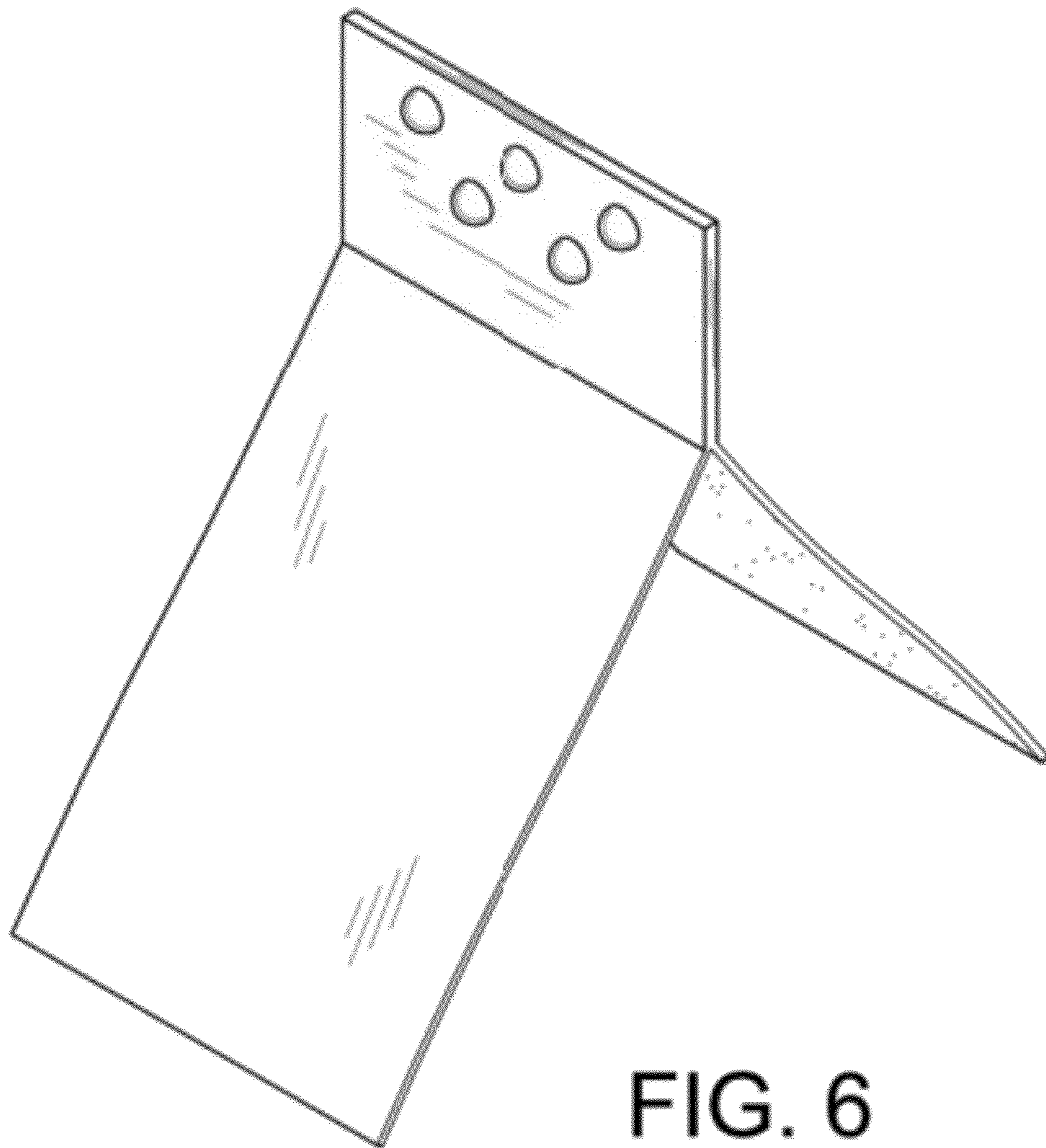


FIG. 5



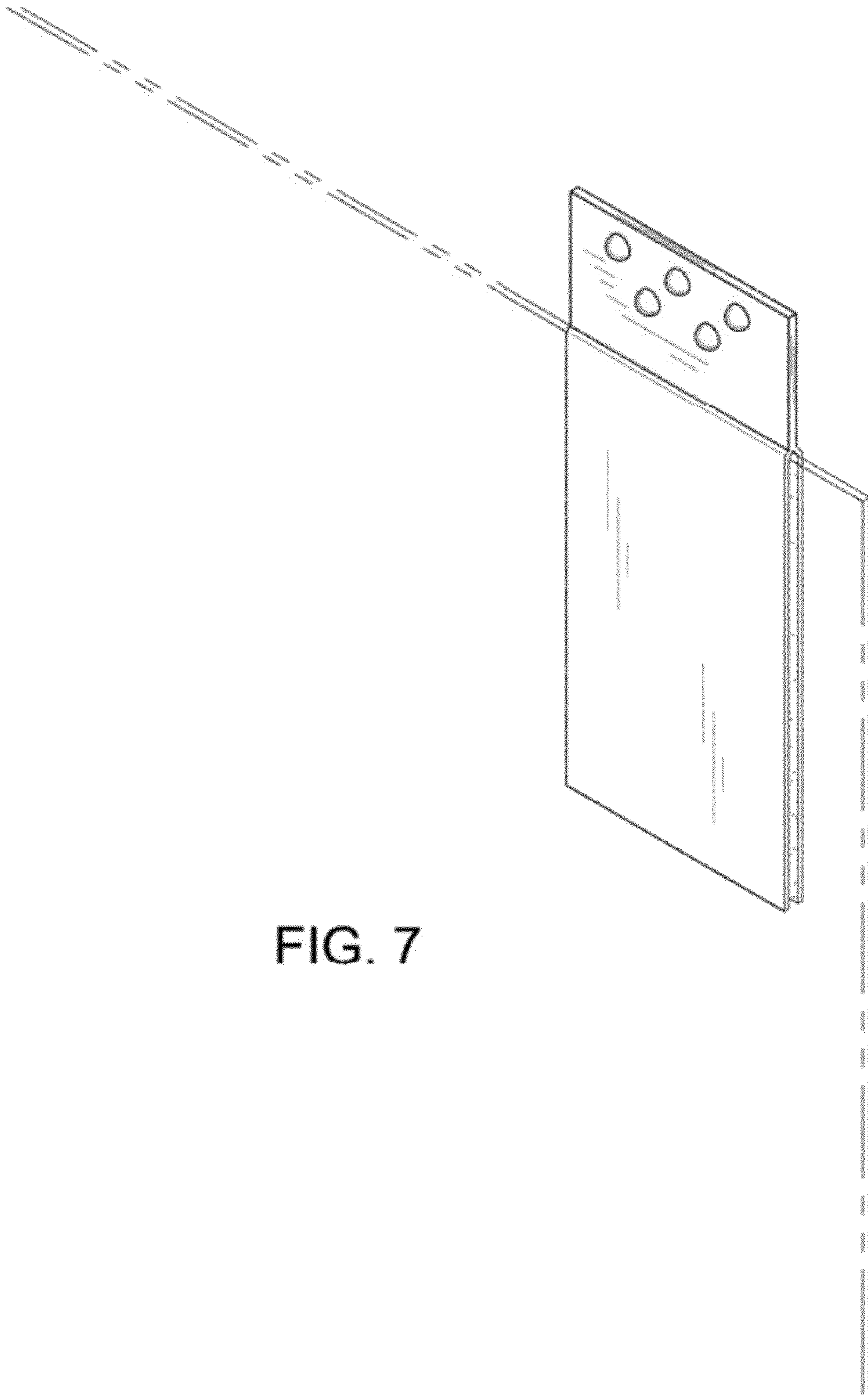


FIG. 7