



US00D663357S

(12) **United States Design Patent**  
**Bookhamer et al.**

(10) **Patent No.:** **US D663,357 S**  
(45) **Date of Patent:** **\*\* Jul. 10, 2012**

(54) **WRITING UTENSIL CLIP**  
(75) Inventors: **Ryan Bookhamer**, Edinboro, PA (US);  
**Nick B Duska**, Erie, PA (US)  
(73) Assignee: **RSB International LLC**, Edinboro, PA  
(US)  
(\*\*) Term: **14 Years**

D407,537 S 4/1999 Simpson ..... D2/891  
D478,630 S 8/2003 Riggins ..... D19/83  
D503,430 S 3/2005 Chang ..... D19/83  
D517,913 S \* 3/2006 Mouyos ..... D9/434  
D530,192 S 10/2006 Becerra ..... D8/395  
D531,891 S \* 11/2006 Nawrocki ..... D8/395  
D536,735 S \* 2/2007 Johnson ..... D19/81  
D545,183 S \* 6/2007 French et al. .... D8/394  
D551,713 S 9/2007 Schmidt ..... D19/53  
D552,463 S \* 10/2007 French et al. .... D8/395

(Continued)

(21) Appl. No.: **29/409,347**  
(22) Filed: **Dec. 22, 2011**  
(51) **LOC (9) Cl.** ..... **19-06**  
(52) **U.S. Cl.** ..... **D19/81**  
(58) **Field of Classification Search** ..... D8/394,  
D8/395, 396; D19/75, 77-85, 99, 100; 24/11 F,  
24/11 P, 11 R, 11 CC, 11 CT; 206/214, 224,  
206/371; 211/69.1-69.9; 248/316.2, 316.7,  
248/346.03  
See application file for complete search history.

*Primary Examiner* — Elizabeth Albert  
(74) *Attorney, Agent, or Firm* — Jonathan M. D’Silva;  
MacDonald, Illig, Jones & Britton LLP

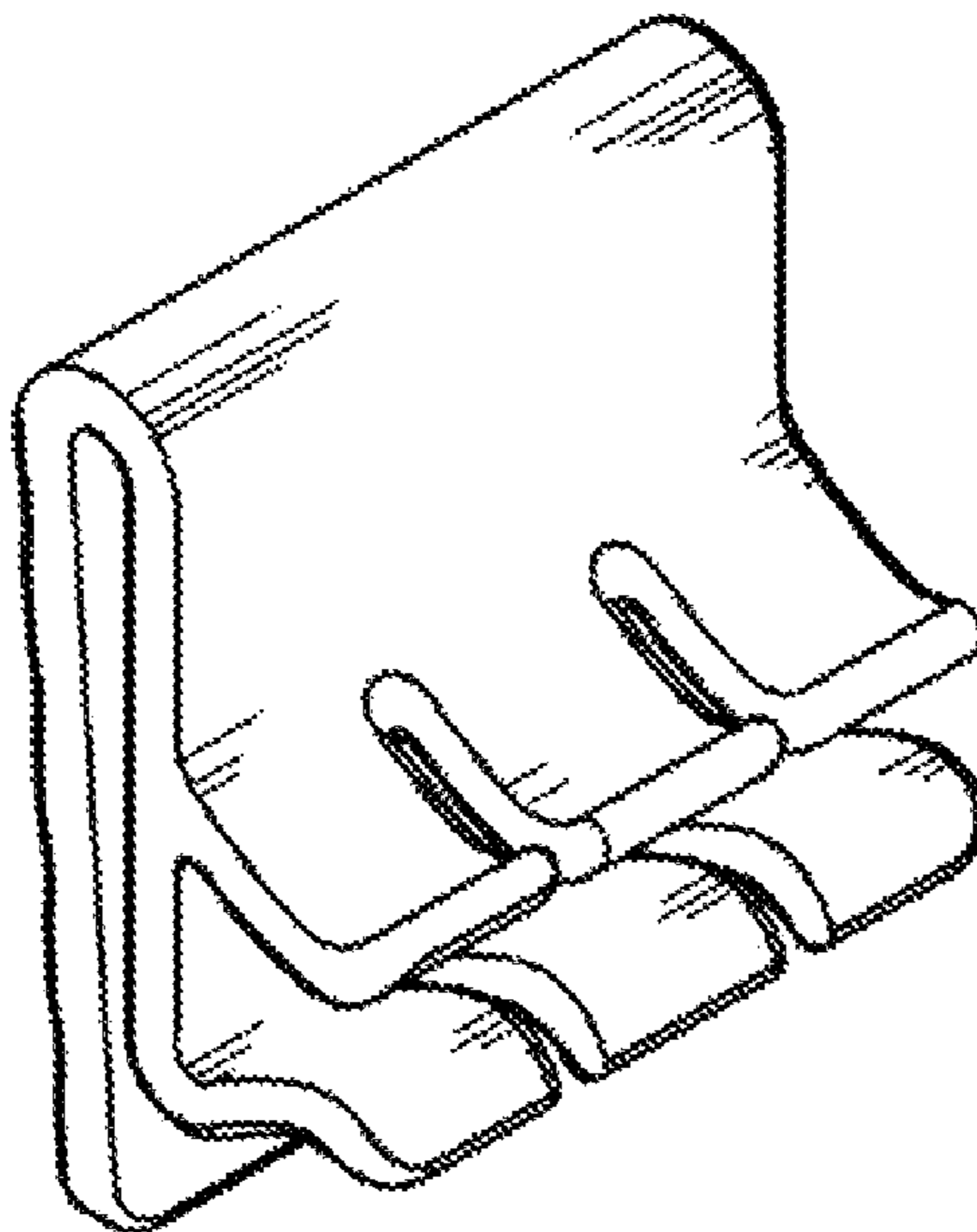
(57) **CLAIM**  
The ornamental design for a writing utensil clip, as shown and described.

**DESCRIPTION**

FIG. 1 is a top front perspective view of the clip.  
FIG. 2 is a bottom front perspective view of the clip.  
FIG. 3 is a front elevation view of the clip.  
FIG. 4 is a right side elevation of the clip.  
FIG. 5 is a bottom plan view of the clip.  
FIG. 6 is a top plan view of the clip.  
FIG. 7 is a front view of the clip showing a pencil inserted into the clip; and,  
FIG. 8 is a front perspective view of the clip showing a pencil inserted into the clip and attached to a folder.  
The pencil which is inserted into the clip in FIG. 7 and FIG. 8 and the folder onto which the clip is clipped in FIG. 8 are illustrated with broken lines and are included for the purpose of illustrating the environment of the design only and form no part of the claimed design.

(56) **References Cited**  
U.S. PATENT DOCUMENTS  
637,889 A 11/1899 Parker  
1,481,984 A 1/1924 Carnett  
1,899,509 A \* 2/1933 Lapin ..... 211/88.01  
2,549,200 A 4/1951 Hooks ..... 24/66  
D207,057 S \* 2/1967 Palmer ..... D8/395  
3,836,106 A \* 9/1974 Gray ..... 248/229.26  
3,983,602 A 10/1976 Barry ..... 24/11  
D311,127 S \* 10/1990 Strodtman ..... D8/356  
5,066,154 A 11/1991 Renaud ..... 401/131  
5,184,375 A 2/1993 Hoyt ..... 24/3  
D352,963 S 11/1994 Siler ..... D19/83  
5,409,198 A \* 4/1995 Roick ..... 267/107  
5,820,095 A 10/1998 Stone ..... 248/316.7  
5,829,103 A 11/1998 Allen ..... 24/11  
5,867,874 A \* 2/1999 Simpson ..... 24/336

**1 Claim, 4 Drawing Sheets**



# US D663,357 S

Page 2

---

## U.S. PATENT DOCUMENTS

|                |         |                      |         |                   |         |                           |         |
|----------------|---------|----------------------|---------|-------------------|---------|---------------------------|---------|
| D555,896 S     | 11/2007 | Ward-Llewellyn ..... | D3/215  | D644,504 S        | 9/2011  | Rieder .....              | D8/395  |
| D571,648 S     | 6/2008  | Rieder .....         | D8/395  | D651,072 S *      | 12/2011 | Boucher-Gagne et al. .... | D8/394  |
| D592,039 S     | 5/2009  | Okuda .....          | D8/356  | 2003/0052140 A1 * | 3/2003  | Mouyos .....              | 222/538 |
| D609,558 S *   | 2/2010  | Pilarski .....       | D8/395  | 2010/0254123 A1 * | 10/2010 | Brown .....               | 362/191 |
| 7,866,813 B2 * | 1/2011  | Anhalt .....         | 351/155 |                   |         |                           |         |

\* cited by examiner

FIG. 1

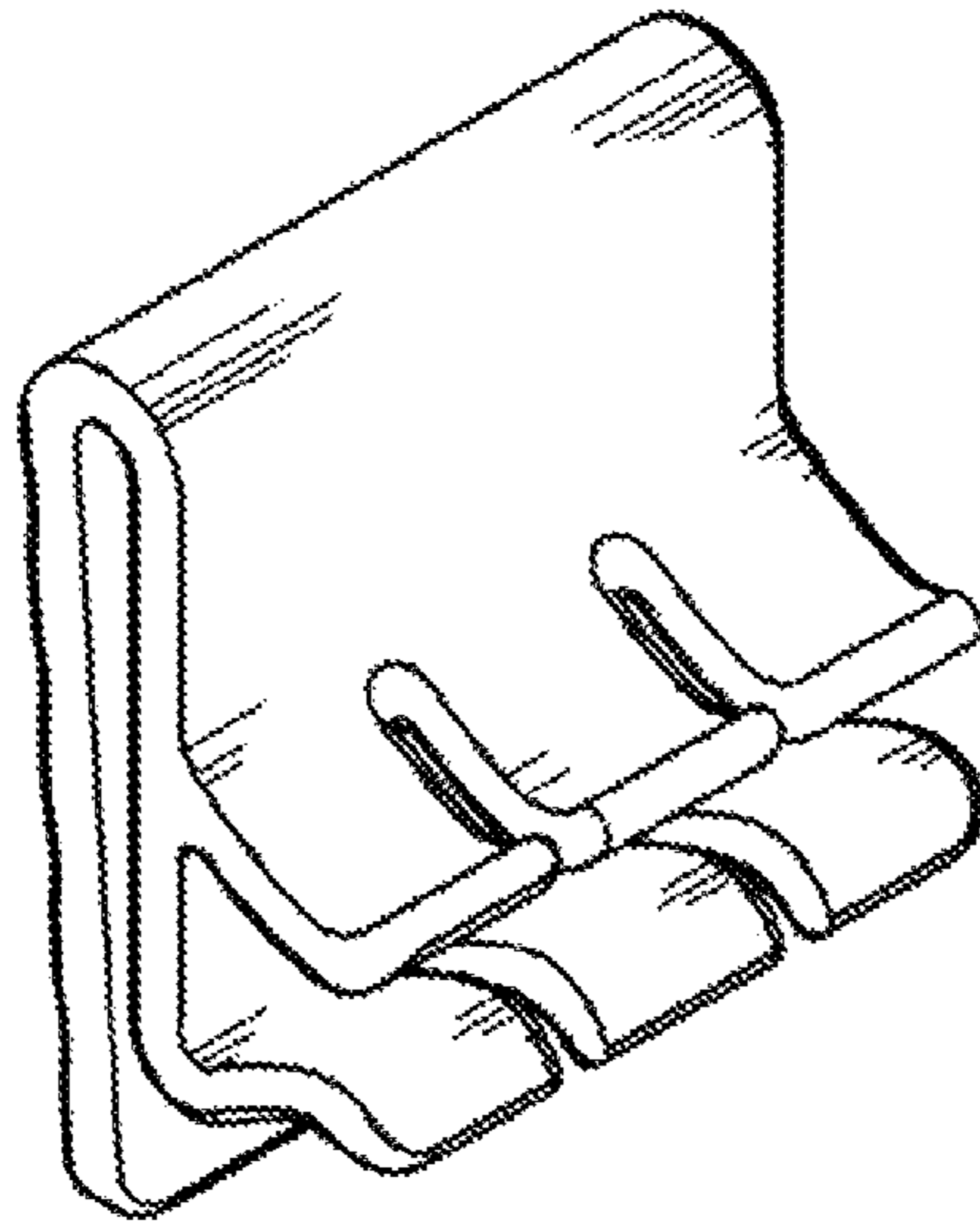


FIG. 2

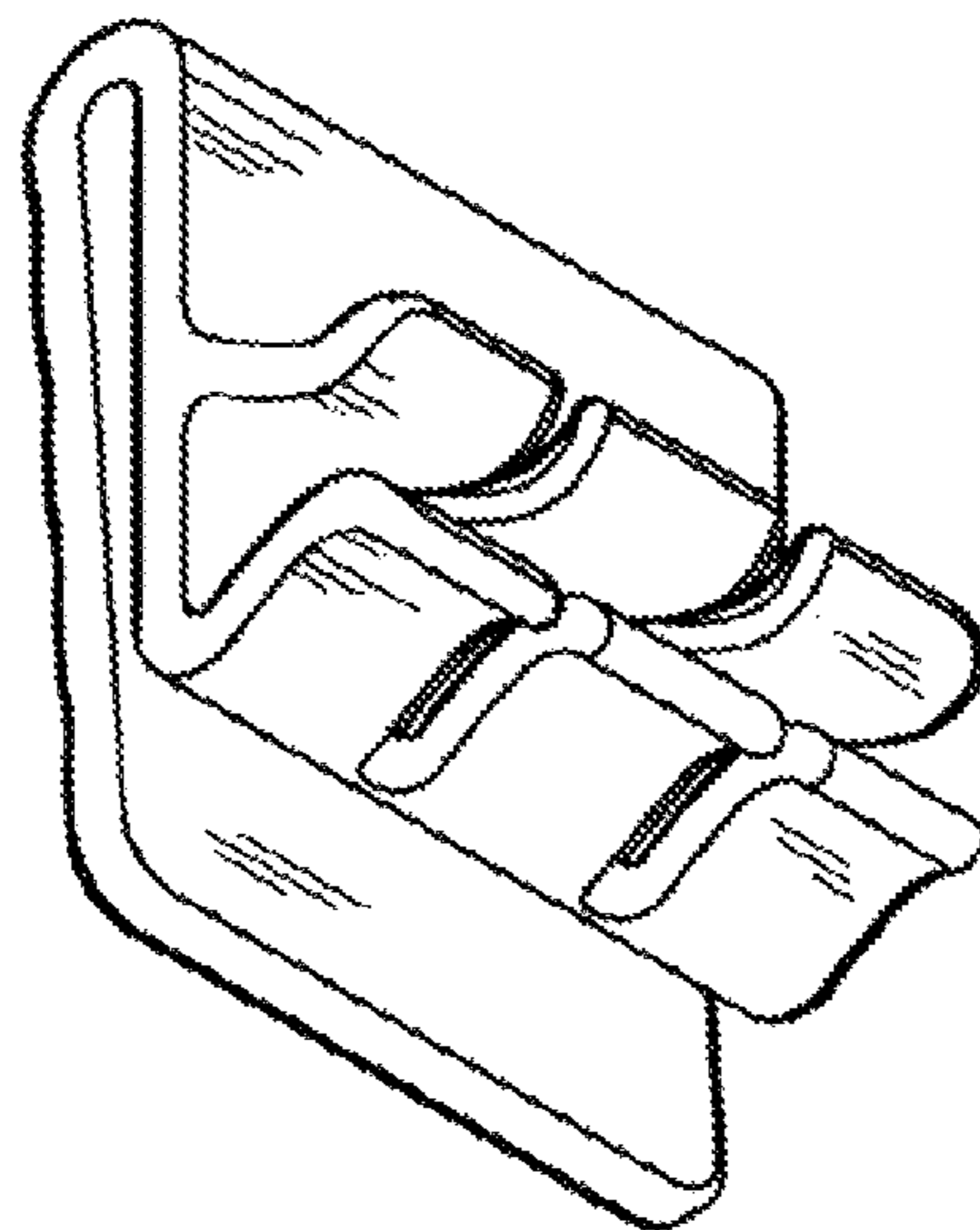


FIG. 3

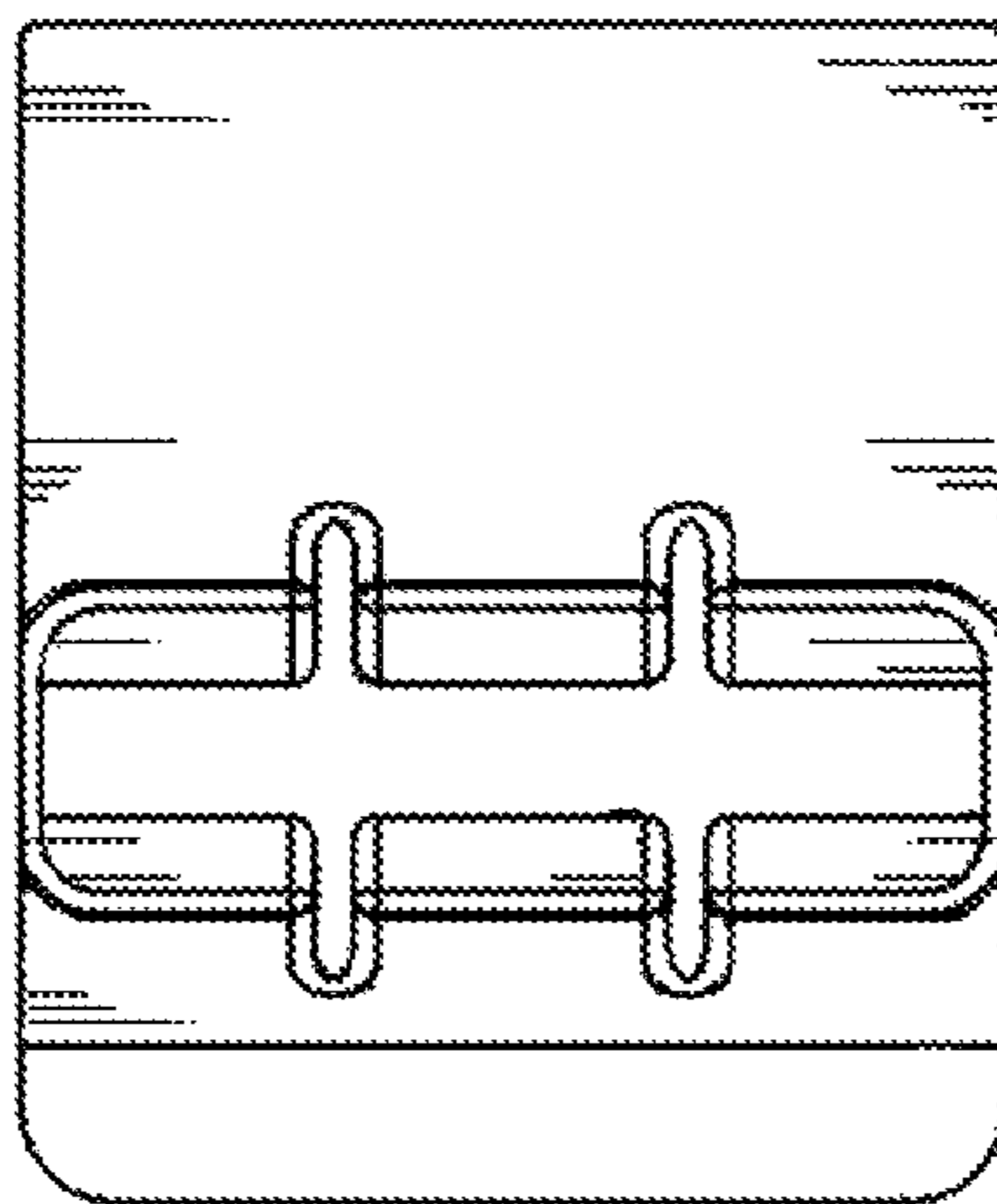


FIG. 4

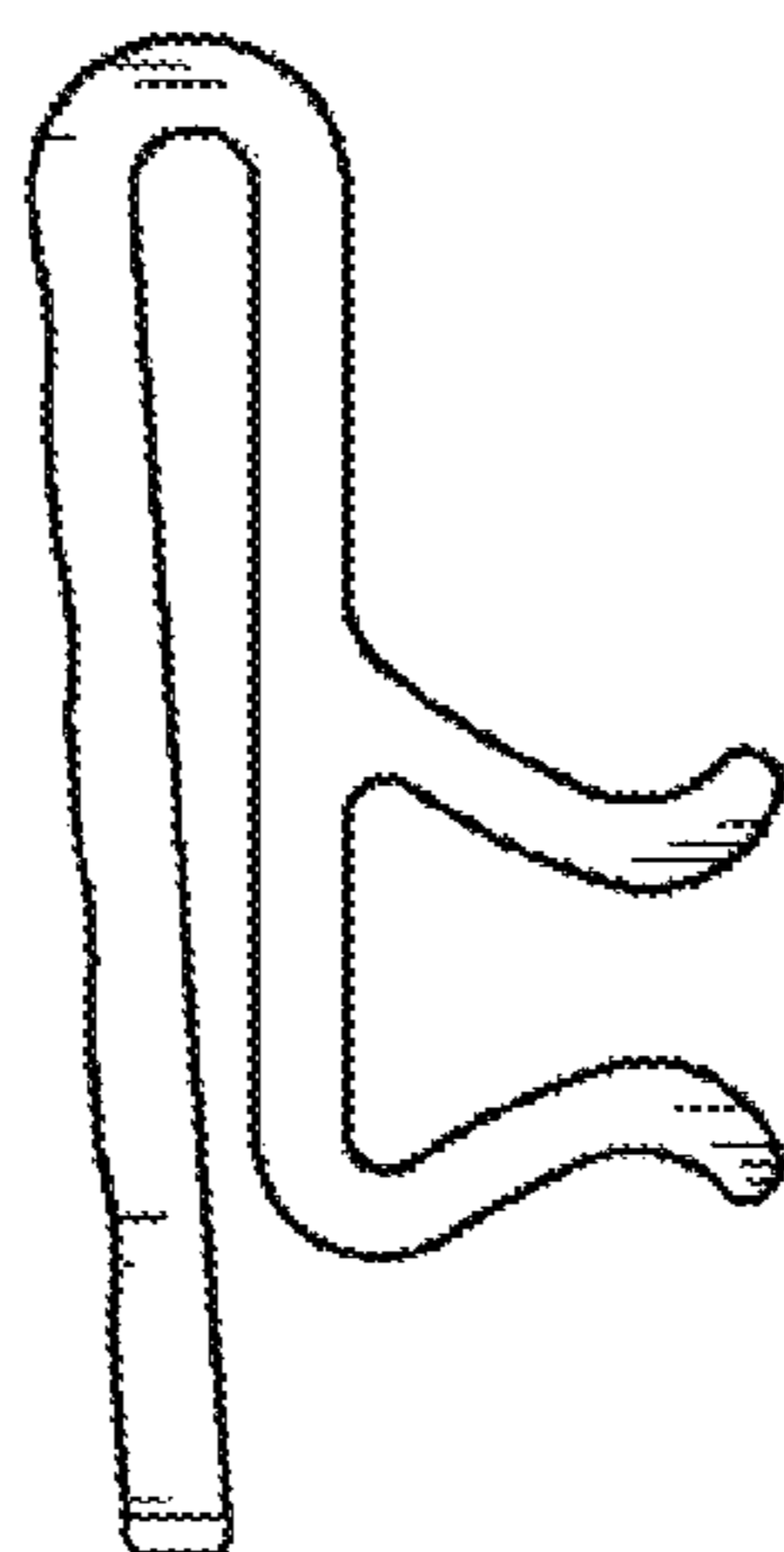


FIG. 5

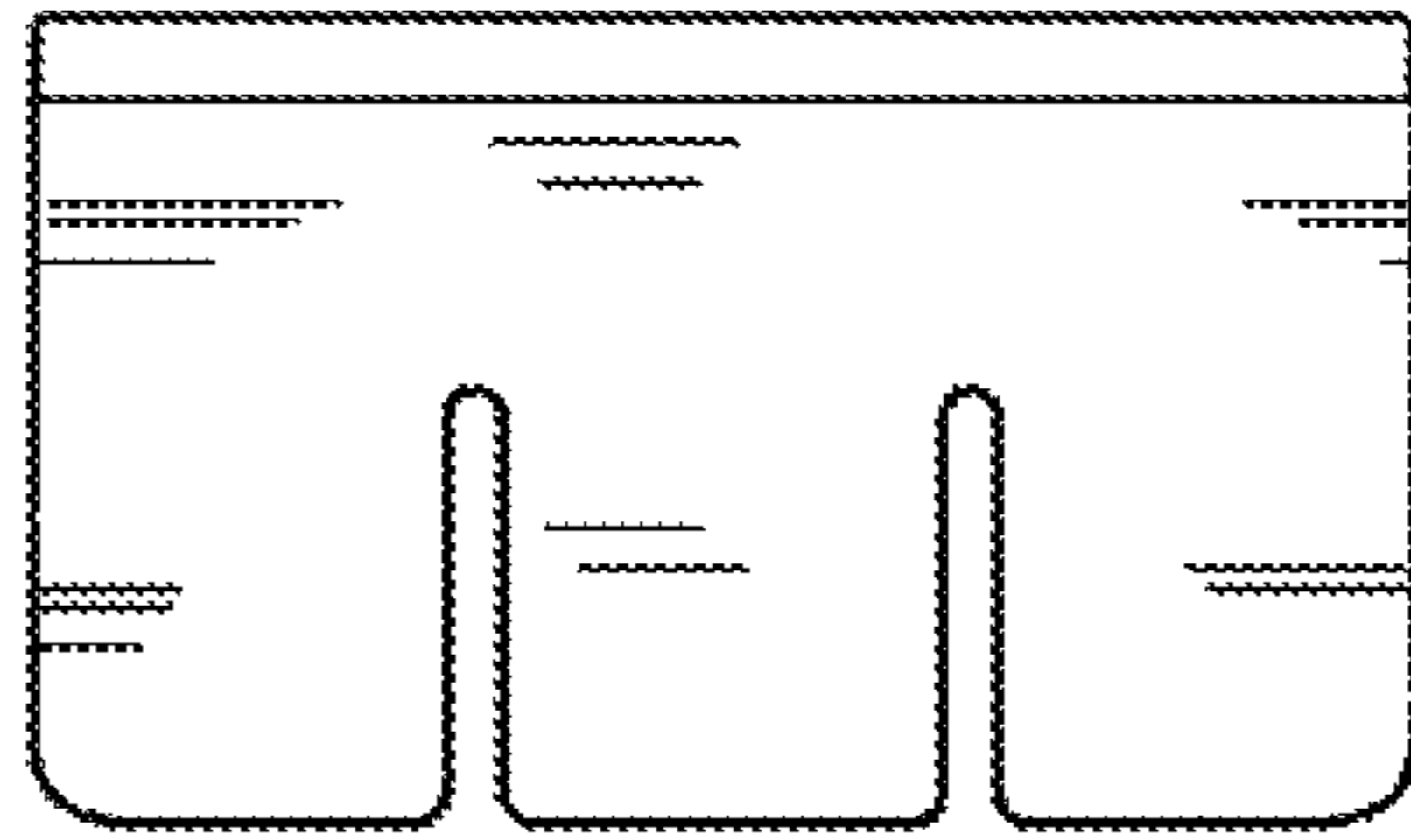


FIG. 6

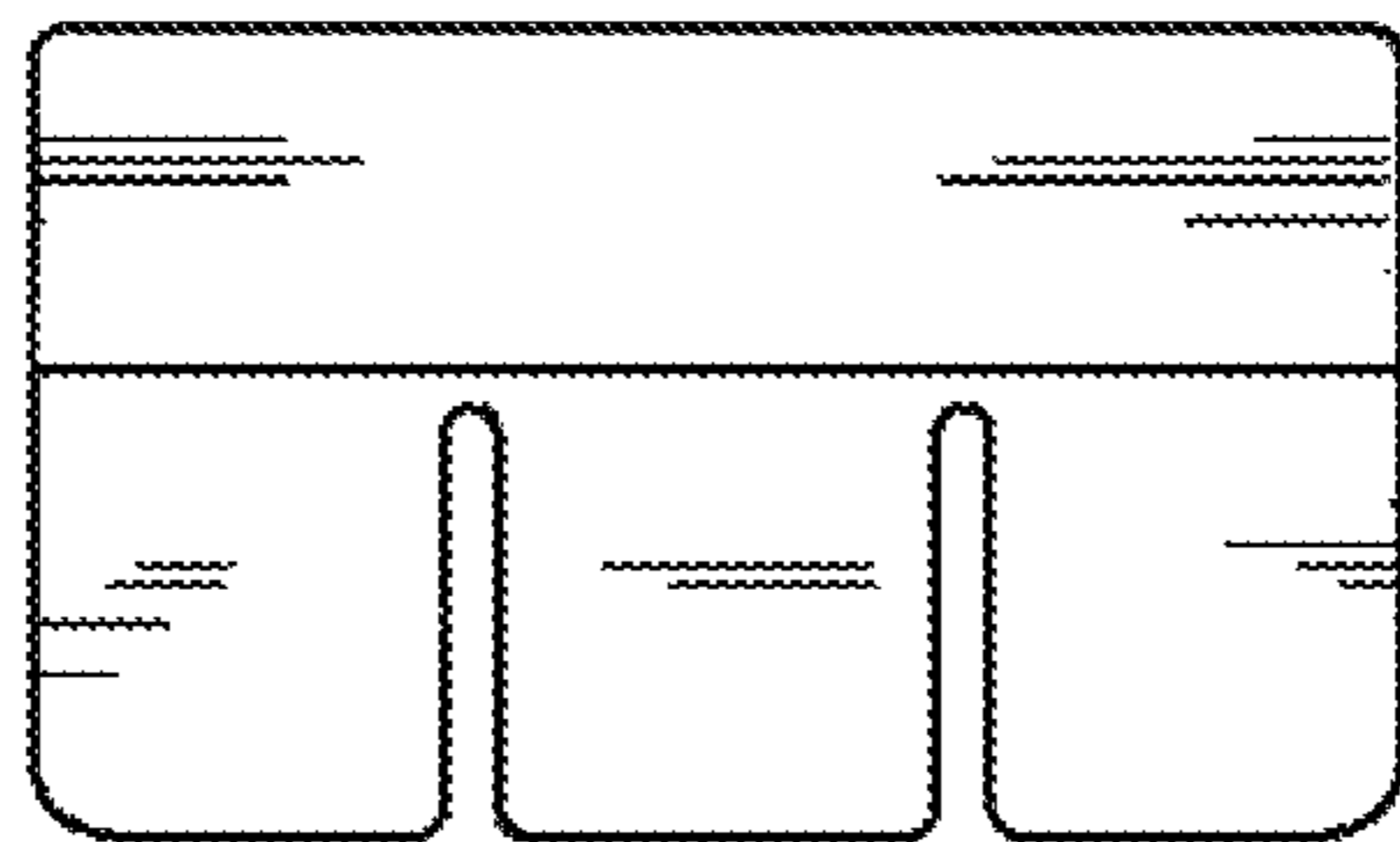


FIG. 7

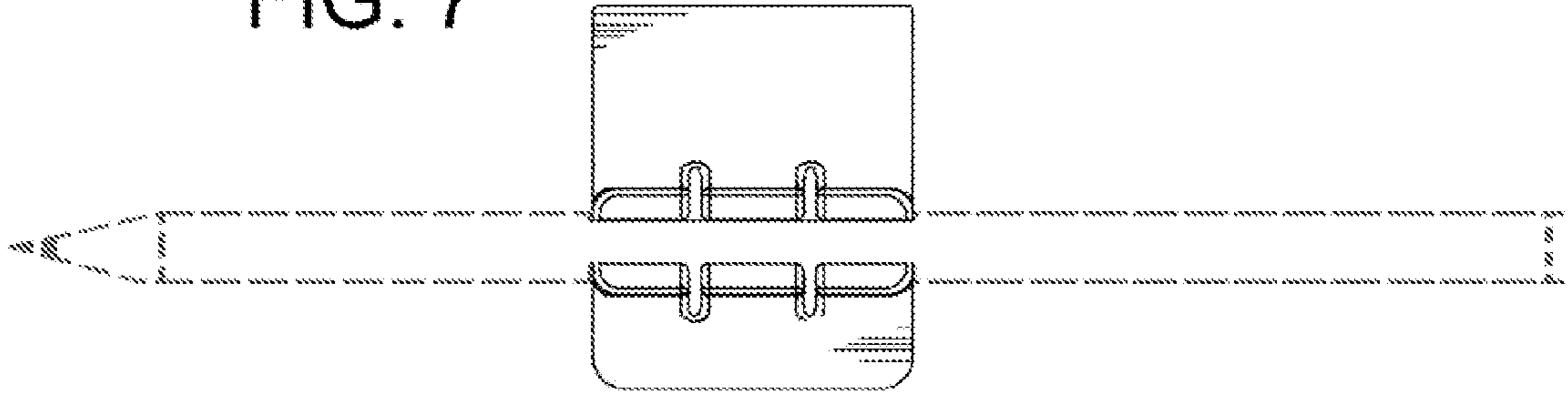


FIG. 8

