



US00D663352S

(12) **United States Design Patent**
Park

(10) **Patent No.:** **US D663,352 S**

(45) **Date of Patent:** **** Jul. 10, 2012**

(54) **ELECTRONIC DRUM MODULE**

(75) Inventor: **Jae Jun Park**, Lincoln, RI (US)

(73) Assignee: **Numark Industries, L.P., a Limited Partnership of the state of Florida**, Cumberland, RI (US)

(**) Term: **14 Years**

(21) Appl. No.: **29/361,851**

(22) Filed: **May 17, 2010**

(51) **LOC (9) Cl.** **17-03**

(52) **U.S. Cl.** **D17/22**

(58) **Field of Classification Search** D17/99,

D17/22; D14/217, 162, 299; 84/600, 622,

84/711, 723, DIG. 12; 381/28, 119

See application file for complete search history.

(56) **References Cited**

U.S. PATENT DOCUMENTS

D326,454 S *	5/1992	Ito et al.	D14/162
D371,790 S *	7/1996	Takei	D14/217
D387,798 S *	12/1997	Miura	D17/99
D400,877 S *	11/1998	Miyazaki	D14/167
D417,669 S *	12/1999	Ito et al.	D14/217
D424,056 S *	5/2000	Ito et al.	D14/162
D443,606 S *	6/2001	Ito et al.	D14/217
D444,460 S *	7/2001	Kitazawa et al.	D14/217
D454,906 S *	3/2002	Senda et al.	D17/22
D455,774 S *	4/2002	Senda et al.	D17/22
D499,394 S *	12/2004	Suzuki	D14/217
D518,086 S *	3/2006	Ito	D17/99
D518,470 S *	4/2006	Takita et al.	D14/162
D559,889 S *	1/2008	Nakao et al.	D17/22
D561,239 S *	2/2008	Nakao et al.	D17/22

D593,544 S *	6/2009	Iijima et al.	D14/217
D601,510 S *	10/2009	Onishi	D13/163
D630,617 S *	1/2011	Ayres et al.	D14/217
D643,410 S *	8/2011	Blyth et al.	D14/217

OTHER PUBLICATIONS

Alesis DM10 Drum Module [online], [site visited Mar. 21, 2012]. Available from internet, <URL:www.floridamusicco.com>, 3 pages.*

* cited by examiner

Primary Examiner — Ian Simmons

Assistant Examiner — Carissa C Fitts

(74) *Attorney, Agent, or Firm* — Barlow, Josephs & Holmes, Ltd.

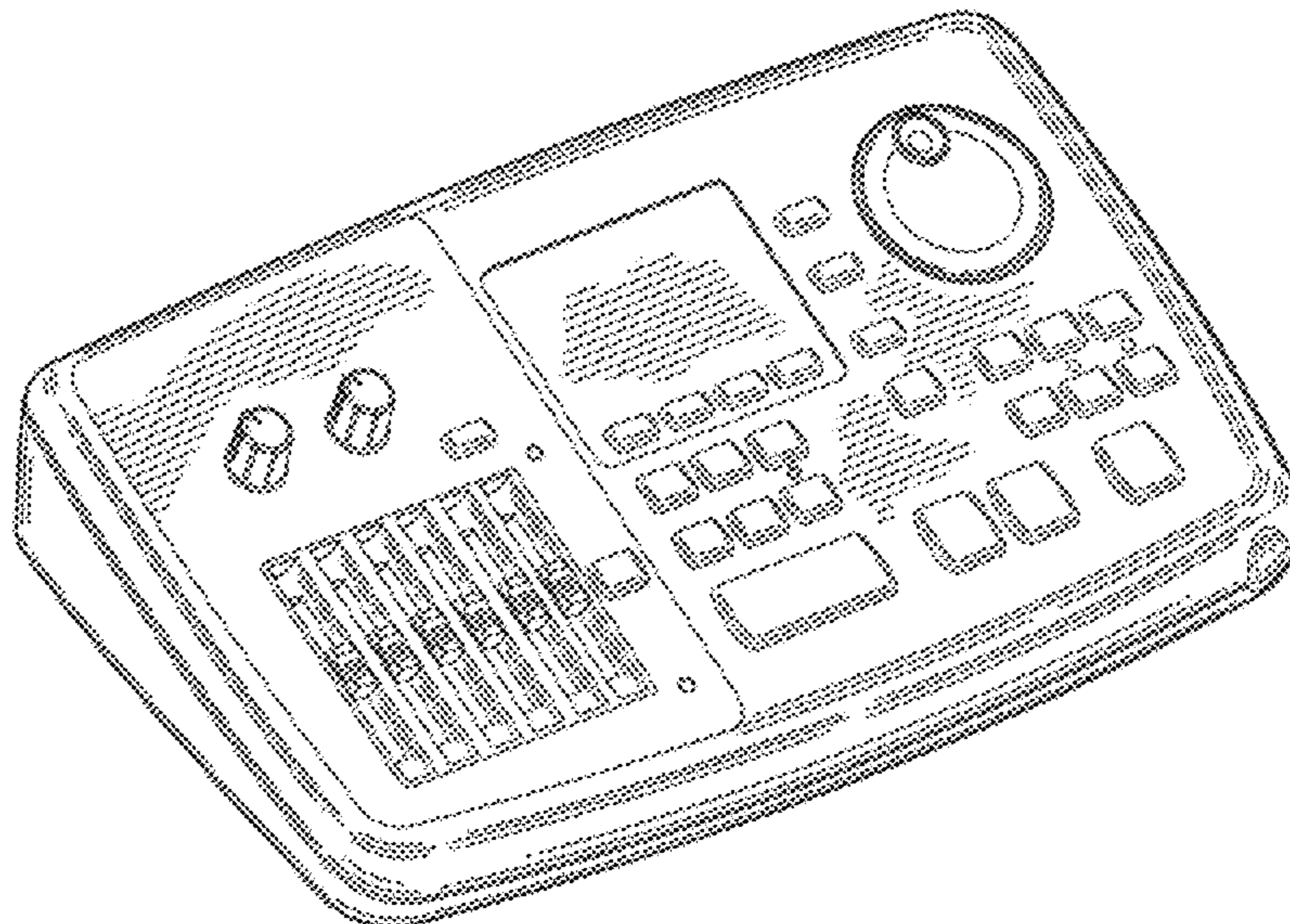
(57) **CLAIM**

The ornamental design for an electronic drum module, as shown and described.

DESCRIPTION

FIG. 1 is a front perspective view of an electronic drum module showing my new design; FIG. 2 is a top view thereof; FIG. 3 is a bottom view thereof; FIG. 4 is a front view thereof; FIG. 5 is a rear view thereof; FIG. 6 is a left side view thereof; and, FIG. 7 is a right side view thereof. The broken lines in the drawings are included for environmental purposes only, and form no part of the claimed design.

1 Claim, 7 Drawing Sheets



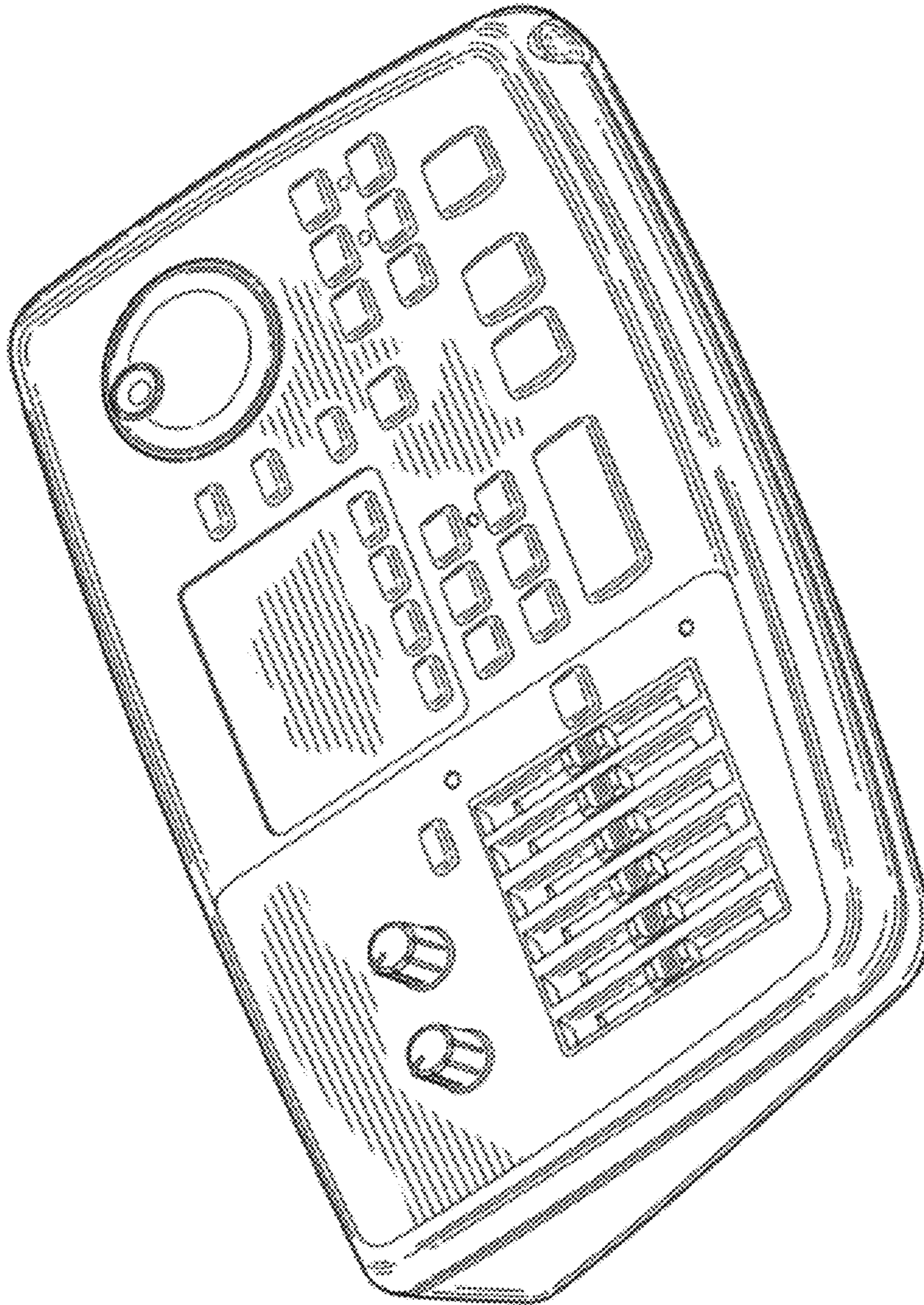


FIG. 1

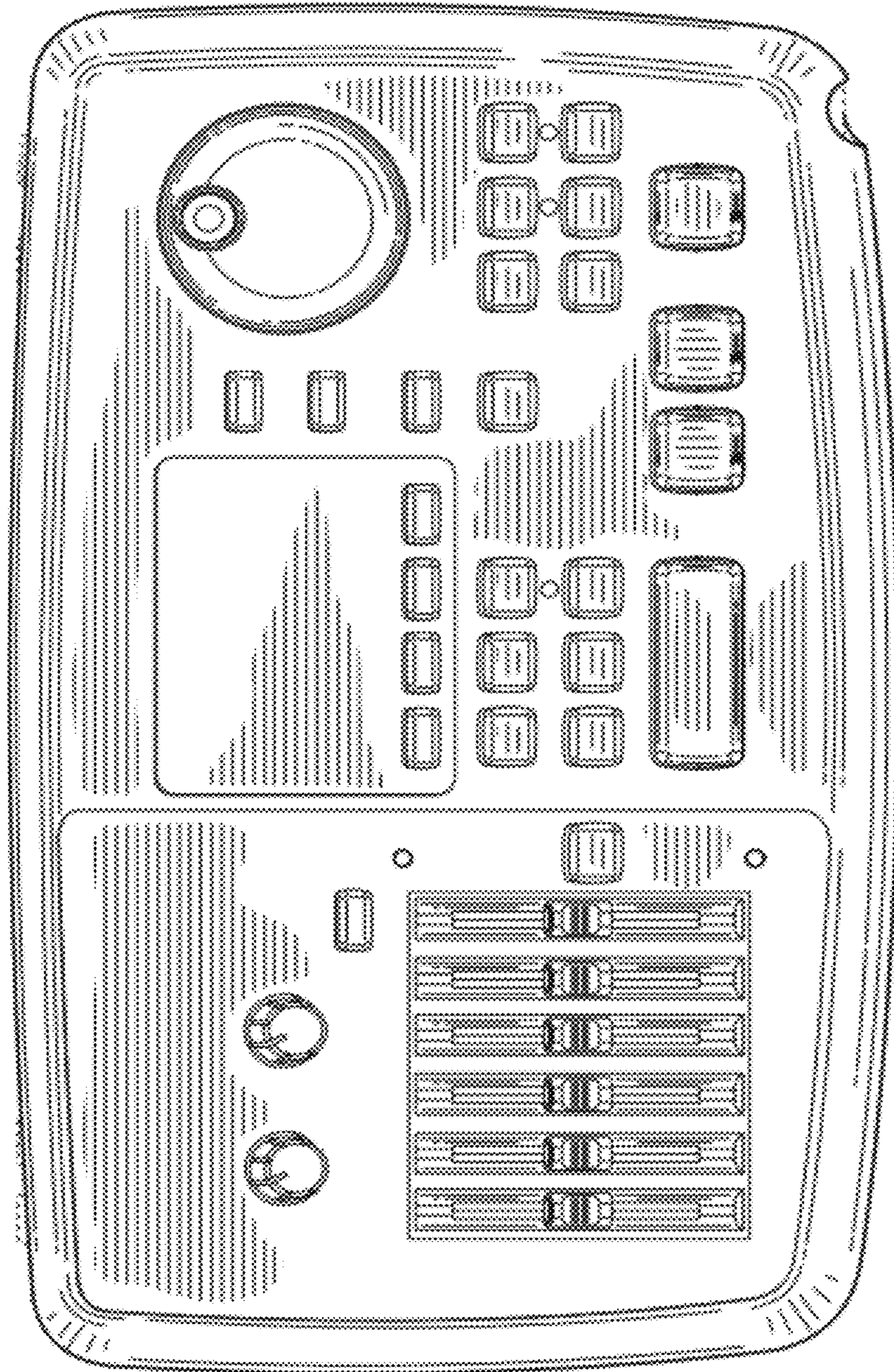


FIG. 2

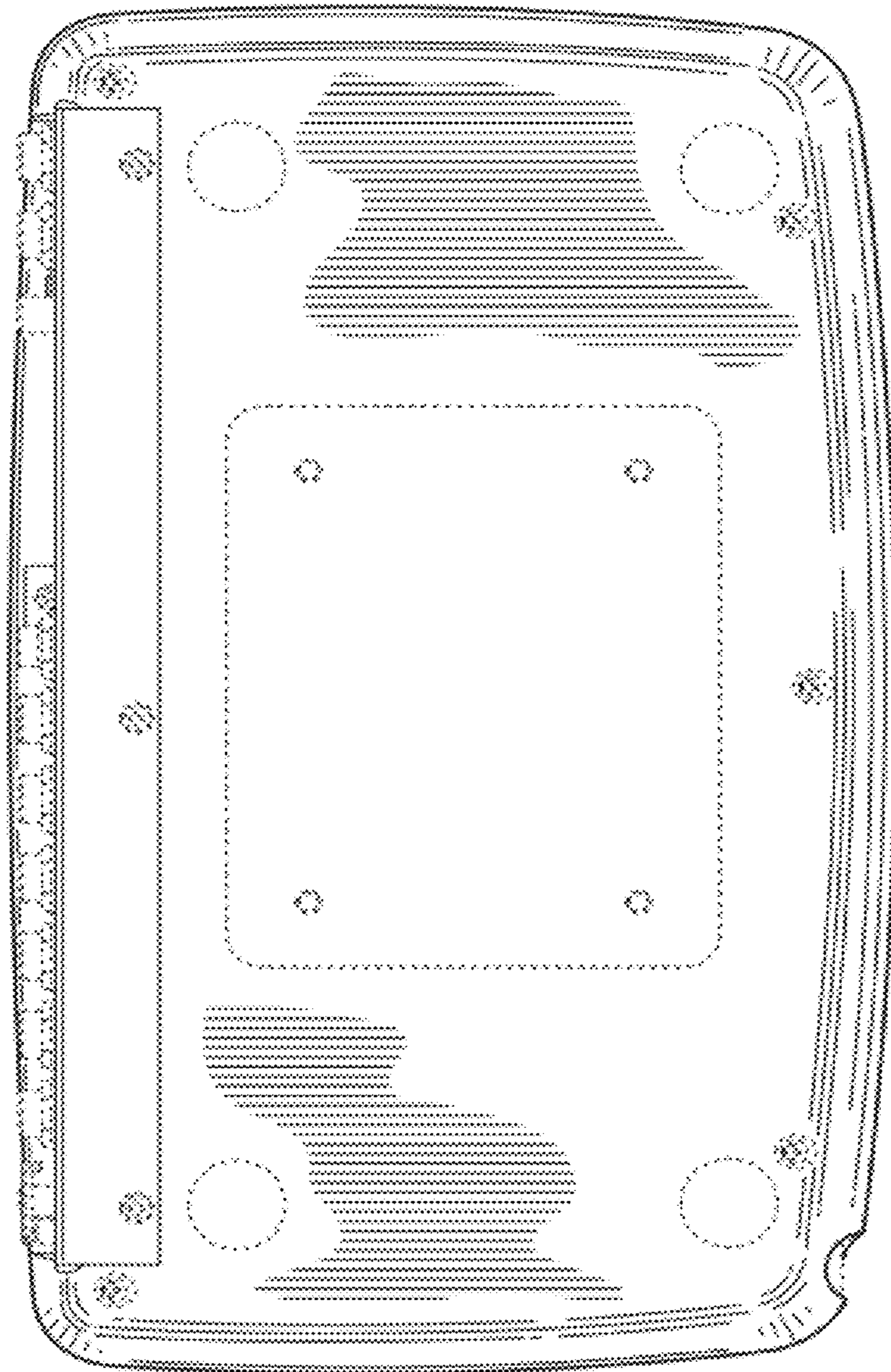


FIG. 3

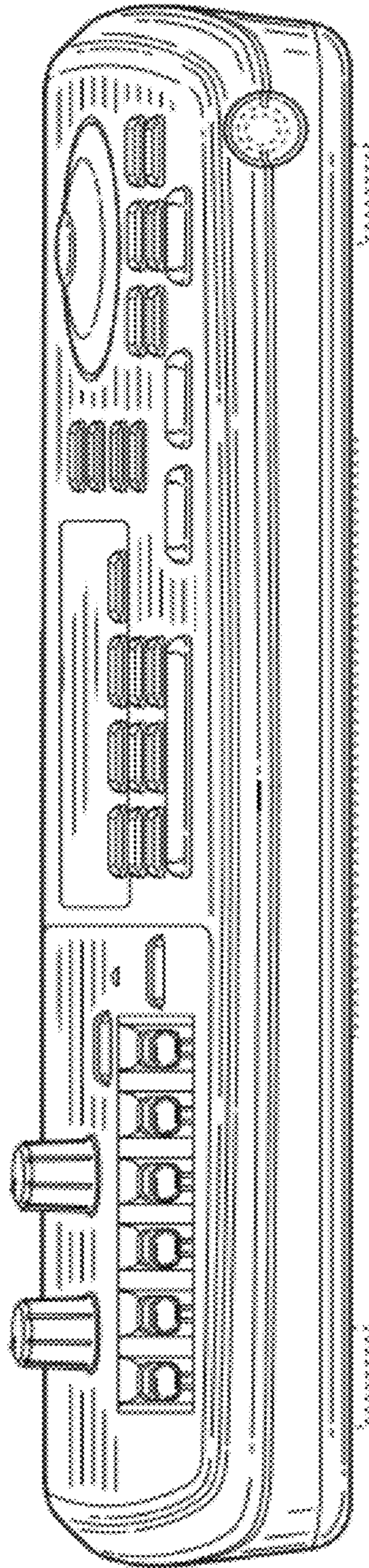


FIG. 4

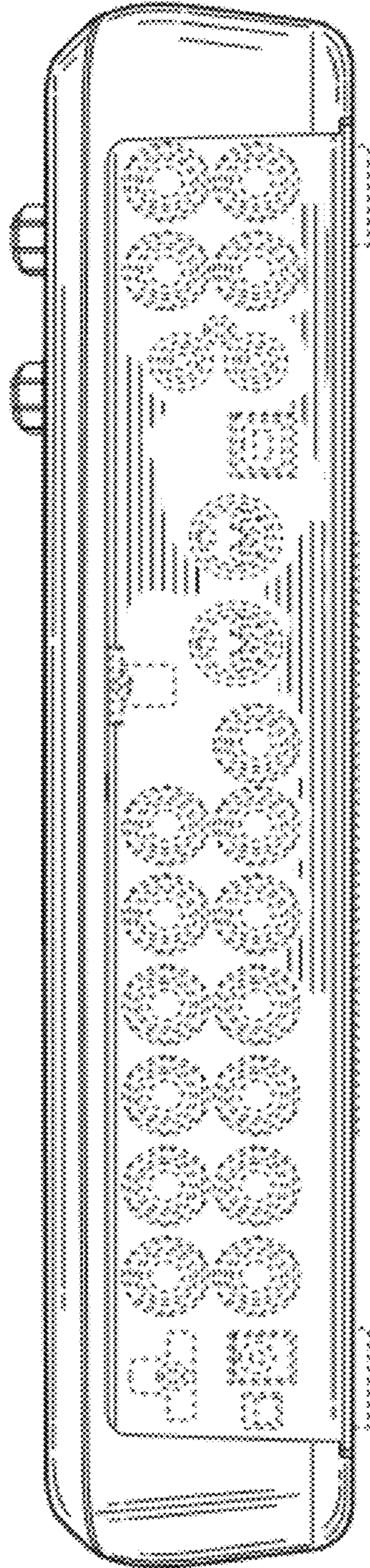


FIG. 5

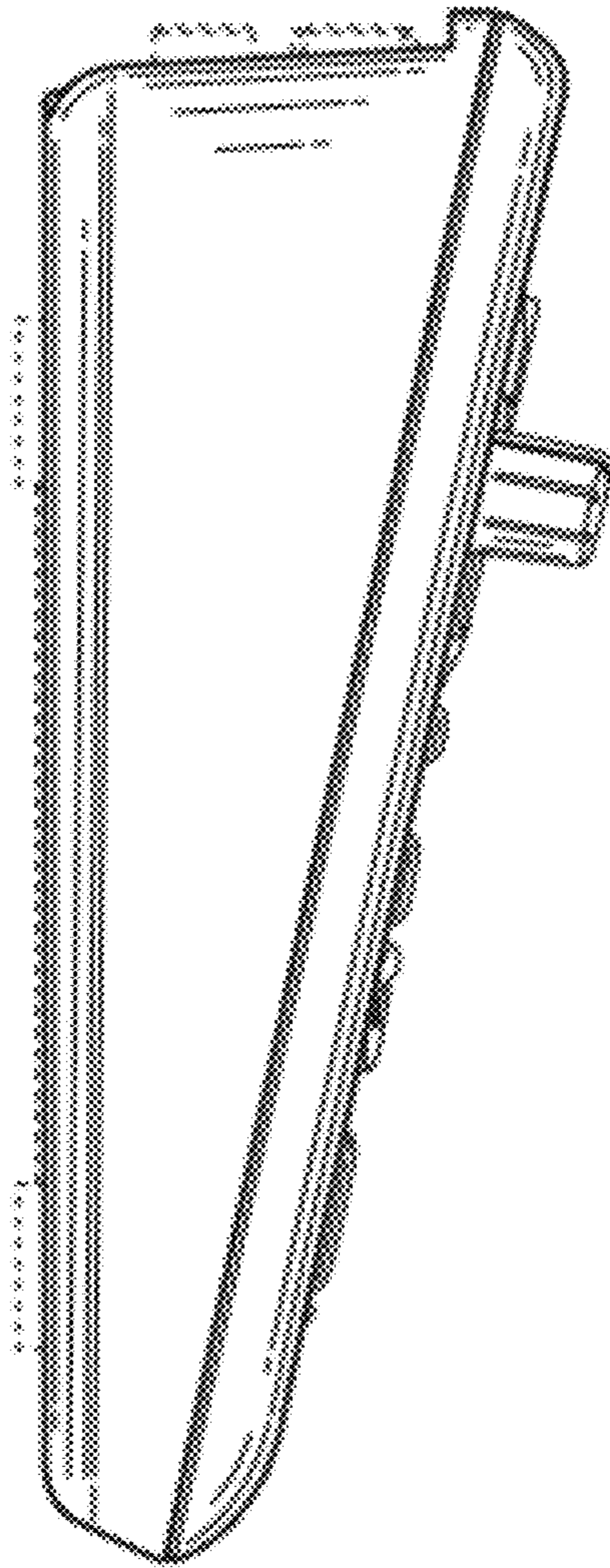


FIG. 6

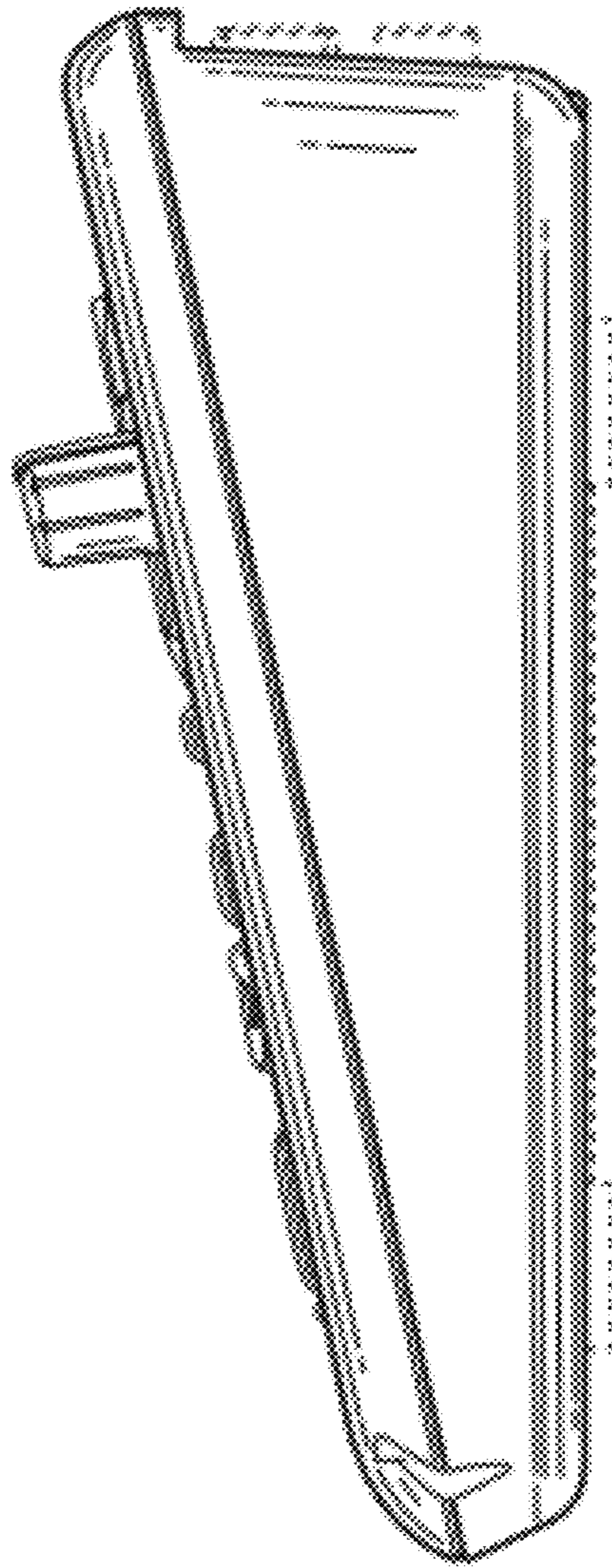


FIG. 7